

US00D505216S

(12) **United States Design Patent**  
**Chen**

(10) **Patent No.:** **US D505,216 S**  
(45) **Date of Patent:** **\*\* May 17, 2005**

(54) **SOLAR LIGHT**

(75) Inventor: **Chi Gon Chen**, Guang Zhou (CN)

(73) Assignee: **International Development Corporation**, Southlake, TX (US)

(\*\*) Term: **14 Years**

D484,631 S	12/2003	Chen	
D485,000 S	1/2004	Chen	
D485,001 S	1/2004	Chen	
D485,928 S	* 1/2004	Leung et al.	..... D26/40
D485,930 S	1/2004	Chen	
D488,576 S	4/2004	Chen	
6,719,442 B1	4/2004	Chen	
D491,302 S	* 6/2004	Krieger et al.	..... D26/40

**FOREIGN PATENT DOCUMENTS**

(21) Appl. No.: **29/200,245**

(22) Filed: **Feb. 25, 2004**

(51) **LOC (7) Cl.** ..... **26-02**

(52) **U.S. Cl.** ..... **D26/40; D26/67**

(58) **Field of Search** ..... D26/37-50; 362/157,  
362/158, 171-174, 183-208

CA	99516	6/2003
CA	99517	6/2003
CA	99518	6/2003
CA	99519	6/2003
CA	100603	2/2004

\* cited by examiner

*Primary Examiner*—Marcus A. Jackson  
(74) *Attorney, Agent, or Firm*—Gardere Wynne Sewell  
LLP; Kenneth T. Emanuelson

(56) **References Cited**

**U.S. PATENT DOCUMENTS**

D445,209 S	7/2001	Chen	
D445,210 S	7/2001	Chen	
D445,524 S	7/2001	Chen	
D445,525 S	7/2001	Pan	
D445,939 S	7/2001	Pan	
D451,620 S	12/2001	Chen	
D452,029 S	12/2001	Chen	
D457,979 S	5/2002	Chen	
D466,243 S	11/2002	Chen	
D468,470 S	1/2003	Chen	
D468,471 S	1/2003	Chen	
D469,907 S	2/2003	Chen	
D469,908 S	2/2003	Chen	
D469,909 S	2/2003	Chen	
D483,138 S	12/2003	Chen	
D483,507 S	* 12/2003	Krieger et al.	..... D26/40
D484,630 S	12/2003	Chen	

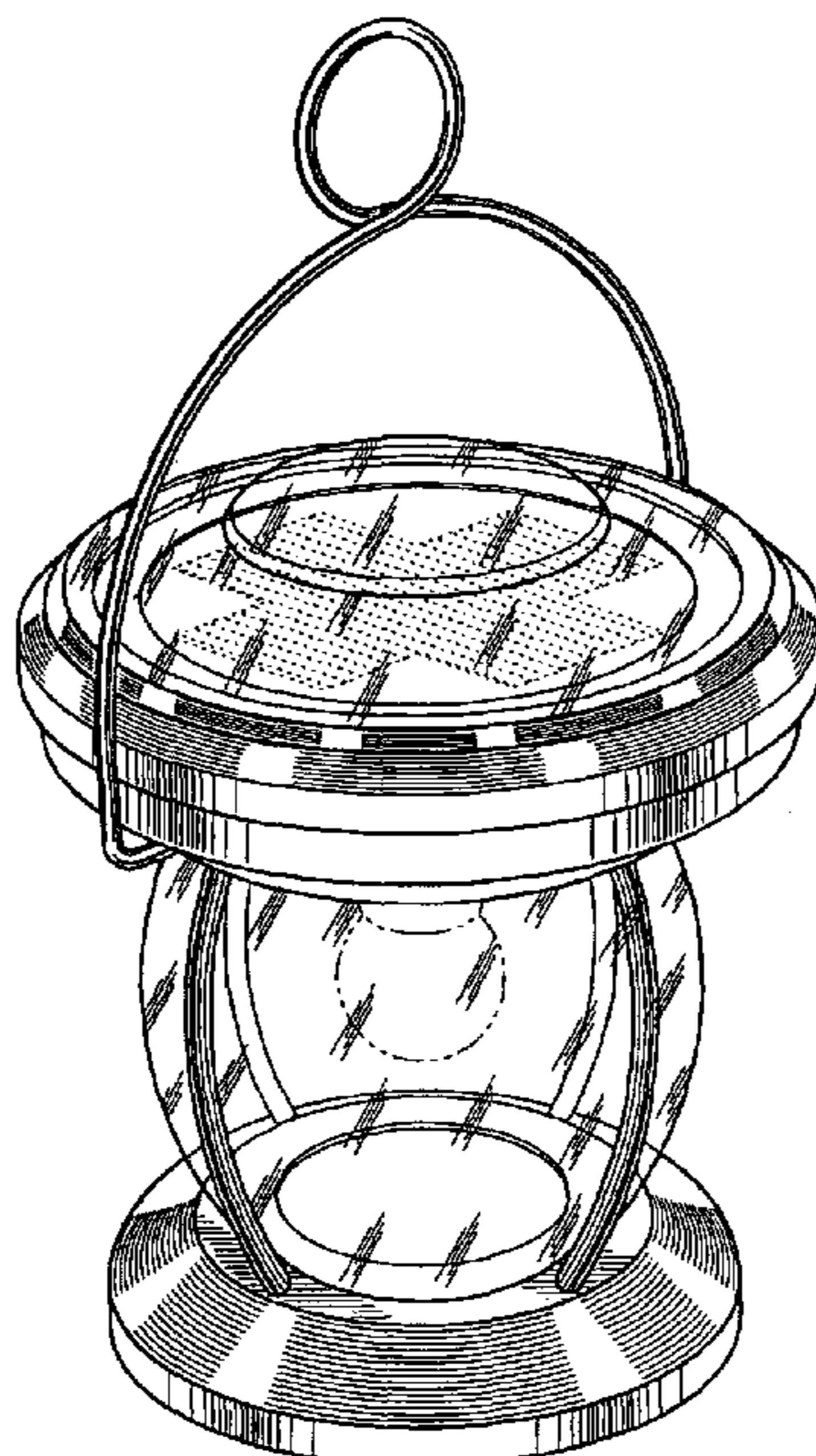
(57) **CLAIM**

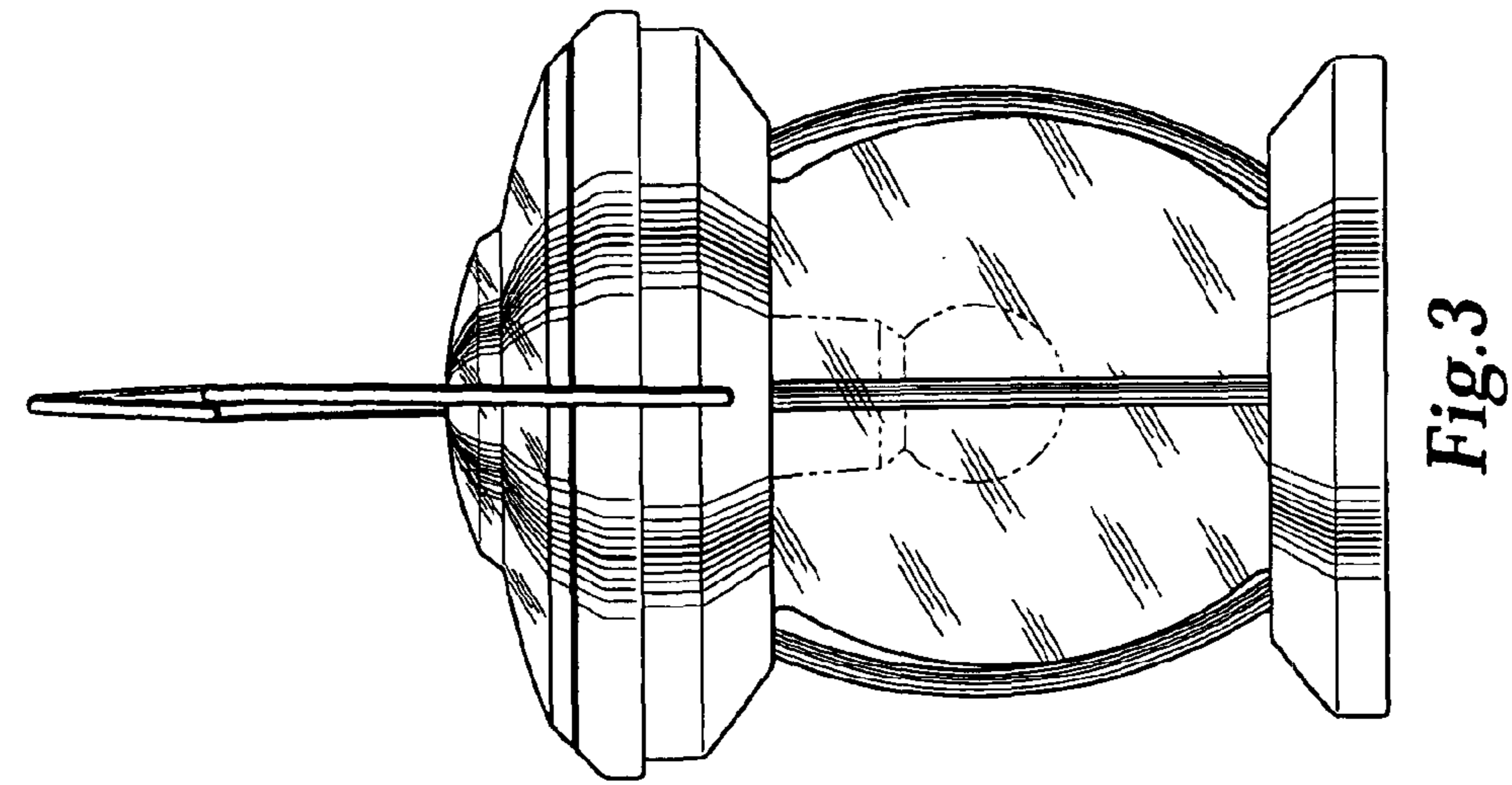
The ornamental design for a solar light, as shown and described.

**DESCRIPTION**

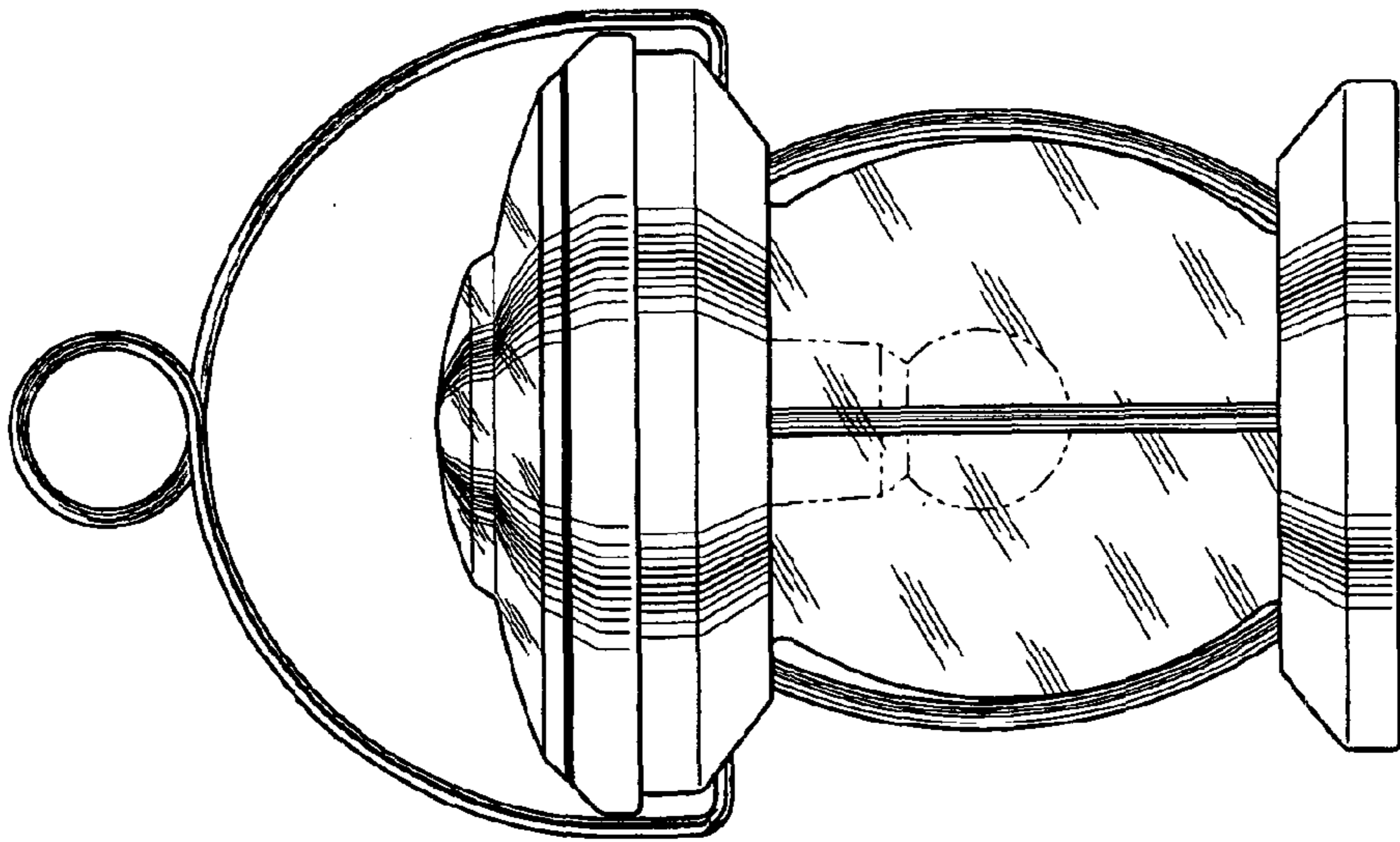
FIG. 1 is a three-dimensional view of one preferred embodiment of a solar light in accordance with my invention, with the broken line showing for illustrative purposes only and forming no part of the claimed design;  
FIG. 2 is a front view of the solar light shown in FIG. 1;  
FIG. 3 is a side view of the solar light shown in FIG. 1;  
FIG. 4 is a top view of the solar light shown in FIG. 1; and,  
FIG. 5 is a bottom view of the solar light shown in FIG. 1.

**1 Claim, 2 Drawing Sheets**

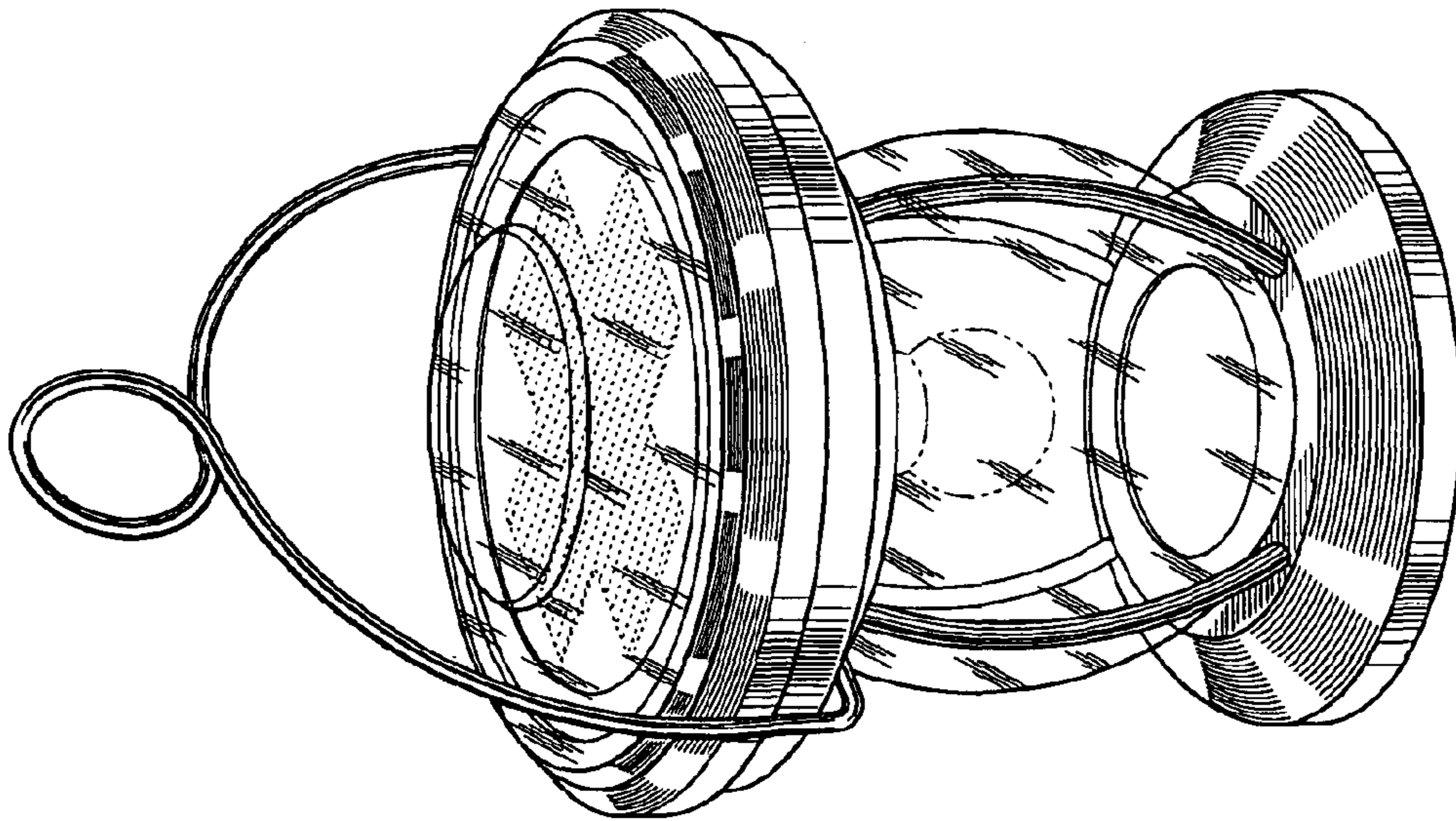




*Fig. 3*



*Fig. 2*



*Fig. 1*

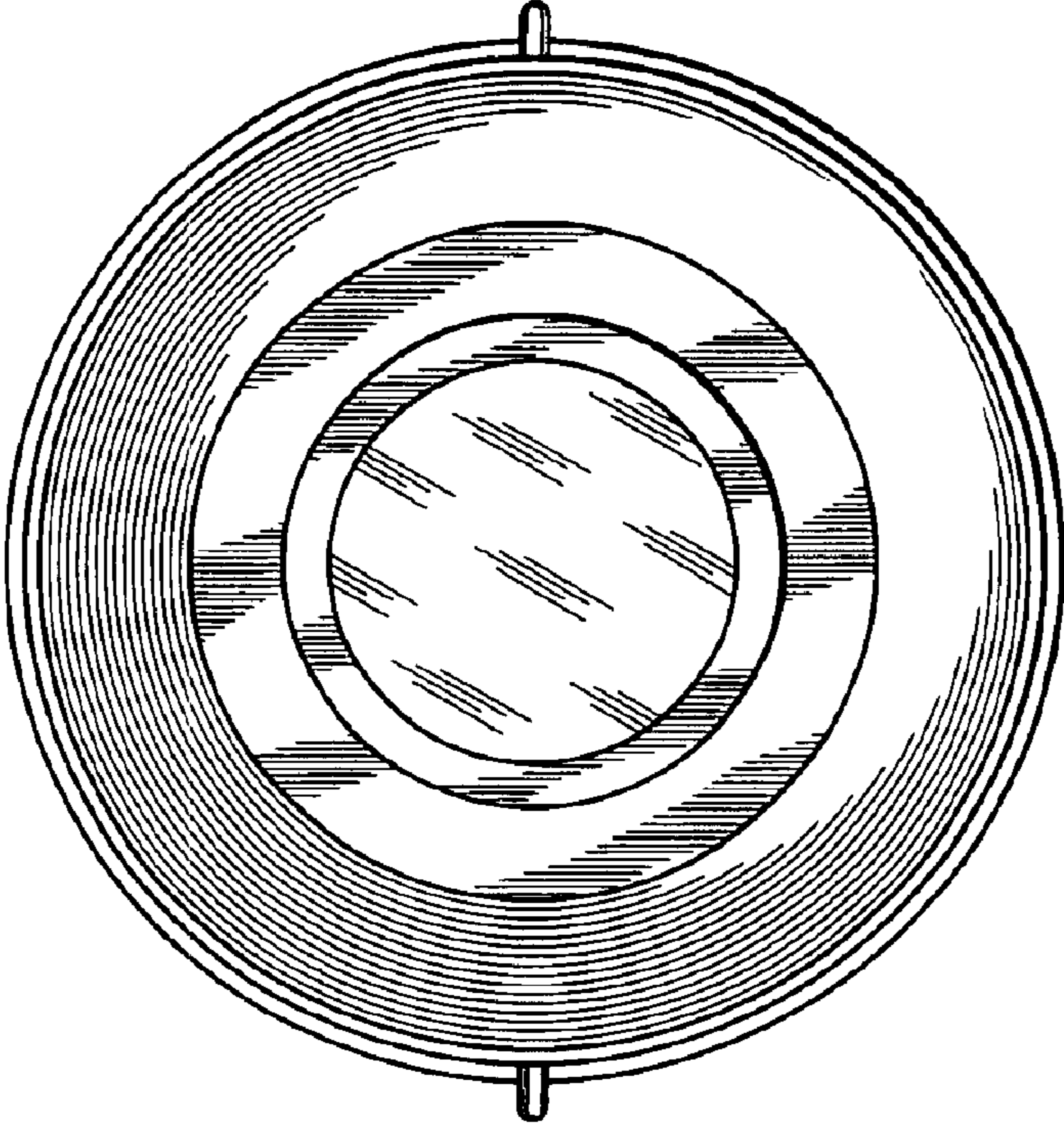


Fig. 5

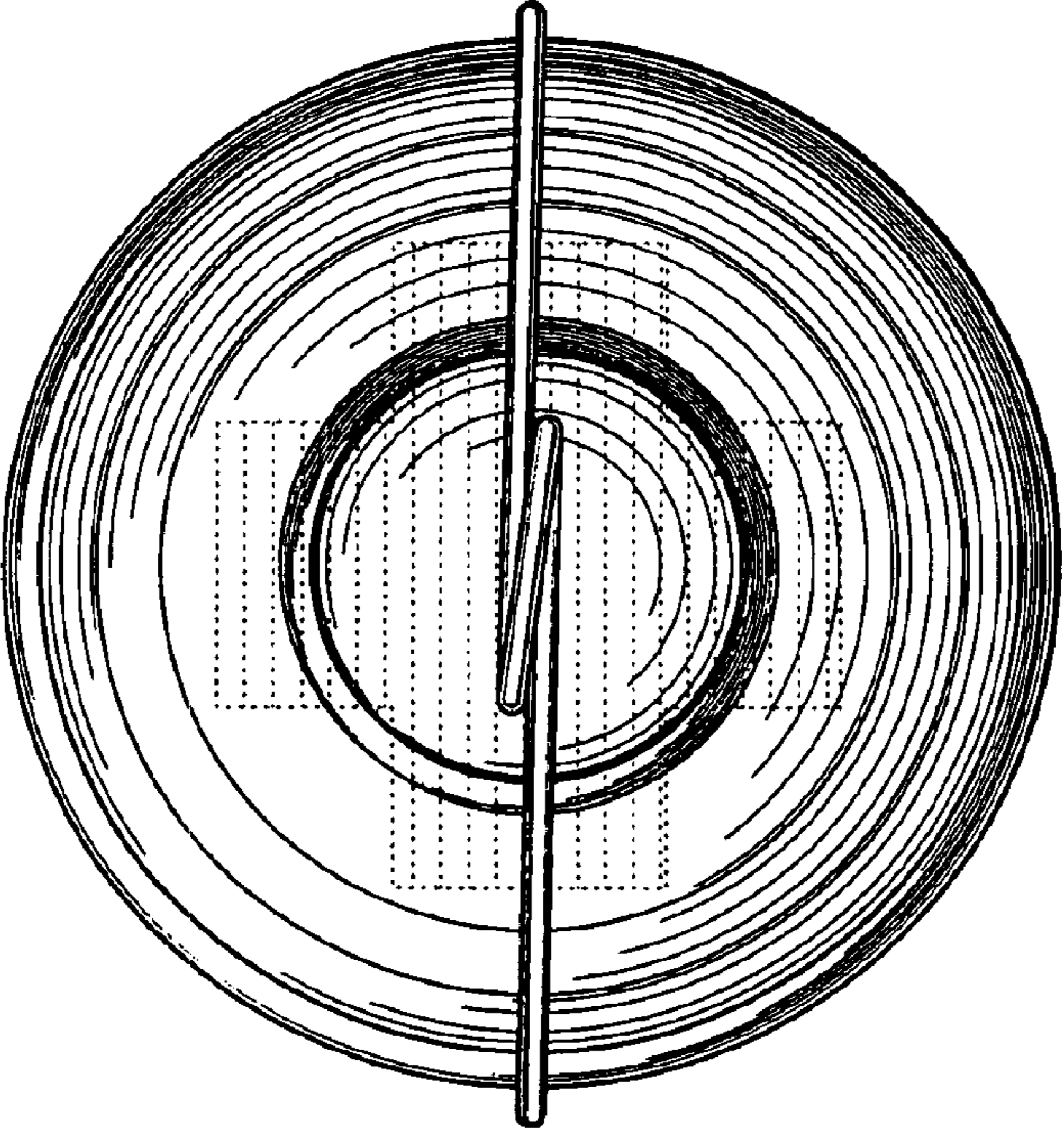


Fig. 4