

US00D505215S

(12) **United States Design Patent**
Tally

(10) **Patent No.:** **US D505,215 S**

(45) **Date of Patent:** **** May 17, 2005**

(54) **LED FLASHLIGHT**

(75) **Inventor:** **Kevin L. Tally**, Clarinda, IA (US)

(73) **Assignee:** **The Lisle Corporation**, Clarinda, IA (US)

(**) **Term:** **14 Years**

(21) **Appl. No.:** **29/193,549**

(22) **Filed:** **Nov. 10, 2003**

(51) **LOC (7) Cl.** **26-02**

(52) **U.S. Cl.** **D26/37**

(58) **Field of Search** D26/37-50; 362/157, 362/158, 171-174, 183-208

(56) **References Cited**

U.S. PATENT DOCUMENTS

4,777,582 A	10/1988	Sharrah	
4,888,670 A	12/1989	Sharrah	
5,601,359 A	2/1997	Sharrah et al.	
D380,858 S	7/1997	Sharrah et al.	
D381,812 S	8/1997	Sharrah et al.	
5,674,000 A	10/1997	Kalley	
5,742,066 A	4/1998	Cavestri	
5,788,364 A	8/1998	Cooper et al.	
D409,777 S	5/1999	Sharrah et al.	
5,959,306 A	9/1999	Kalley et al.	
5,975,712 A	11/1999	Shiao	
D427,347 S	6/2000	Sharrah et al.	
D427,702 S	7/2000	Sharrah et al.	
D430,321 S *	8/2000	Sharrah D26/37
6,200,134 B1	3/2001	Kovac et al.	
D445,928 S	7/2001	Sharrah et al.	
D452,024 S	12/2001	Sharrah	

6,355,935 B1	3/2002	Kalley et al.	
6,402,340 B1	6/2002	Sharrah et al.	
D465,865 S *	11/2002	Hamilton et al. D26/37
6,491,408 B1	12/2002	Cooper et al.	
D485,629 S *	1/2004	Chan D26/37
D486,930 S *	2/2004	Stoddard et al. D26/37

OTHER PUBLICATIONS

Professional Tool & Equipment Distributor, Apr. 2003, vol. 11, #2, p. 9, Stylus Reach LED flashlight.
[Http://www.uview.com/What_s_New/body_what_s_new.html](http://www.uview.com/What_s_New/body_what_s_new.html), Apr. 9, 2003, #413050, Flex-Lite.
[Http://www.mastercool.com/press_releases.html](http://www.mastercool.com/press_releases.html), Apr. 9, 2003, #53512, Flex 'n Glow Mini UV Light.
[Http://www.mastercool.com/homepage.html](http://www.mastercool.com/homepage.html), Apr. 9, 2003, #53515, Mach IV Flexible Quad UV Light.

* cited by examiner

Primary Examiner—Marcus A. Jackson
(74) *Attorney, Agent, or Firm*—Banner & Witcoff, Ltd.

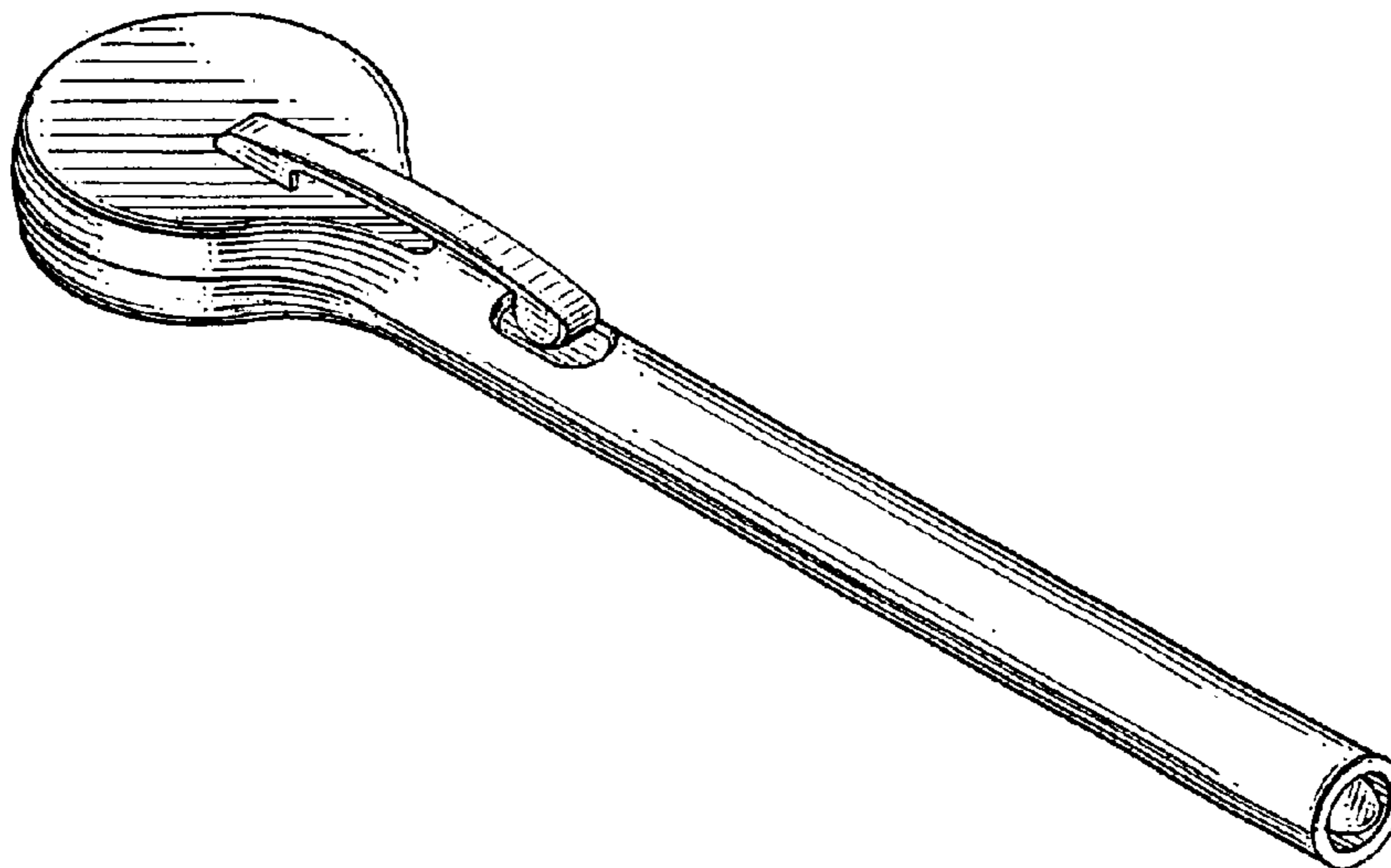
(57) **CLAIM**

A design for a LED flashlight, as shown and described.

DESCRIPTION

FIG. 1 is an isometric view of the LED flashlight of the invention;
FIG. 2 is a front elevation view of the LED flashlight;
FIG. 3 is a side elevation view of the design;
FIG. 4 is a back side elevation view of the LED flashlight;
FIG. 5 is an end view as viewed from the bottom end of FIG. 2; and,
FIG. 6 is a top end view of the LED flashlight of FIG. 2.

1 Claim, 1 Drawing Sheet



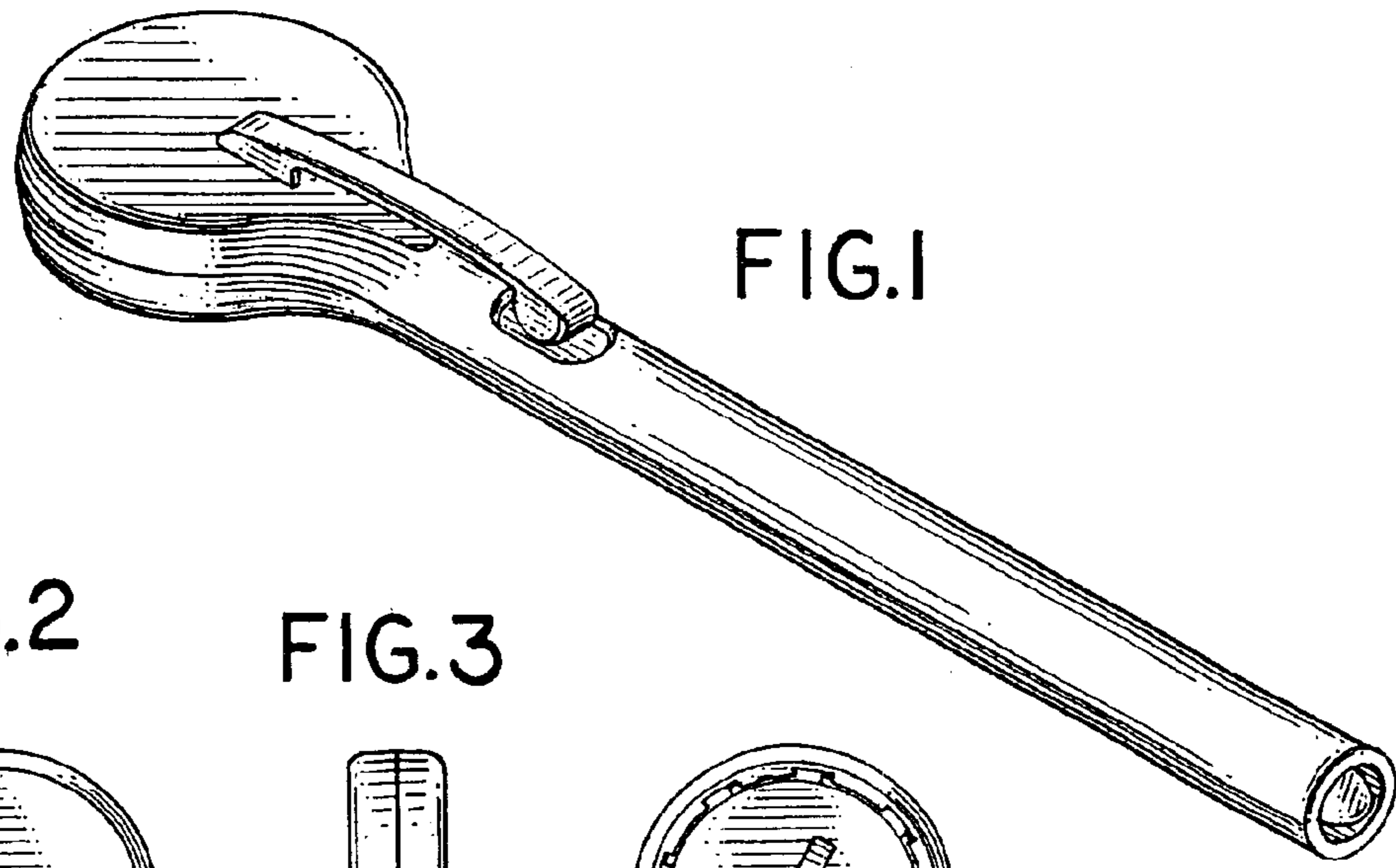


FIG. 1

FIG. 2

FIG. 3

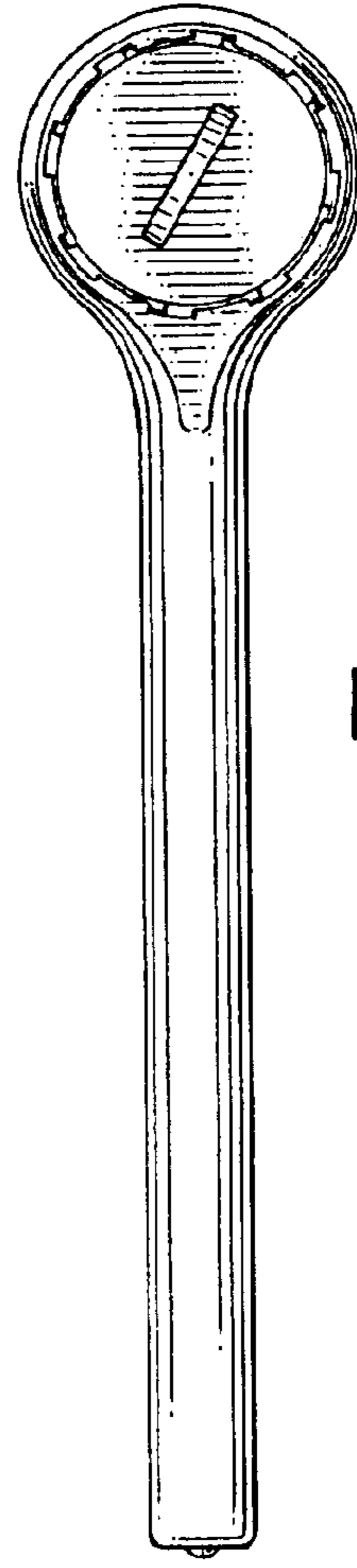
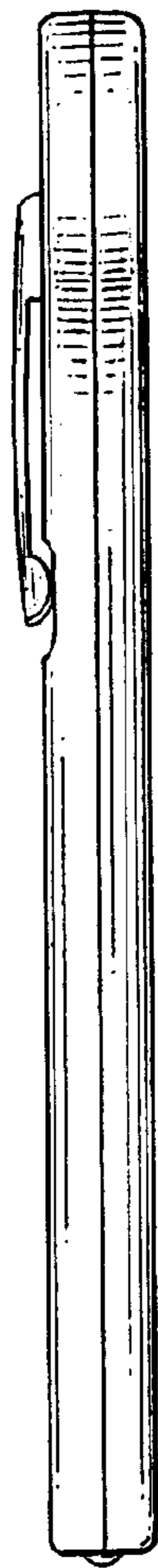
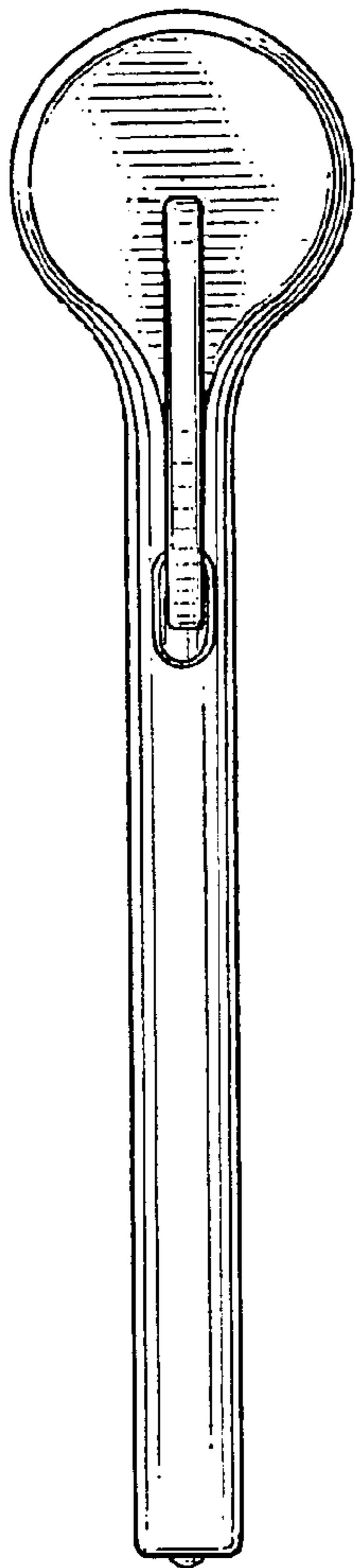


FIG. 4

FIG. 5

FIG. 6

