

US00D505214S

(12) **United States Design Patent**
Yamagishi

(10) **Patent No.:** **US D505,214 S**
(45) **Date of Patent:** **** May 17, 2005**

(54) **FRONT COMBINATION LAMP FOR AN AUTOMOBILE**

(75) Inventor: **Masahiko Yamagishi, Saitama (JP)**

(73) Assignee: **Honda Motor Co., Ltd., Tokyo (JP)**

(**) Term: **14 Years**

(21) Appl. No.: **29/197,577**

(22) Filed: **Jan. 20, 2004**

(30) **Foreign Application Priority Data**

Jul. 22, 2003 (JP) 2003-021197

(51) **LOC (7) Cl.** **26-06**

(52) **U.S. Cl.** **D26/28**

(58) **Field of Search** D26/28-36; 362/459-468,
362/473-476, 485-487

(56) **References Cited**

U.S. PATENT DOCUMENTS

D486,254 S * 2/2004 Kato et al. D26/28
D490,917 S * 6/2004 Lin D26/28

FOREIGN PATENT DOCUMENTS

JP 1110963 6/2001
JP 1189699 11/2003

* cited by examiner

Primary Examiner—Marcus A. Jackson

(74) *Attorney, Agent, or Firm*—Westerman, Hattori, Daniels & Adrian, LLP

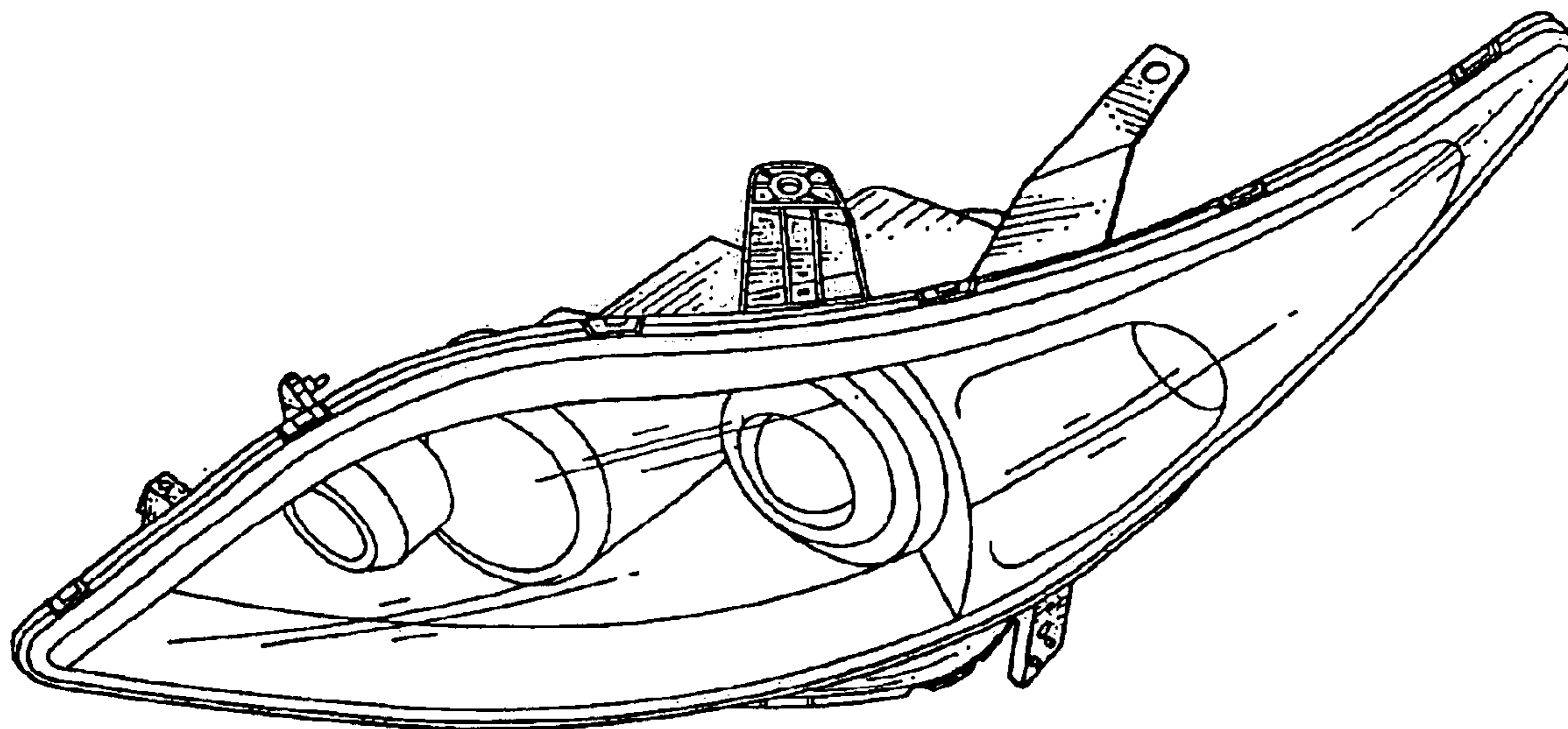
(57) **CLAIM**

The ornamental design for, front combination lamp for an automobile, as shown and described.

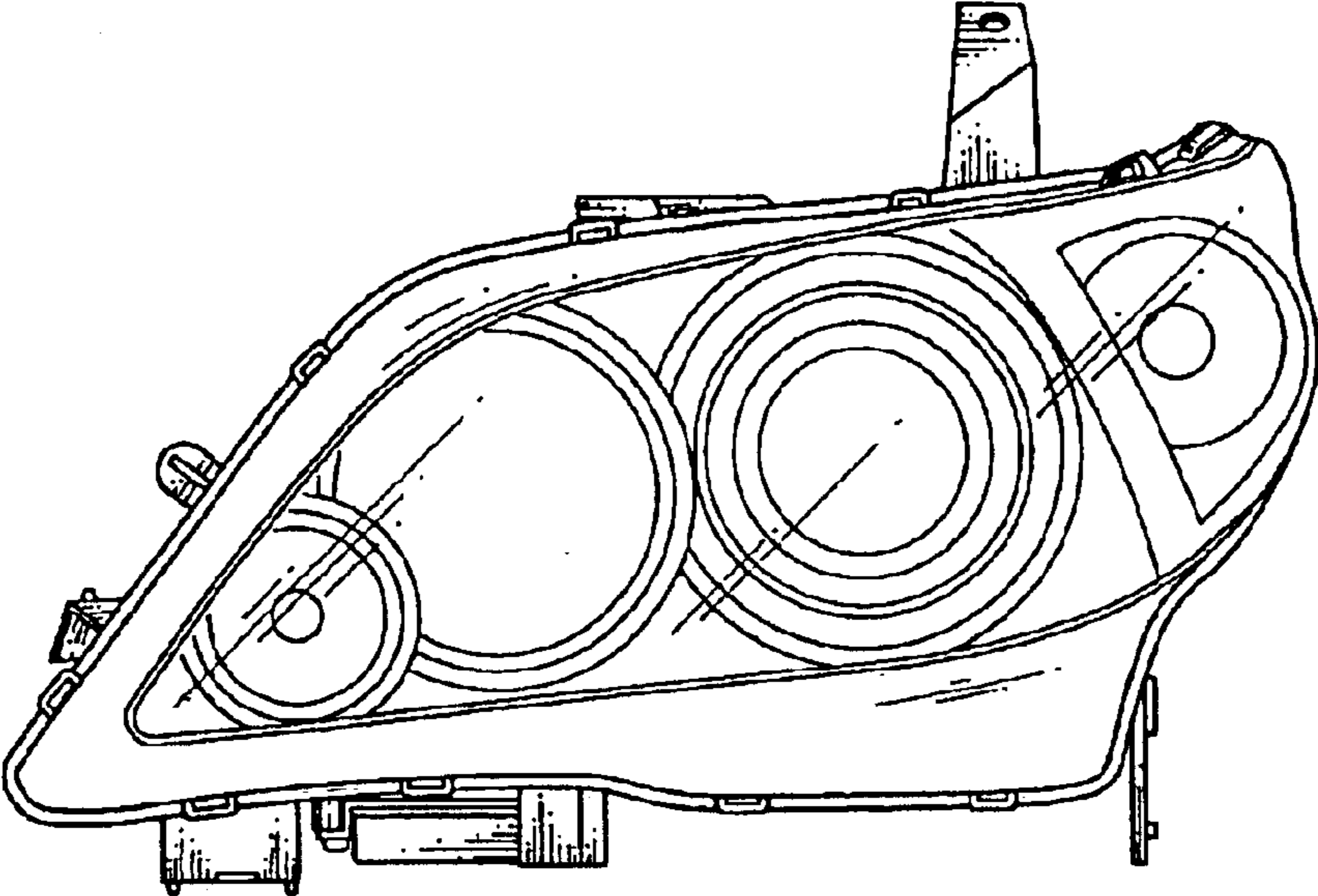
DESCRIPTION

FIG. 1 is a front elevational view of a rear combination lamp for an automobile showing our new design; FIG. 2 is a rear elevational view thereof; FIG. 3 is a top plan view thereof; FIG. 4 is a bottom plan view thereof; FIG. 5 is a right side elevation view thereof; FIG. 6 is a left side elevation view thereof; FIG. 7 is a perspective view thereof; and, FIG. 8 is another perspective view thereof.

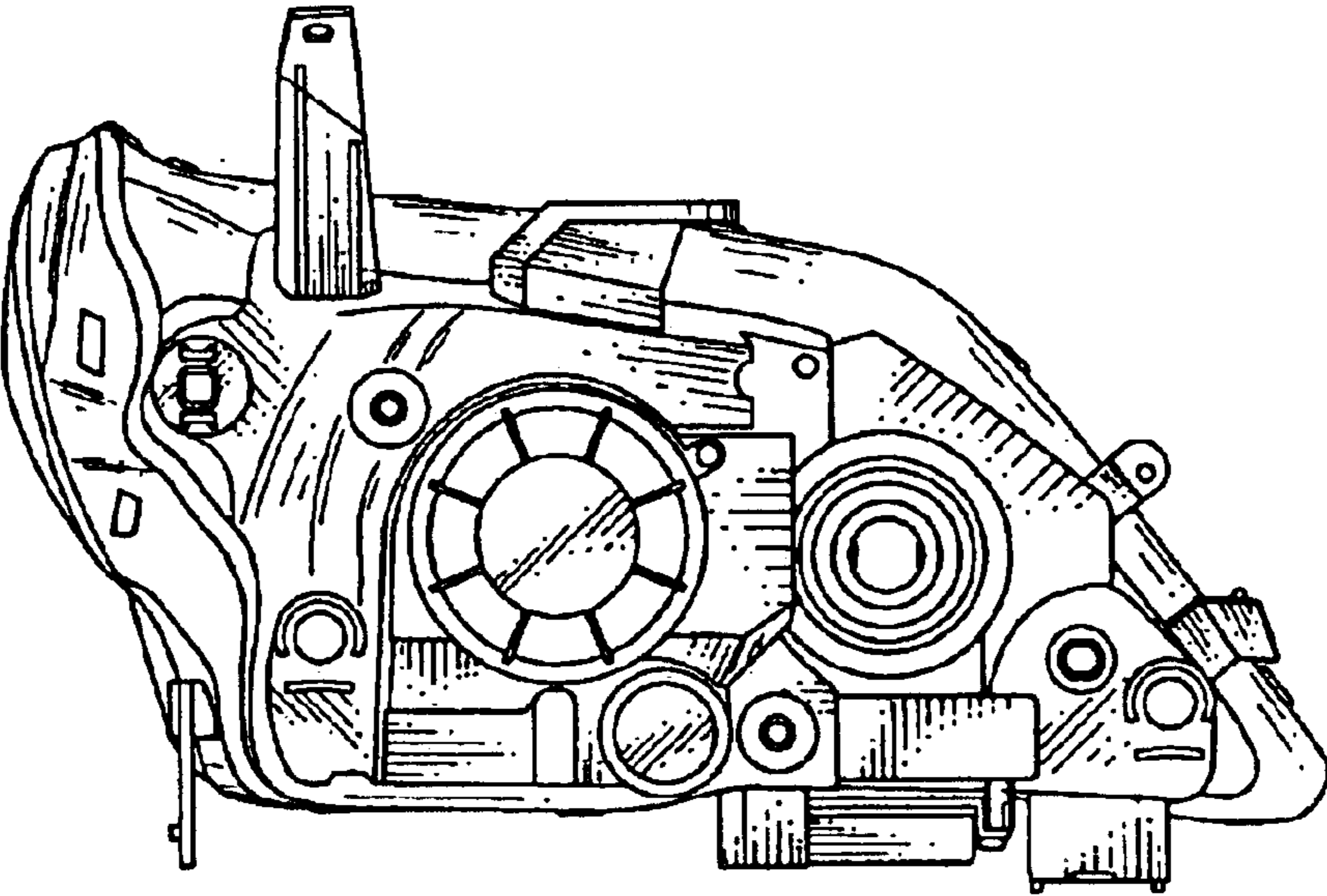
1 Claim, 7 Drawing Sheets



F I G. 1



F I G. 2



F I G. 3

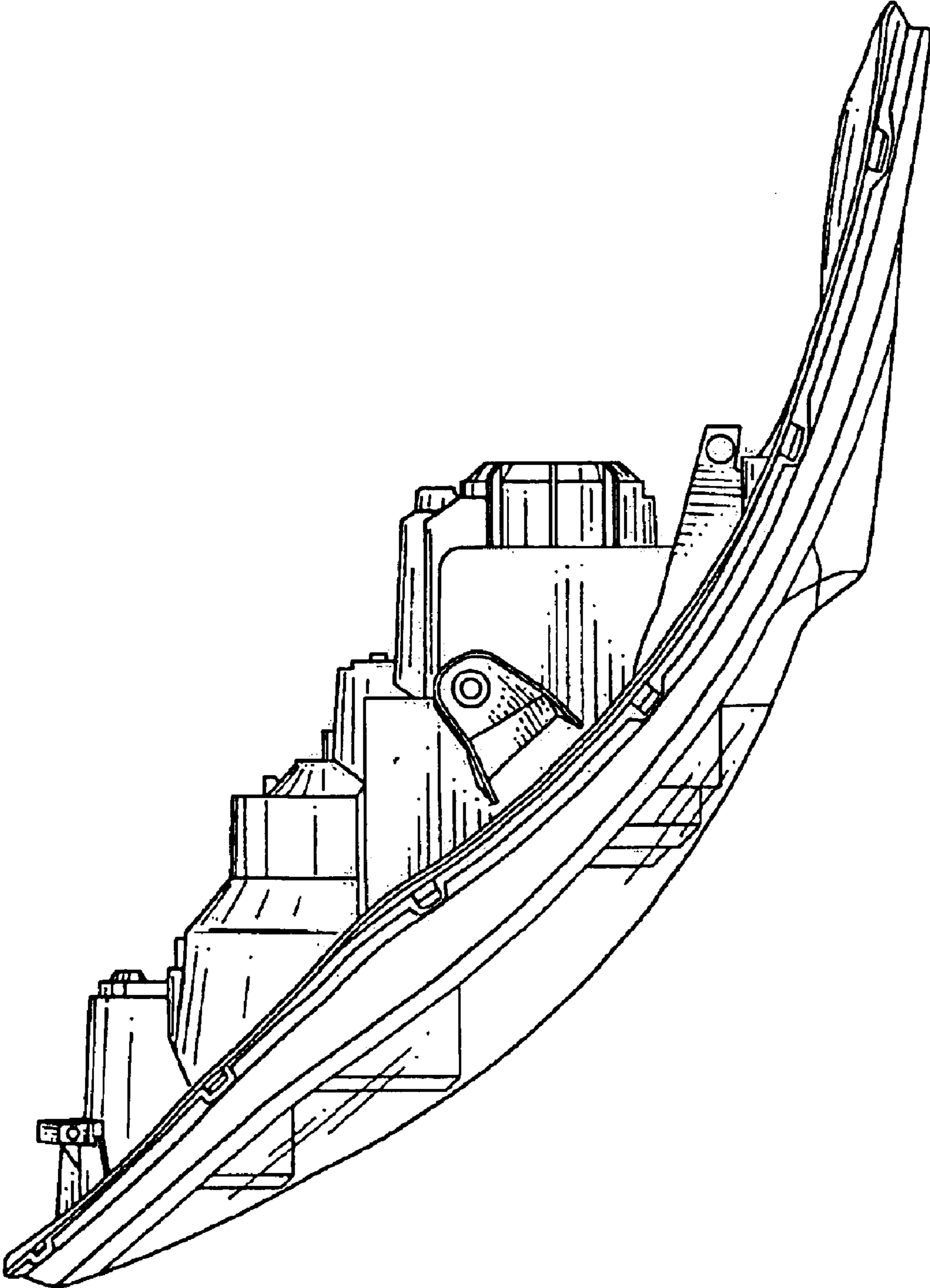


FIG. 4

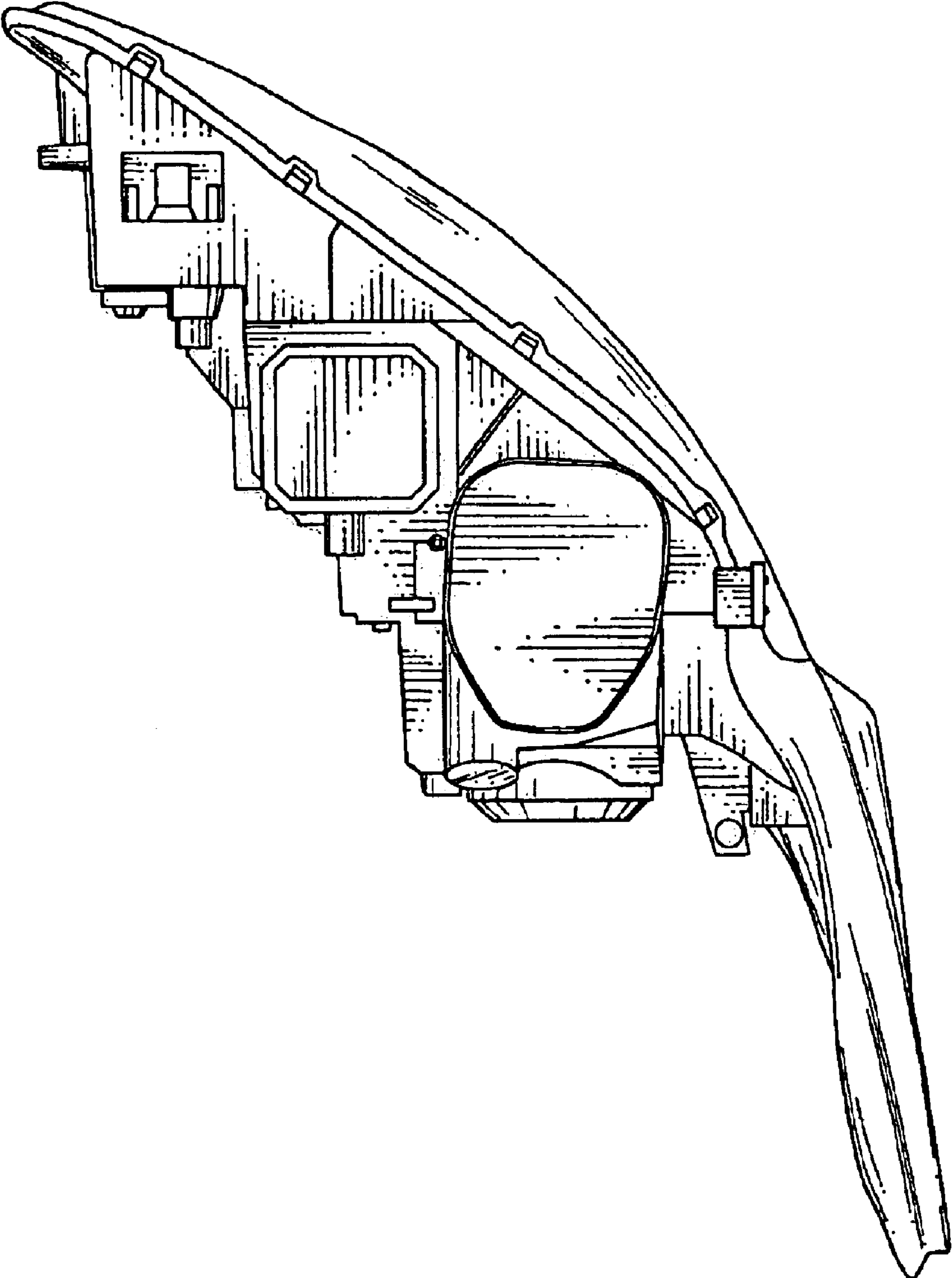
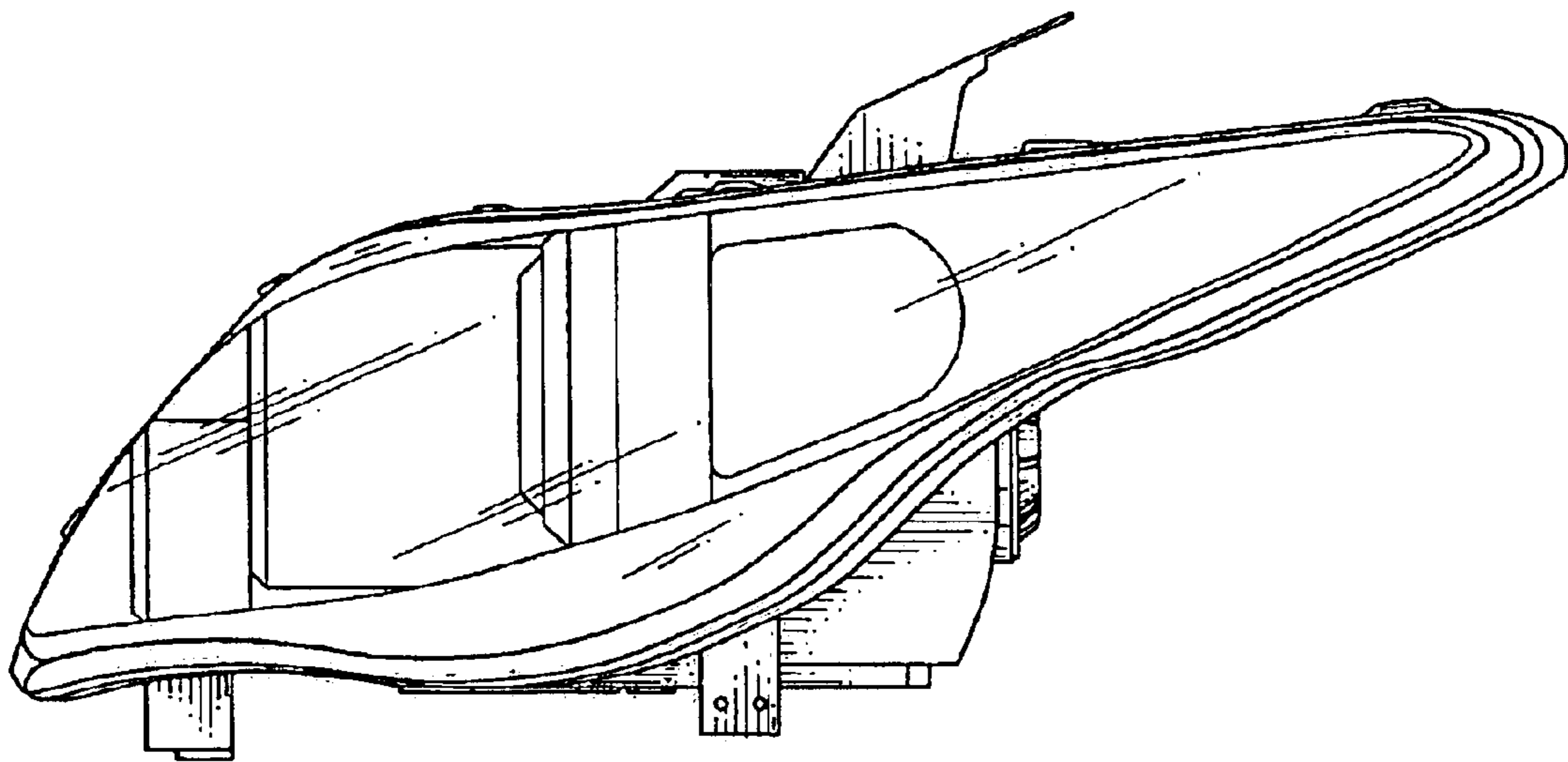


FIG. 5



F I G. 6

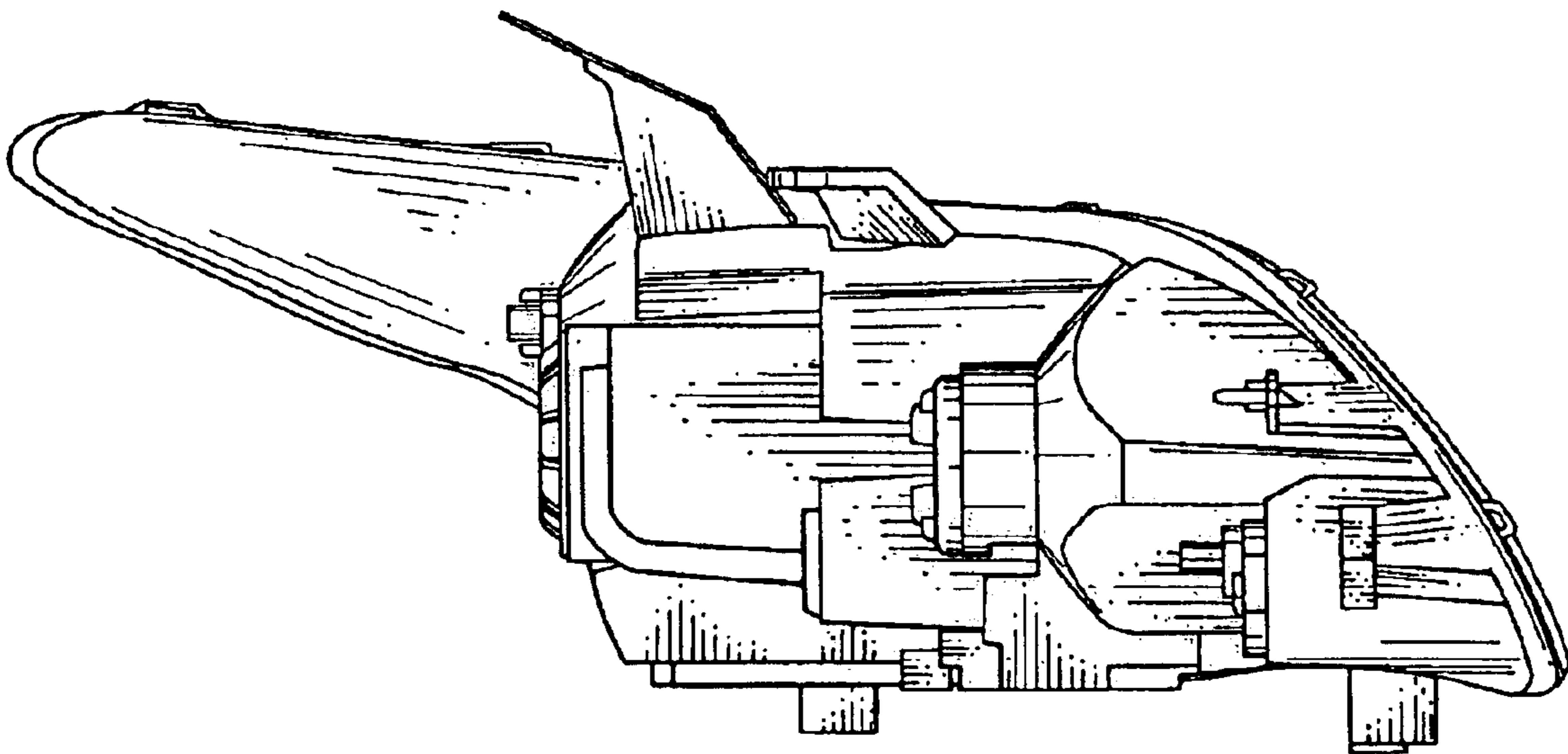
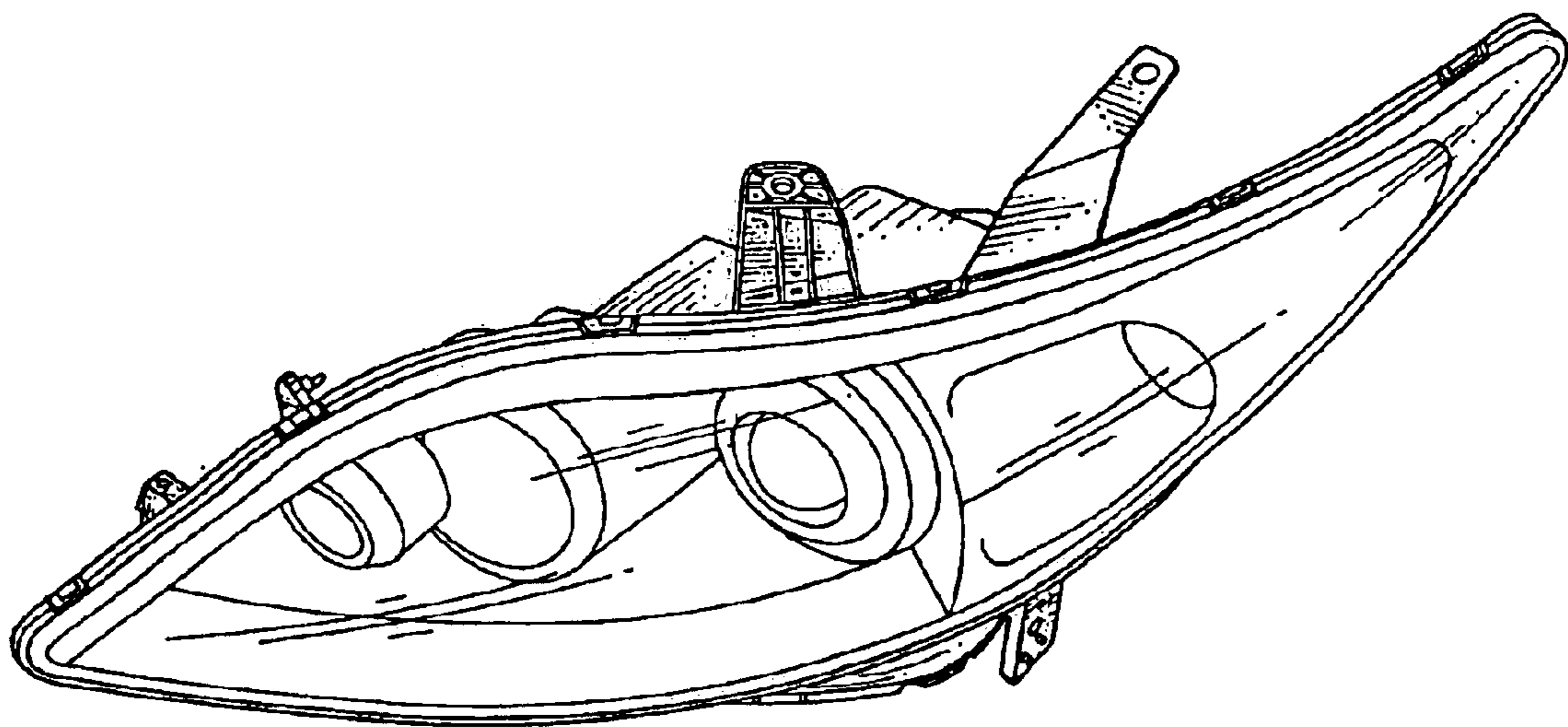


FIG. 7



F I G. 8

