

US00D505207S

(12) **United States Design Patent**  
**Waldmann**

(10) **Patent No.:** **US D505,207 S**  
(45) **Date of Patent:** **\*\* May 17, 2005**

(54) **MEDICAL LIGHT ASSEMBLY**  
(75) Inventor: **Gerhard Waldmann**, Dauchingen (DE)  
(73) Assignee: **Herbert Waldmann GmbH & Co.**  
(DE)  
(\*\*) Term: **14 Years**

(21) Appl. No.: **29/157,492**  
(22) Filed: **Mar. 20, 2002**

(30) **Foreign Application Priority Data**  
Sep. 21, 2001 (DE) ..... 4 01 08 433

(51) **LOC (7) Cl.** ..... **28-03**  
(52) **U.S. Cl.** ..... **D24/210**  
(58) **Field of Search** ..... D24/210, 209,  
D24/200; 607/88, 80, 95, 94, 90, 91, 93;  
250/493.1, 504 R, 494.1; 362/572, 551,  
555, 219, 217, 220, 250; D26/64

(56) **References Cited**  
**U.S. PATENT DOCUMENTS**

D226,021 S \* 1/1973 Haft ..... D24/210  
D257,173 S \* 9/1980 Francian et al. .... D24/200  
4,740,707 A \* 4/1988 Thaw ..... D24/210  
4,866,284 A \* 9/1989 Frankena et al. .... 250/494.1

D348,107 S \* 6/1994 Wilkinson ..... D24/210  
6,005,254 A \* 12/1999 Wijtsma et al. .... 250/494.1  
6,645,230 B2 \* 11/2003 Whitehurst ..... 607/88  
2001/0023363 A1 \* 9/2001 Harth et al. .... 607/90  
2003/0088296 A1 \* 5/2003 Waldmann ..... 607/88  
2004/0122492 A1 \* 6/2004 Harth et al. .... 607/88

\* cited by examiner

*Primary Examiner*—Ian Simmons  
(74) *Attorney, Agent, or Firm*—Eugene E. Renz, Jr.

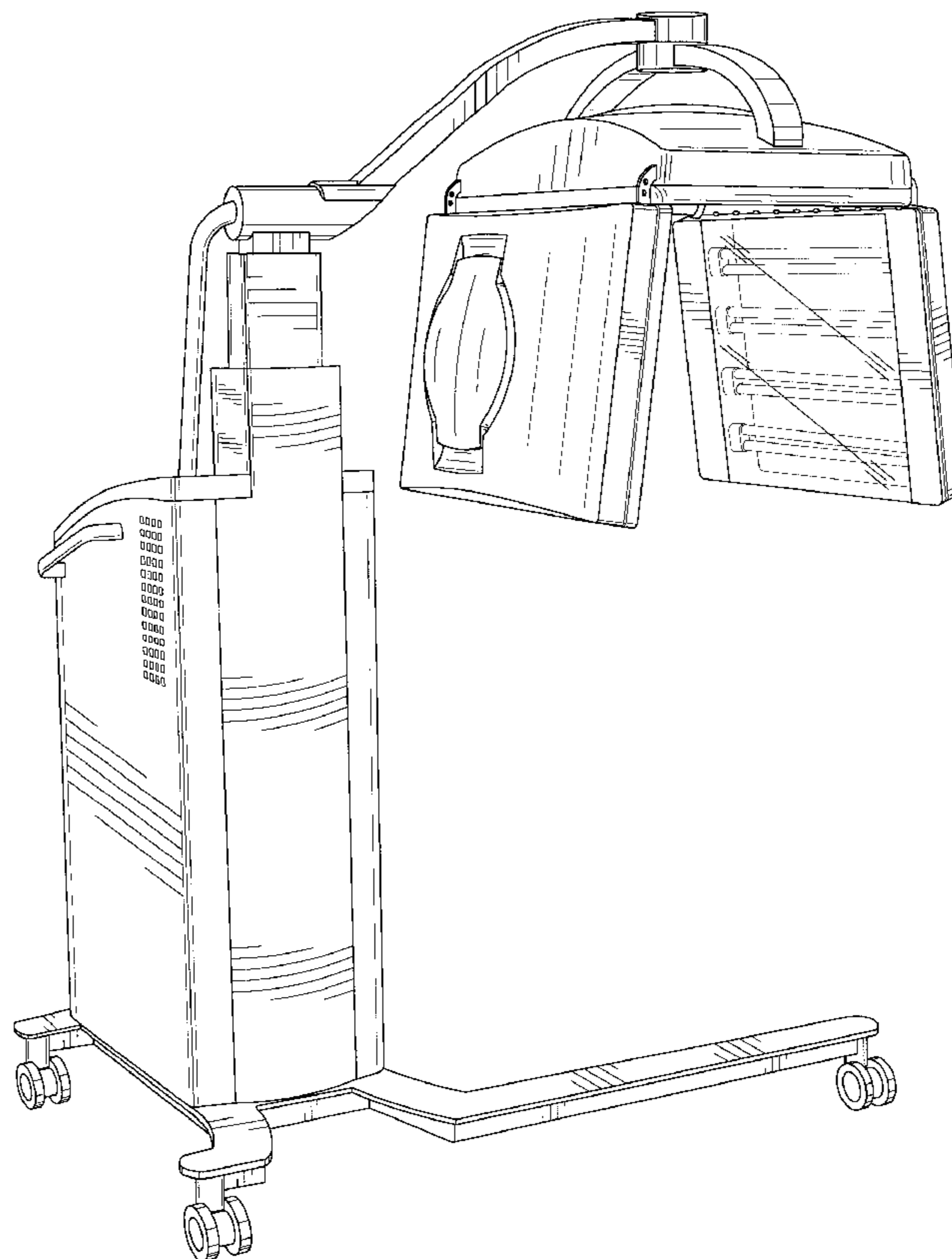
(57) **CLAIM**

The ornamental design for photo dynamic therapy apparatus, as shown and described.

**DESCRIPTION**

FIG. 1 is a perspective view of my design for a photo dynamic therapy apparatus.  
FIG. 2 is a perspective view of my design for a photo dynamic therapy apparatus.  
FIG. 3 is a side elevational view of my design for a photo dynamic therapy apparatus.  
FIG. 4 is a top plan view of my design for a photo dynamic therapy apparatus; and,  
FIG. 5 is a front elevational view of my design for a photo dynamic therapy apparatus.

**1 Claim, 5 Drawing Sheets**



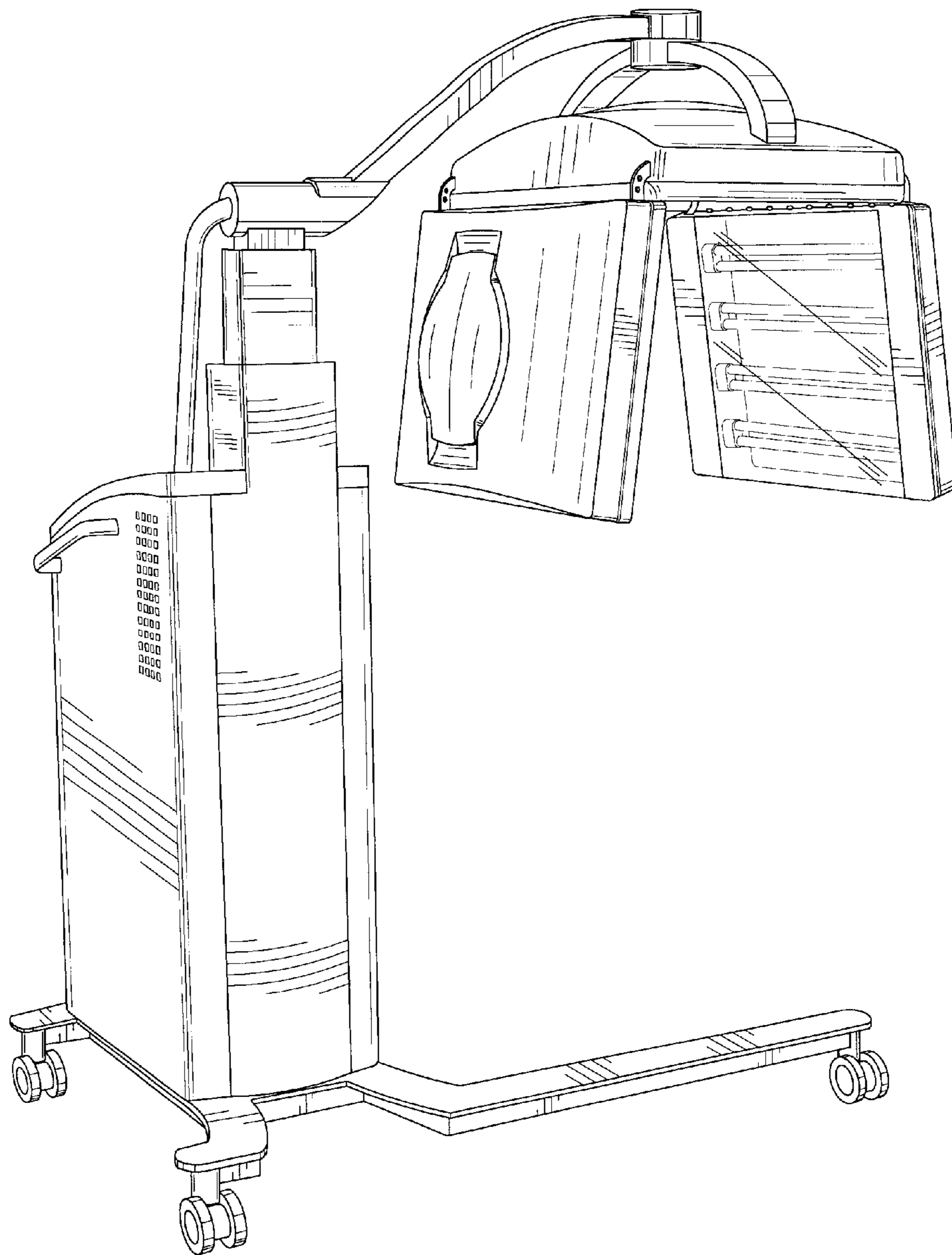


FIG. 1

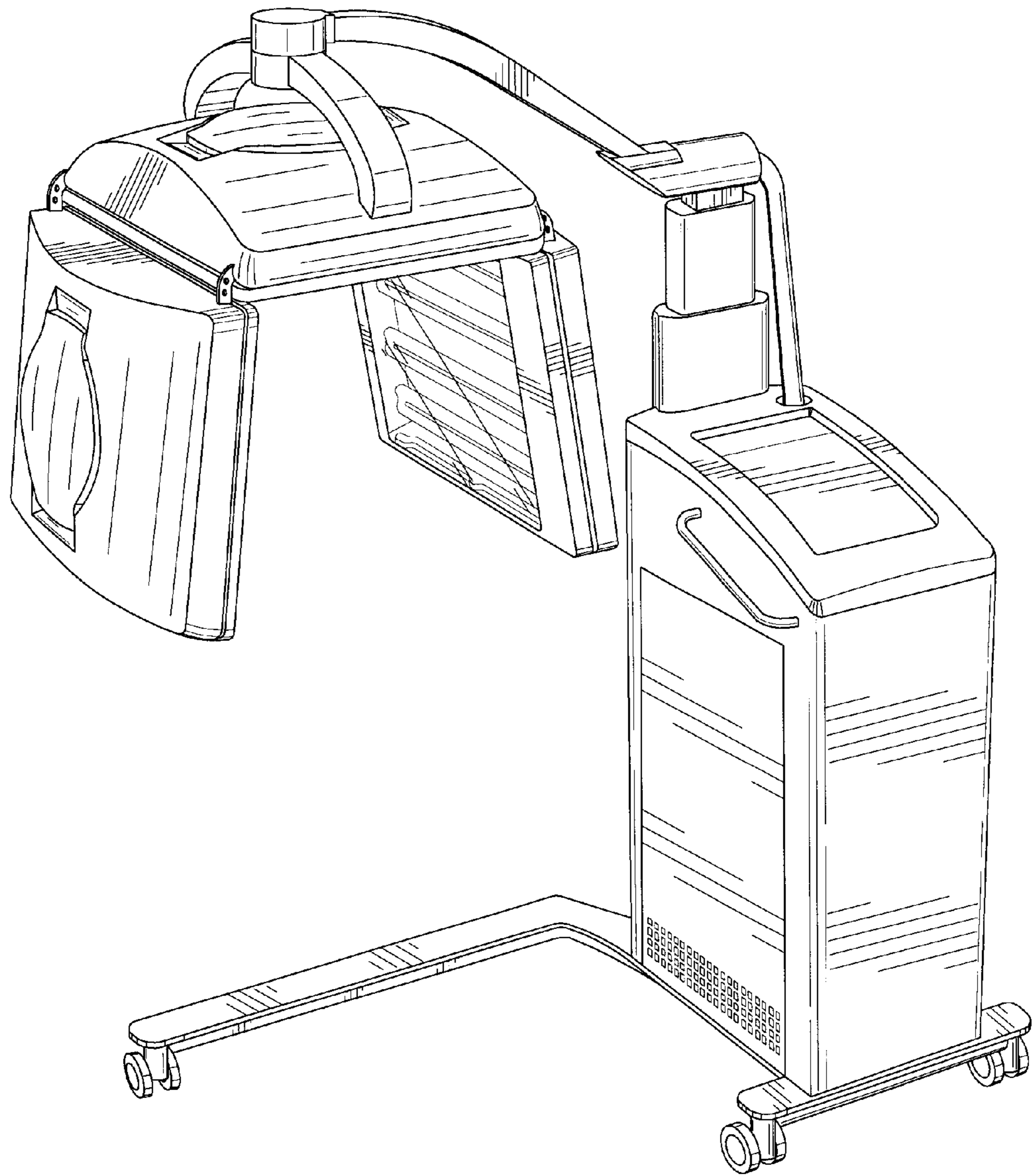


FIG. 2

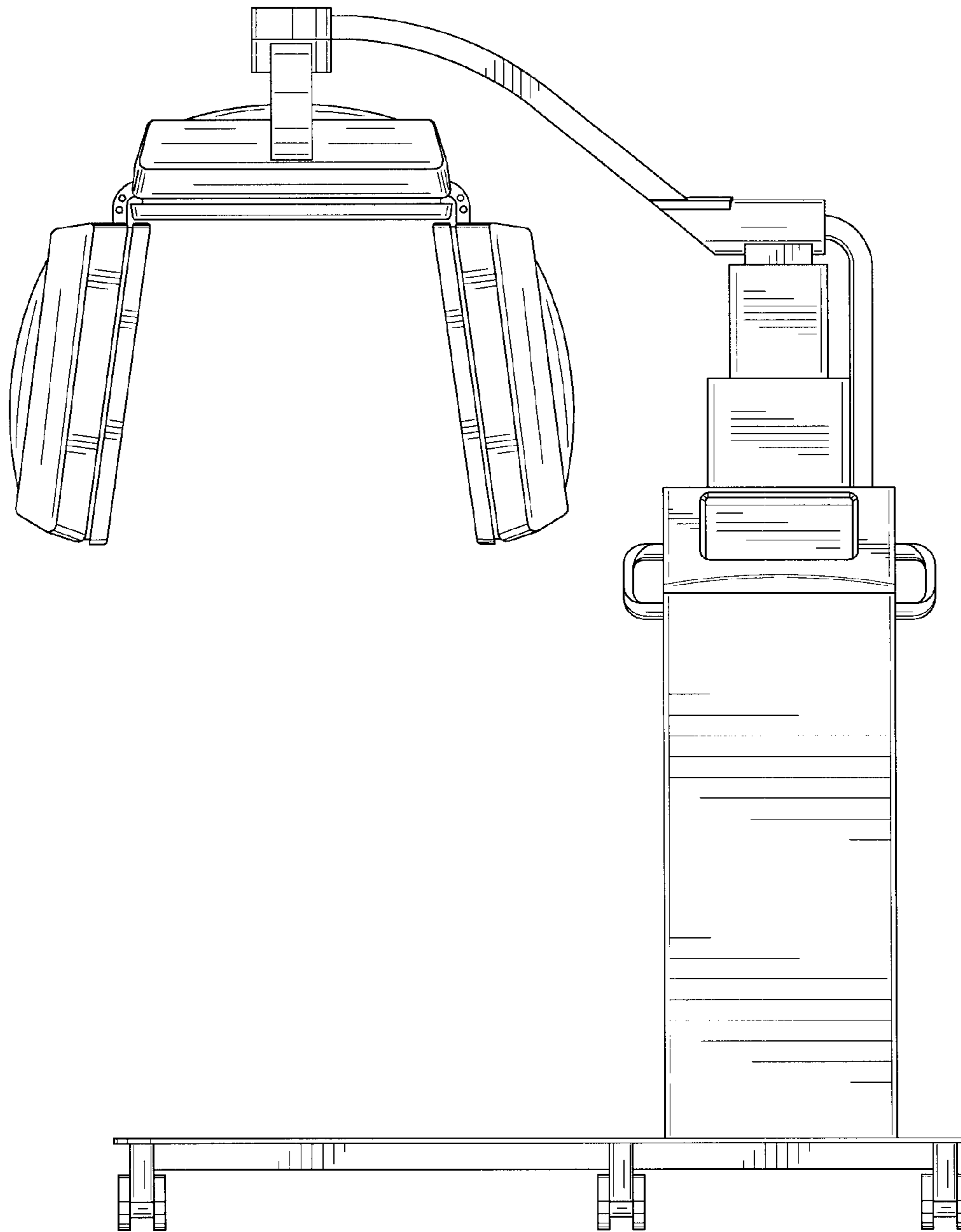


FIG. 3

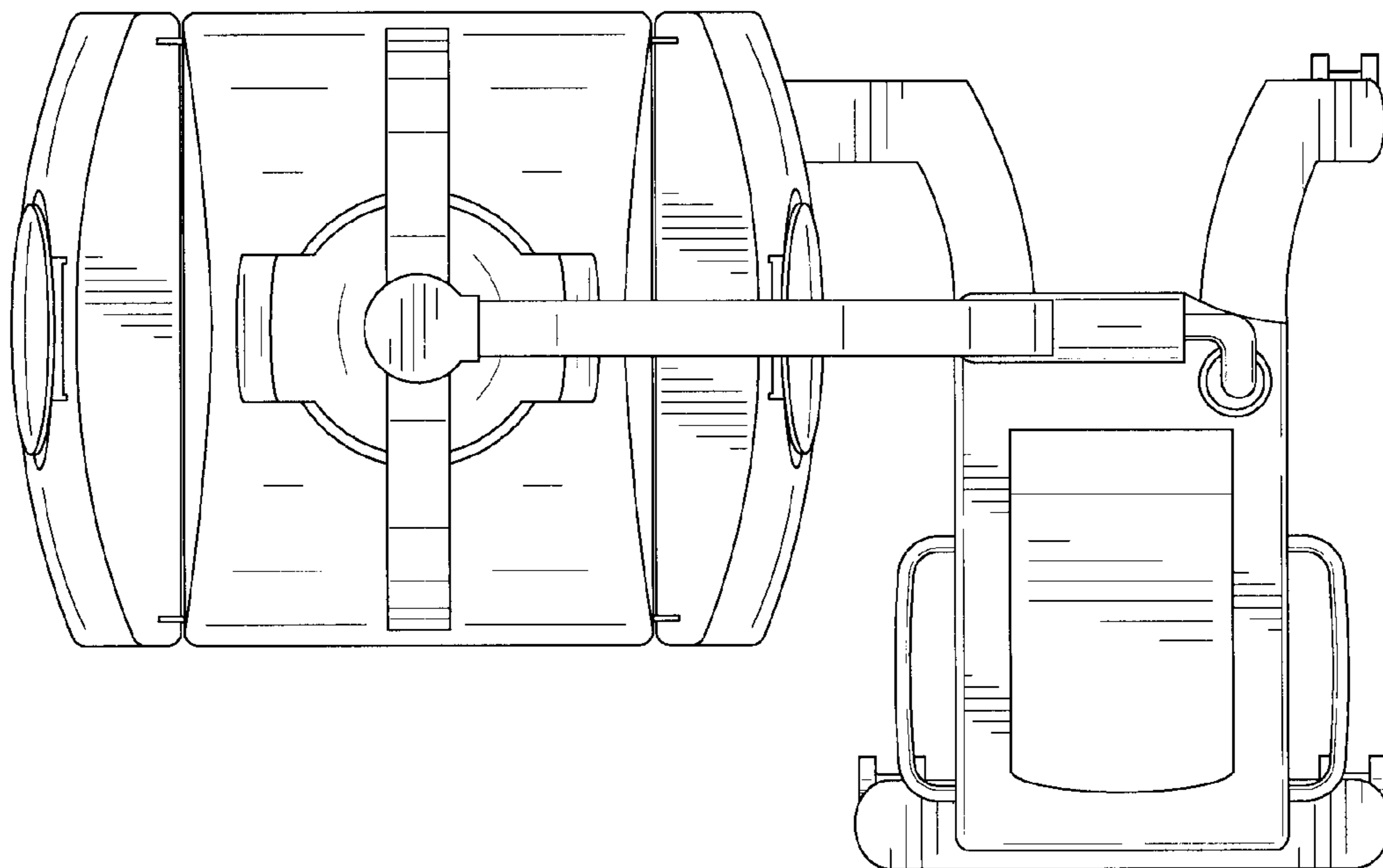


FIG. 4

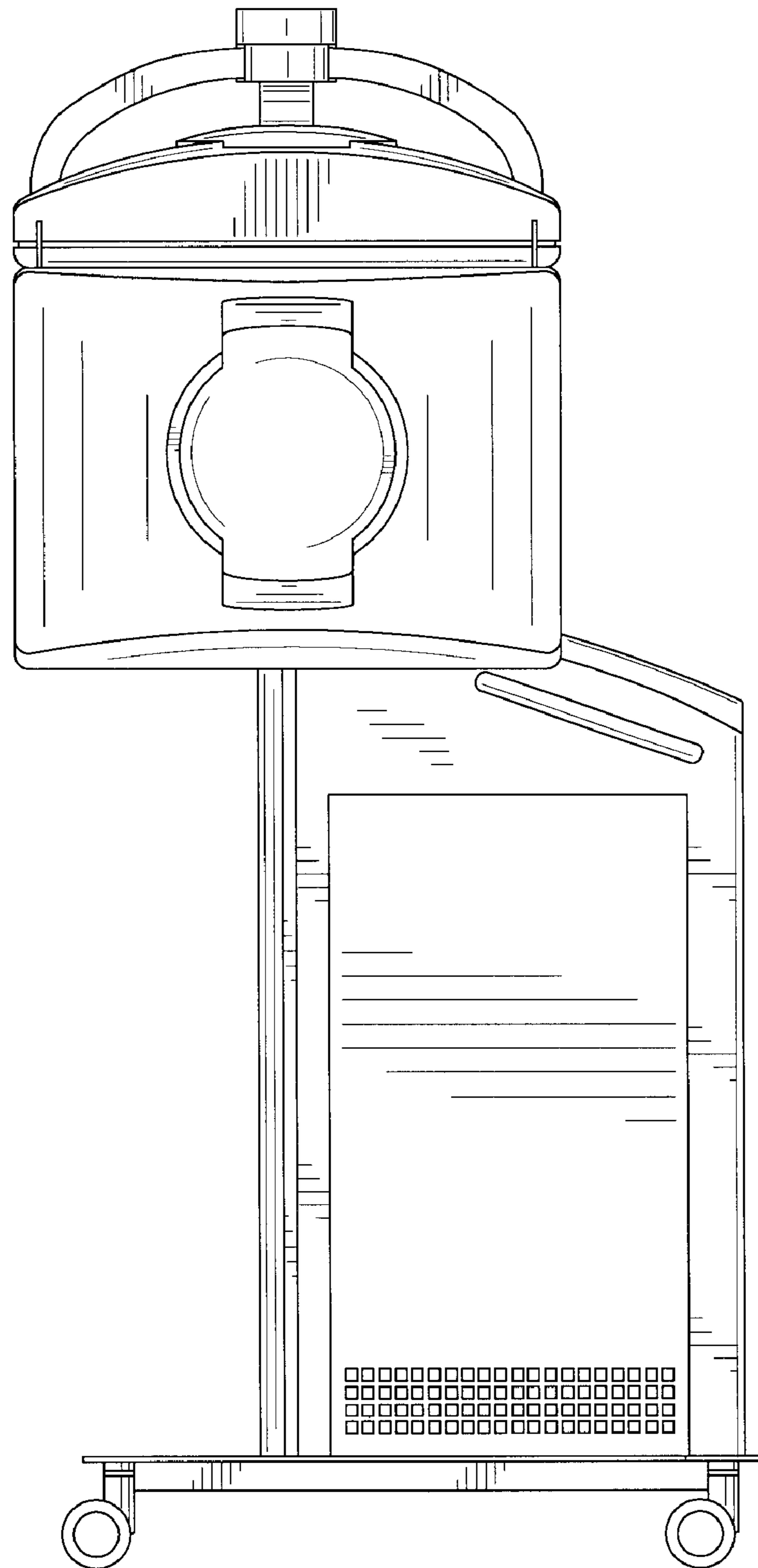


FIG. 5