



US00D505205S

(12) **United States Design Patent** (10) **Patent No.:** **US D505,205 S**
Freid (45) **Date of Patent:** **** May 17, 2005**

(54) **BONE PLATE SYSTEM EXTENDER PLATE**
(75) Inventor: **Jim Freid**, Manchaca, TX (US)
(73) Assignee: **Spinal Concepts, Inc.**, Austin, TX (US)
(**) Term: **14 Years**
(21) Appl. No.: **29/155,057**
(22) Filed: **Feb. 1, 2002**
(51) **LOC (7) Cl.** **24-03**
(52) **U.S. Cl.** **D24/155**
(58) **Field of Search** D24/155; 606/61,
606/69

AcuFix Anterior Cervical Plate System Brochure, Spinal Concepts, Austin, TX, Jul. 2000.
AcuFix Anterior Cervical Plate System Brochure, Spinal Concepts, Austin, TX, Jul. 2000.
AcuFix Anterior Cervical Plate System Brochure, Spinal Concepts, Austin, TX, Aug. 2000.
AcuFix Anterior Cervical Plate System Brochure, Spinal Concepts, Austin, TX, Aug. 2000.
AcuFix Anterior Cervical Plate System Brochure, Spinal Concepts, Austin, TX, Mar. 2001.
AcuFix Anterior Cervical Plate System Brochure, Spinal Concepts, Austin, TX, Mar. 2001.

(Continued)

Primary Examiner—Antoine D. Davis
(74) *Attorney, Agent, or Firm*—Beth A. Vrioni

(56) **References Cited**

U.S. PATENT DOCUMENTS

5,053,036 A 10/1991 Perren et al.
5,578,034 A 11/1996 Estes
5,616,142 A * 4/1997 Yuan et al. 606/61
5,707,372 A 1/1998 Errico et al.
5,709,682 A 1/1998 Medoff
5,735,853 A 4/1998 Olerud
5,904,683 A 5/1999 Pohndorf et al.
5,954,722 A 9/1999 Bono
6,152,927 A 11/2000 Farris et al.
6,306,136 B1 10/2001 Baccelli
6,602,256 B1 * 8/2003 Hayes 606/69
6,645,208 B2 * 11/2003 Apfelbaum et al. 606/61

FOREIGN PATENT DOCUMENTS

WO 88/03781 6/1988

OTHER PUBLICATIONS

EBI Vuelock Anterior Cervical Plate System Brochure, EBI Spine Systems, Parsippany, NJ, 2001, 3 pages.
Reflex Anterior Cervical Plate Brochure, Stryker Howmedica Osteonics, Germany, May 2001, 16 pages.
AcuFix Anterior Cervical Plate System Brochure, Spinal Concepts, Austin, TX, Dec. 2000, 4 pages.
AcuFix Anterior Cervical Plate System Brochure, Spinal Concepts, Austin, TX, Jul. 2000.

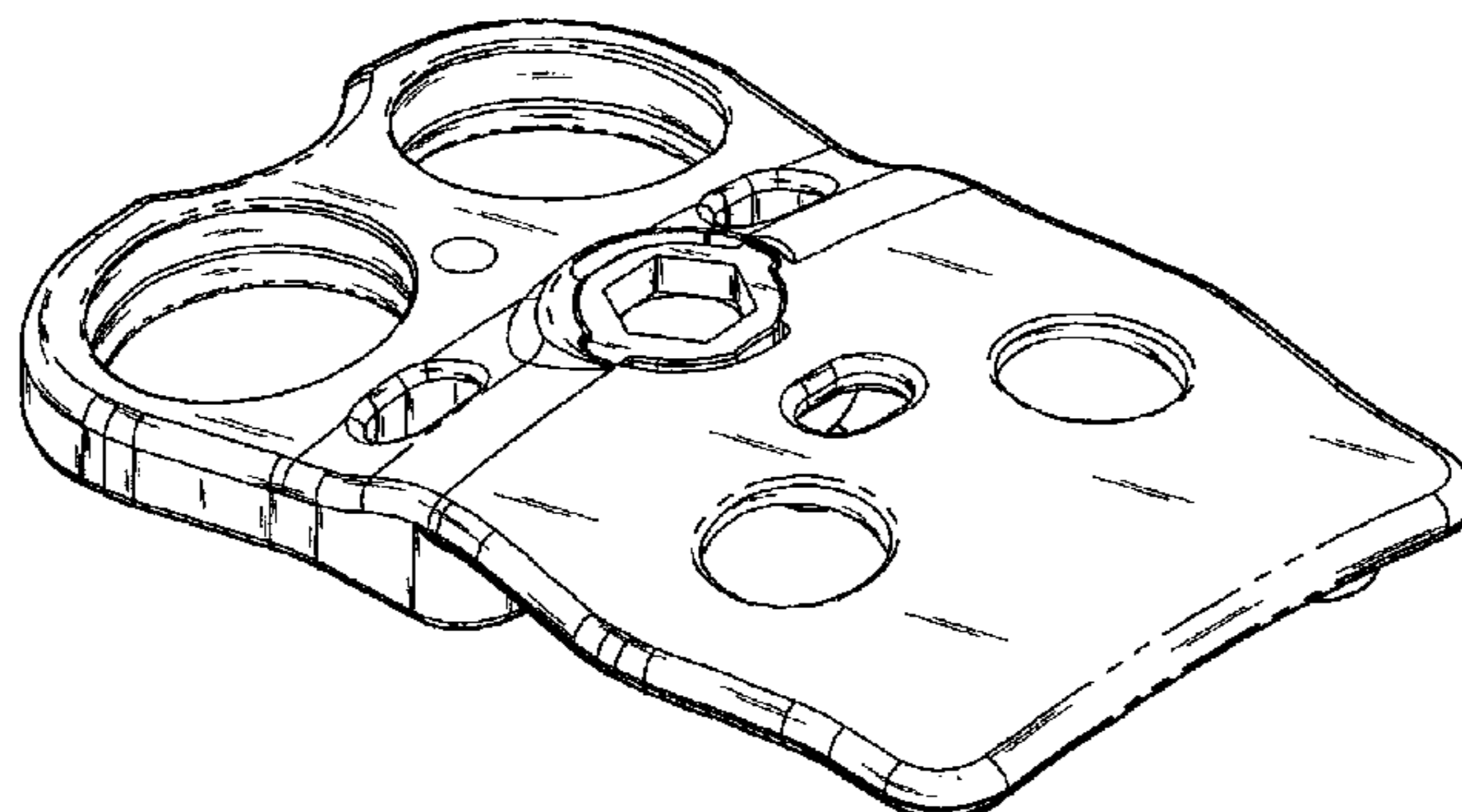
(57) **CLAIM**

The ornamental design for a bone plate system extender plate, as shown and described.

DESCRIPTION

FIG. 1 is a perspective view of a bone plate system extender plate emphasizing a top surface.
FIG. 2 is a perspective view of a bone plate system extender plate emphasizing a bottom surface.
FIG. 3 is a top view of a bone plate system extender plate.
FIG. 4 is a left end view of an extender plate.
FIG. 5 is a right end view of an extender plate.
FIG. 6 is a right side view of a bone plate system extender plate.
FIG. 7 is a left side view of a bone plate system extender plate.
FIG. 8 is a bottom view of a bone plate system extender plate; and,
FIG. 9 is an alternate embodiment of a perspective view of a bone plate system extender plate emphasizing a top surface.

1 Claim, 6 Drawing Sheets



OTHER PUBLICATIONS

SC-AcuFix Anterior Cervical Plate System Surgical Technique Brochure, Spinal Concepts, Austin, TX, Sep. 2001, p. 1-12.

Techniques of Screw Fixation of the Cervical Spine, Dickman, C., V. Sonntag, and P. J. Marcotte, Barrow Neurological Institute Quarterly, 1992: 8(2), p. 9-26.

Spinal Fixation, Part 1. Principles, Basic Hardware, and Fixation Techniques for the Cervical Spine, R. M. Sloane, M.D., M. MacMillan, M.D., and W. J. Montgomery, M.D. Radiographics, Mar. 1993: 13(2), p. 341-356.

Treatment of Cervical Spine Injuries with Anterior Plating, Indications, Techniques, and Results. M. Aebi, M.D., K. Zuber, M.D., D. Marchesi M.D. Spine, vol. 16, No. 3S, Mar. 1991, p. S38-S45.

Axis Fixation System Brochure, Danek, 1993, 6 pages.

Small Notched Titanium Reconstruction Plate System Brochure, Synthes, 1996, 6 pages.

Lateral Mass Posterior Plating and Facet Fusion for Cervical Spine Instability, W. Bruce Cherny, Volker K.H. Sonntag, and Richard A. Douglas, Barrow Neurological Institute Quarterly, 1992: vol. 7, No. 2, p. 2-11.

Posterior Plates in the Management of Cervical Instability: Long-term Results in 44 Patients. Michael G. Fehlings, M.D., Paul Cooper, M.D., and Thomas J. Errico, M.D. Journal of Neurosurgery, vol. 81 1994, p. 341-349.

Aline Anterior Cervical Plating System Brochure, Smith & Nephew Orthopaedics, 1996, 17 pages.

Orion Anterior Cervical Plating System Brochure, Sofamor Danek, 1994, 25 pages.

* cited by examiner

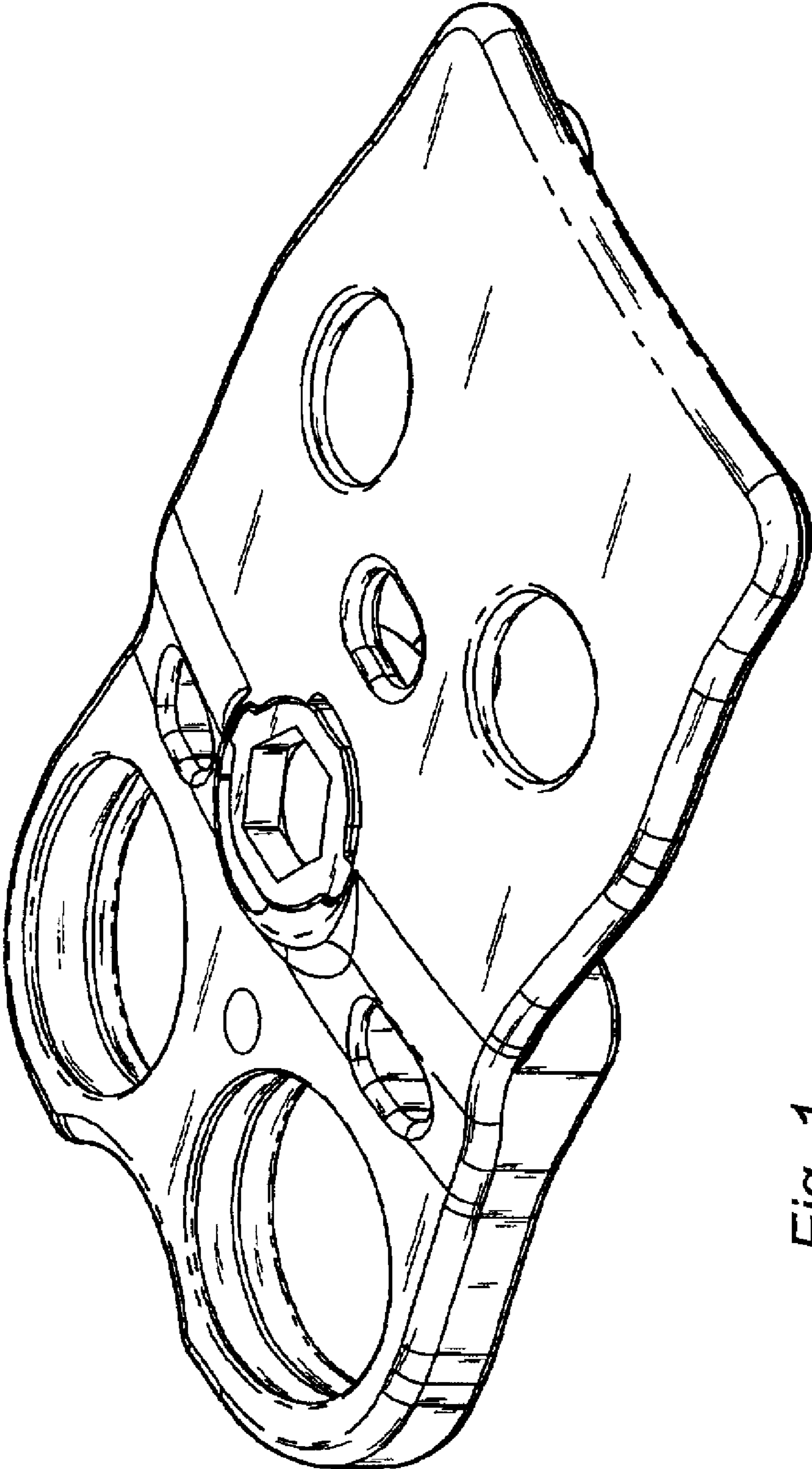


Fig. 1

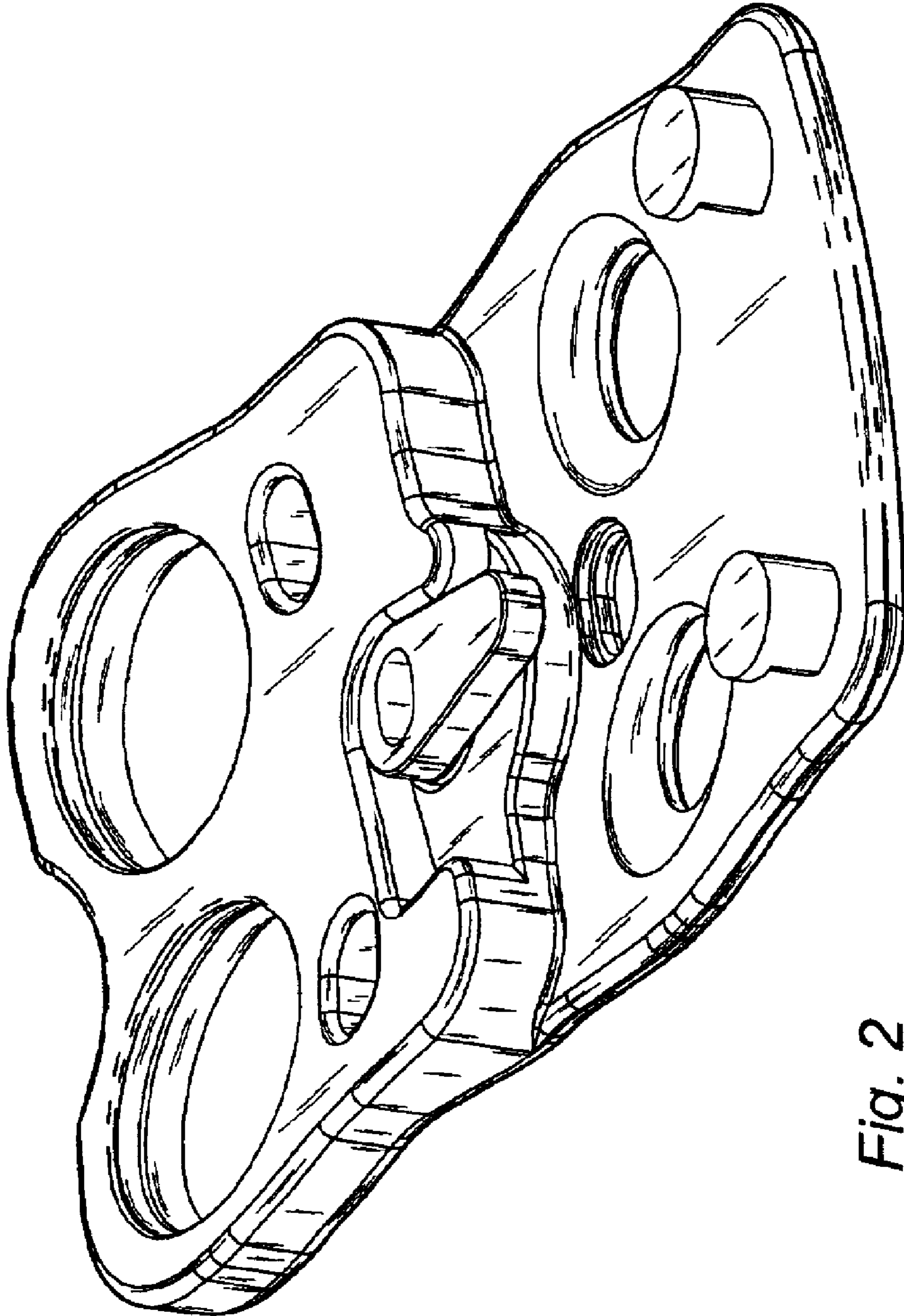


Fig. 2

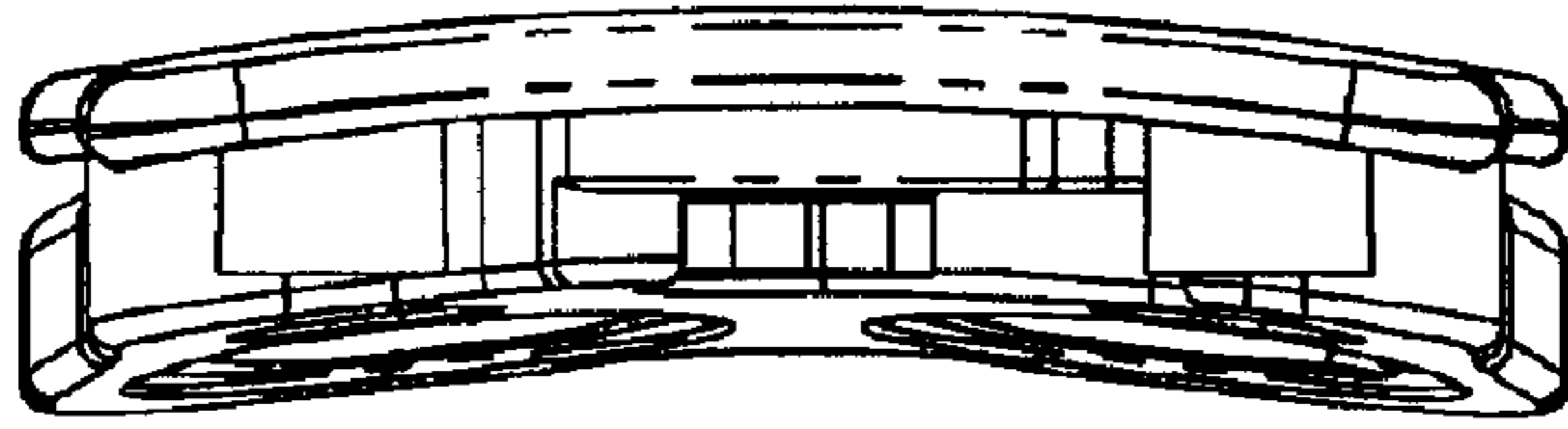


Fig. 5

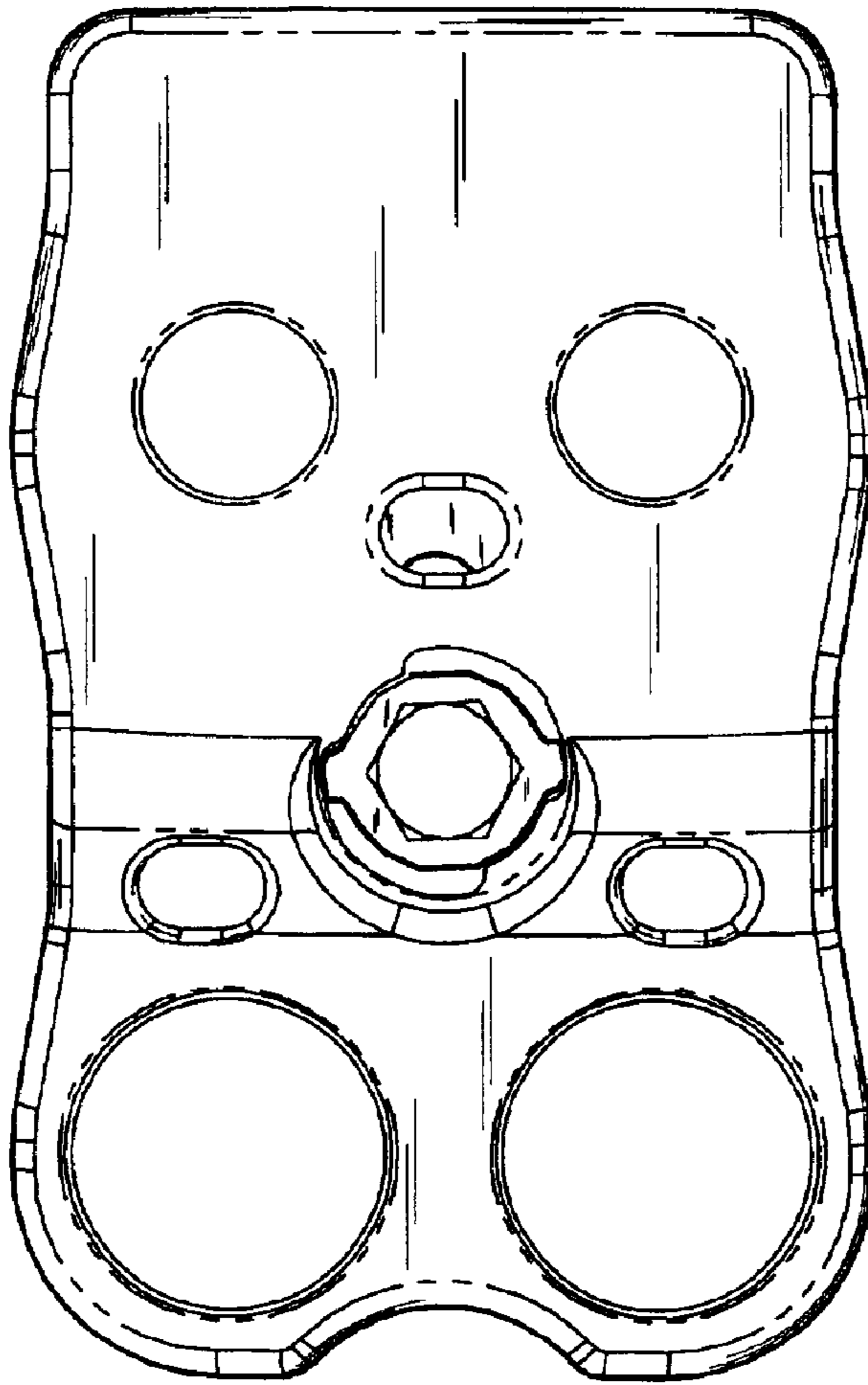


Fig. 3

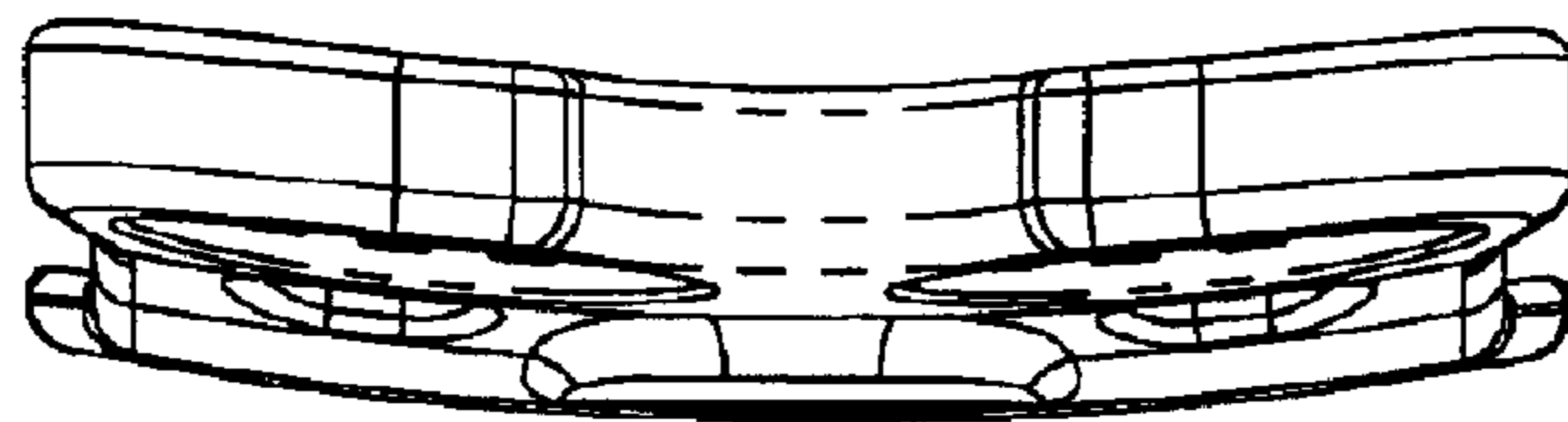


Fig. 4

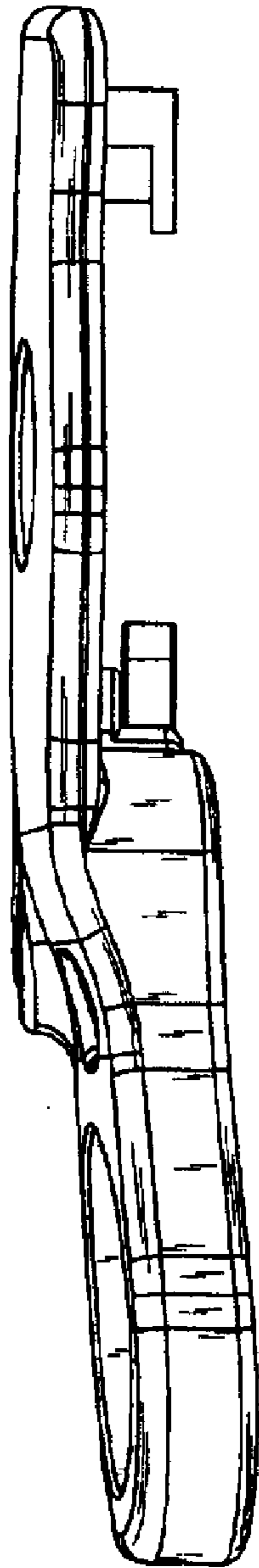


Fig. 6

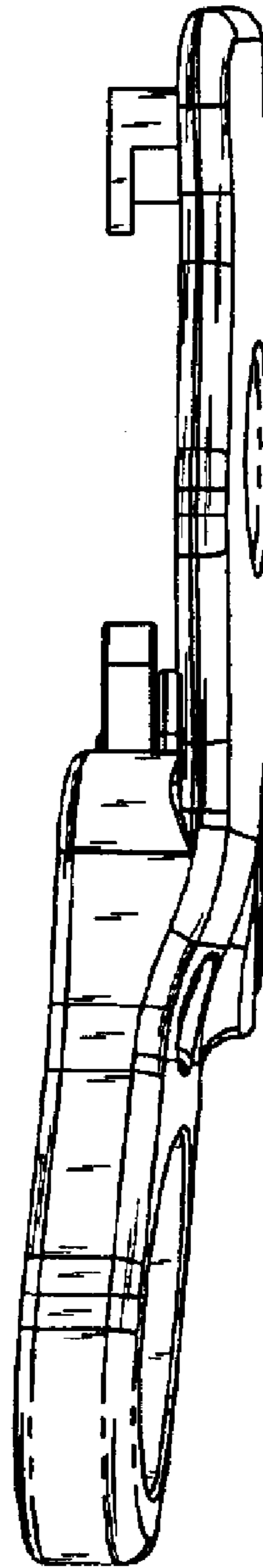


Fig. 7

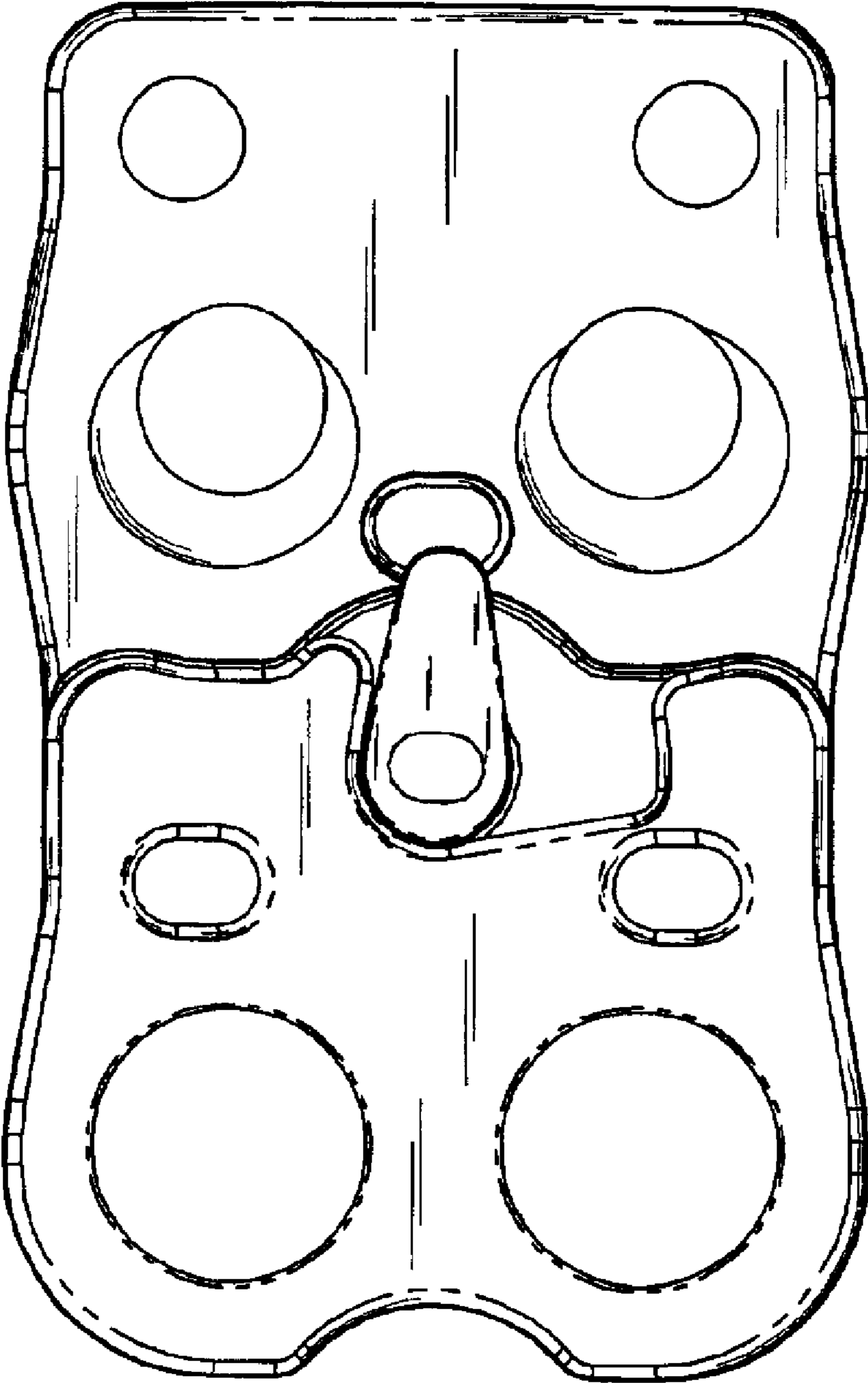


Fig. 8

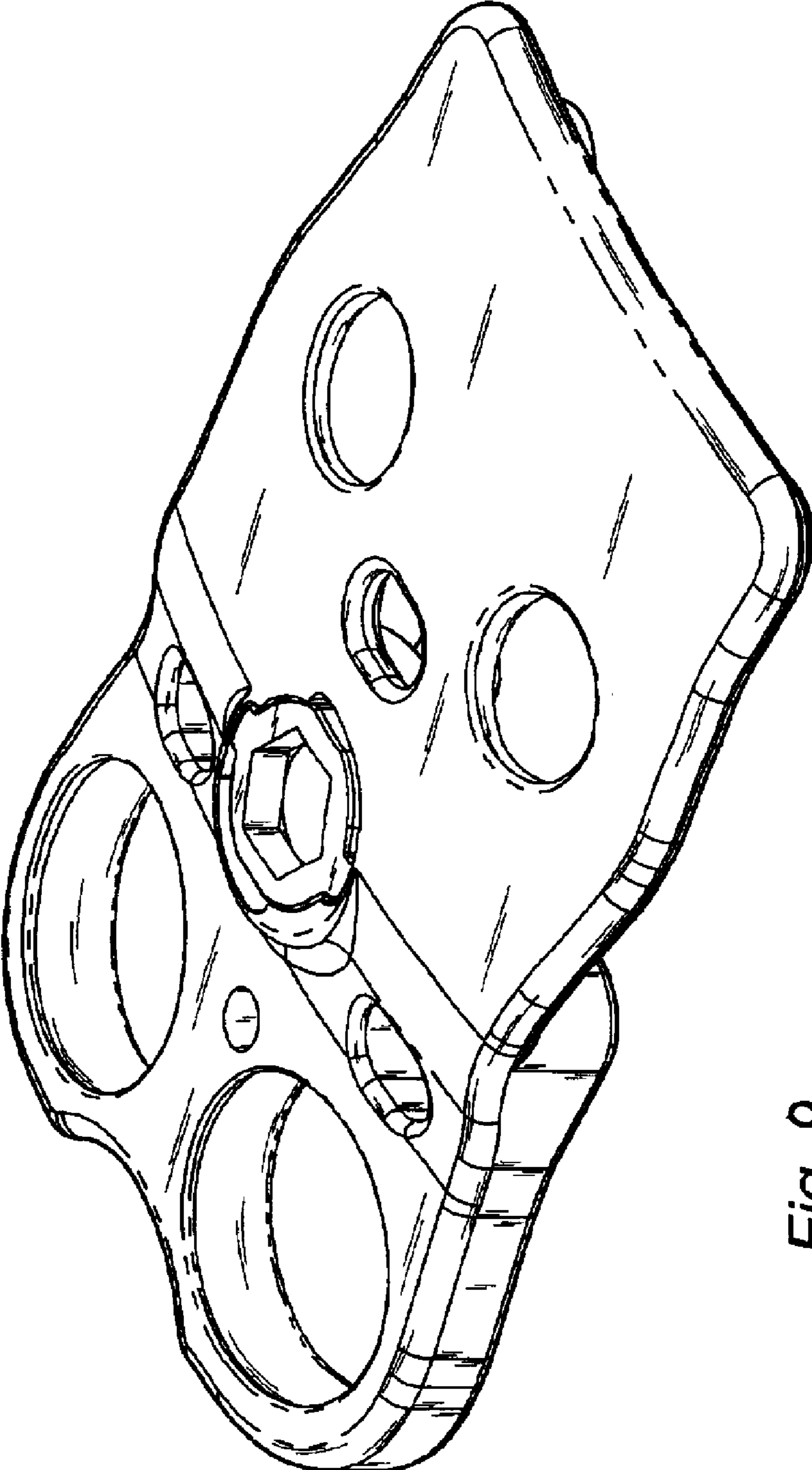


Fig. 9

UNITED STATES PATENT AND TRADEMARK OFFICE
CERTIFICATE OF CORRECTION

PATENT NO. : Des. 505,205 S
DATED : February 1, 2002
INVENTOR(S) : Jim Freid

Page 1 of 1

It is certified that error appears in the above-identified patent and that said Letters Patent is hereby corrected as shown below:

Title page.

Item [54], Title, replace “**BONE PLATE SYSTEM EXTENDER PLATE**” with
-- **EXTENSION PLATE** --.

Item [57], **DESCRIPTION**,

Lines 12-13, delete “FIG. 8 is bottom view of a bone plate system extender plate; and,”
with -- FIG. 8 is bottom view of a bone plate system extender plate. --.

Signed and Sealed this

Twenty-first Day of March, 2006

A handwritten signature in black ink on a dotted background. The signature reads "Jon W. Dudas" in a cursive style.

JON W. DUDAS

Director of the United States Patent and Trademark Office

UNITED STATES PATENT AND TRADEMARK OFFICE
CERTIFICATE OF CORRECTION

PATENT NO. : Des. 505,205 S
DATED : May 17, 2005
INVENTOR(S) : Jim Freid

Page 1 of 1

It is certified that error appears in the above-identified patent and that said Letters Patent is hereby corrected as shown below:

Title page.

Item [54], Title, replace “**BONE PLATE SYSTEM EXTENDER PLATE**” with
-- **EXTENSION PLATE** --.

Item [57], **DESCRIPTION**,

Lines 12-13, delete “FIG. 8 is bottom view of a bone plate system extender plate; and,”
with -- FIG. 8 is bottom view of a bone plate system extender plate. --.

This certificate supersedes Certificate of Correction issued March 21, 2006.

Signed and Sealed this

Twenty-fifth Day of April, 2006

A handwritten signature in black ink on a dotted background. The signature reads "Jon W. Dudas" in a cursive style.

JON W. DUDAS

Director of the United States Patent and Trademark Office