

US00D505204S

(12) **United States Design Patent** (10) **Patent No.:** **US D505,204 S**
Eatkins et al. (45) **Date of Patent:** **** May 17, 2005**

(54) **NOSE, TAIL AND WING TIPS FOR A JET AIRPLANE**

(75) Inventors: **Mark Eatkins**, Kirkland, WA (US);
Paul Dees, Woodinville, WA (US);
Blake Emery, Enumclaw, WA (US);
Chris B. Kettering, Kirkland, WA (US);
Kevin Retz, Bothell, WA (US);
Paul Mikulencak, Everett, WA (US)

(73) Assignee: **The Boeing Company**, Chicago, IL (US)

(**) Term: **14 Years**

(21) Appl. No.: **29/187,467**

(22) Filed: **Aug. 1, 2003**

Related U.S. Application Data

(62) Division of application No. 29/181,153, filed on May 5, 2003, now Pat. No. Des. 491,875.

(51) **LOC (7) Cl.** **24-02**

(52) **U.S. Cl.** **D24/152; D24/119**

(58) **Field of Search** **D24/112**

(56) **References Cited**

U.S. PATENT DOCUMENTS

D315,956 S * 4/1991 Dragan D24/112

OTHER PUBLICATIONS

Pamphlet: Plane Spotter: Your Guide to Passenger Airlines © 1999.

Bill Yenne, The story of the Boeing Company, AGS Book-Works, San Francisco, CA © 2003.

* cited by examiner

Primary Examiner—Ian Simmons

(57) **CLAIM**

The ornamental design for the nose, tail and wing tips for a jet airplane, as shown and described.

DESCRIPTION

FIG. 1 is a perspective view of the nose, tail and wing tips for a jet airplane;

FIG. 2 is a top plan view of the nose, tail and wing tips for a jet airplane;

FIG. 3 is a front plan view of the nose, tail and wing tips for a jet airplane;

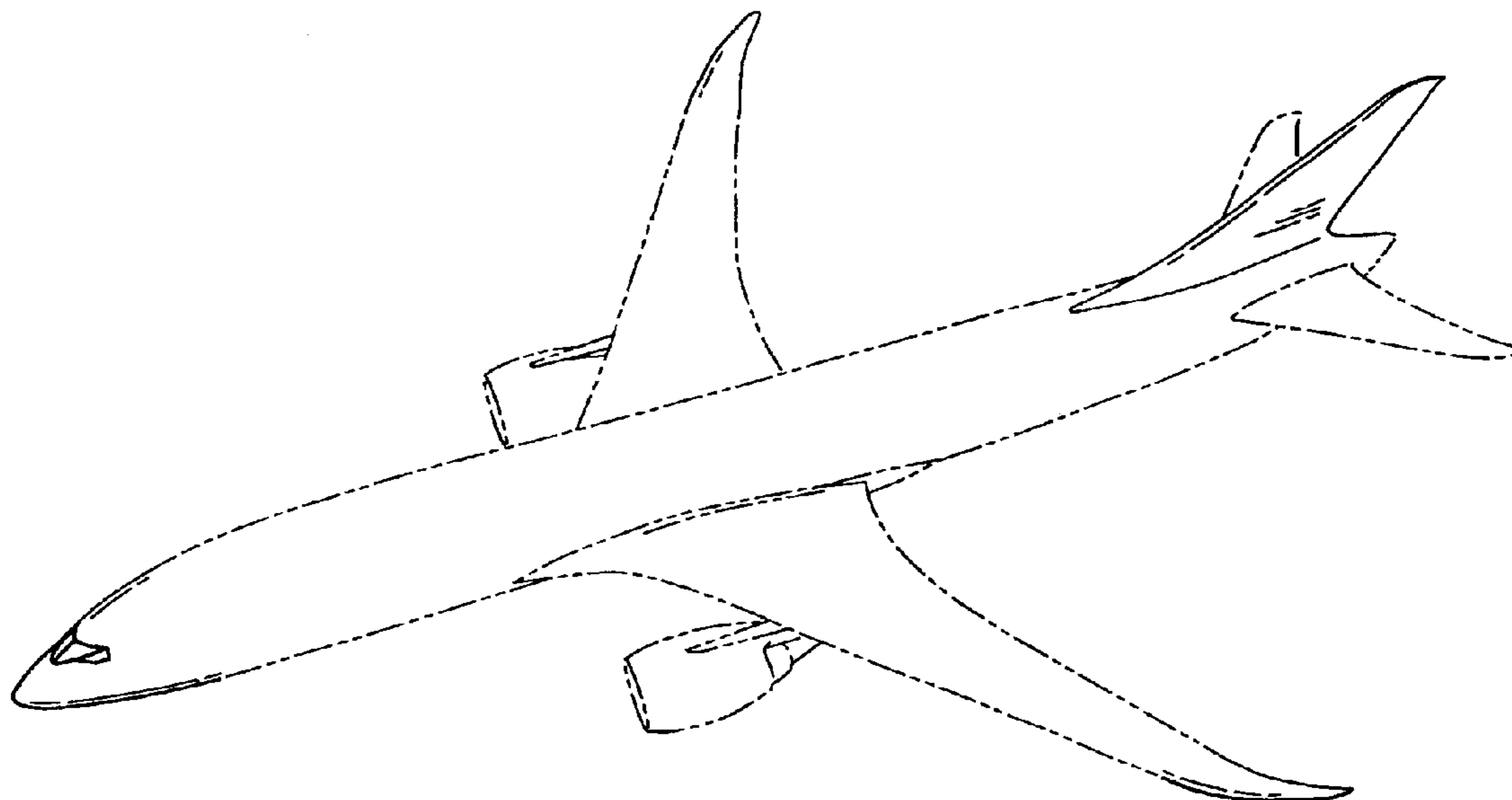
FIG. 4 is a back plan view of the nose, tail and wing tips for a jet airplane;

FIG. 5 is a side plan view of the nose, tail and wing tips for a jet airplane; and,

FIG. 6 is a bottom plan view of the nose, tail and wing tips for a jet airplane.

Other portions of the jet airplane are shown in hidden lines. These form part of the environment of the present invention but are not part of the claimed invention.

1 Claim, 5 Drawing Sheets



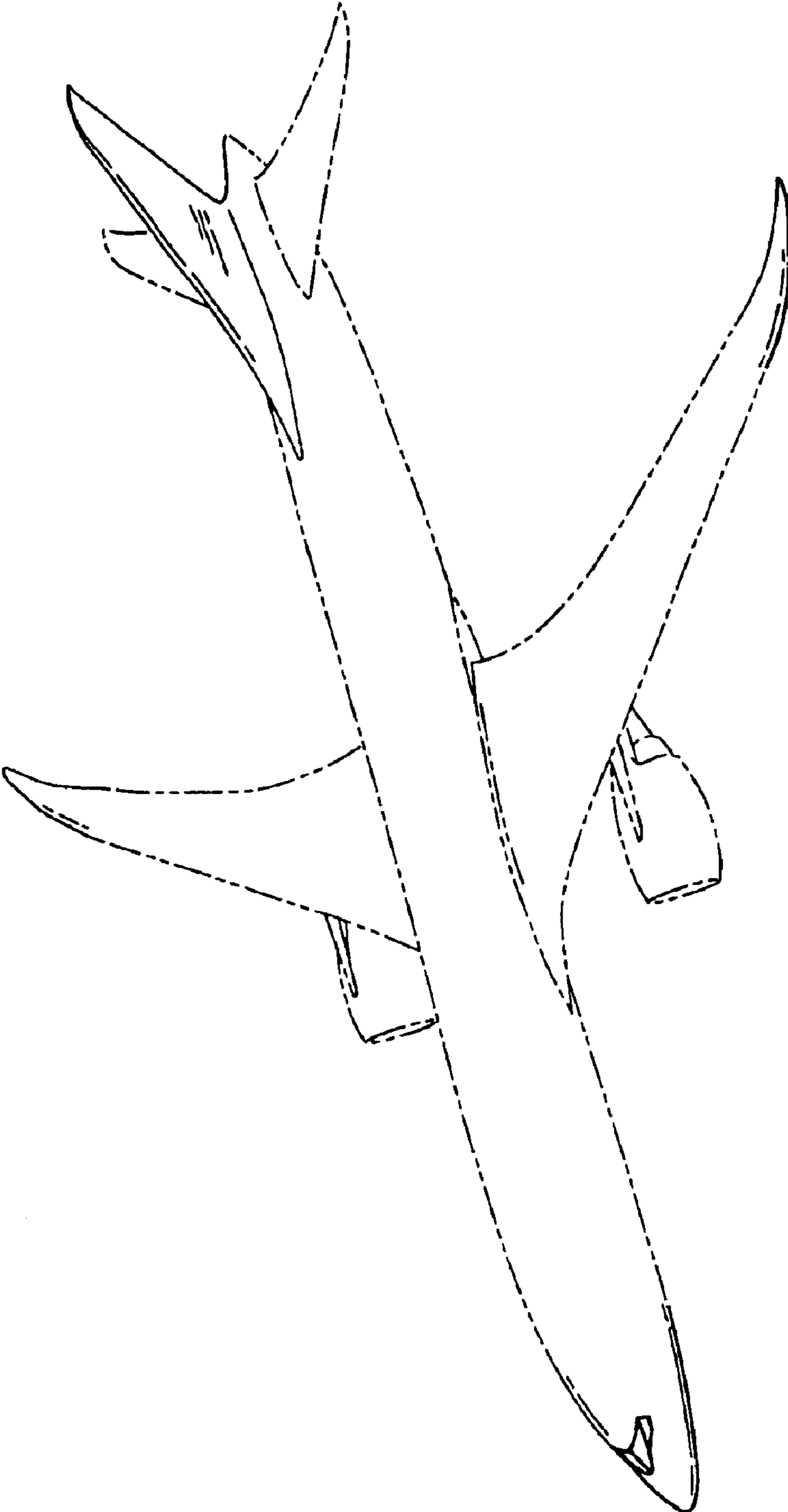


FIG. 1

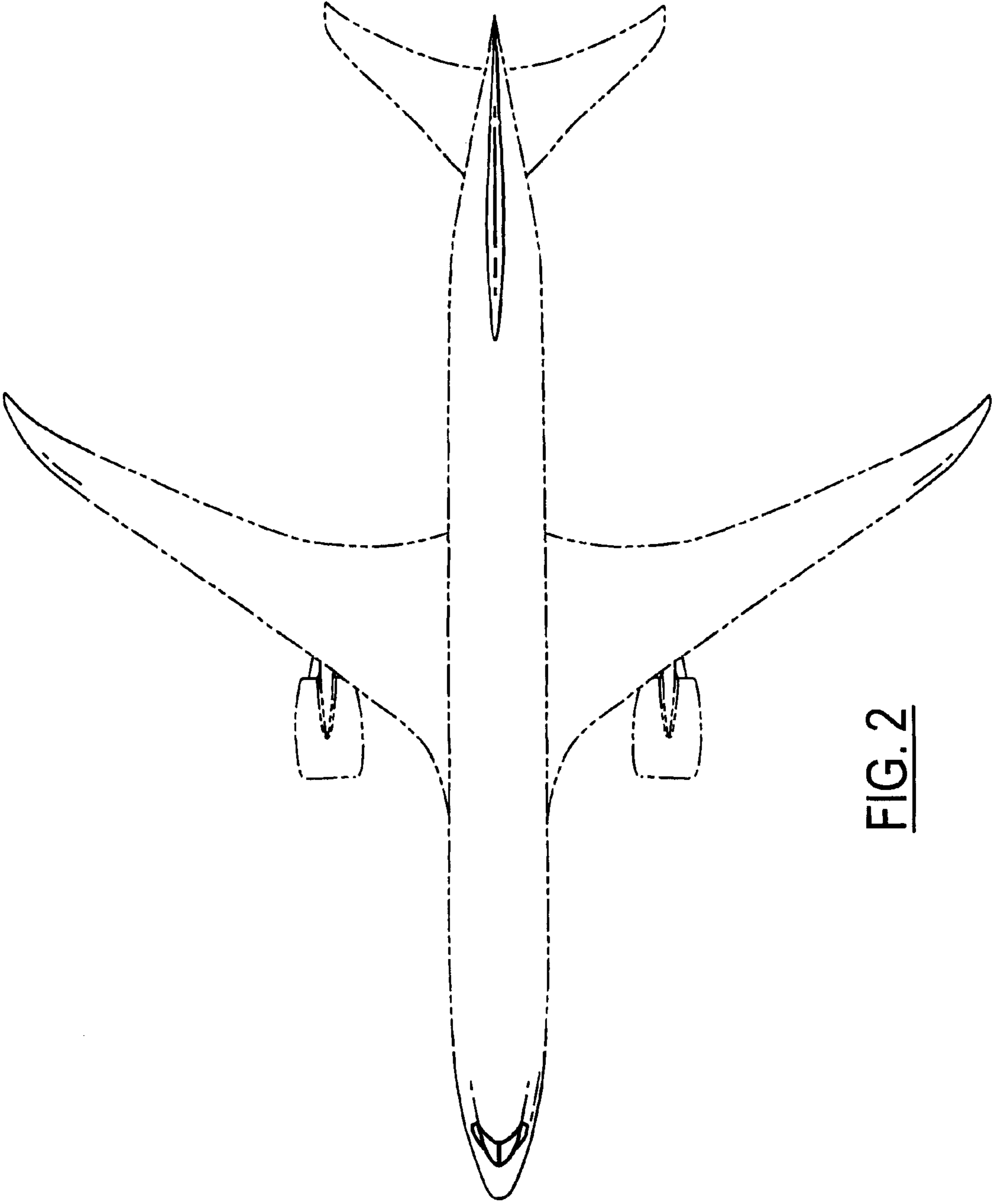


FIG. 2

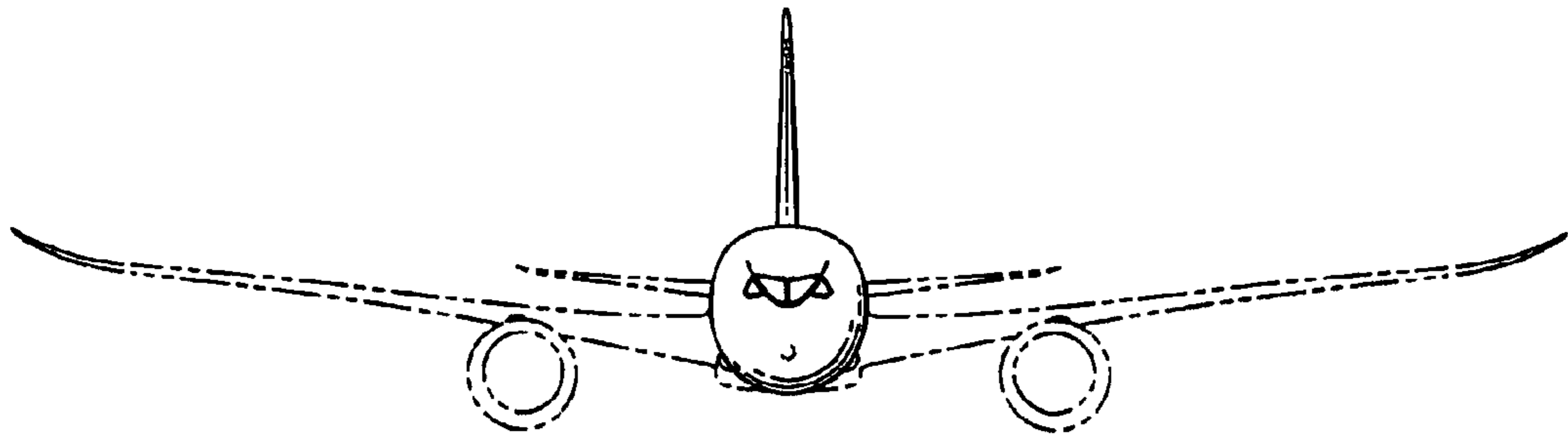


FIG. 3

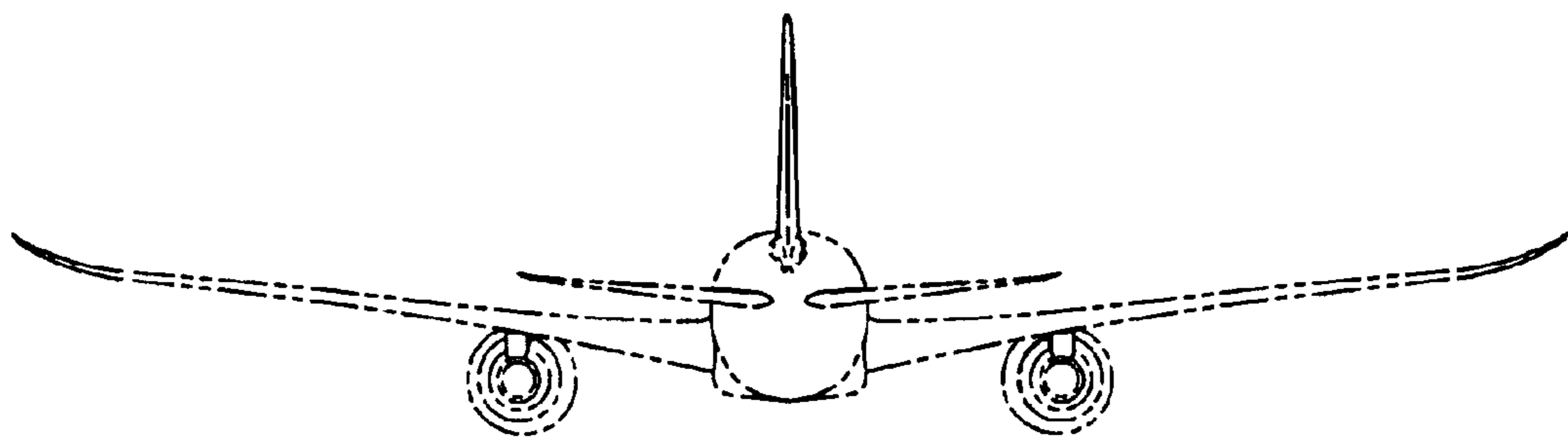


FIG. 4

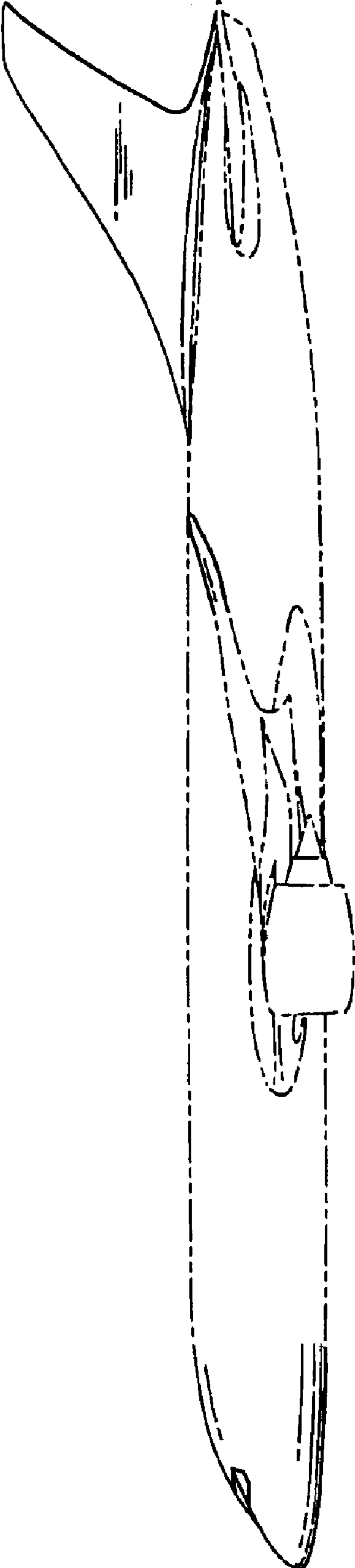


FIG. 5

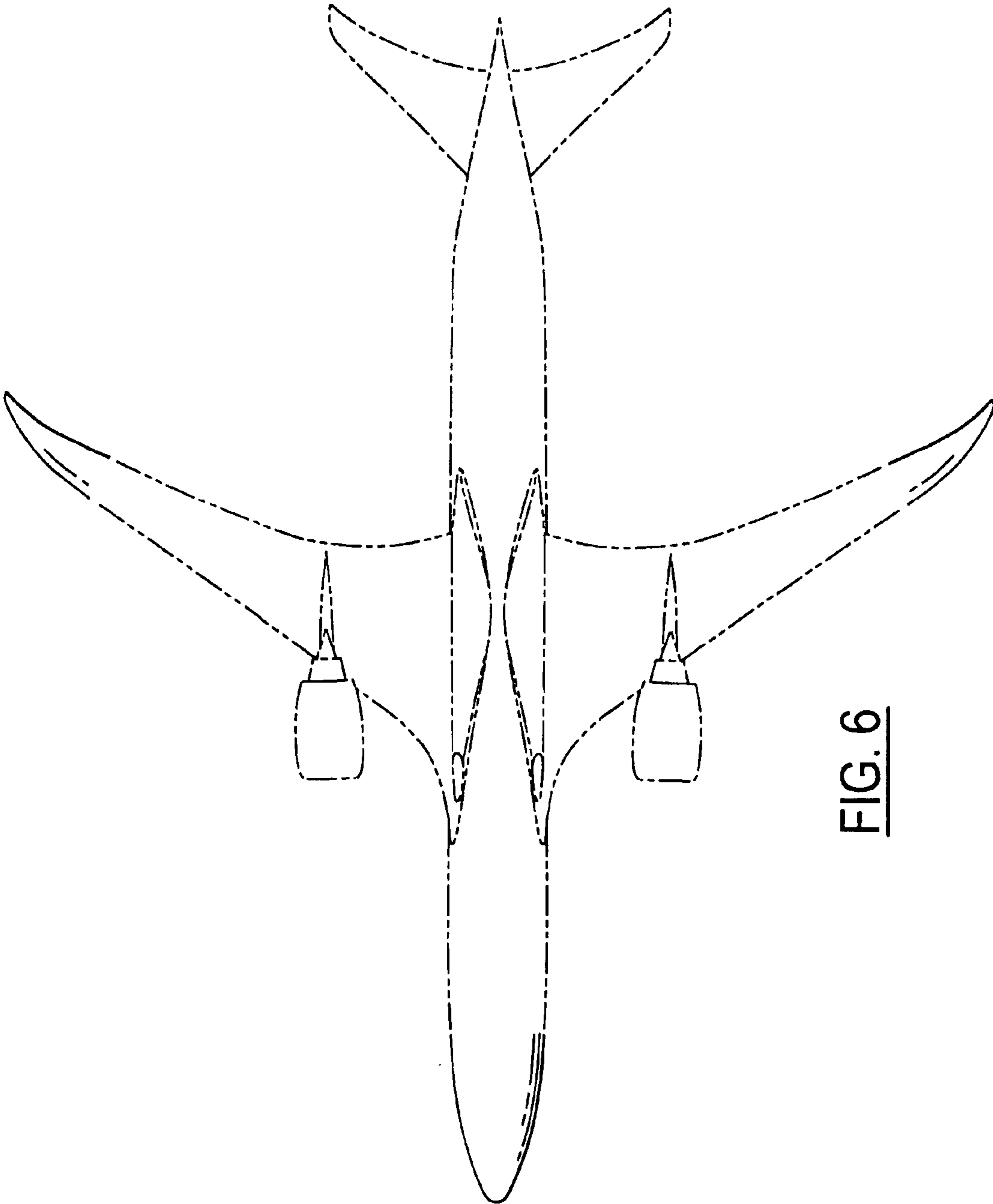


FIG. 6