



US00D505203S

(12) **United States Design Patent**
Sinding

(10) **Patent No.:** **US D505,203 S**

(45) **Date of Patent:** **** May 17, 2005**

(54) **EYE SPECULUM**

6,083,155 A 7/2000 Trese
6,267,752 B1 7/2001 Svetliza

(75) **Inventor:** **Paul Sinding**, London (GB)

FOREIGN PATENT DOCUMENTS

(73) **Assignee:** **Fulcrum Medical Devices Limited**,
London (GB)

FR 2 827 497 7/2001

(**) **Term:** **14 Years**

* cited by examiner

(21) **Appl. No.:** **29/206,214**

Primary Examiner—Ian Simmons
(74) *Attorney, Agent, or Firm*—Carter, DeLuca, Farrell &
Schmidt, LLP

(22) **Filed:** **May 27, 2004**

(57) **CLAIM**

Related U.S. Application Data

The ornamental design for an eye speculum, as shown and described.

(62) Division of application No. 29/174,578, filed on Jan. 21, 2003, now Pat. No. Des. 498,531.

DESCRIPTION

(30) **Foreign Application Priority Data**

FIG. 1 is a perspective view of an eye speculum of the present disclosure, with a removable handle illustrated in phantom;

Jan. 21, 2002 (GB) 3000826
Jan. 21, 2002 (GB) 3000827

FIG. 2 is a top plan view of the eye speculum of FIG. 1;
FIG. 3 is a front elevational view of the eye speculum of FIG. 1;

(51) **LOC (7) Cl.** **24-02**

(52) **U.S. Cl.** **D24/135**

(58) **Field of Search** D24/135, 137;
606/107; 600/236, 235, 208; 604/294

FIG. 4 is a rear elevational view of the eye speculum of FIG. 1;

(56) **References Cited**

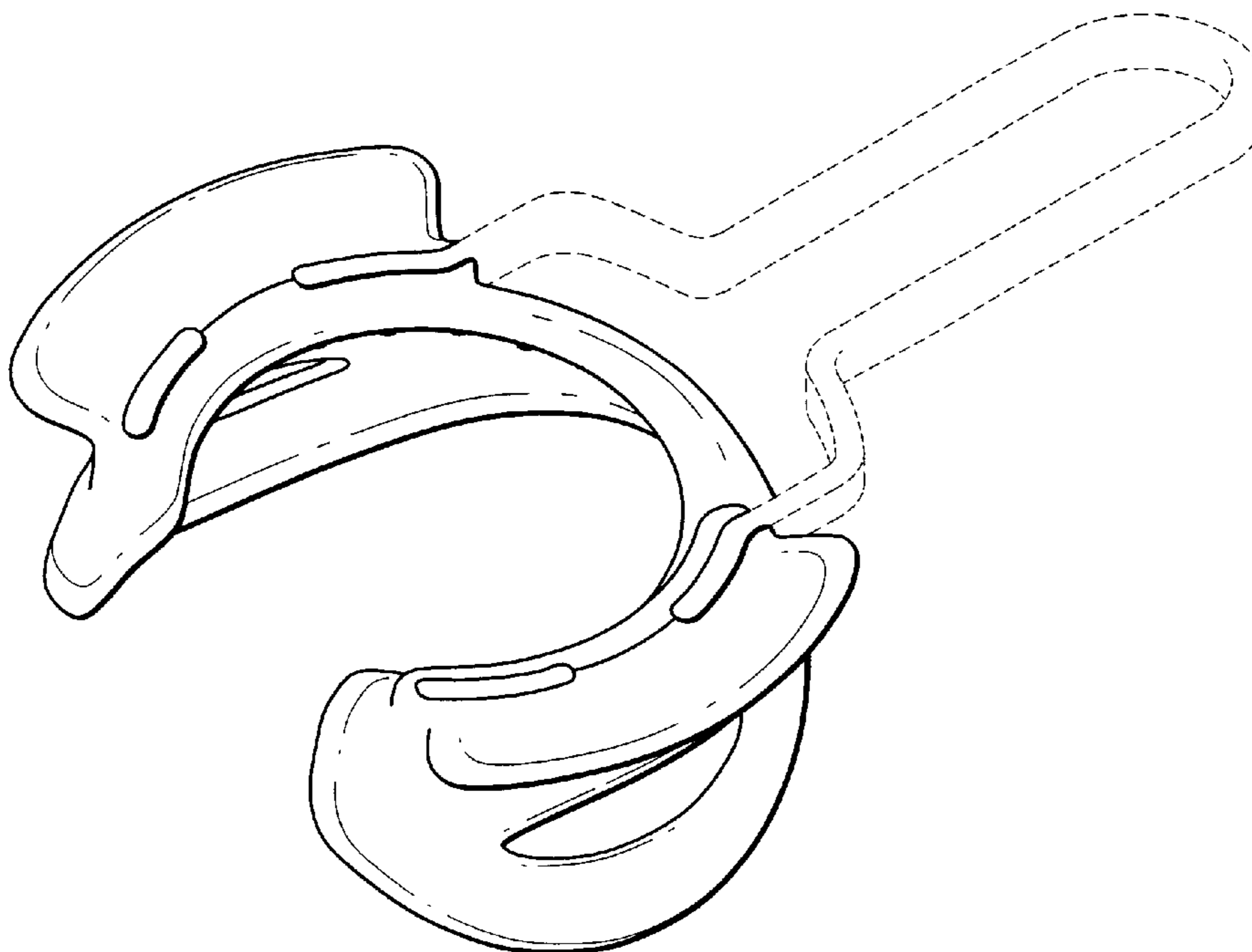
FIG. 5 is a right side elevational view of the eye speculum of FIG. 1, the left side elevational view being a mirror image of the right side elevational view; and,

U.S. PATENT DOCUMENTS

5,433,190 A * 7/1995 Sunalp 600/236
5,441,040 A * 8/1995 Williams, Jr. 600/236
5,618,261 A * 4/1997 Nevyas 600/236

FIG. 6 is a bottom plan view of the eye speculum of FIG. 1.

1 Claim, 2 Drawing Sheets



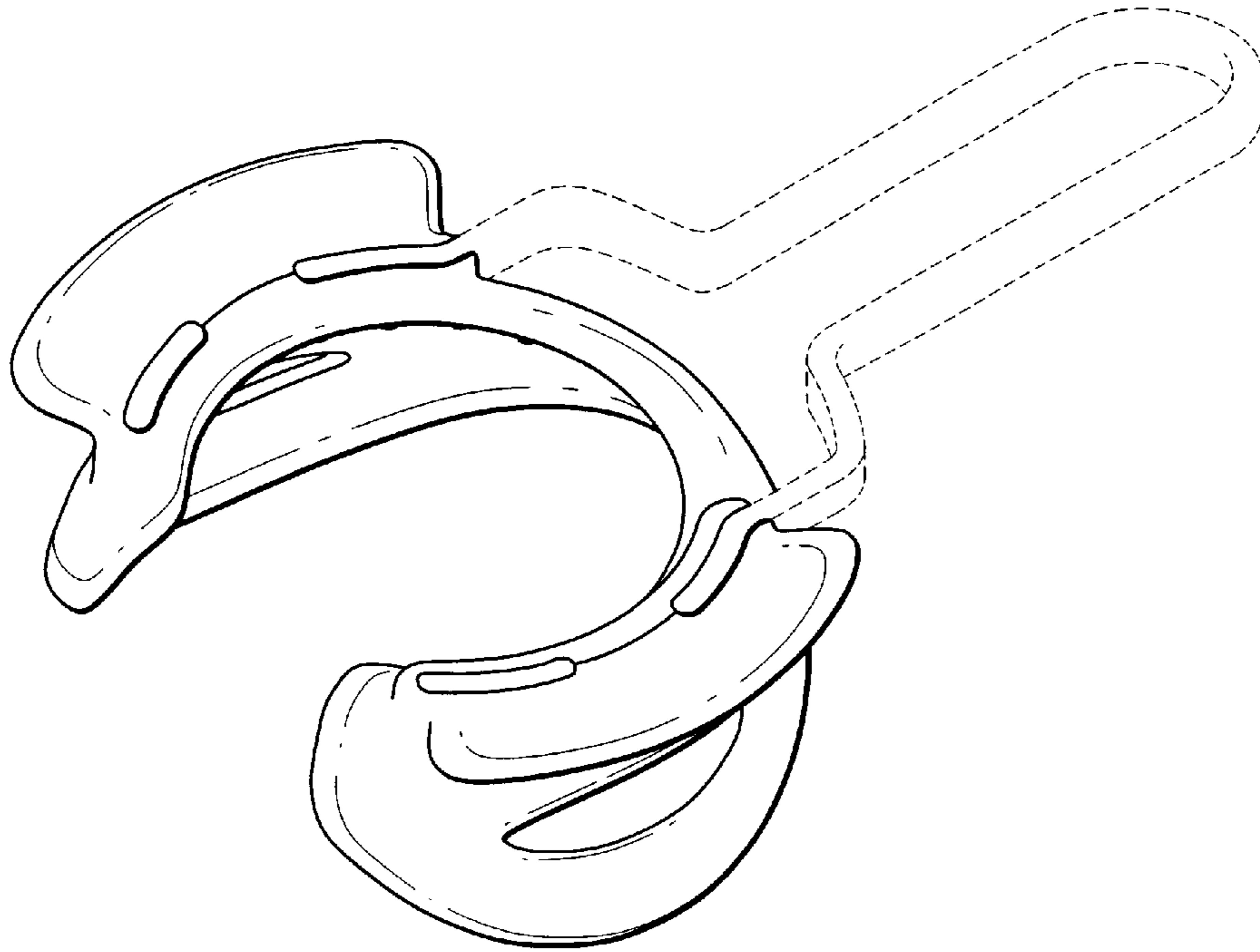


FIG. 1

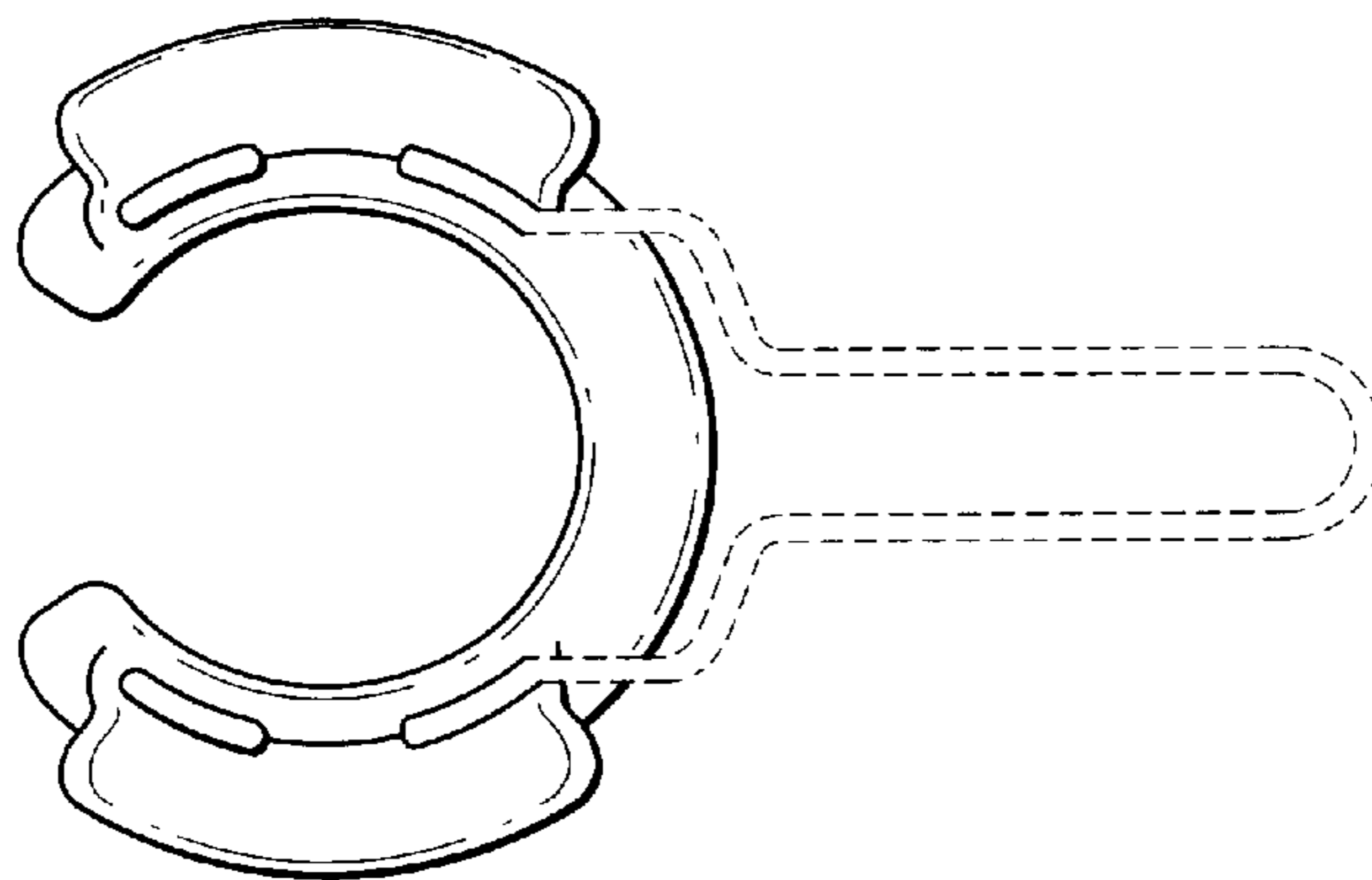


FIG. 2

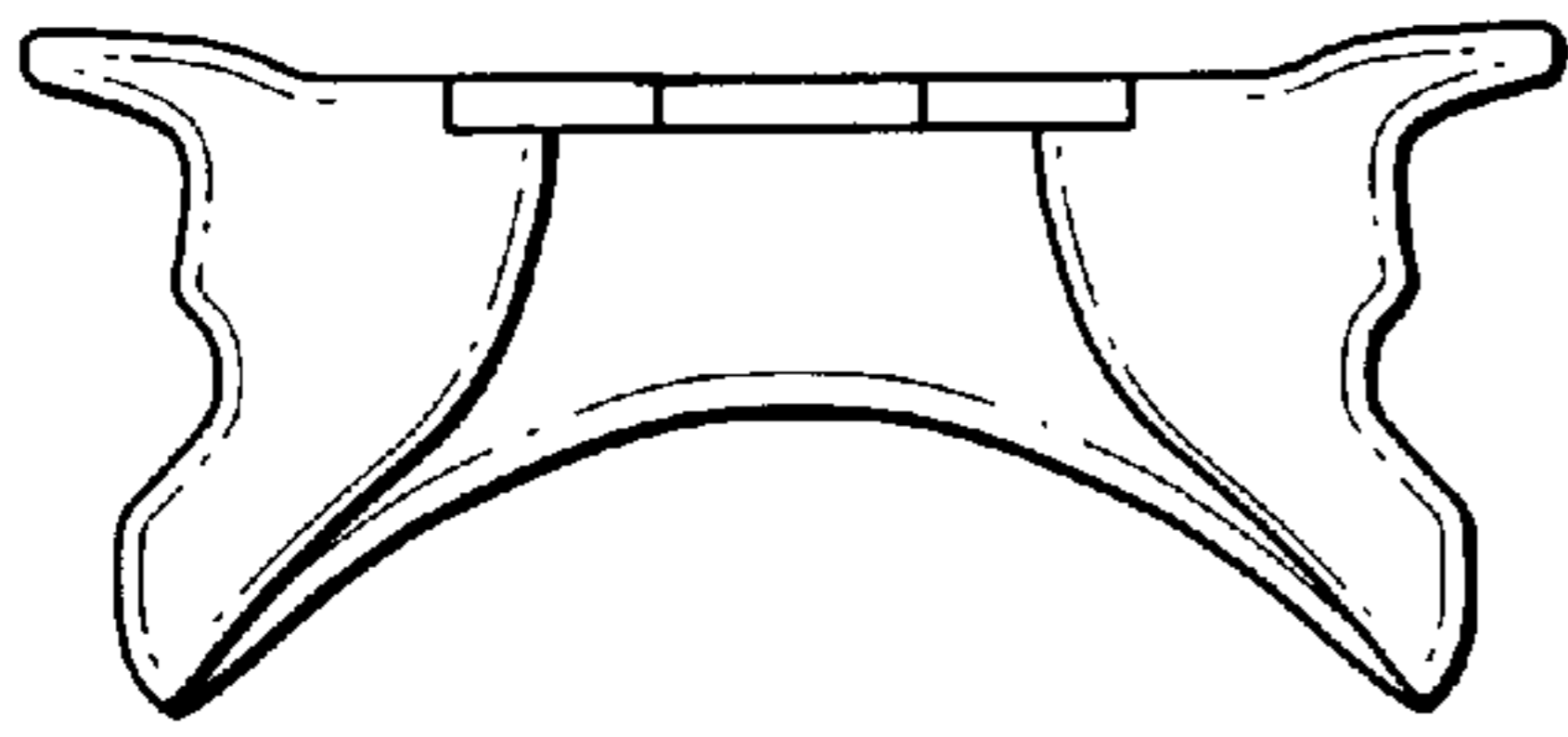


FIG. 3

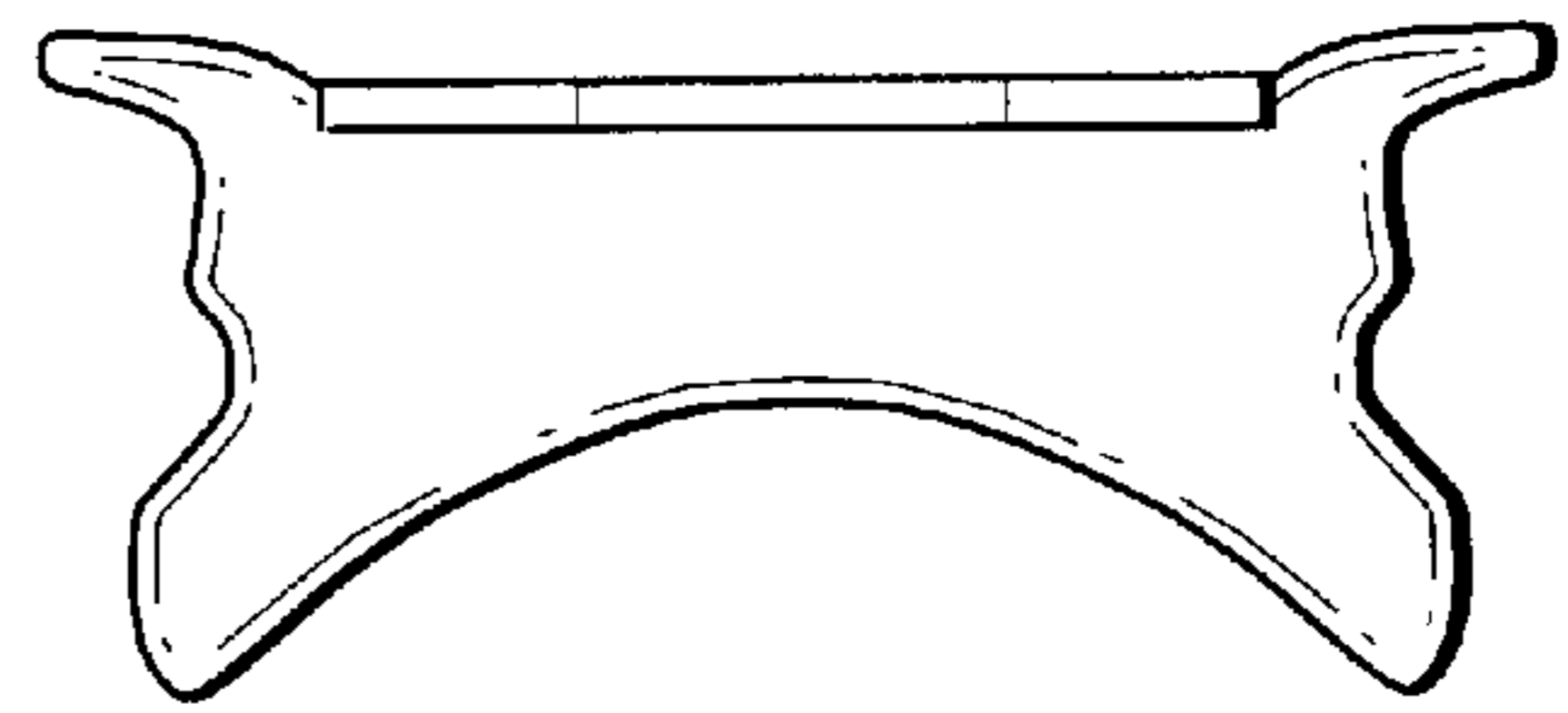


FIG. 4

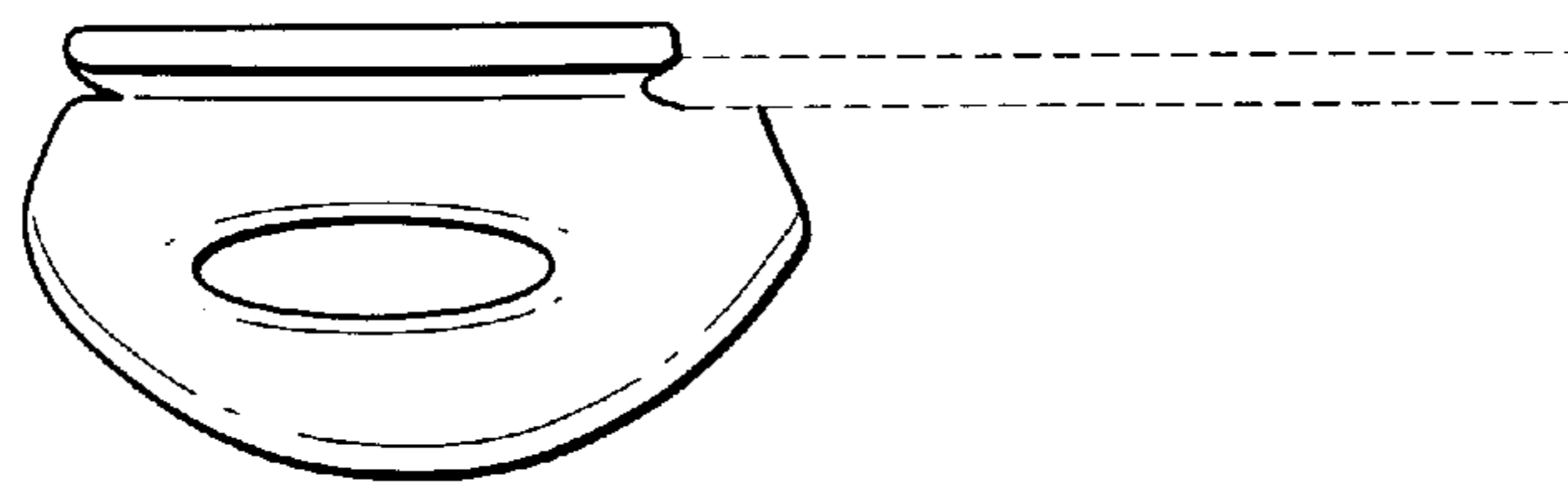


FIG. 5

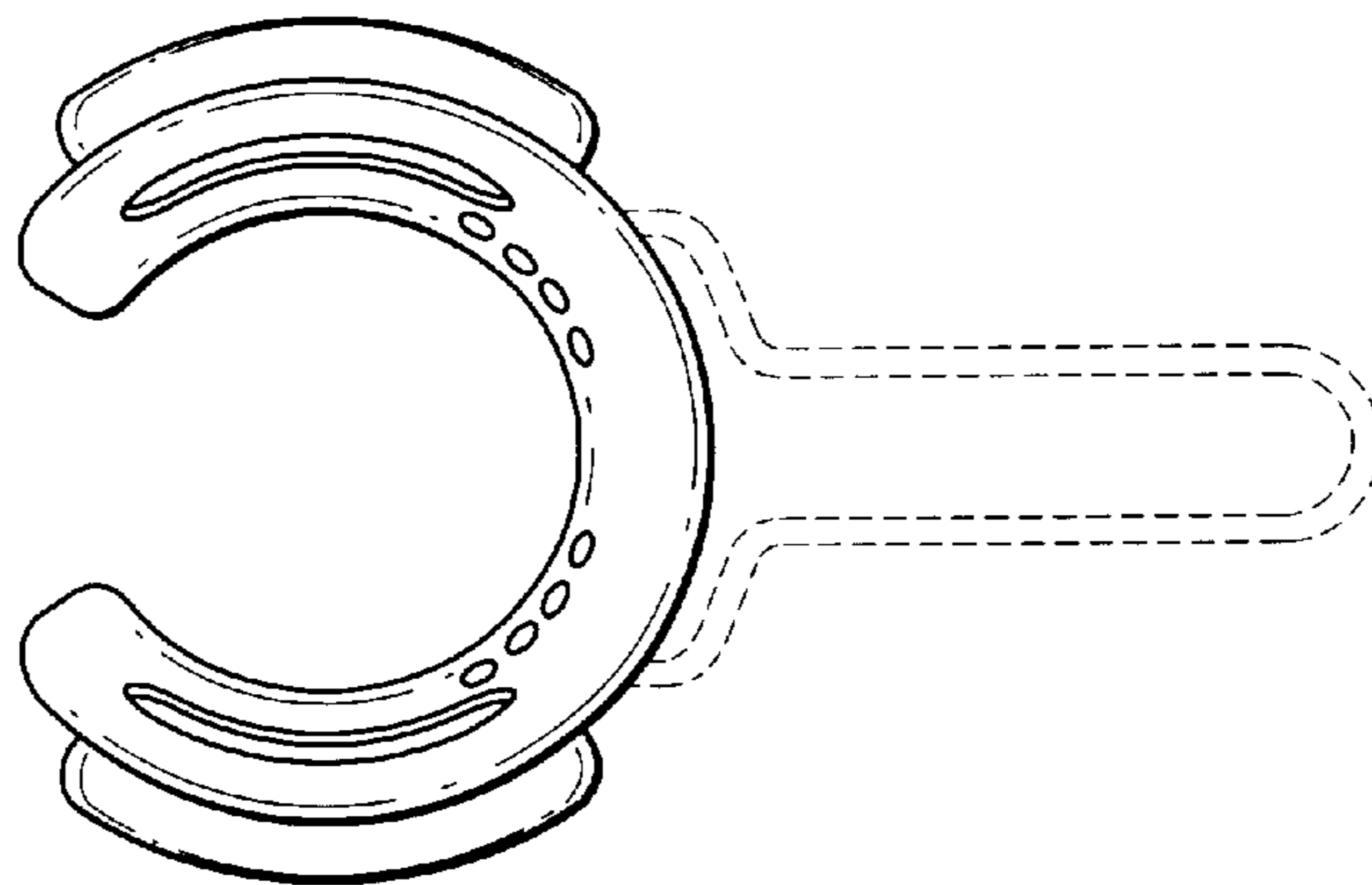


FIG. 6