

US00D505202S

(12) **United States Design Patent**
Chesnin

(10) **Patent No.:** **US D505,202 S**

(45) **Date of Patent:** **** May 17, 2005**

(54) **CATHETER HUB**

(75) **Inventor:** **Kenneth Chesnin**, Philadelphia, PA
(US)

(73) **Assignee:** **Medical Components, Inc.**,
Harleysville, PA (US)

(**) **Term:** **14 Years**

(21) **Appl. No.:** **29/201,149**

(22) **Filed:** **Mar. 11, 2004**

(51) **LOC (7) Cl.** **24-04**

(52) **U.S. Cl.** **D24/129; D24/130**

(58) **Field of Search** D24/112, 129,
D24/130, 108, 222; 604/533, 246, 283,
177, 179, 180, 171, 172, 174, 534, 535,
539, 284, 164, 96.01

(56) **References Cited**

U.S. PATENT DOCUMENTS

| | | | | | |
|--------------|---|---------|-----------------|-------|-----------|
| D251,734 S | * | 5/1979 | McCaw et al. | | D24/129 |
| D303,712 S | * | 9/1989 | Goldberg | | D24/129 |
| D459,802 S | * | 7/2002 | Cindrich | | D24/130 |
| 6,689,096 B1 | * | 2/2004 | Loubens et al. | | 604/96.01 |
| 6,719,727 B2 | | 4/2004 | Brimhall et al. | | |
| D498,844 S | * | 11/2004 | Diamond et al. | | D24/130 |

* cited by examiner

Primary Examiner—Ian Simmons

Assistant Examiner—Daniel Yu

(74) *Attorney, Agent, or Firm*—Joseph E. Maenner; Monte & McGraw, P.C.

(57) **CLAIM**

The ornamental design for a catheter hub, as shown and described.

DESCRIPTION

FIG. 1 is a perspective view of a catheter hub according to a first embodiment of the present invention.

FIG. 2 is a top view of the catheter hub shown in FIG. 1, with the bottom view being the same.

FIG. 3 is a right side view of the catheter hub shown in FIG. 1, with the left side view being the same.

FIG. 4 is a view from the distal end of the catheter hub shown in FIG. 1.

FIG. 5 is a view from the proximal end of the catheter hub shown in FIG. 1.

FIG. 6 is a perspective view of a catheter hub according to a second embodiment of the present invention.

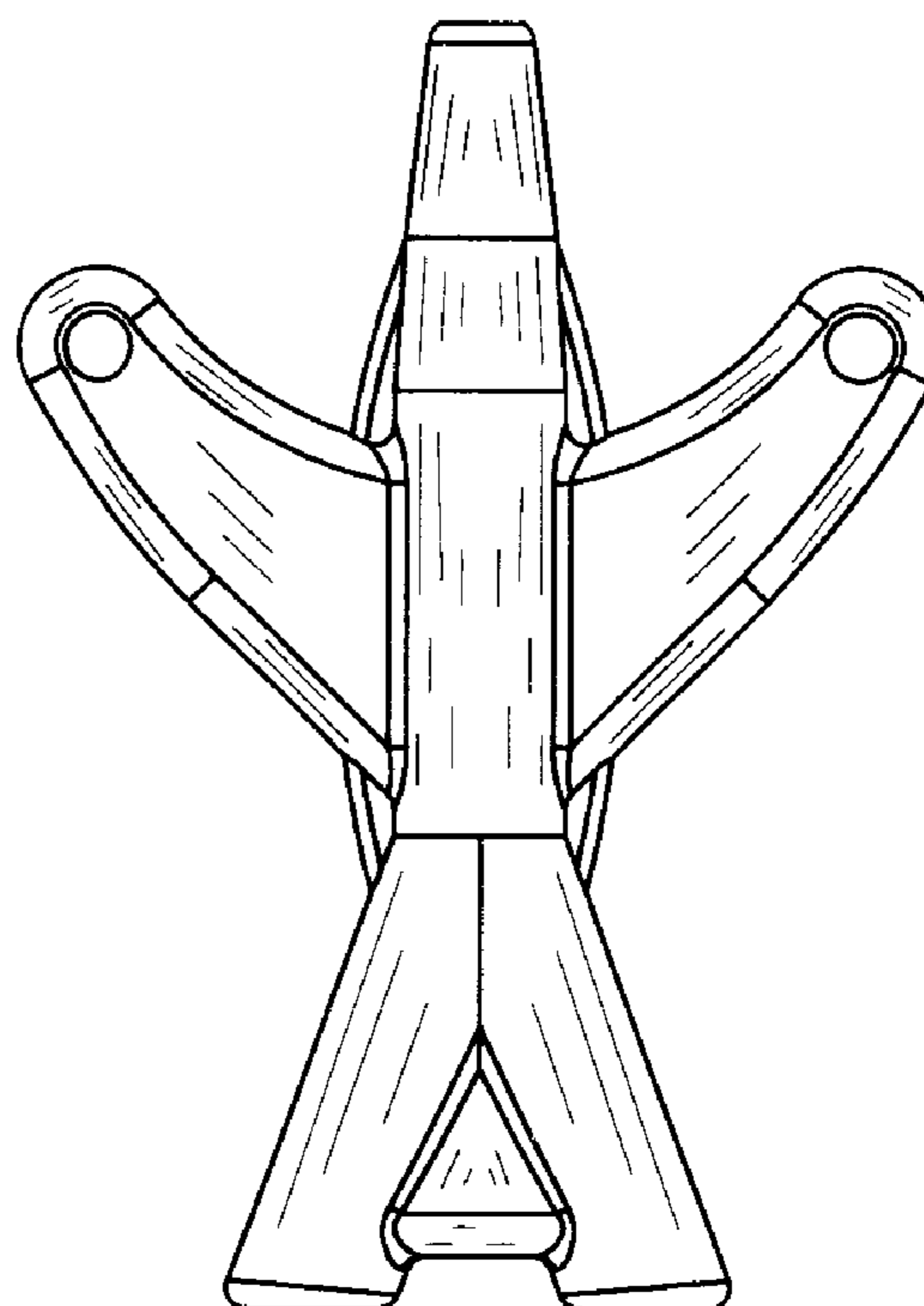
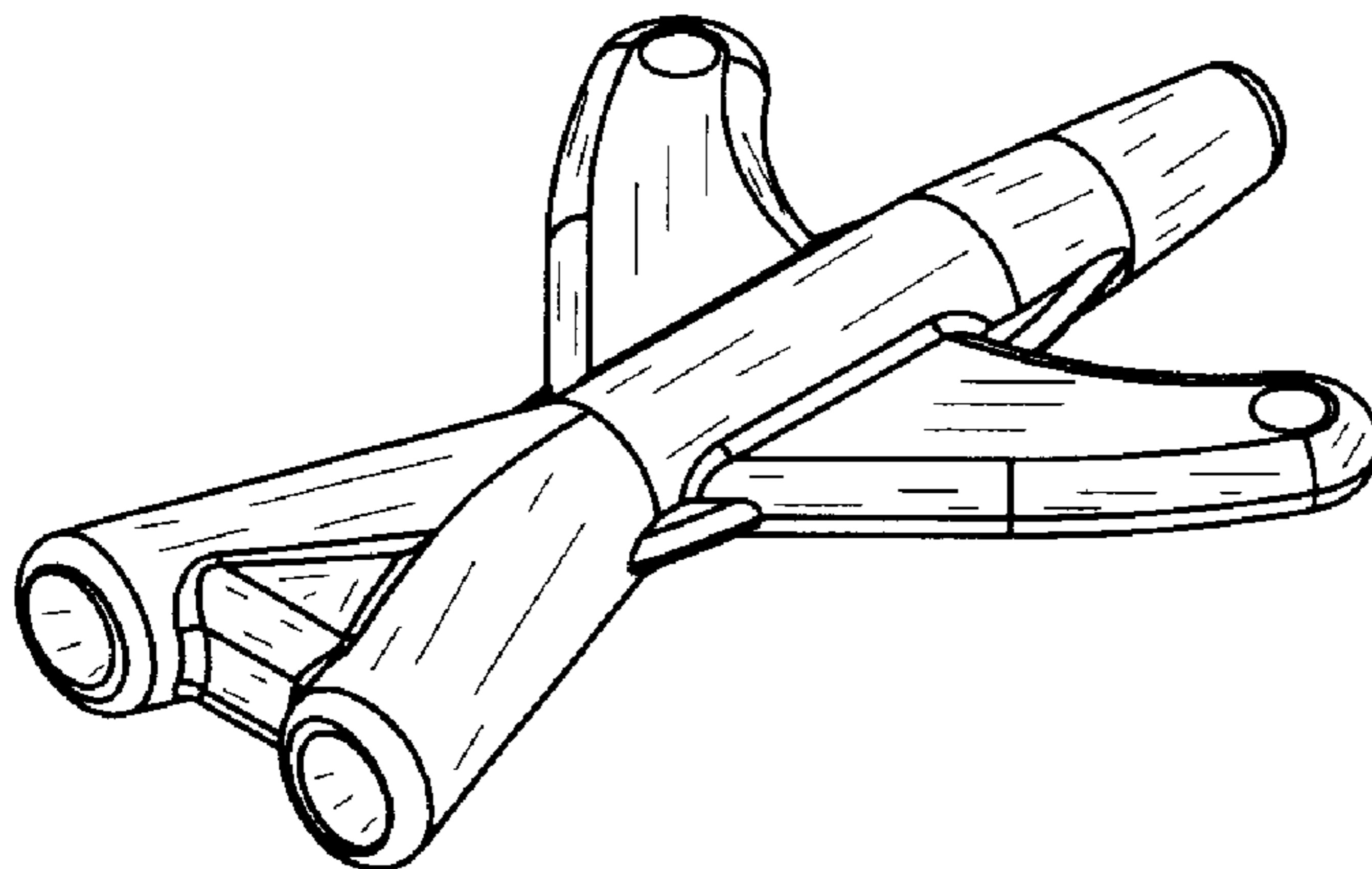
FIG. 7 is a top view of the catheter hub shown in FIG. 6, with the bottom view being the same.

FIG. 8 is a right side view of the catheter hub shown in FIG. 6, with the left side view being the same.

FIG. 9 is a view from the distal end of the catheter hub shown in FIG. 6; and,

FIG. 10 is a view from the proximal end of the catheter hub shown in FIG. 6.

1 Claim, 2 Drawing Sheets



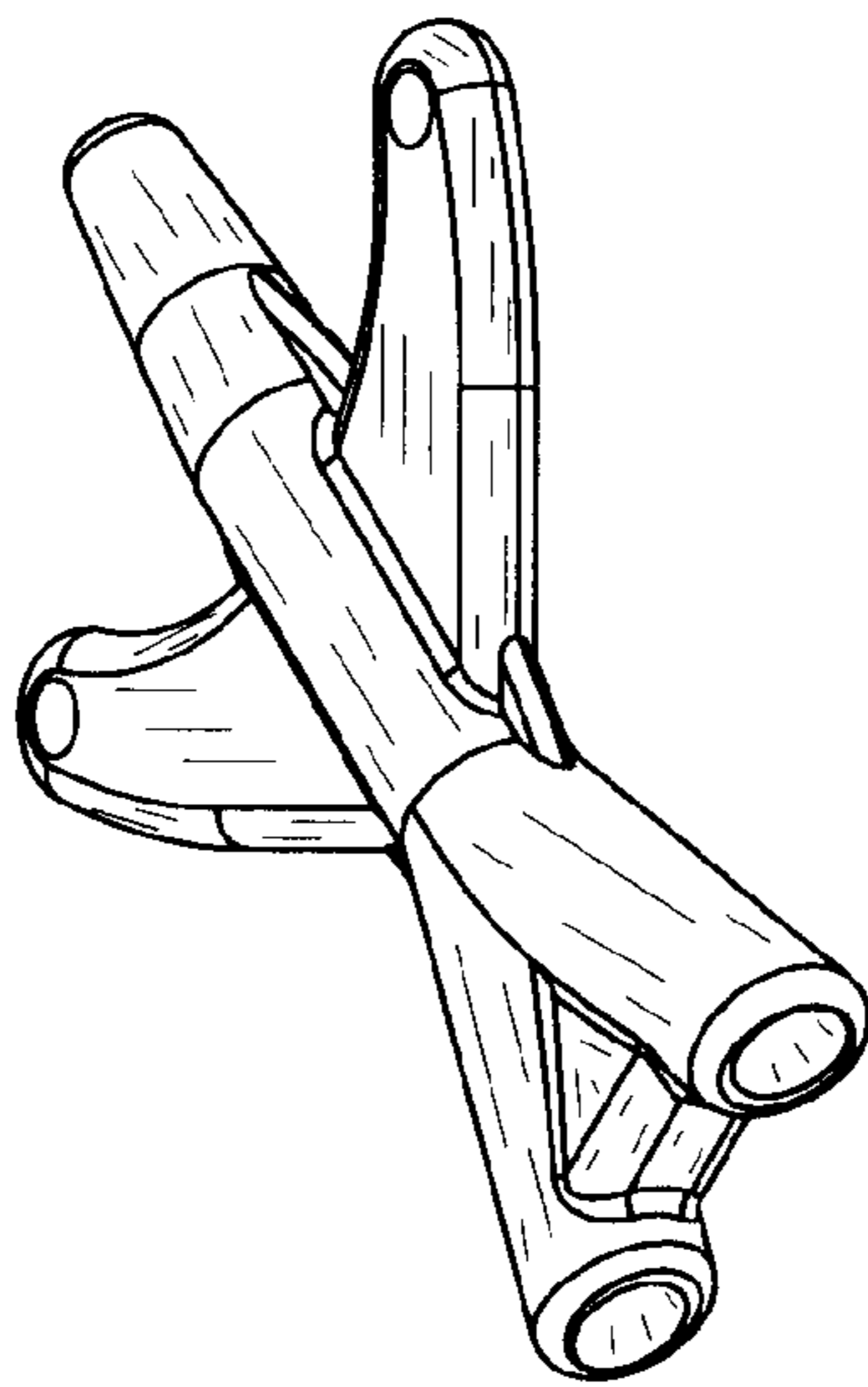


FIG. 1

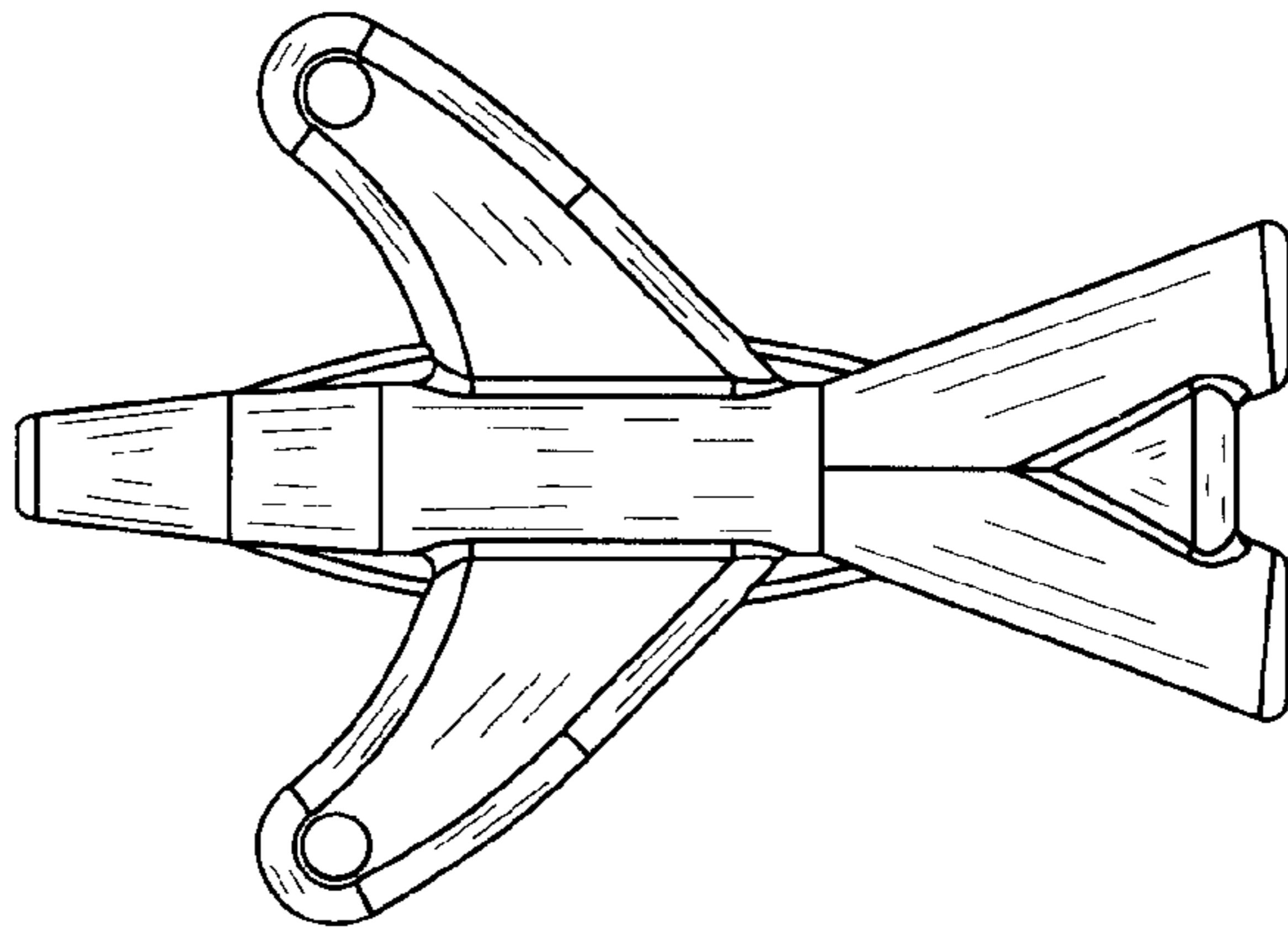


FIG. 2

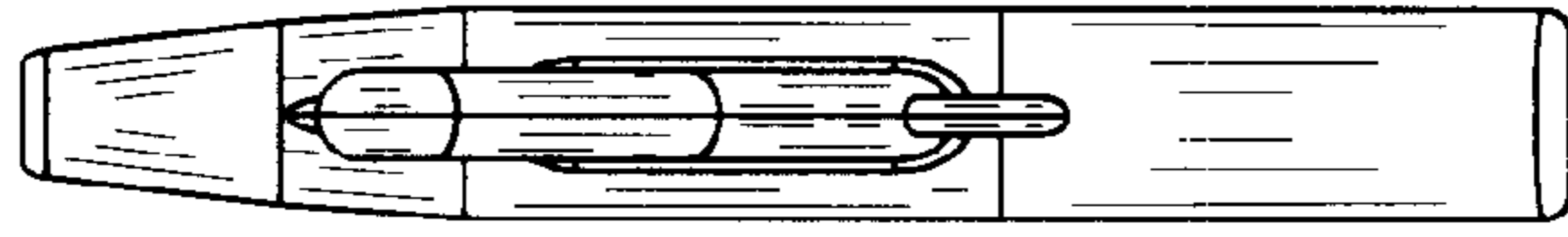


FIG. 3



FIG. 4

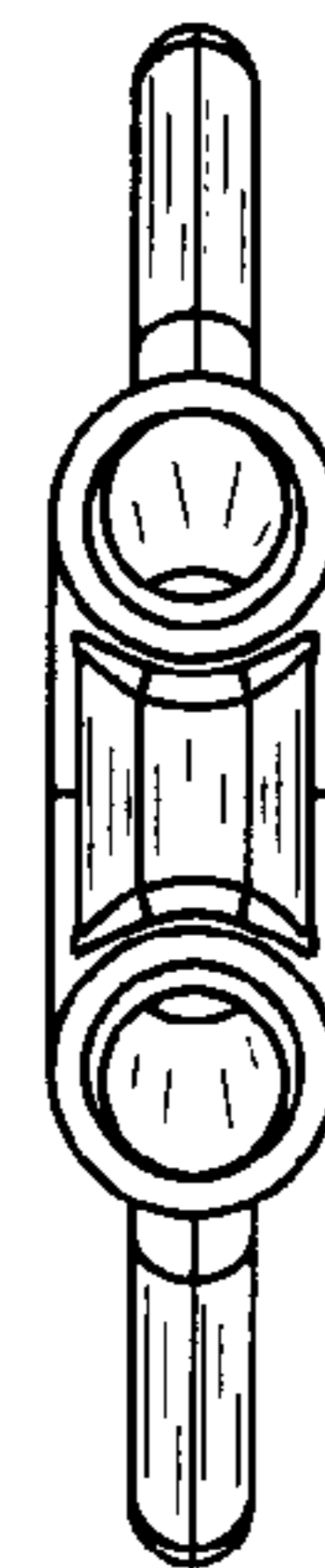


FIG. 5



FIG. 9

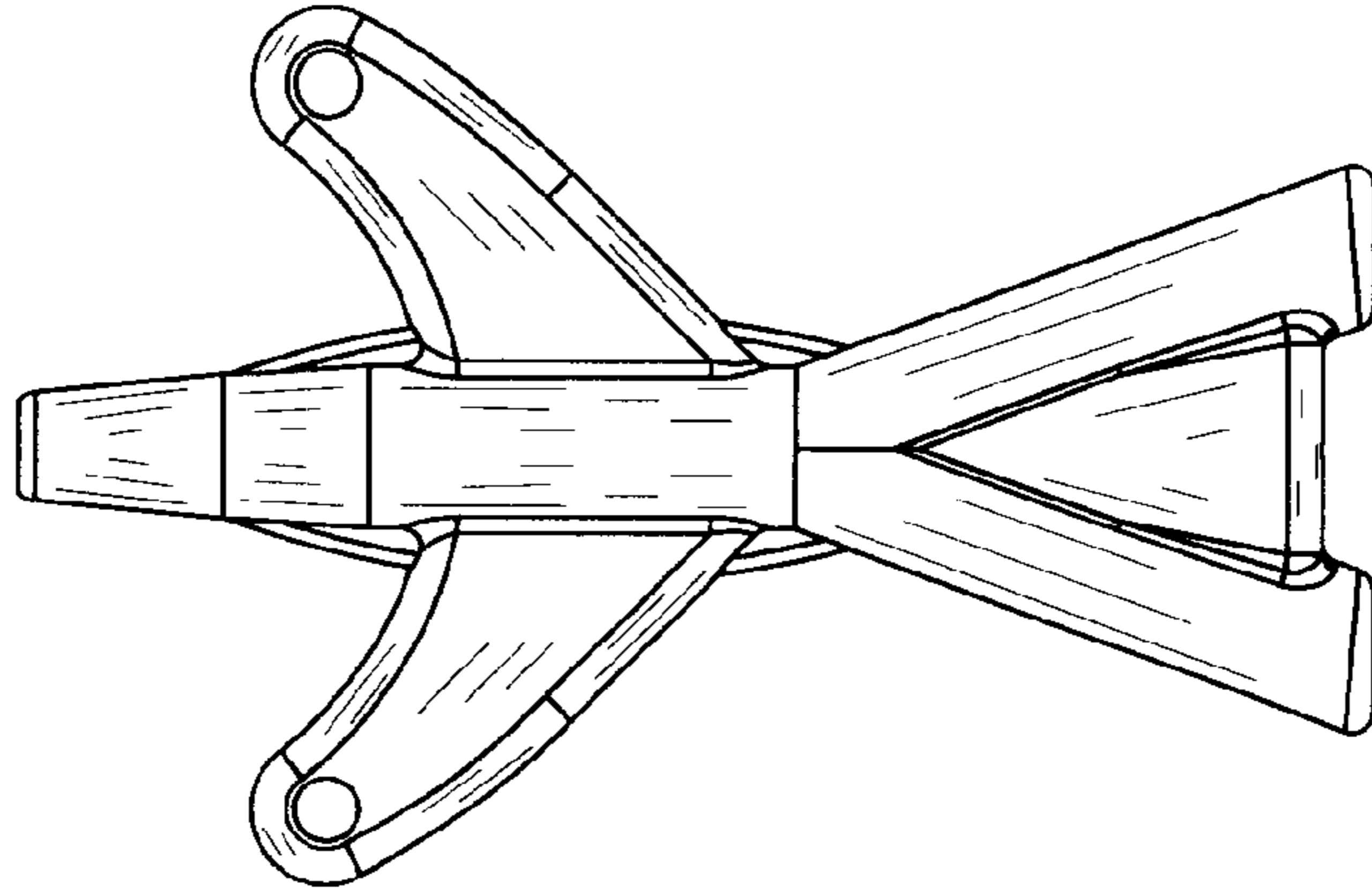


FIG. 7

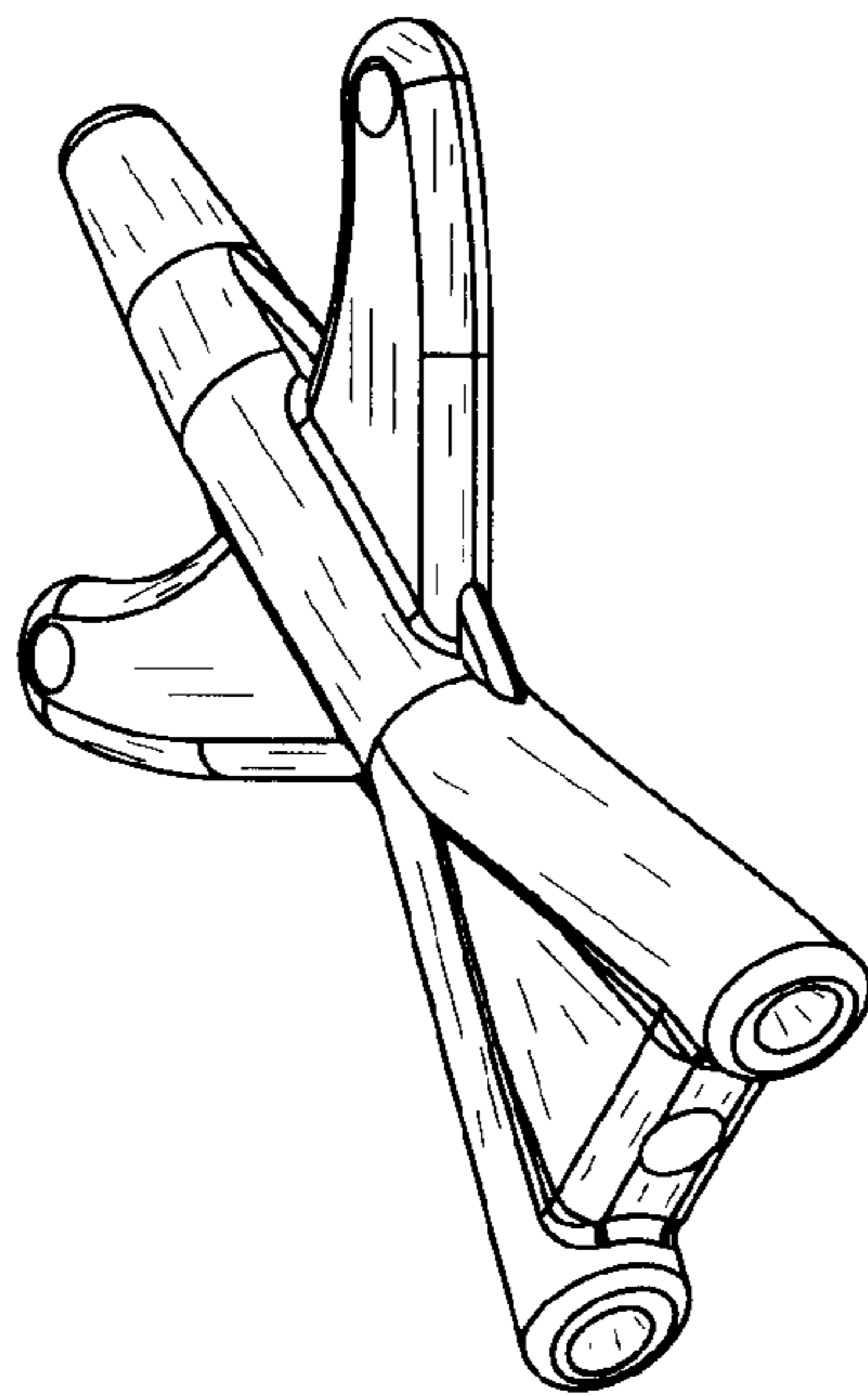


FIG. 6

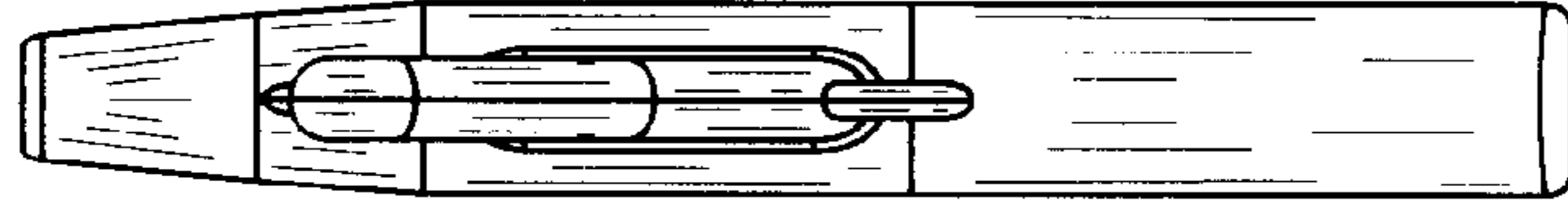


FIG. 8



FIG. 10