



US00D505200S

(12) **United States Design Patent**
Simpson et al.

(10) **Patent No.:** **US D505,200 S**
(45) **Date of Patent:** **** May 17, 2005**

(54) **FIXED NEEDLE ASSEMBLY**

(75) Inventors: **Roddi James Simpson**, Watchung, NJ (US); **Steven Huu Nguyen**, Somerset, NJ (US)

(73) Assignee: **Smiths Medical ASD, Inc.**, Keene, NH (US)

(**) Term: **14 Years**

(21) Appl. No.: **29/189,587**

(22) Filed: **Sep. 9, 2003**

(51) **LOC (7) Cl.** **24-02**

(52) **U.S. Cl.** **D24/114**

(58) **Field of Search** D24/112, 114, D24/130; 604/263, 198, 195, 197, 192, 164.08, 187, 110; 128/919

(56) **References Cited**

U.S. PATENT DOCUMENTS

5,733,265	A	*	3/1998	Bachman et al.	604/263
5,868,716	A	*	2/1999	Sweeney et al.	604/263
6,582,397	B2	*	6/2003	Alesi et al.	604/110
6,719,737	B2	*	4/2004	Kobayashi	604/263
D496,457	S	*	9/2004	Prais et al.	D24/130
2004/0059302	A1	*	3/2004	Crawford et al.	604/263
2004/0078007	A1	*	4/2004	Nguyen	604/263

* cited by examiner

Primary Examiner—Ian Simmons

Assistant Examiner—Daniel Yu

(74) *Attorney, Agent, or Firm*—Louis Woo

(57) **CLAIM**

The ornamental design for fixed needle assembly, as shown and described.

DESCRIPTION

FIG. 1 is a perspective view of a fixed needle assembly showing our new design with the needle cover shown in closed position;

FIG. 2 is a top plan view thereof;

FIG. 3 is a side elevational view thereof;

FIG. 4 is a bottom plan view thereof;

FIG. 5 is a front elevational view thereof;

FIG. 6 is a rear elevational view thereof;

FIG. 7 is a perspective view thereof, with the needle cover shown in open position;

FIG. 8 is a top plan view of the needle cover shown in closed position of the fixed needle assembly, with the syringe portion removed for ease of illustration;

FIG. 9 is a side elevational view thereof;

FIG. 10 is a bottom plan view thereof;

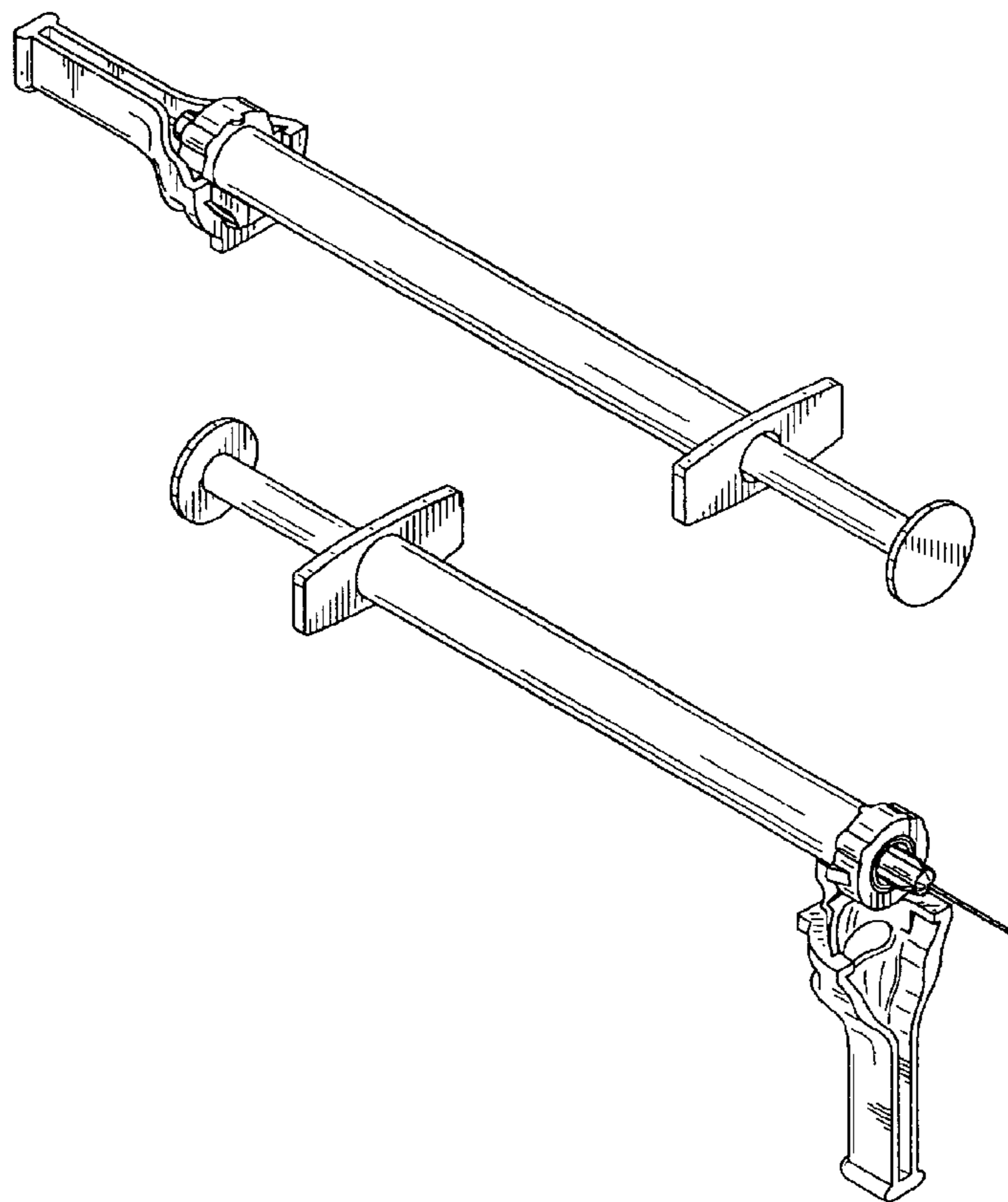
FIG. 11 is a perspective view thereof;

FIG. 12 is a rear elevational view thereof;

FIG. 13 is a front elevational view thereof; and,

FIG. 14 is a perspective view thereof, with the needle cover shown in open position.

1 Claim, 2 Drawing Sheets



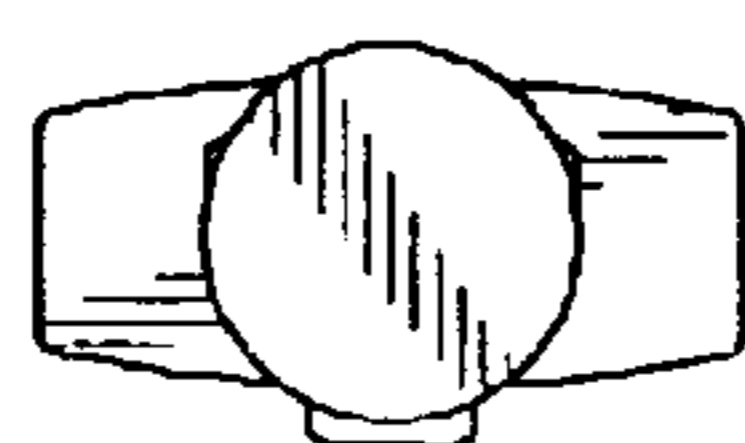
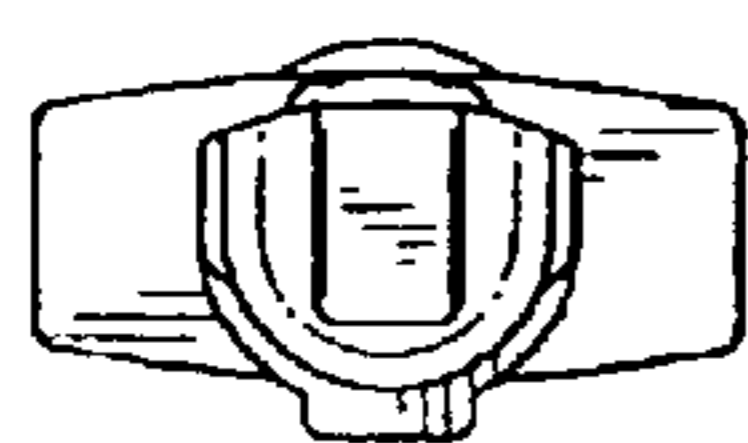
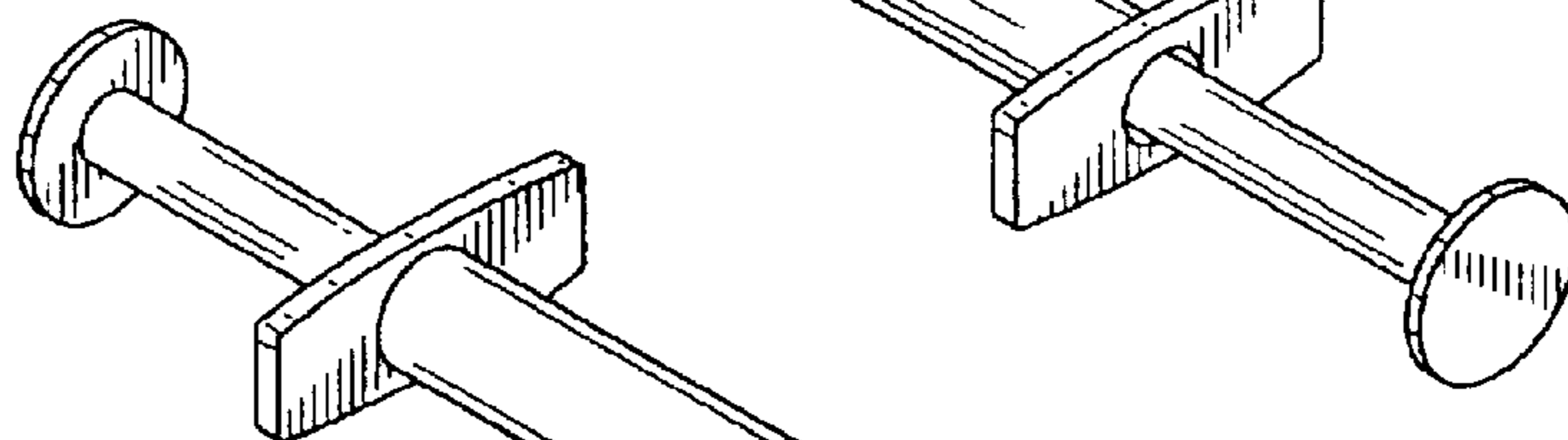
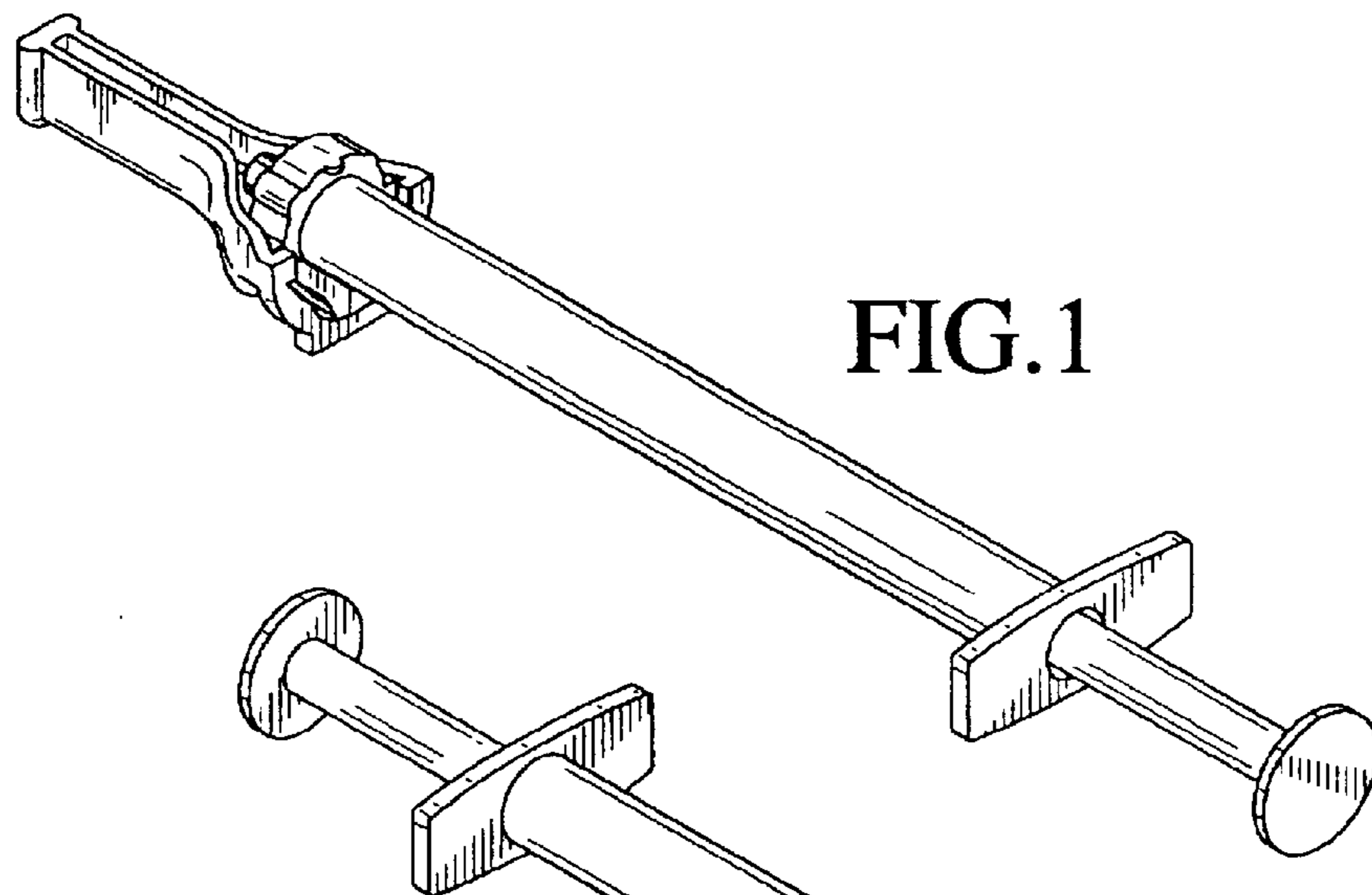
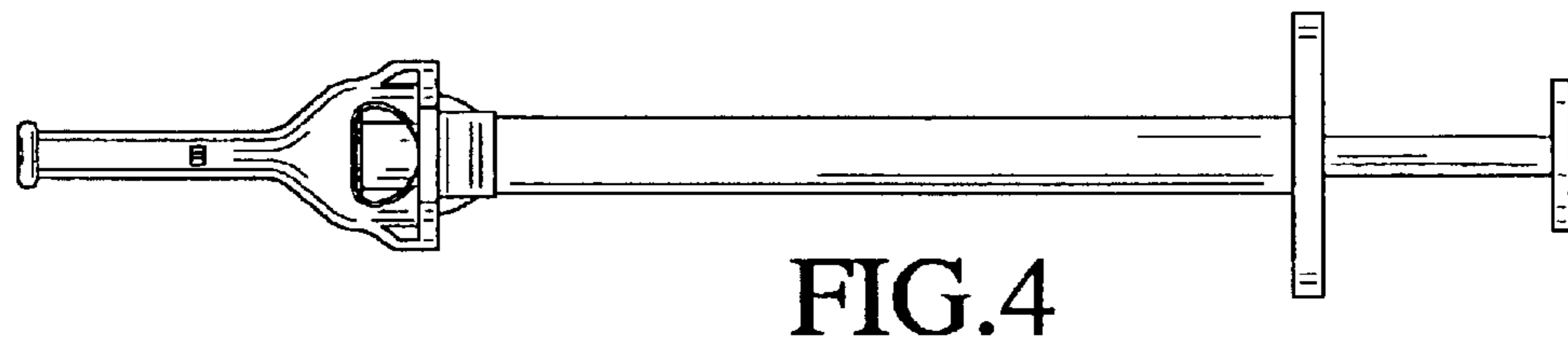
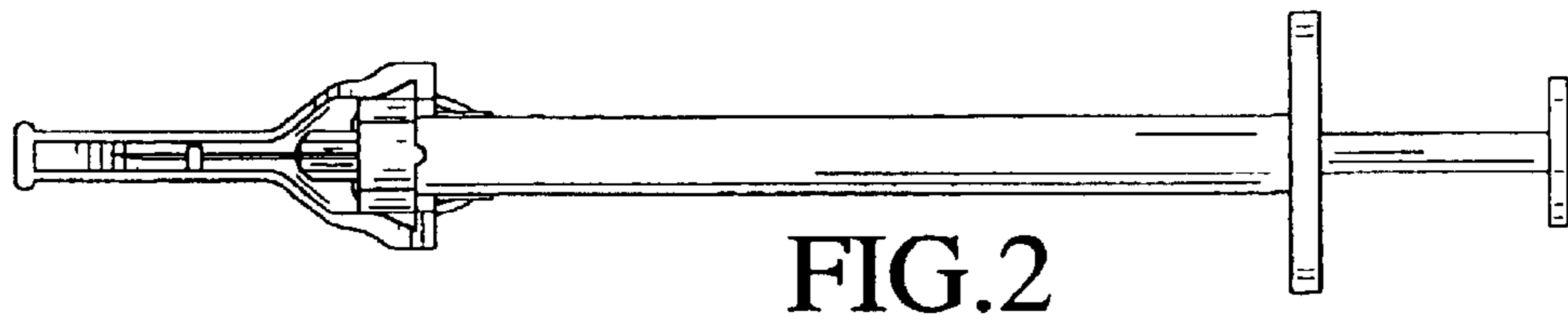
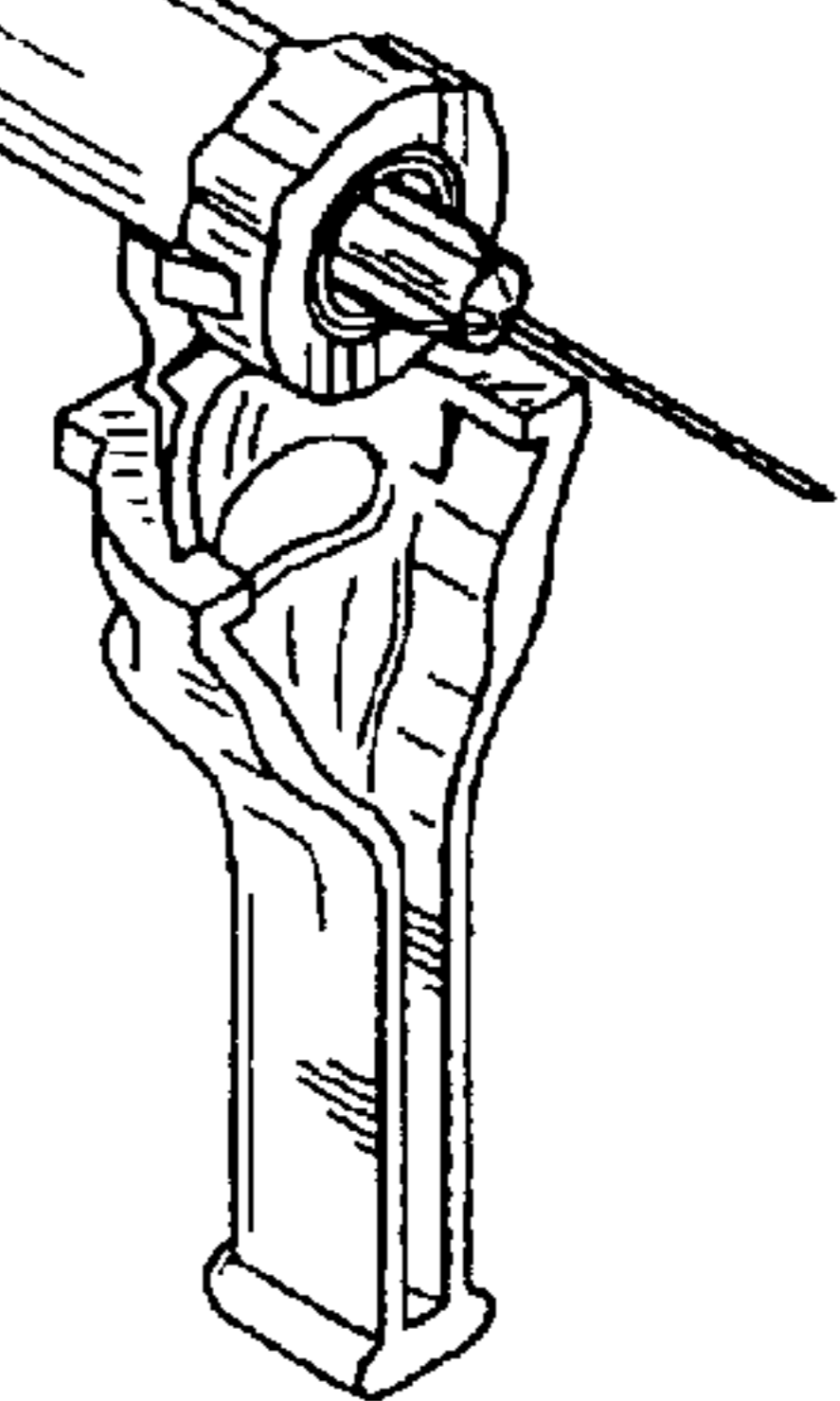


FIG. 5

FIG. 6



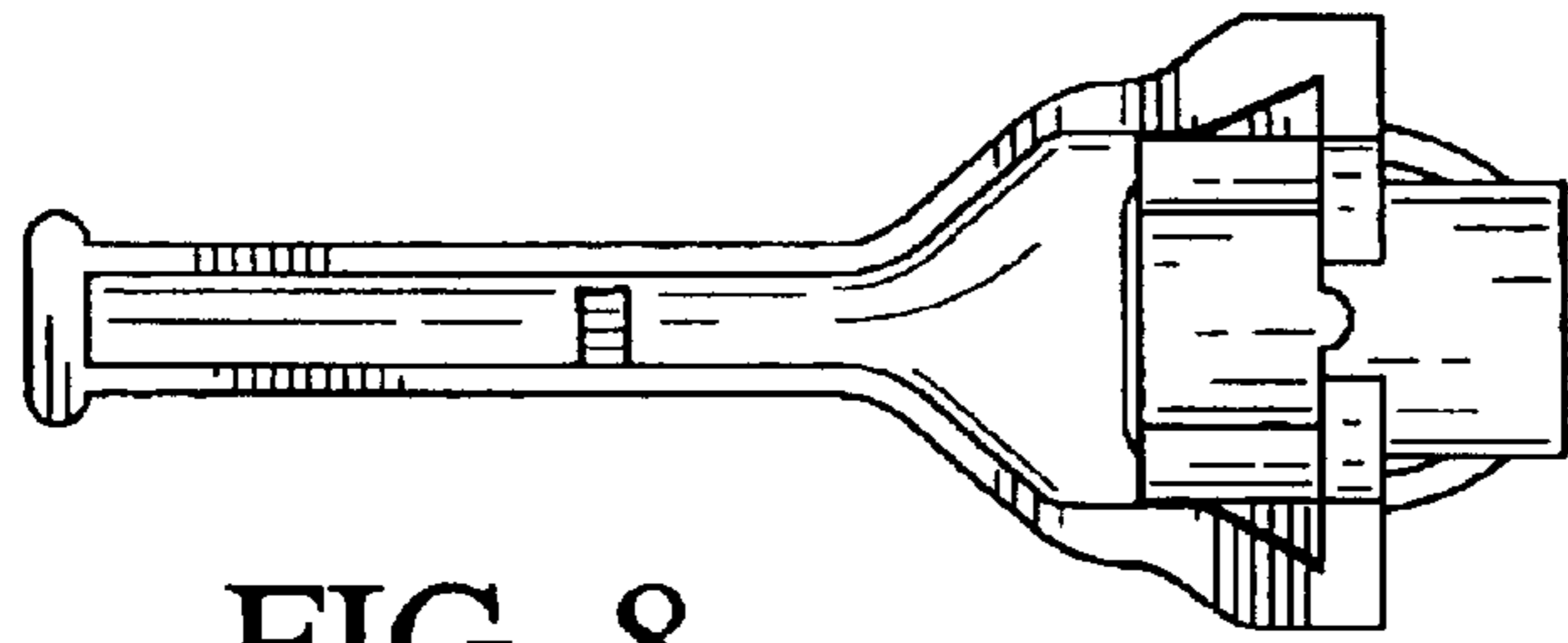


FIG. 8

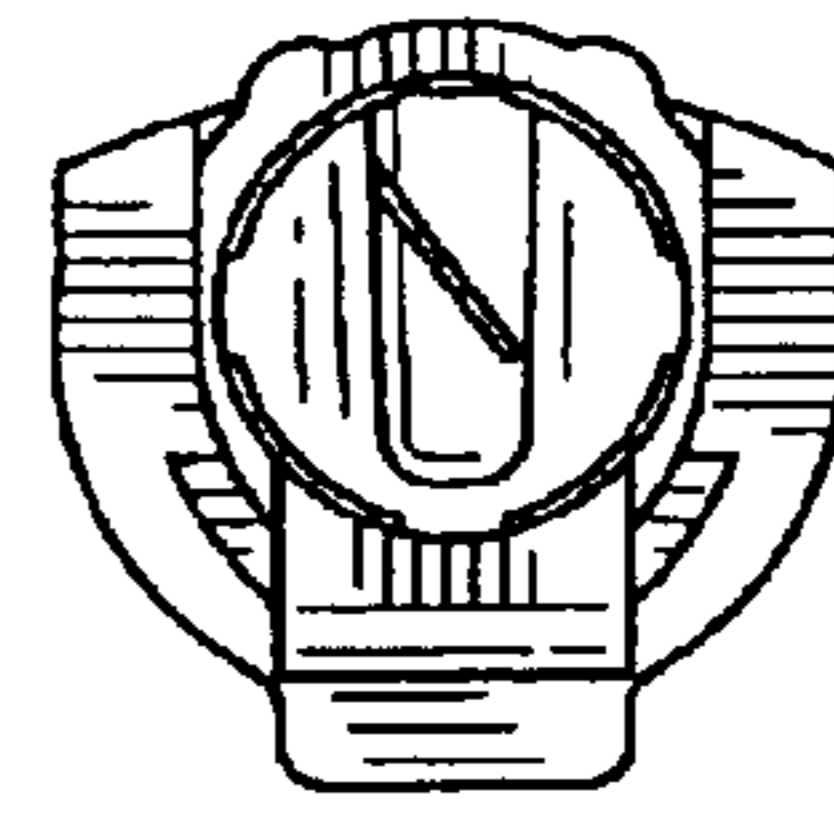


FIG. 12

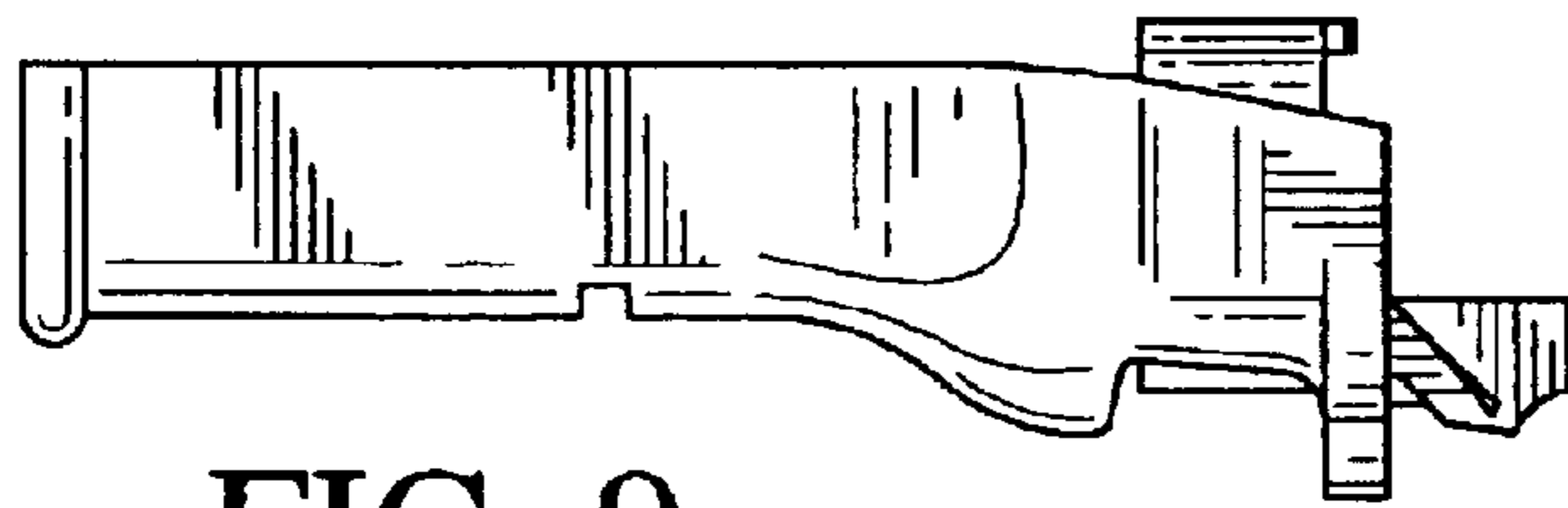


FIG. 9

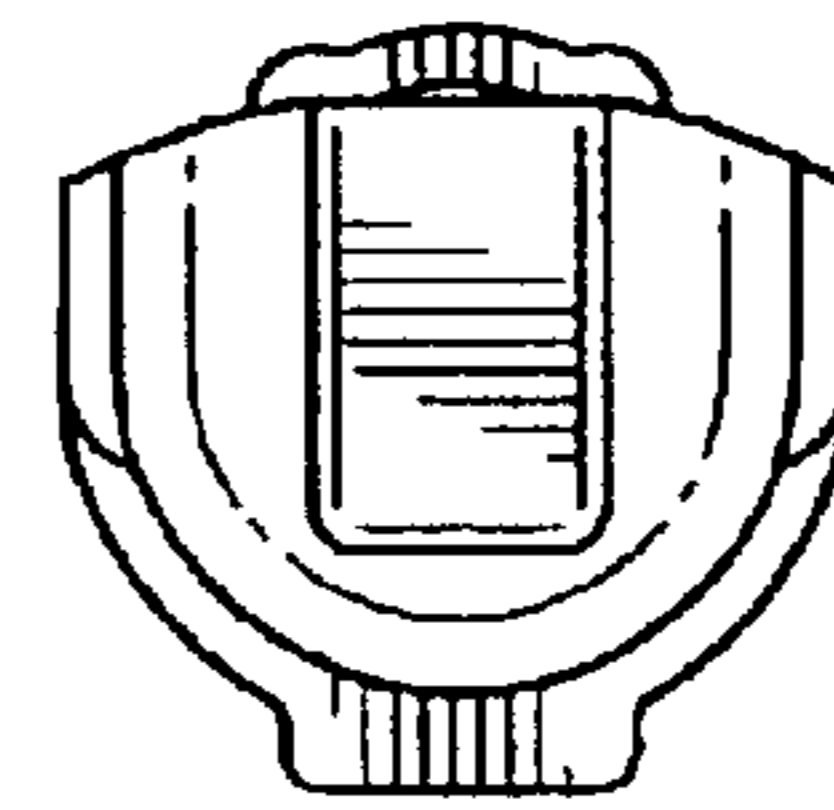


FIG. 13

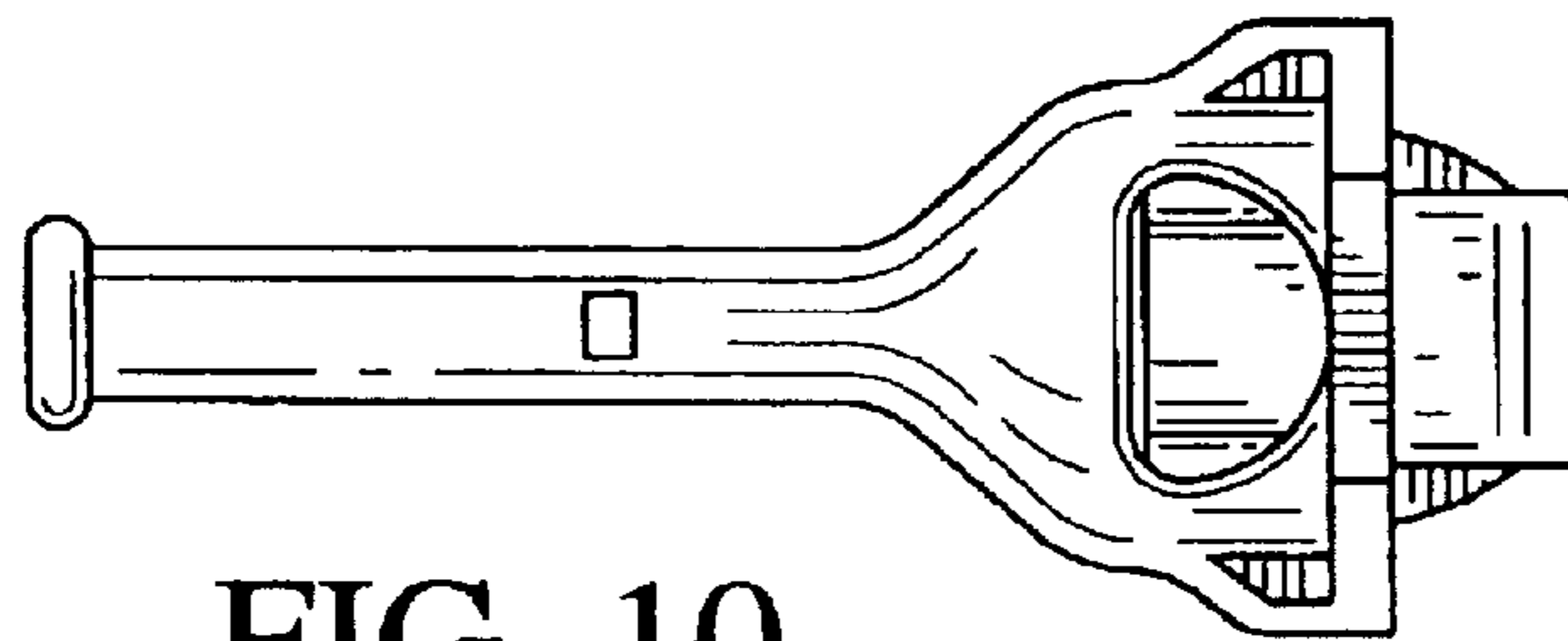


FIG. 10

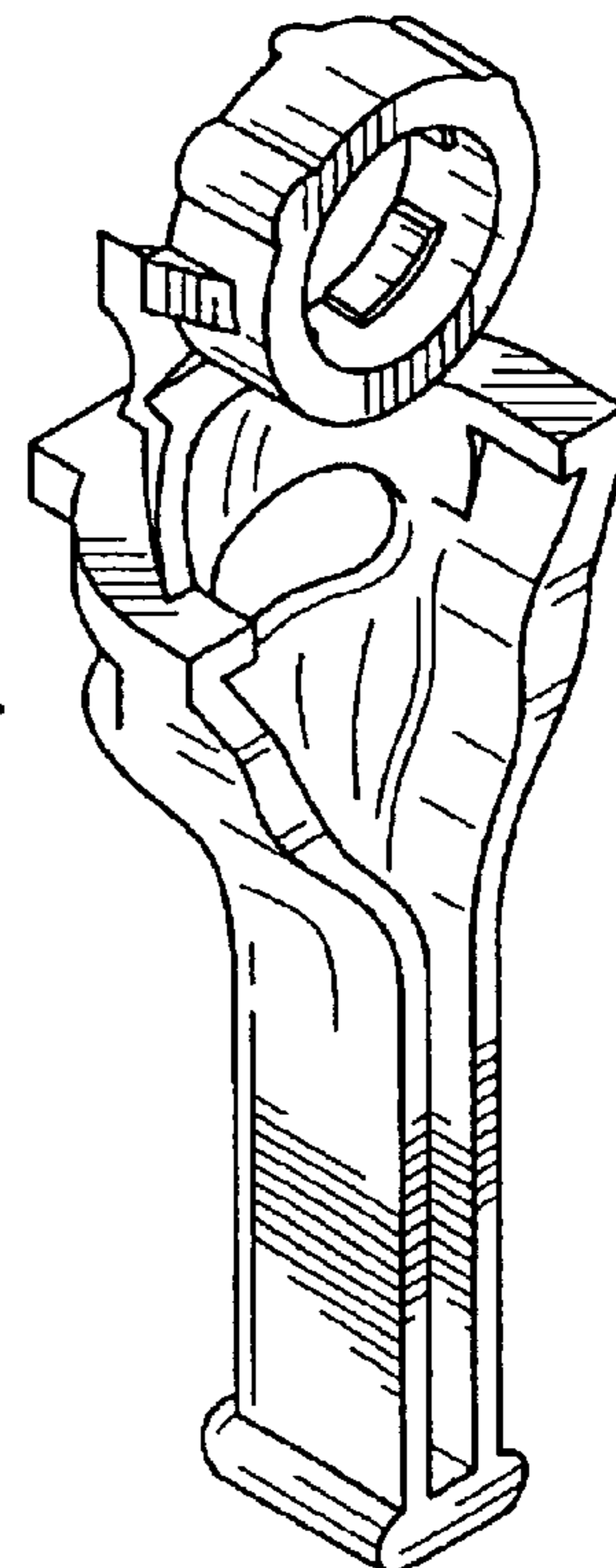


FIG. 14

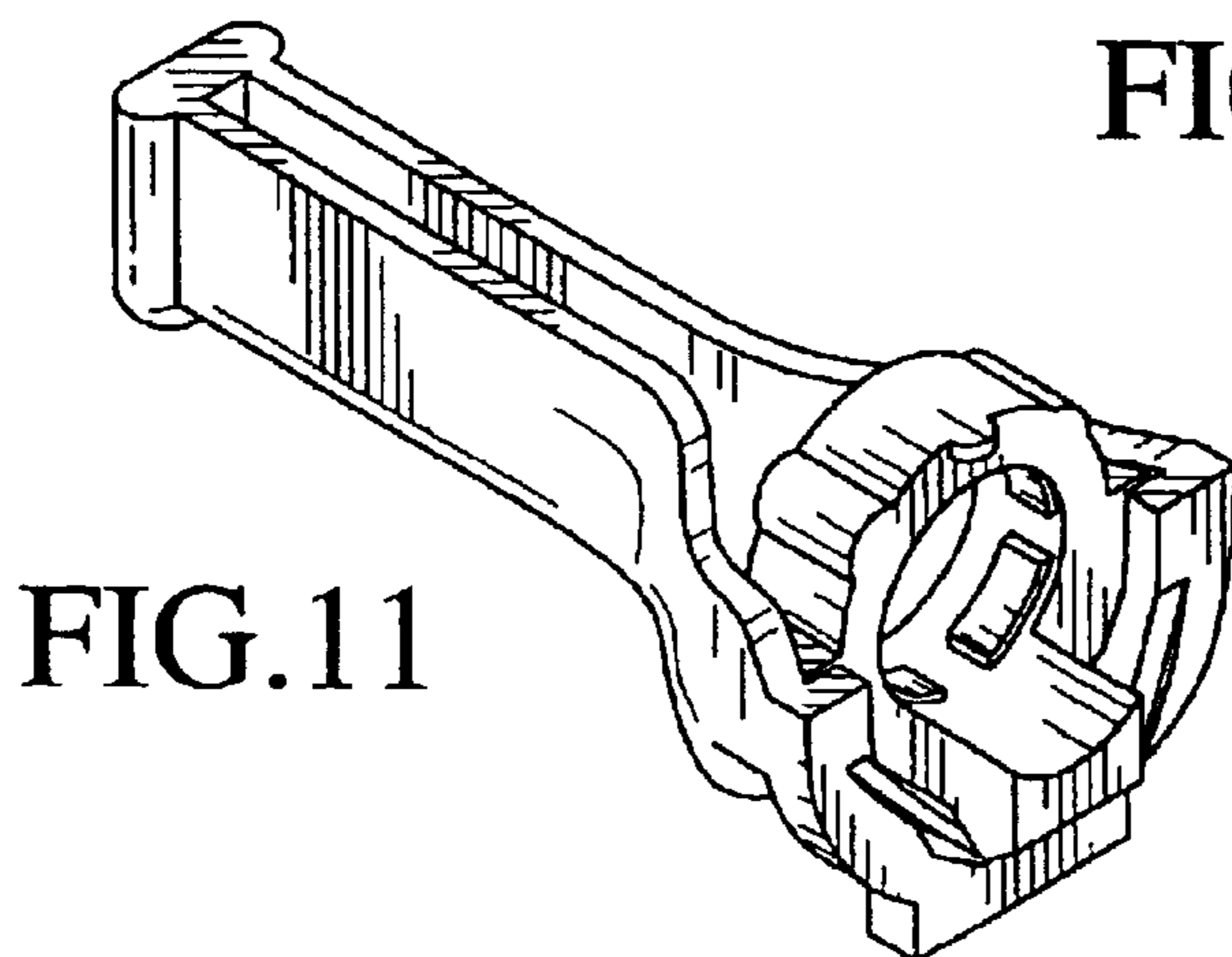


FIG. 11