

US00D505199S

(12) **United States Design Patent**  
**Beck et al.**

(10) **Patent No.:** **US D505,199 S**

(45) **Date of Patent:** **\*\* \*May 17, 2005**

(54) **FEEDING PUMP CARTRIDGE**

(75) Inventors: **Kent F. Beck**, Layton, UT (US); **Scott D. Miles**, Sandy, UT (US)

(73) Assignee: **Zevex, Inc.**, Salt Lake City, UT (US)

(\* ) Notice: This patent is subject to a terminal disclaimer.

(\*\* ) Term: **14 Years**

(21) Appl. No.: **29/168,959**

(22) Filed: **Oct. 10, 2002**

**Related U.S. Application Data**

(63) Continuation-in-part of application No. 29/163,153, filed on Jun. 28, 2002.

(51) **LOC (7) Cl.** ..... **24-01**

(52) **U.S. Cl.** ..... **D24/111**

(58) **Field of Search** ..... D24/111, 129, D24/108; 604/131, 246, 154, 153, 249, 151, 67; 128/DIG. 12; 417/477.1, 477.2, 477.4, 477.5, 477.14

(56) **References Cited**

**U.S. PATENT DOCUMENTS**

2,471,623 A	5/1949	Hubbell
2,518,165 A	8/1950	Millard
2,858,095 A	10/1958	Harris et al.
2,999,499 A	9/1961	Willet
3,213,882 A	10/1965	Beatty
3,329,391 A	7/1967	Deane
3,998,364 A	12/1976	Hollander
4,065,093 A	12/1977	Phillips
4,106,675 A	8/1978	Taylor
4,142,645 A	3/1979	Walton
4,230,151 A	10/1980	Jonsson
4,236,880 A	12/1980	Archibald
4,381,591 A	5/1983	Barger et al.
4,382,453 A	5/1983	Bujan et al.
4,425,116 A	1/1984	Bilstad et al.

4,453,295 A	6/1984	Laszczower
4,524,802 A	6/1985	Lawrence et al.
4,527,588 A	7/1985	Tseo et al.
4,559,045 A	12/1985	Danby et al.
4,624,663 A	11/1986	Danby et al.
4,634,092 A	1/1987	Daniell et al.
4,645,489 A	2/1987	Krumme et al.
4,689,043 A	8/1987	Bisha
4,728,324 A	3/1988	Steigerwald et al.
4,730,635 A	3/1988	Linden
4,913,401 A	4/1990	Handke
4,950,245 A	8/1990	Brown et al.

(Continued)

**FOREIGN PATENT DOCUMENTS**

EP	0 150 666 A1	9/1984
EP	0 423 978 A2	10/1990
EP	0 483 794 A1	10/1991

*Primary Examiner*—Ian Simmons

(74) *Attorney, Agent, or Firm*—Bateman IP Law Group

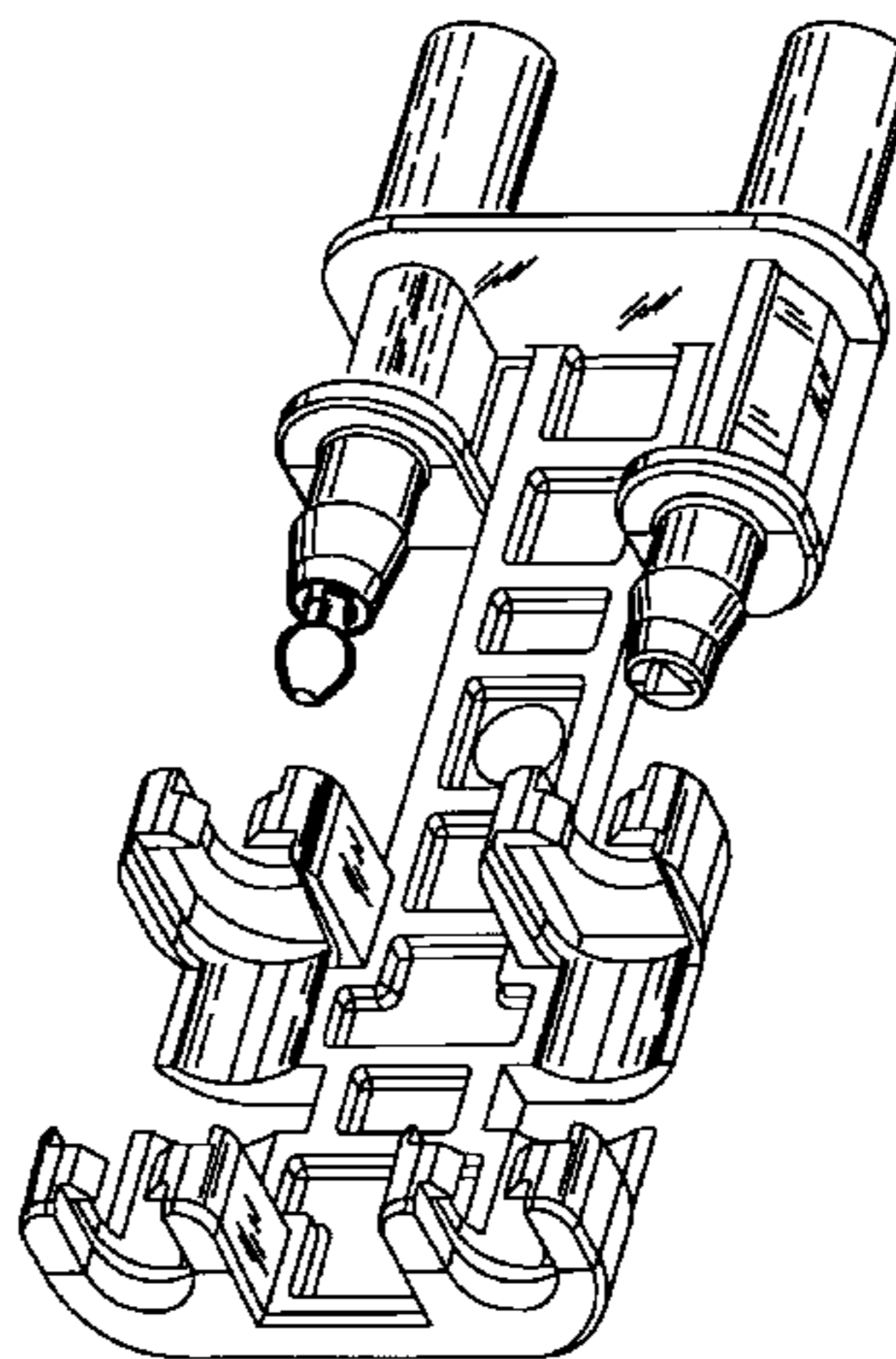
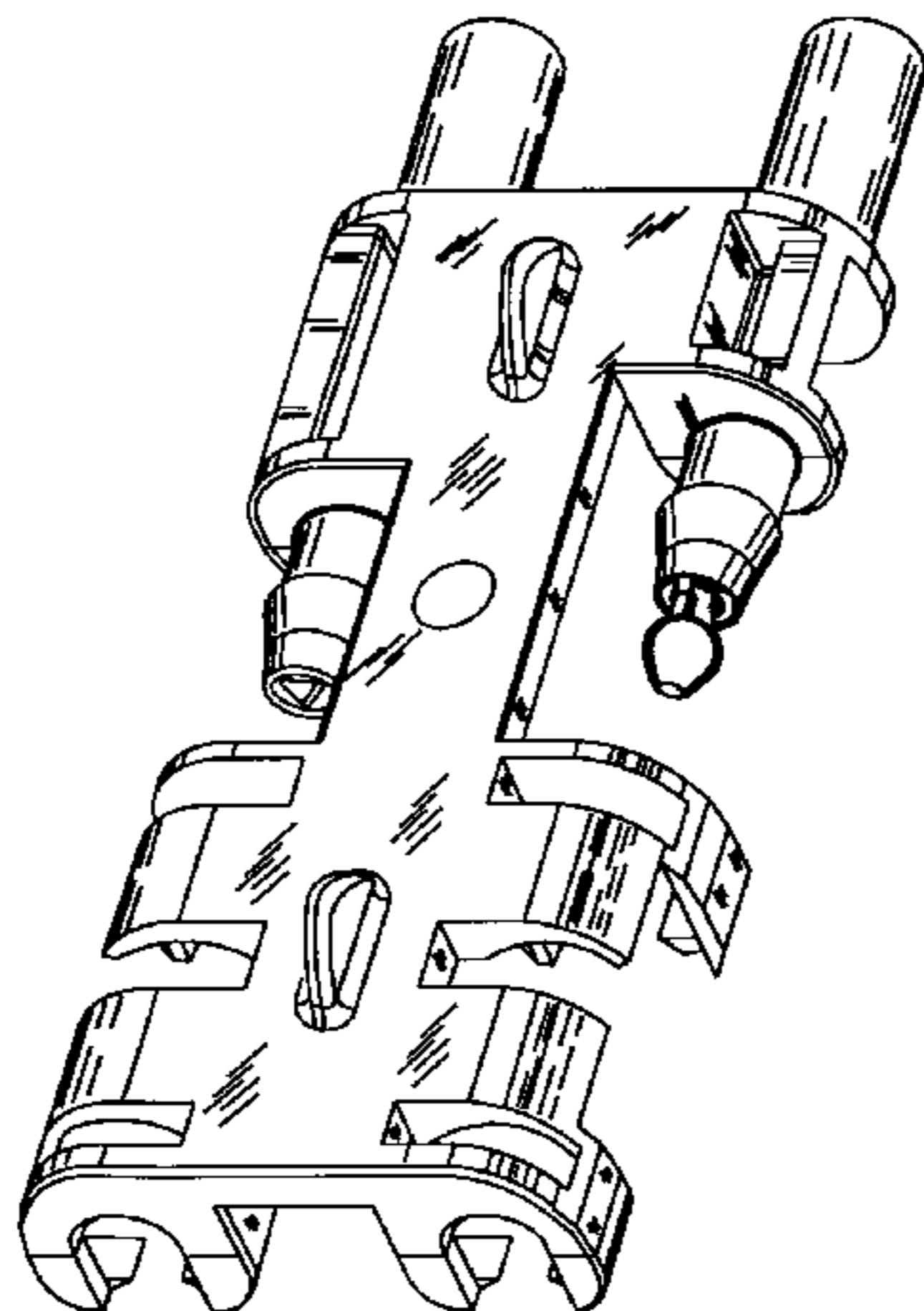
(57) **CLAIM**

The ornamental design for an feeding pump cartridge, as shown and described.

**DESCRIPTION**

FIG. 1 shows a perspective view of feeding pump cartridge made in accordance with the design of the present invention; FIG. 2 shows a bottom perspective view of the feeding pump cartridge of FIG. 1; FIG. 3 shows a top view of the feeding pump cartridge of FIG. 1; FIG. 4 shows a right side view of the feeding pump cartridge of FIG. 1; FIG. 5 shows a left side view of the feeding pump cartridge of FIG. 1; FIG. 6 shows an end view of the feeding pump cartridge of FIG. 1; and, FIG. 7 shows an opposing end of the feeding pump cartridge of FIG. 1.

**1 Claim, 2 Drawing Sheets**



# US D505,199 S

Page 2

---

## U.S. PATENT DOCUMENTS

4,960,259 A	10/1990	Sunnanväder et al.	5,396,925 A	3/1995	Poli
5,020,562 A	6/1991	Richmond et al.	5,482,446 A	1/1996	Williamson et al.
5,022,422 A	6/1991	di Palma	D374,718 S	* 10/1996	Dodge et al. .... D24/111
D319,312 S	* 8/1991	Schneider ..... D24/129	5,704,584 A	1/1998	Winterer et al.
5,083,561 A	1/1992	Russo	5,807,312 A	9/1998	Dzwonkiewicz
5,219,327 A	6/1993	Okada	5,810,323 A	9/1998	Winterer et al.
5,238,218 A	8/1993	Mackal	D455,489 S	* 4/2002	Beck et al. .... D24/111
5,257,978 A	11/1993	Haber et al.	6,659,976 B2	* 12/2003	Beck et al. .... 604/67
5,265,847 A	11/1993	Vorhis			

\* cited by examiner

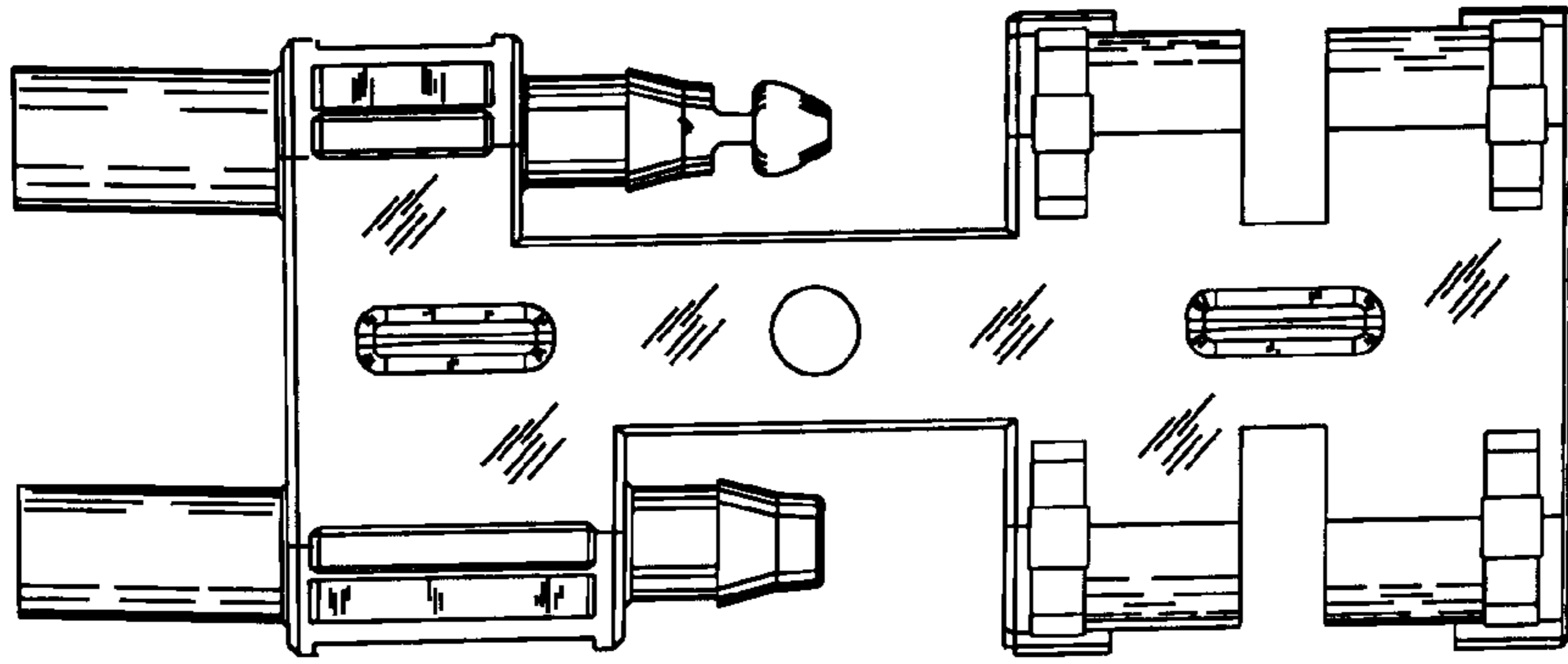


FIG. 3

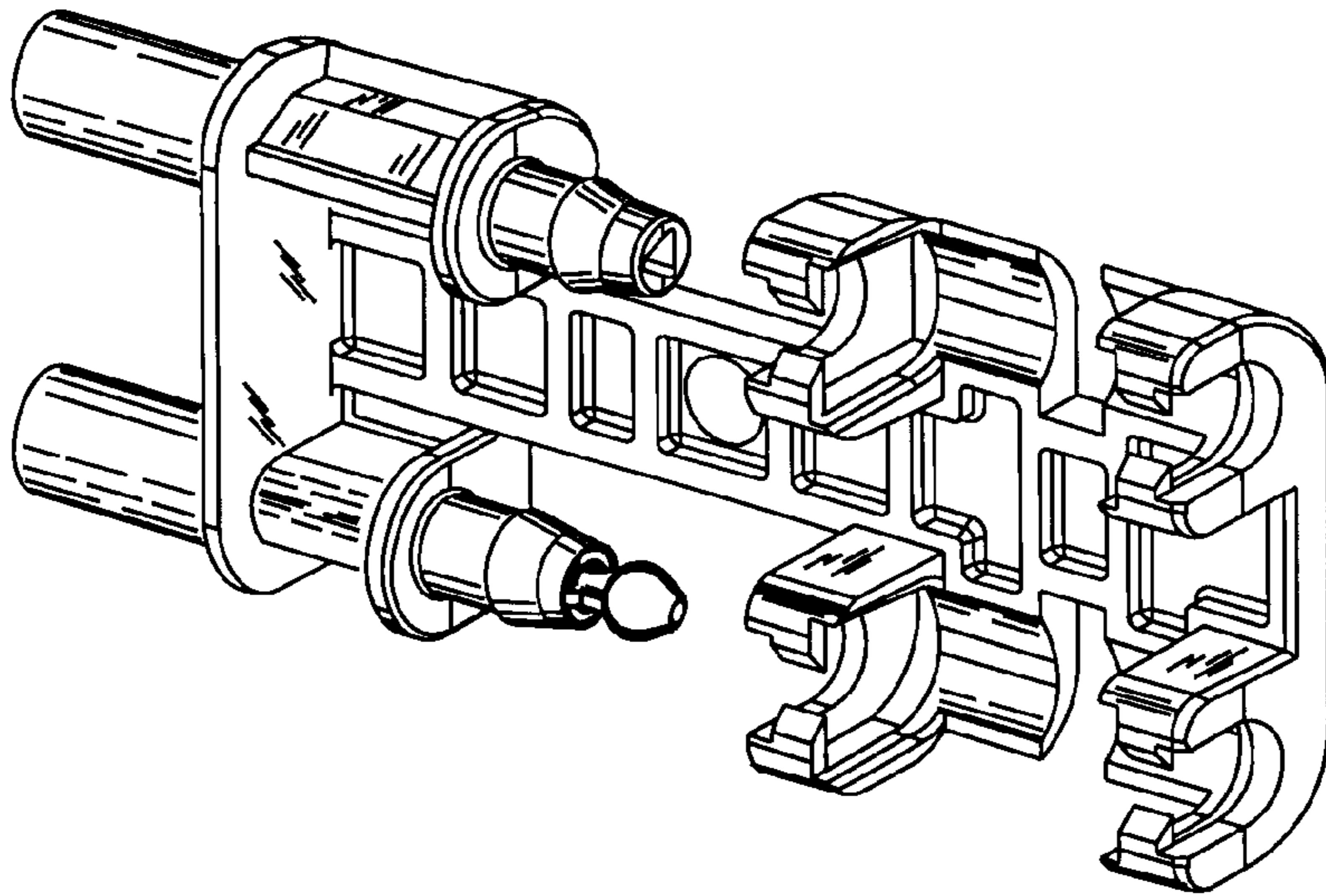


FIG. 2

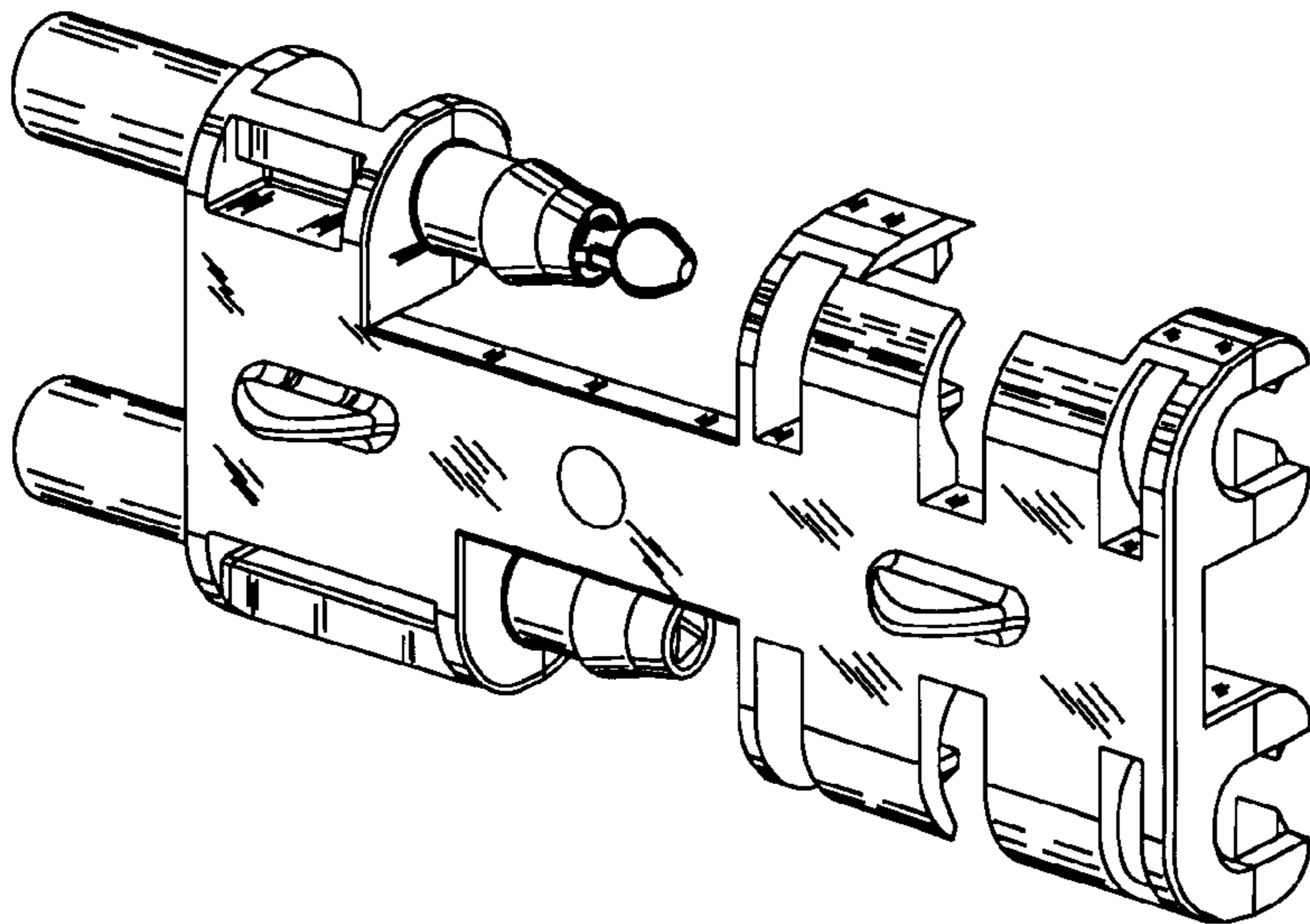


FIG. 1

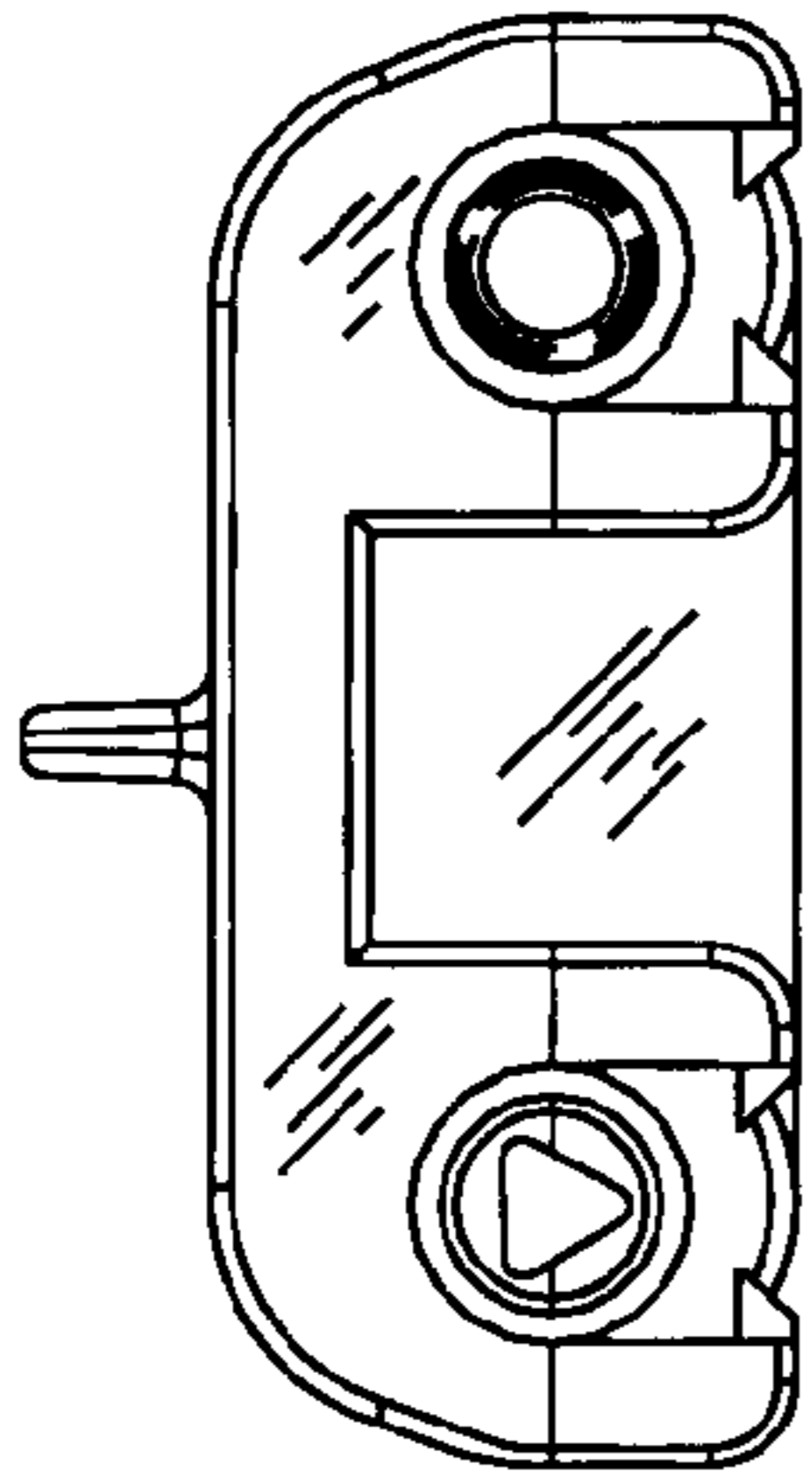


FIG. 6

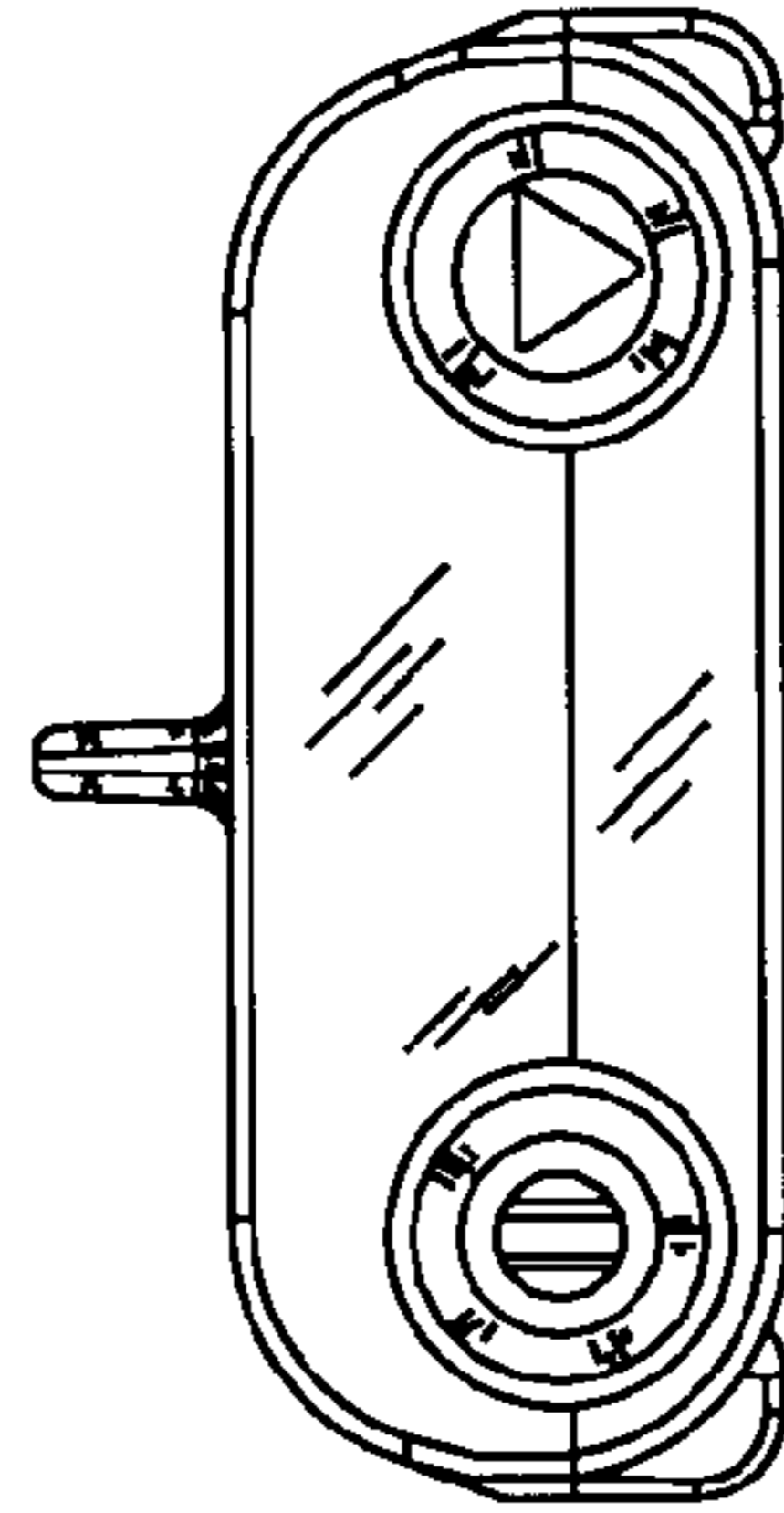


FIG. 7

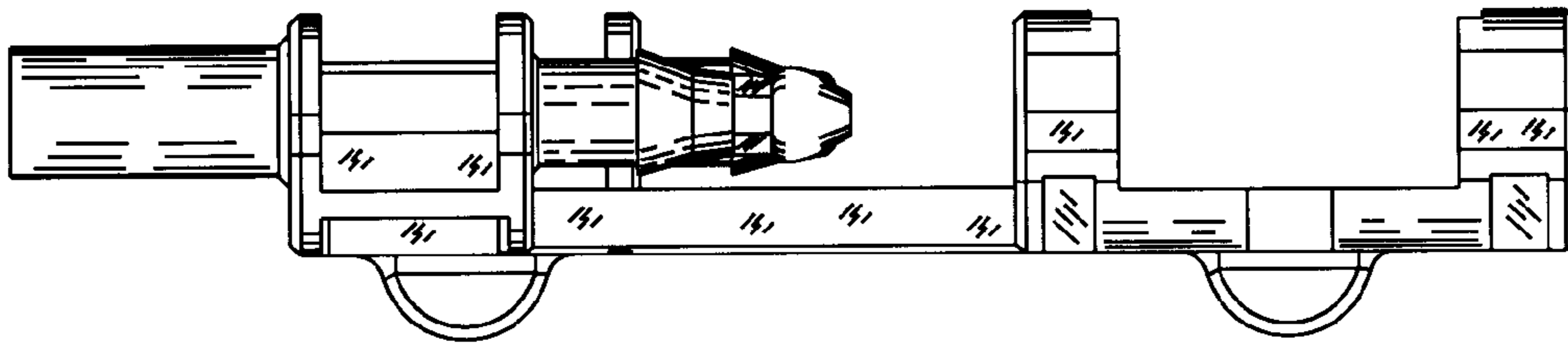


FIG. 5

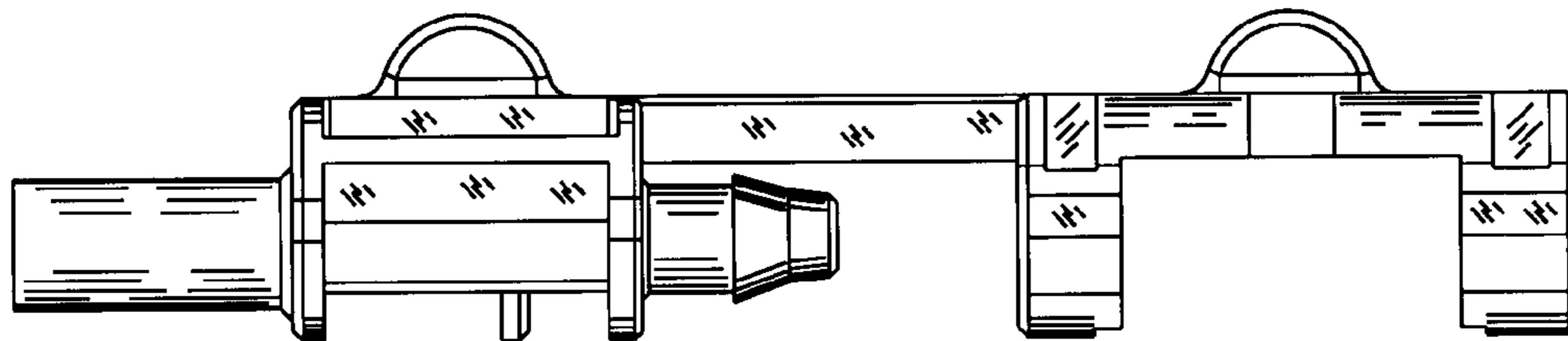


FIG. 4