



US00D505195S

(12) **United States Design Patent**
Snyder

(10) **Patent No.:** **US D505,195 S**

(45) **Date of Patent:** **** May 17, 2005**

(54) **ADJUSTABLE DUCT HEADER**

5,339,577 A 8/1994 Snyder
D408,512 S * 4/1999 Hurst D23/386
D442,273 S * 5/2001 Pestell D23/393

(75) **Inventor:** **Darryl L. Snyder, Canton, OH (US)**

(73) **Assignee:** **Snyder National Corporation**

(**) **Term:** **14 Years**

* cited by examiner

Primary Examiner—Robert A. Delehanty

(74) *Attorney, Agent, or Firm*—Zollinger & Burleson Ltd.

(21) **Appl. No.:** **29/182,610**

(57) **CLAIM**

(22) **Filed:** **May 28, 2003**

The ornamental design for the adjustable duct header, as shown and described.

(51) **LOC (7) Cl.** **23-04**

(52) **U.S. Cl.** **D23/393**

(58) **Field of Search** D23/314, 329,
D23/386–389, 392–393, 421, 499; 454/224,
227, 280, 284, 306–307, 309, 330–331,
370, 906; 126/110 A, 161, 285 R, 160,
277; 110/268, 163, 349

DESCRIPTION

FIG. 1 is a front perspective view of the adjustable duct header showing my new design.

FIG. 2 is a front elevation view of FIG. 1 .

FIG. 3 is a rear elevation view of FIGS. 1 and 2.

FIG. 4 is a left side elevation view of FIGS. 1 and 2.

FIG. 5 is a right side elevation view of FIGS. 1 and 2.

FIG. 6 is a top plan view of FIGS. 1 and 2; and,

FIG. 7 is a bottom plan view of FIGS. 1 and 2.

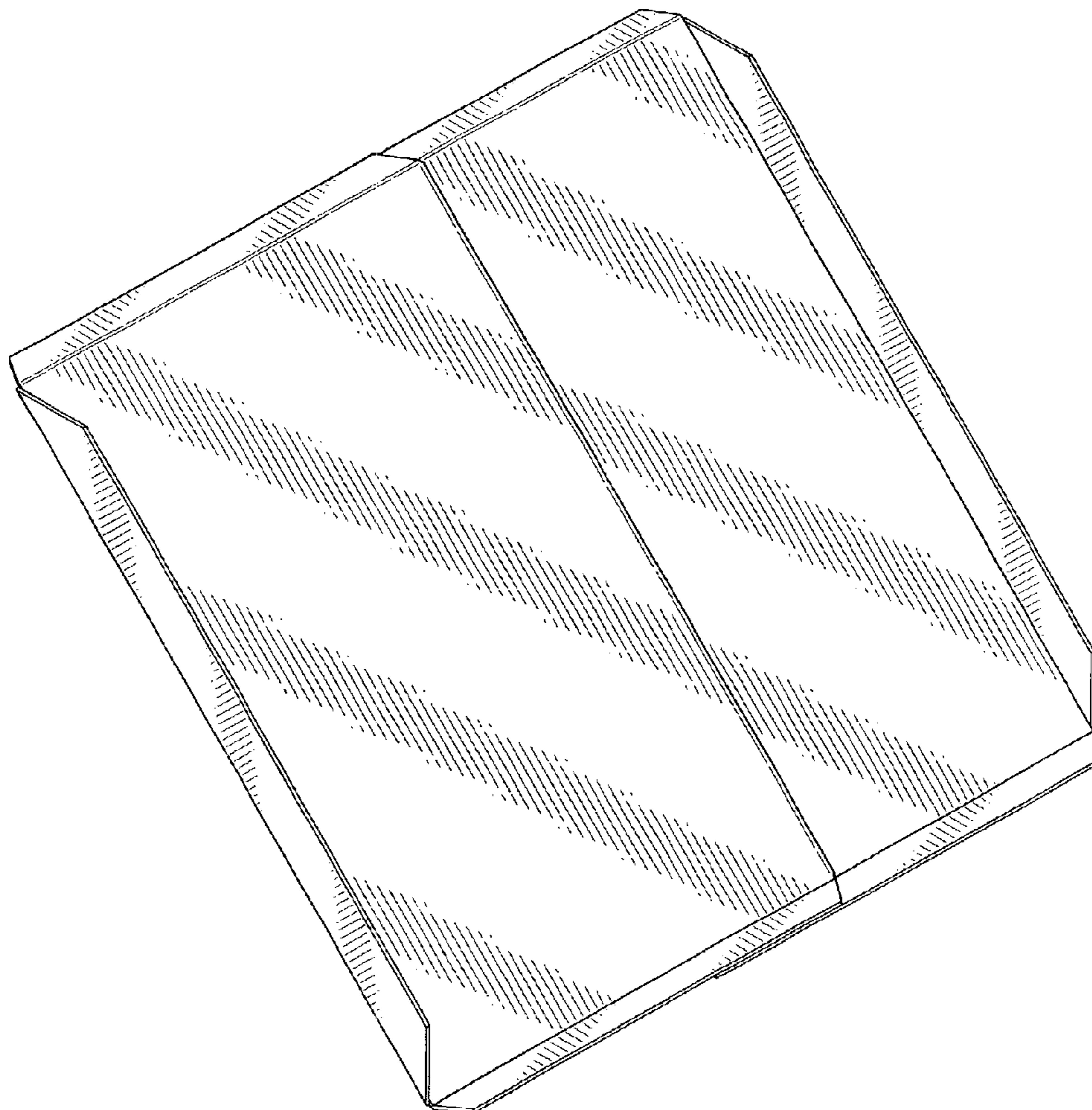
(56) **References Cited**

U.S. PATENT DOCUMENTS

4,633,766 A * 1/1987 Nation et al. 454/370

4,854,376 A * 8/1989 Tunekawa et al. 454/306

1 Claim, 6 Drawing Sheets



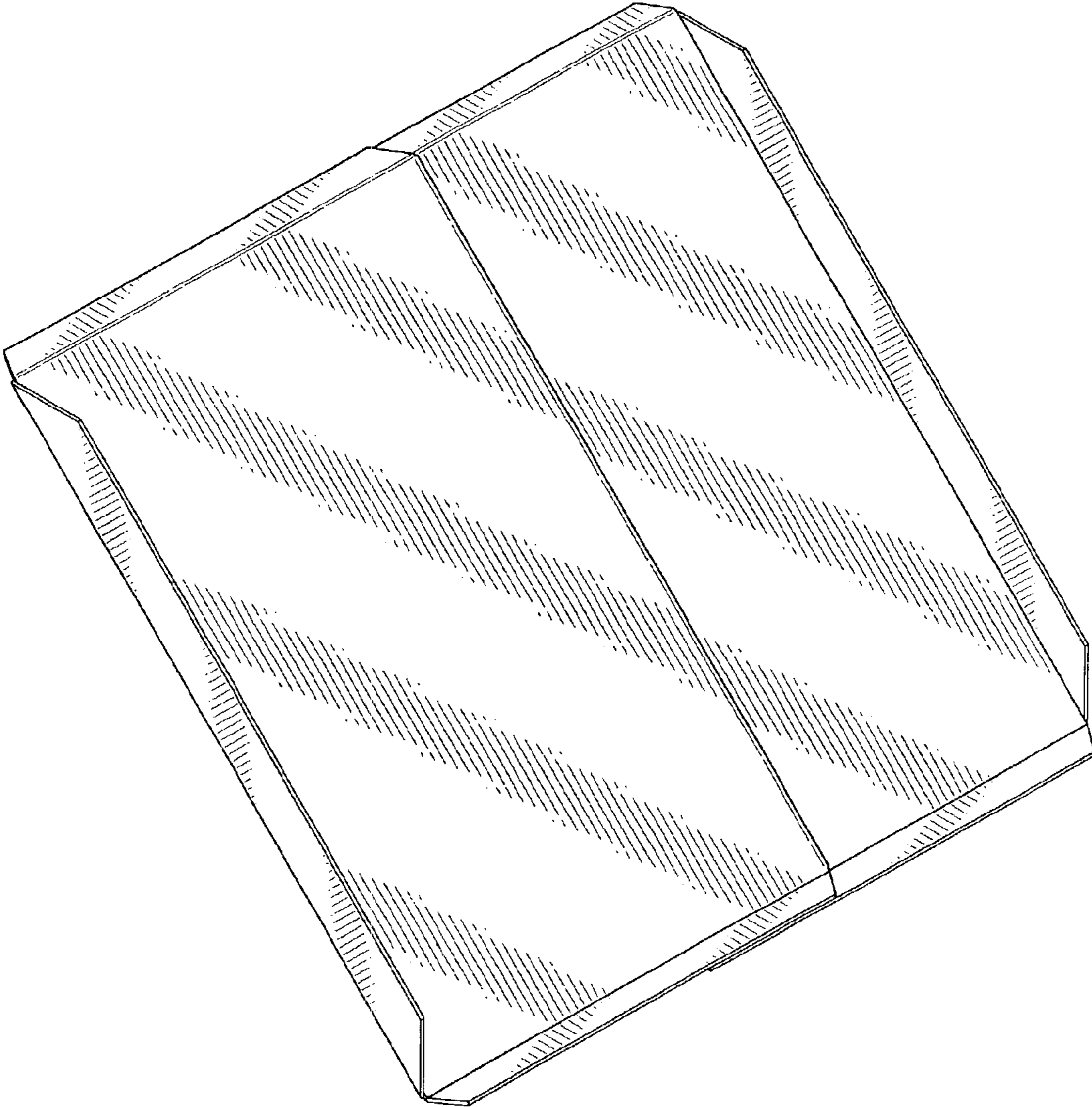


FIG-1

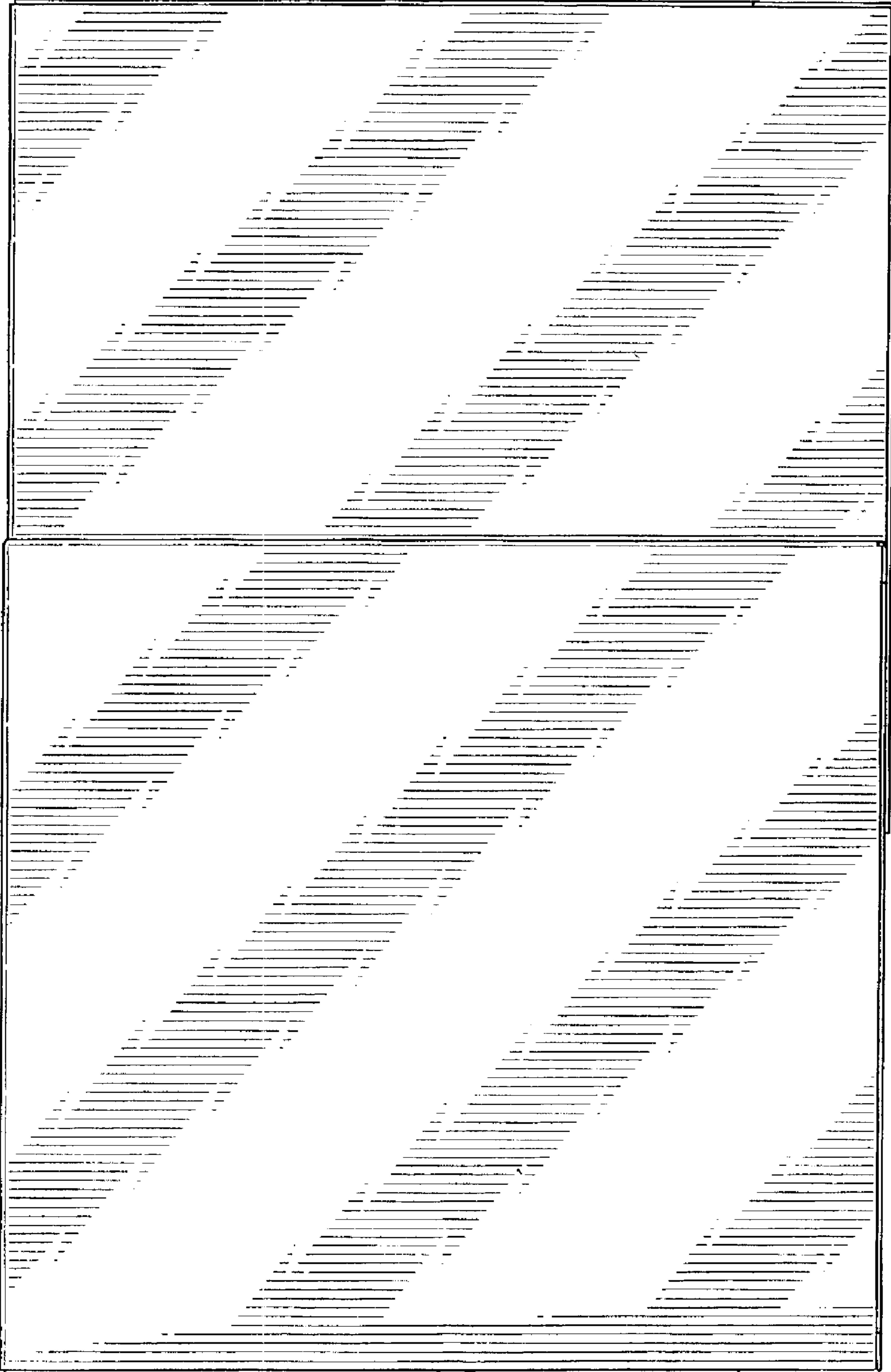


FIG-2

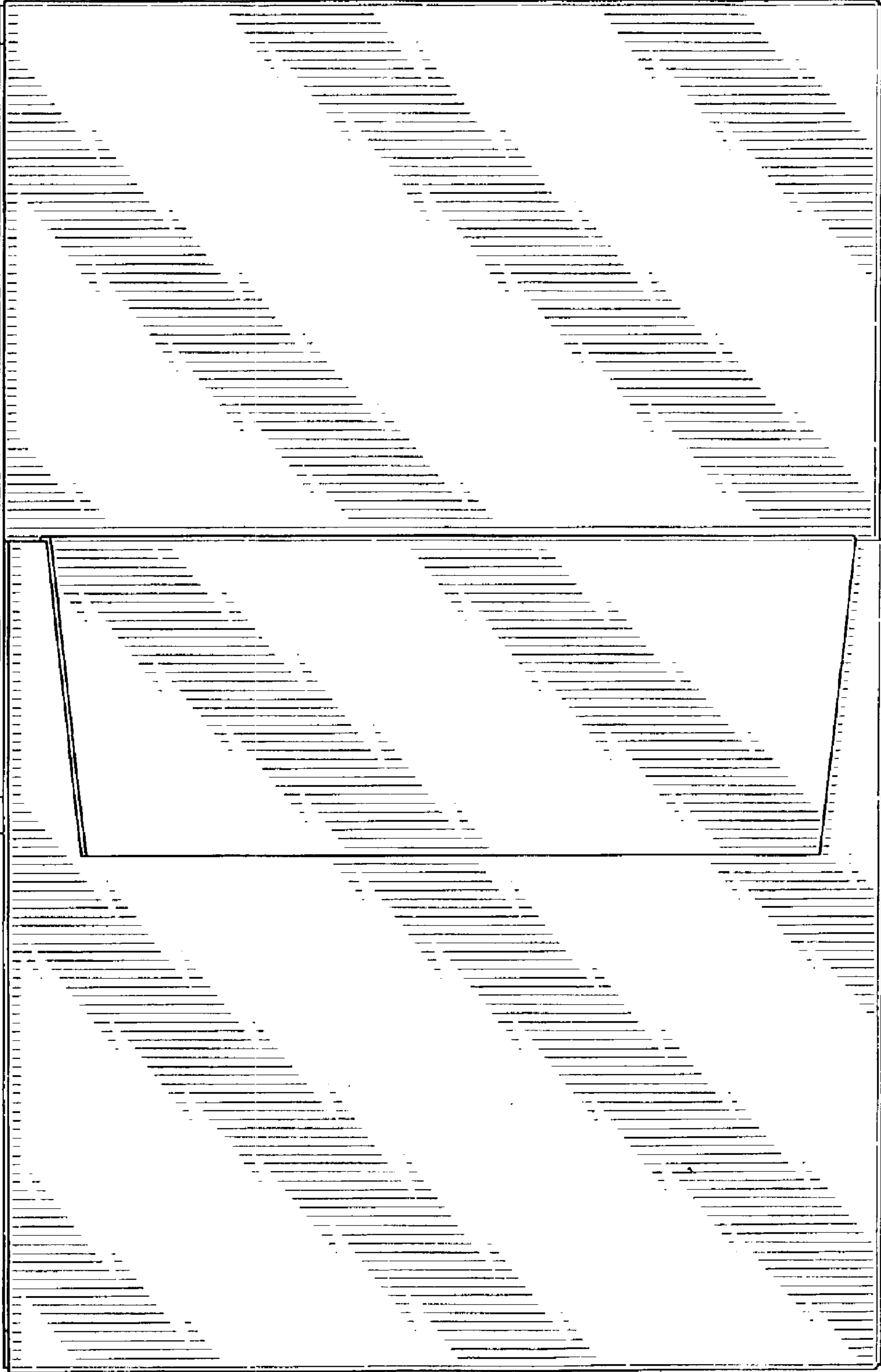


FIG-3

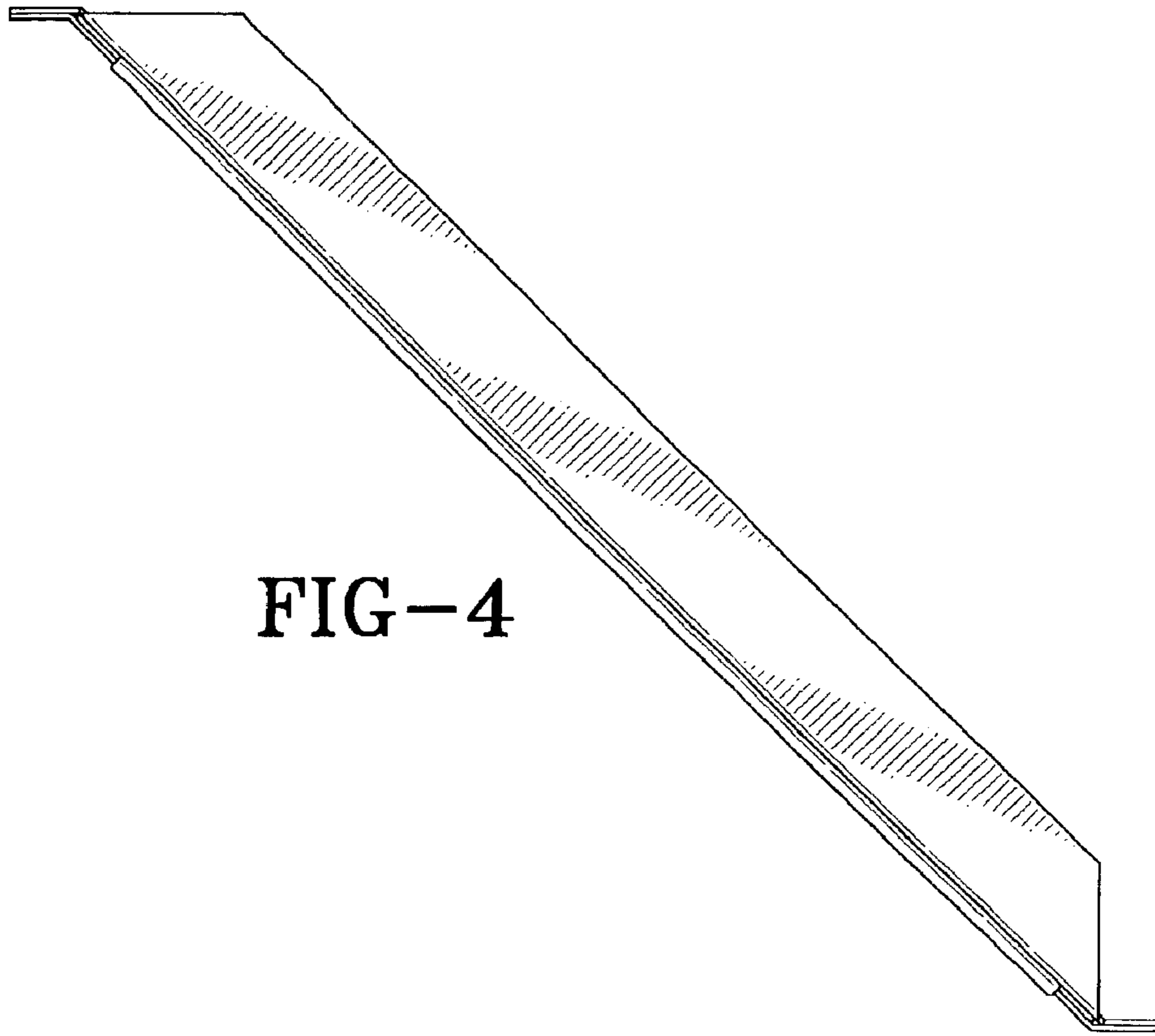


FIG-4

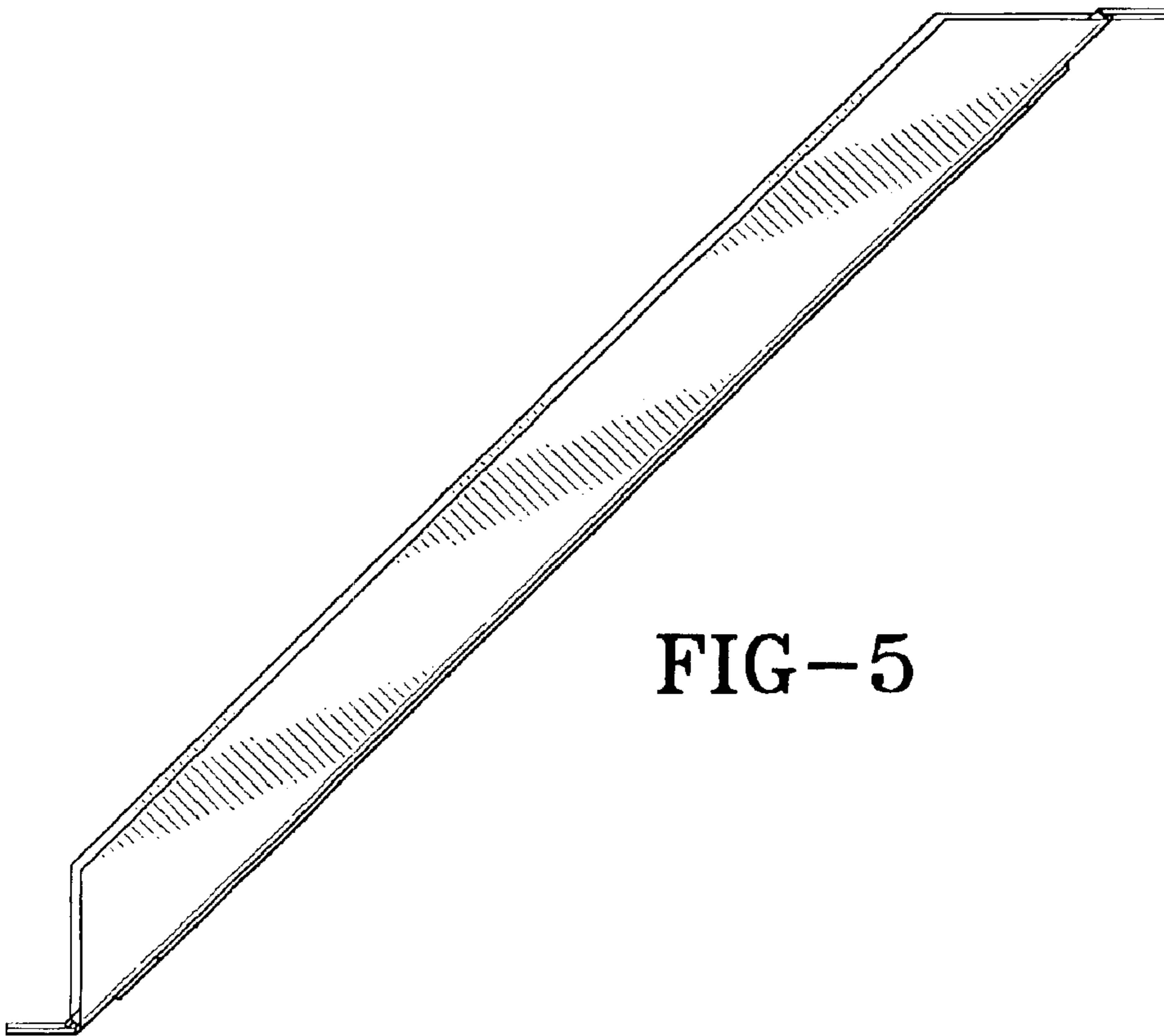


FIG-5

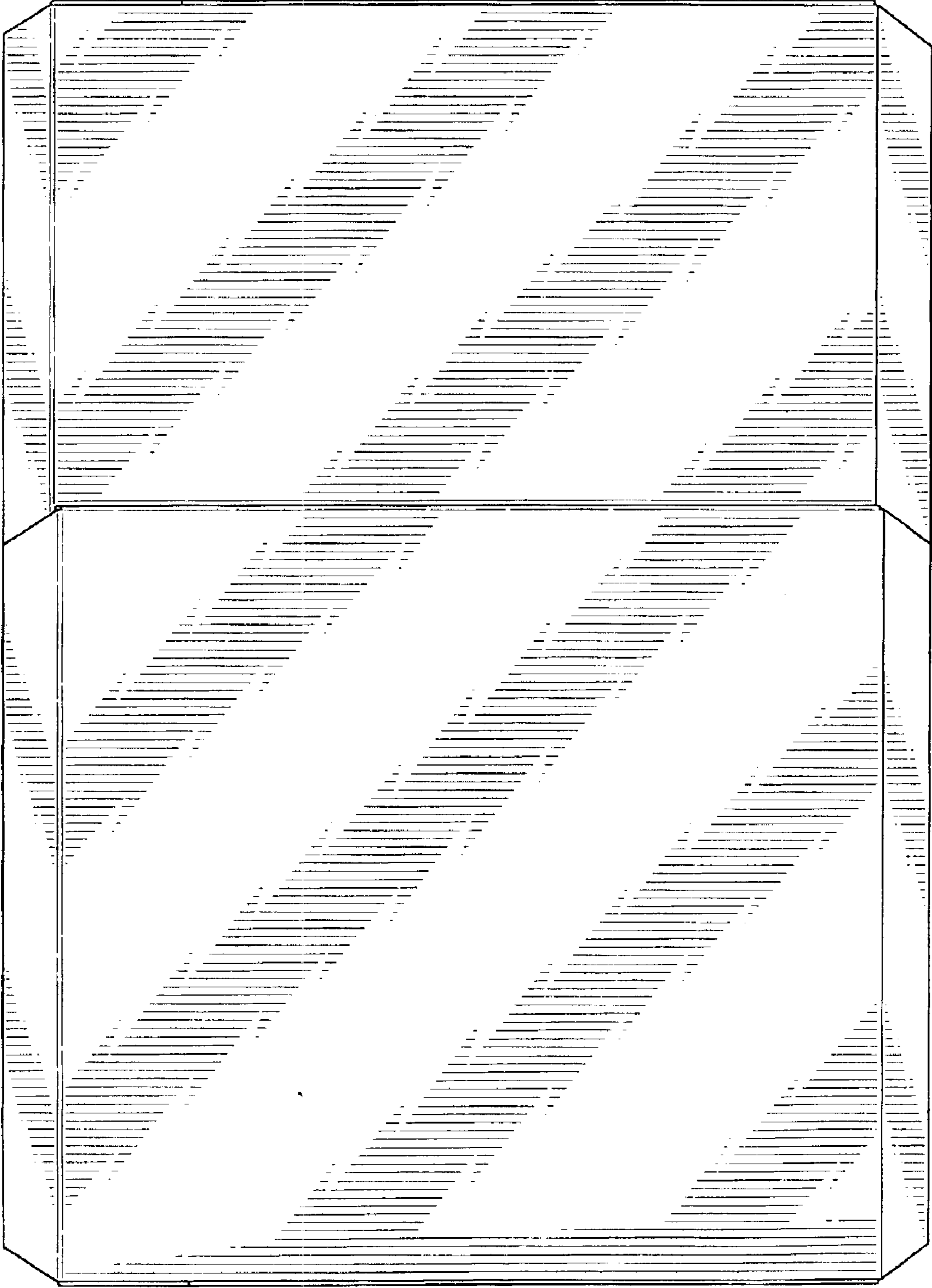


FIG-6

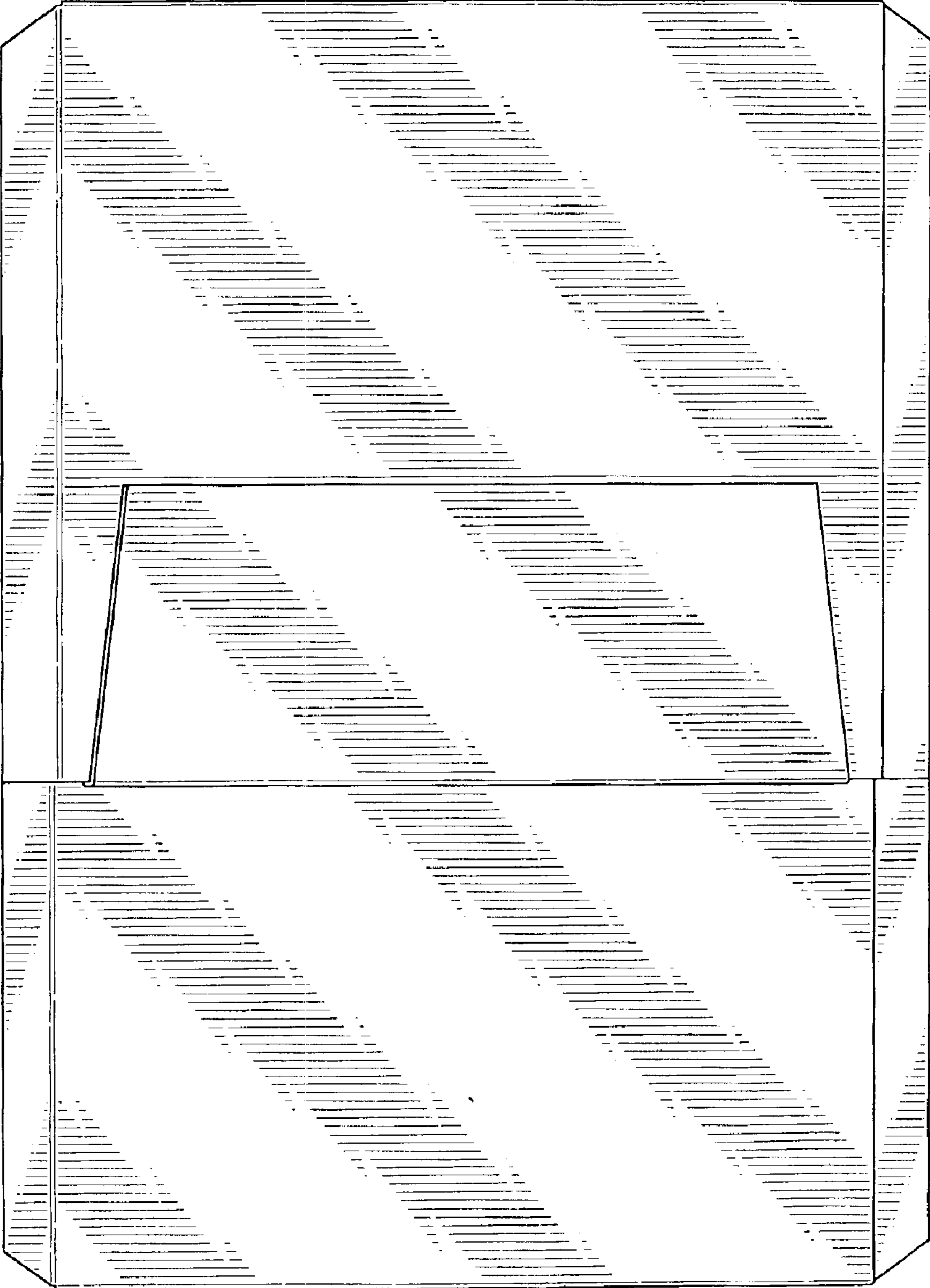


FIG-7