

US00D505192S

(12) **United States Design Patent**
Many et al.

(10) **Patent No.: US D505,192 S**
(45) **Date of Patent: ** May 17, 2005**

(54) **TOILET ODOR EXTRACTOR WITH FILTER SYSTEM**

(76) Inventors: **Raymond R. Many**, 1562 Highgate Rd., St. Albans, VT (US) 05478;
Jacqueline J. Many, 1562 Highgate Rd., St. Albans, VT (US) 05478

(**) Term: **14 Years**

(21) Appl. No.: **29/181,982**

(22) Filed: **May 19, 2003**

(51) **LOC (7) Cl.** **23-02**

(52) **U.S. Cl.** **D23/311**

(58) **Field of Search** D23/270-271,
D23/273-274, 295, 299, 301, 303, 309,
311; 4/663-664, 300, 329, 483, DIG. 15,
237-239, DIG. 6, 347, 444, 475, 477, 482,
209 R, 216-217

(56) **References Cited**

U.S. PATENT DOCUMENTS

3,120,665 A	2/1964	Kirkland
3,585,651 A	6/1971	Cox
3,733,619 A	5/1973	Smith
4,251,888 A	2/1981	Turner
4,365,361 A	12/1982	Sanstrom

4,726,078 A	*	2/1988	Carballo et al.	4/217
5,010,600 A		4/1991	Prisco		
D328,340 S	*	7/1992	Bolduc	D23/311
D355,481 S	*	2/1995	Keen	D23/311
D355,959 S	*	2/1995	Kaiser	D23/311
D408,508 S	*	4/1999	Lopez	D23/311
D461,547 S	*	8/2002	Christian, Sr.	D23/311

* cited by examiner

Primary Examiner—Robert A. Delehanty

(74) *Attorney, Agent, or Firm*—Donald R. Schoonover

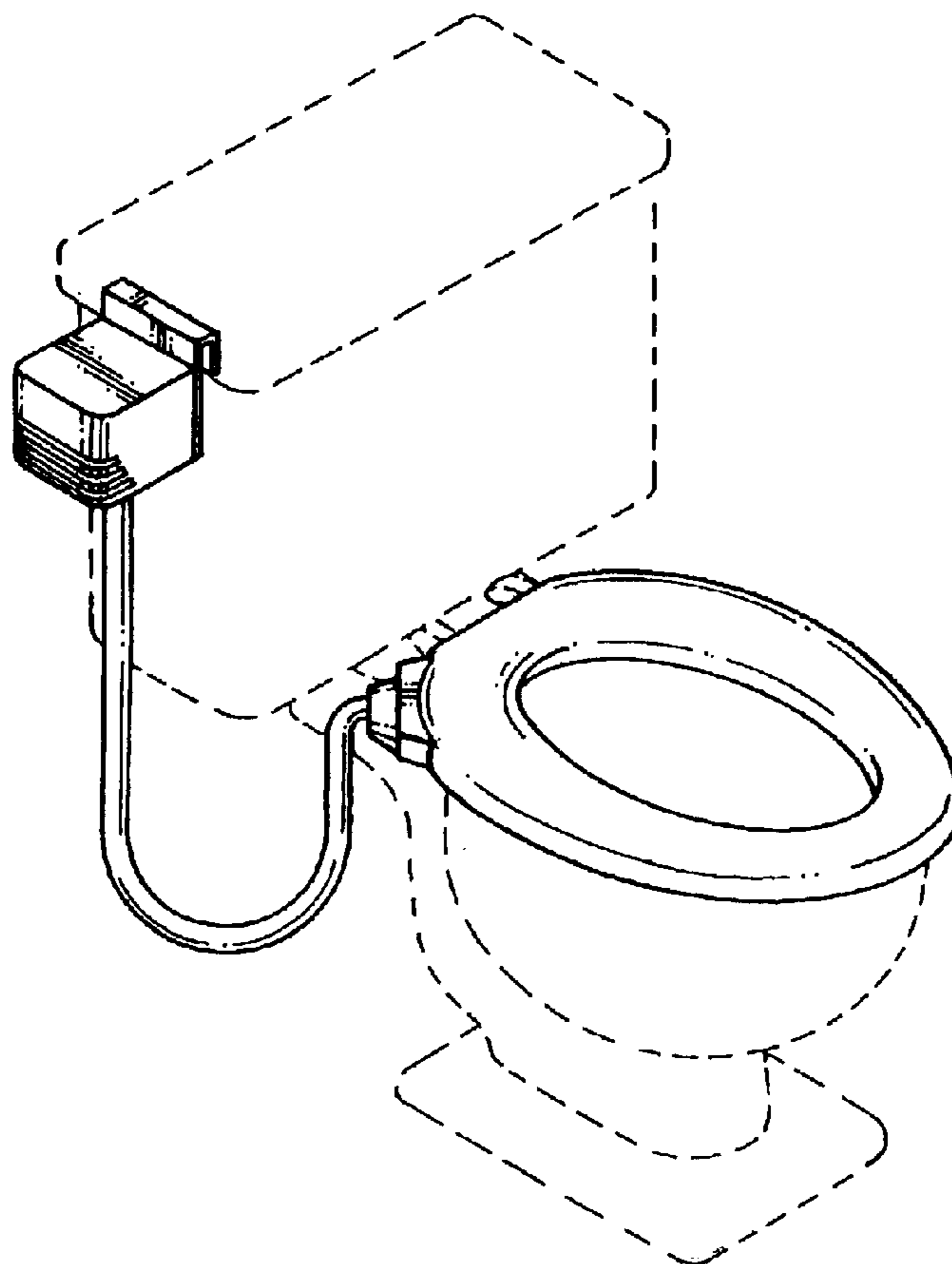
(57) **CLAIM**

We claim the ornamental design for a toilet odor extractor with filter system, as shown and described.

DESCRIPTION

FIG. 1 is a perspective view of a toilet odor extractor with filter system showing our new design; the broken lines depict environmental structure for illustrative purposes only and form no part of the claimed design; FIG. 2 is a front elevational view thereof; FIG. 3 is a rear elevational view thereof; FIG. 4 is a left side elevational view thereof; FIG. 5 is a right side elevational view thereof; FIG. 6 is a top plan view thereof; and, FIG. 7 is a bottom plan view thereof.

1 Claim, 4 Drawing Sheets



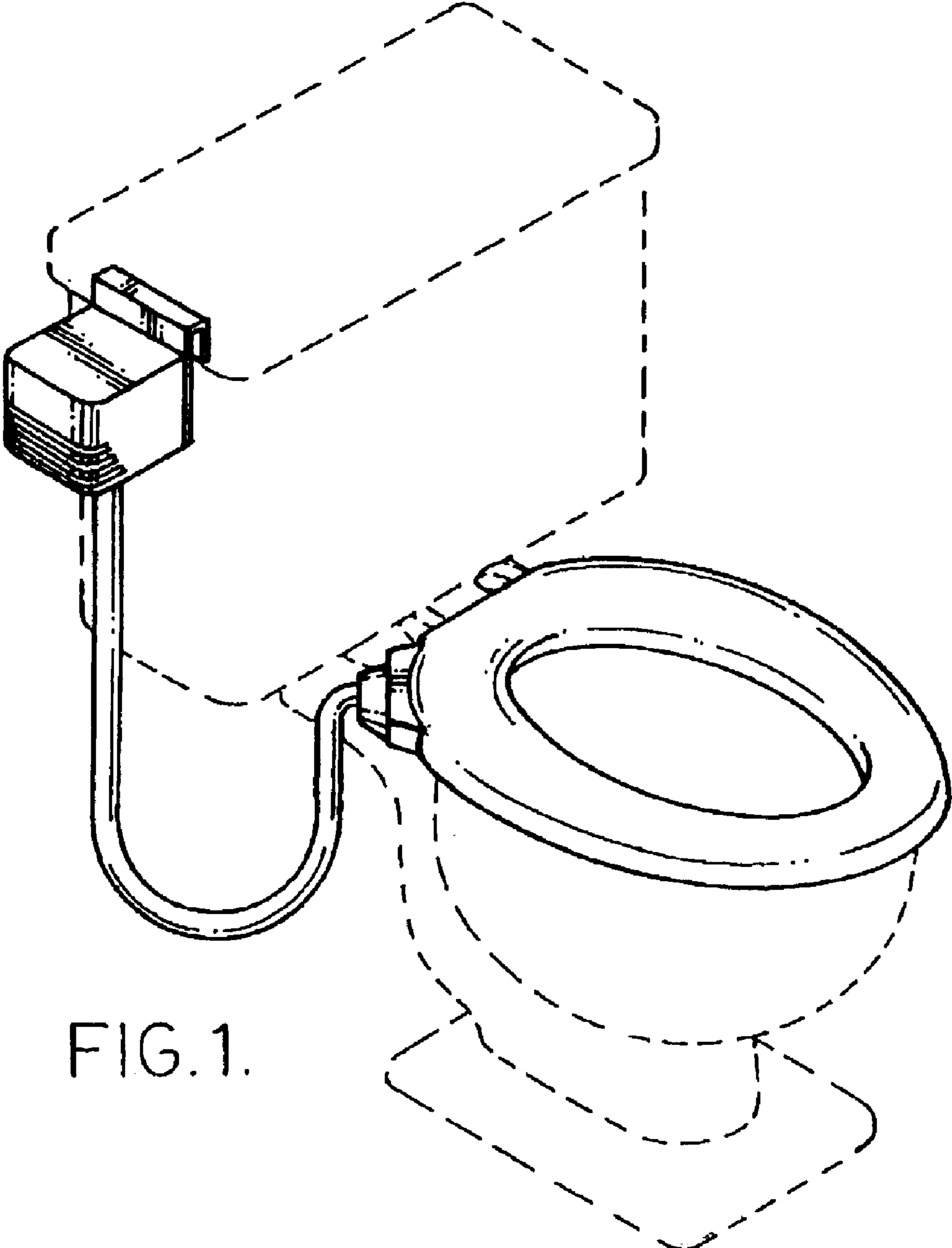


FIG. 1.

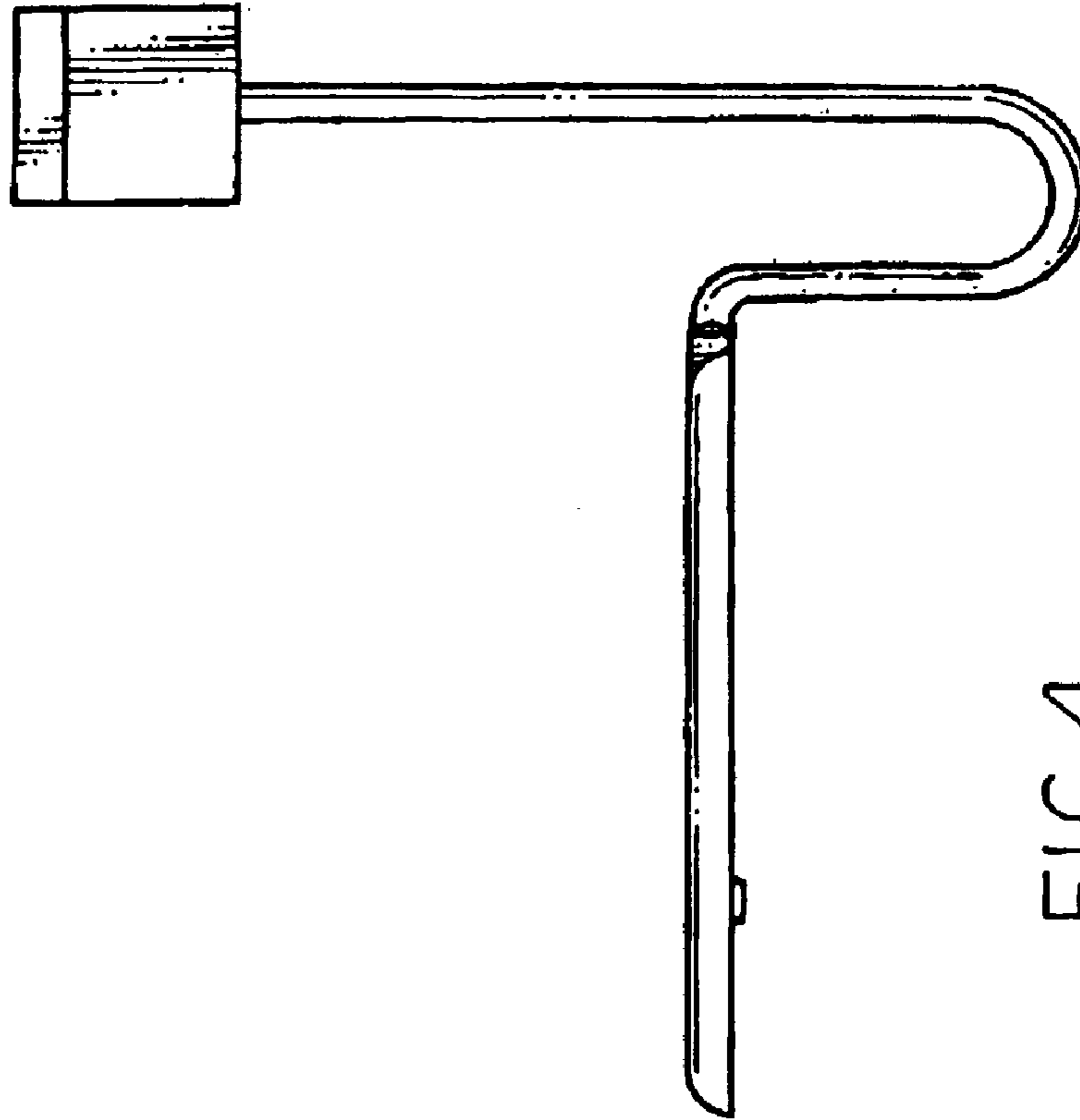


FIG. 4.

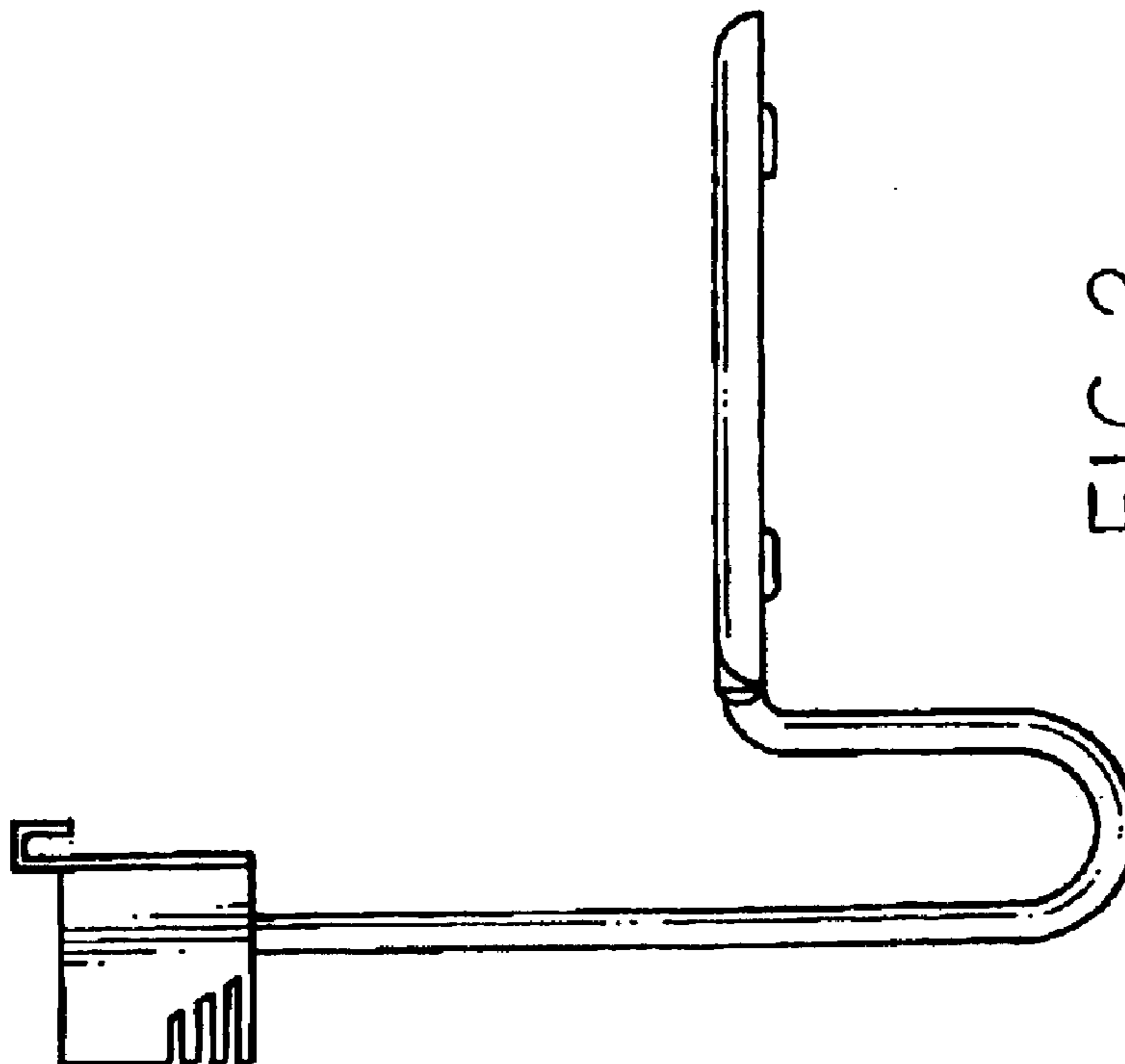


FIG. 2.

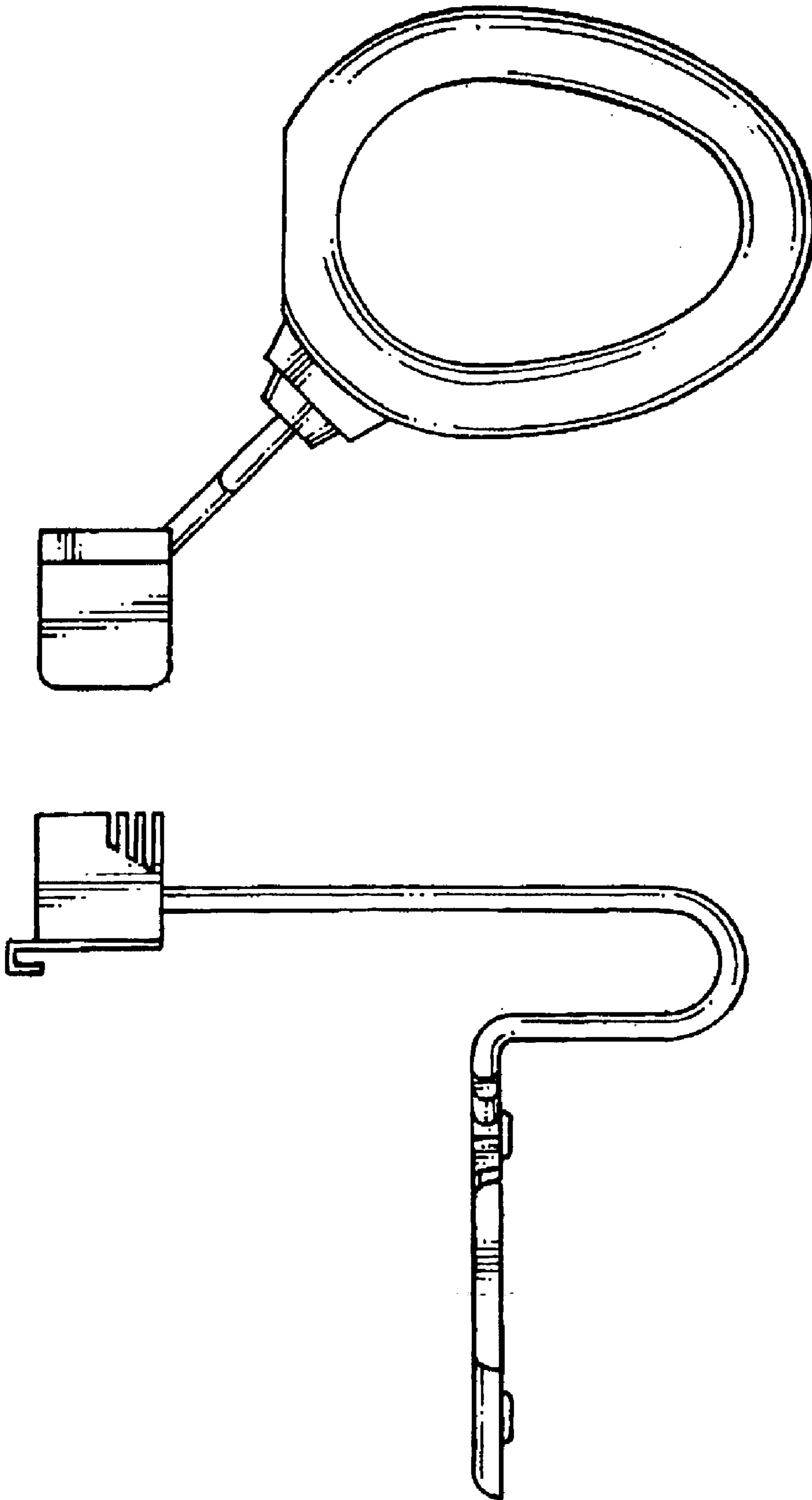


FIG. 6.

FIG. 3.

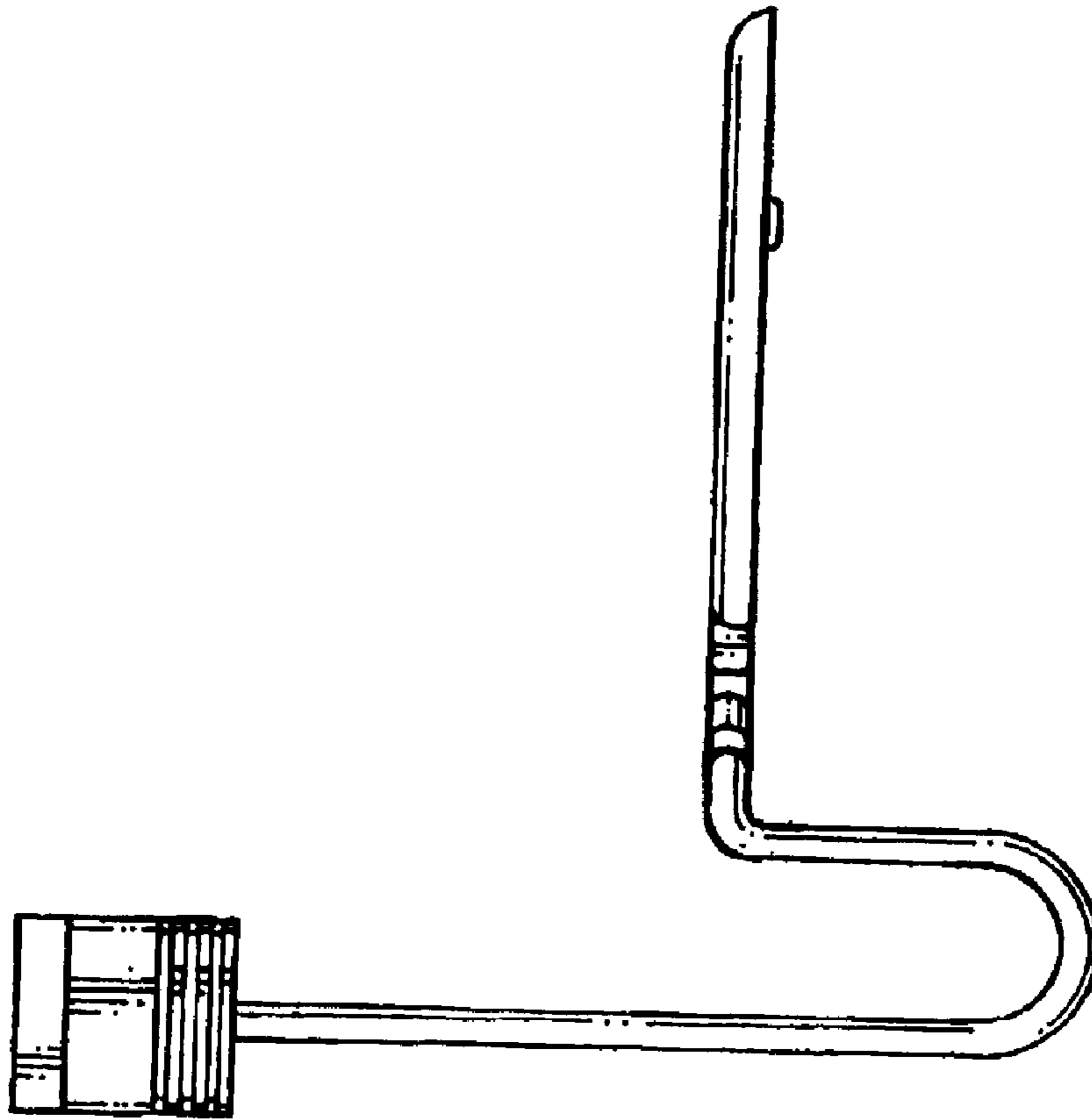


FIG. 5.

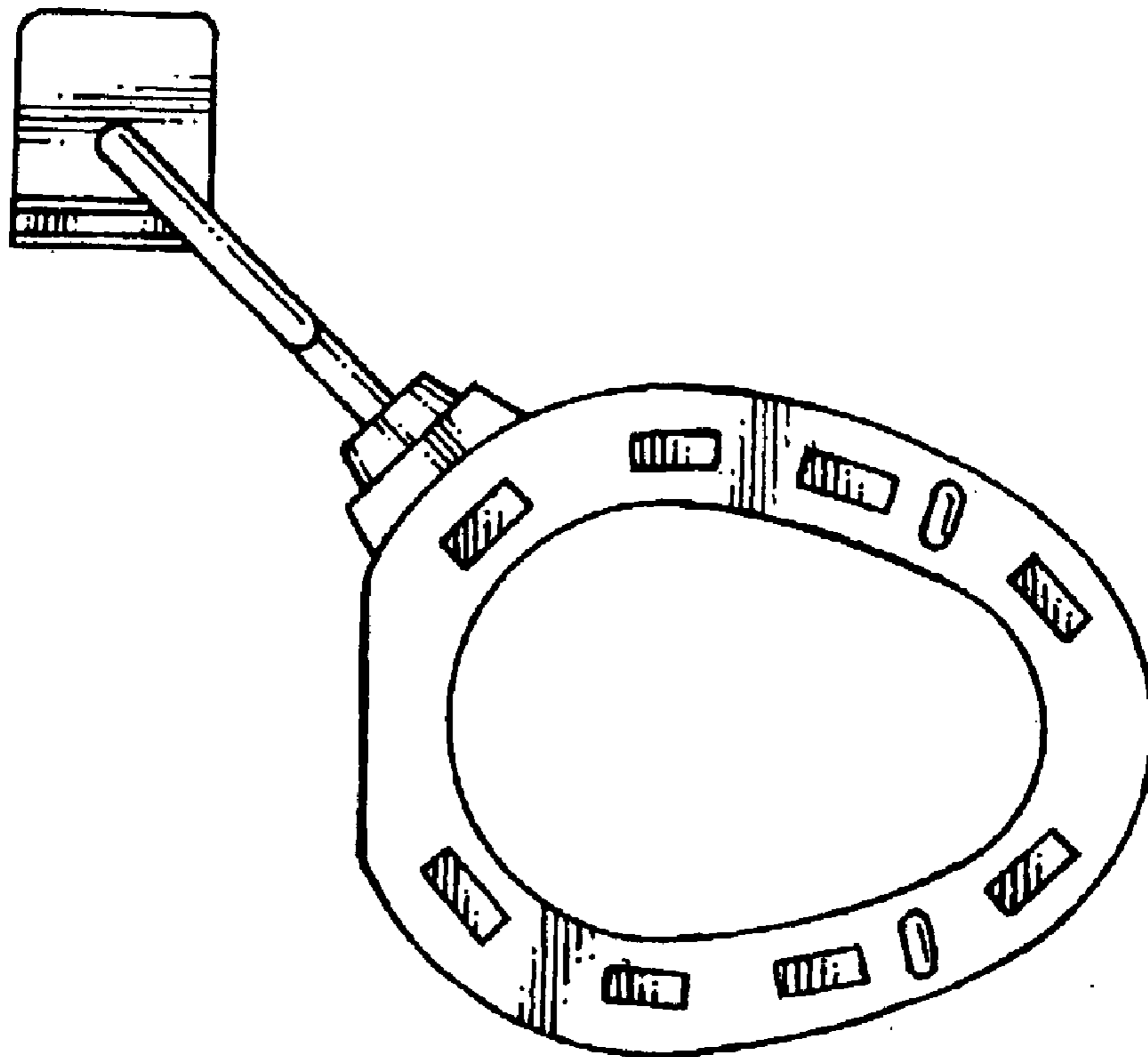


FIG. 7.