

US00D505190S

(12) **United States Design Patent**
Cutler

(10) **Patent No.:** **US D505,190 S**

(45) **Date of Patent:** **** May 17, 2005**

(54) **TOILET DESIGN**

D478,376 S * 8/2003 Kawamura et al. D23/301

(75) **Inventor:** **William Cutler**, Cedar Knolls, NJ (US)

* cited by examiner

(73) **Assignee:** **Niagara Conservation Inc.**, Cedar Knolls, NJ (US)

Primary Examiner—Robert A. Delehanty
(74) *Attorney, Agent, or Firm*—Ezra Sutton

(**) **Term:** **14 Years**

(57) **CLAIM**

(21) **Appl. No.:** **29/201,593**

The ornamental design for a toilet design, as shown and described.

(22) **Filed:** **Mar. 17, 2004**

DESCRIPTION

(51) **LOC (7) Cl.** **23-02**

FIG. 1 is a front perspective view of a toilet design embodying my new design;

(52) **U.S. Cl.** **D23/295**

FIG. 2 is a front elevational view thereof;

(58) **Field of Search** D23/270–271,

FIG. 3 is a rear elevational view thereof;

D23/273–274, 295, 299, 301, 303, 309;
4/663–664, 300, 329, 420, 449, DIG. 15,
443–446

FIG. 4 is a left side elevational view thereof, and the right side elevational view being a mirror image thereof;

FIG. 5 is a top plan view thereof;

(56) **References Cited**

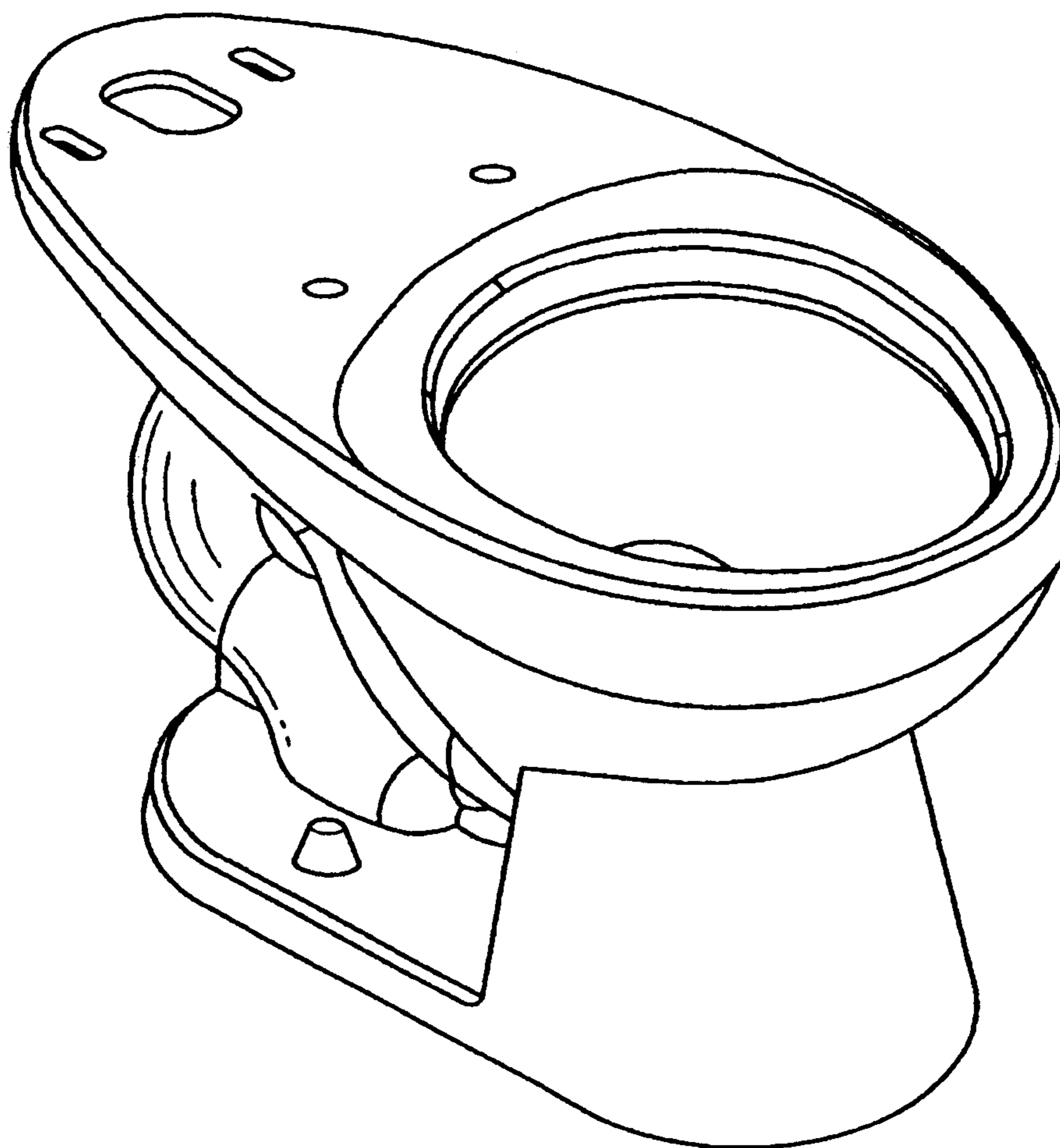
U.S. PATENT DOCUMENTS

- D372,961 S * 8/1996 Bonnell et al. D23/295
- D420,728 S * 2/2000 Tani D23/301
- D454,943 S * 3/2002 Chen D23/301

FIG. 6 is a bottom plan view thereof; and,

FIG. 7 is a left side elevational view of a toilet design embodying an alternate design, and the right side elevational view being a mirror image thereof.

1 Claim, 6 Drawing Sheets



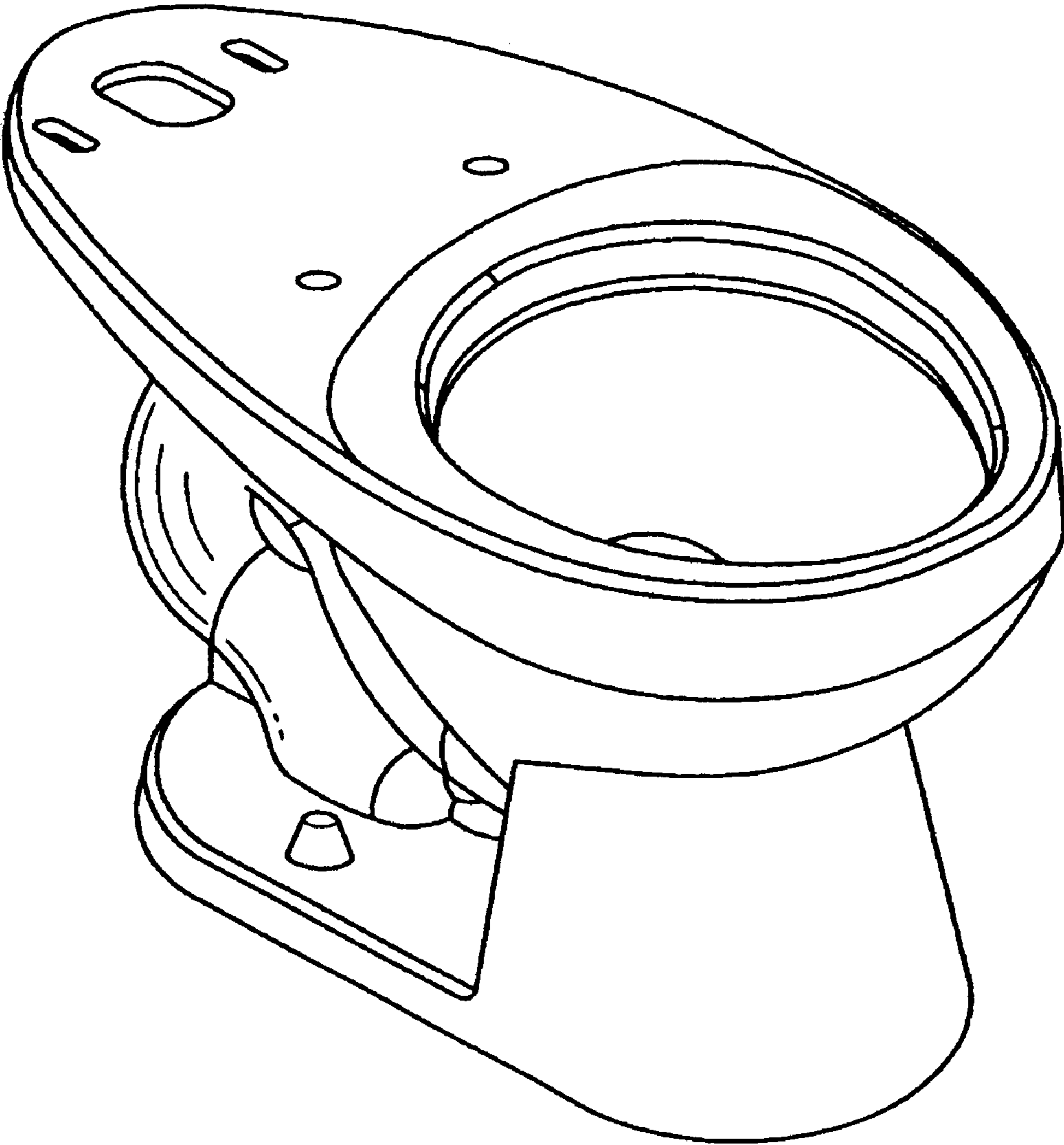


FIG. 1

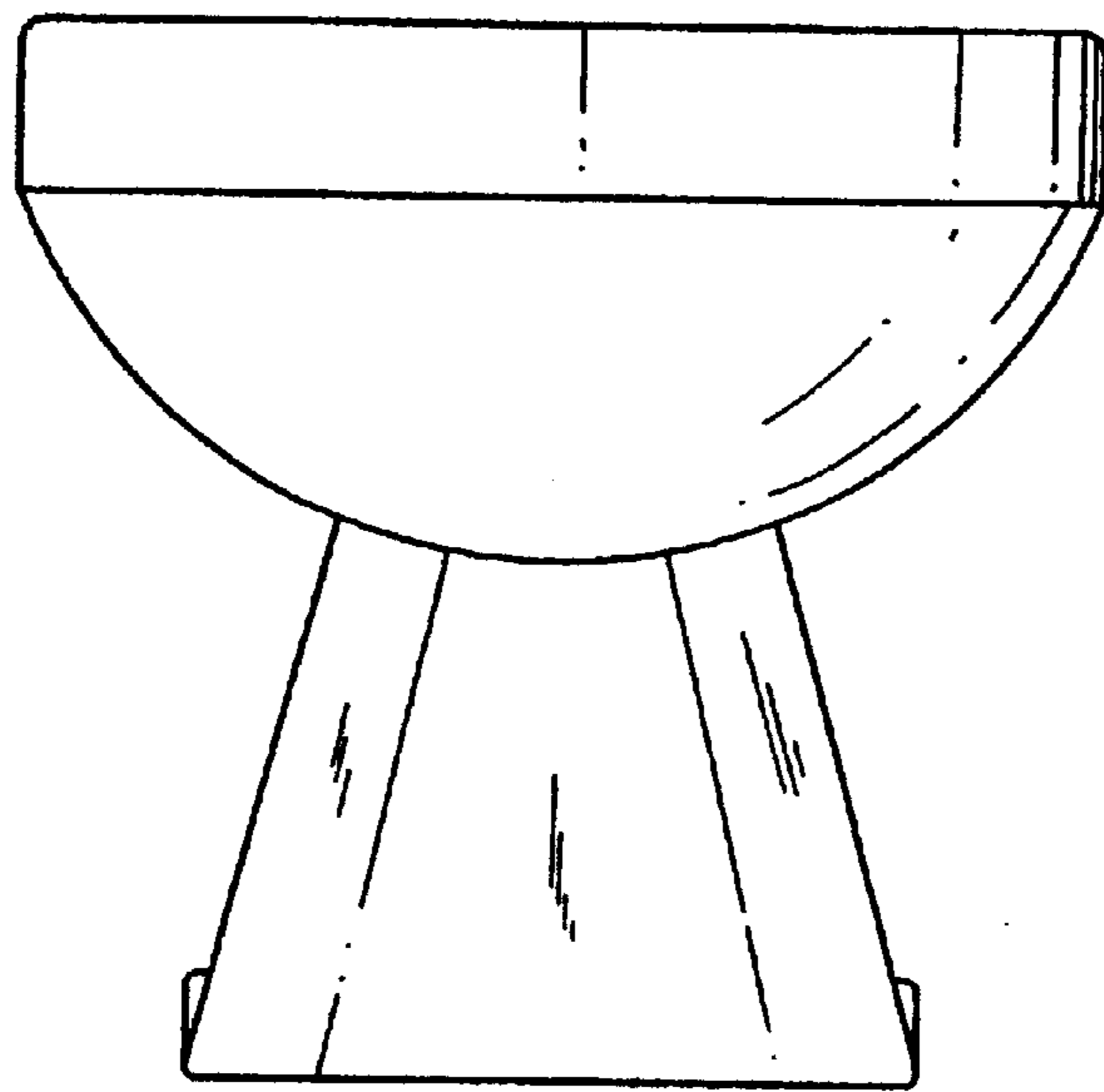


FIG. 2

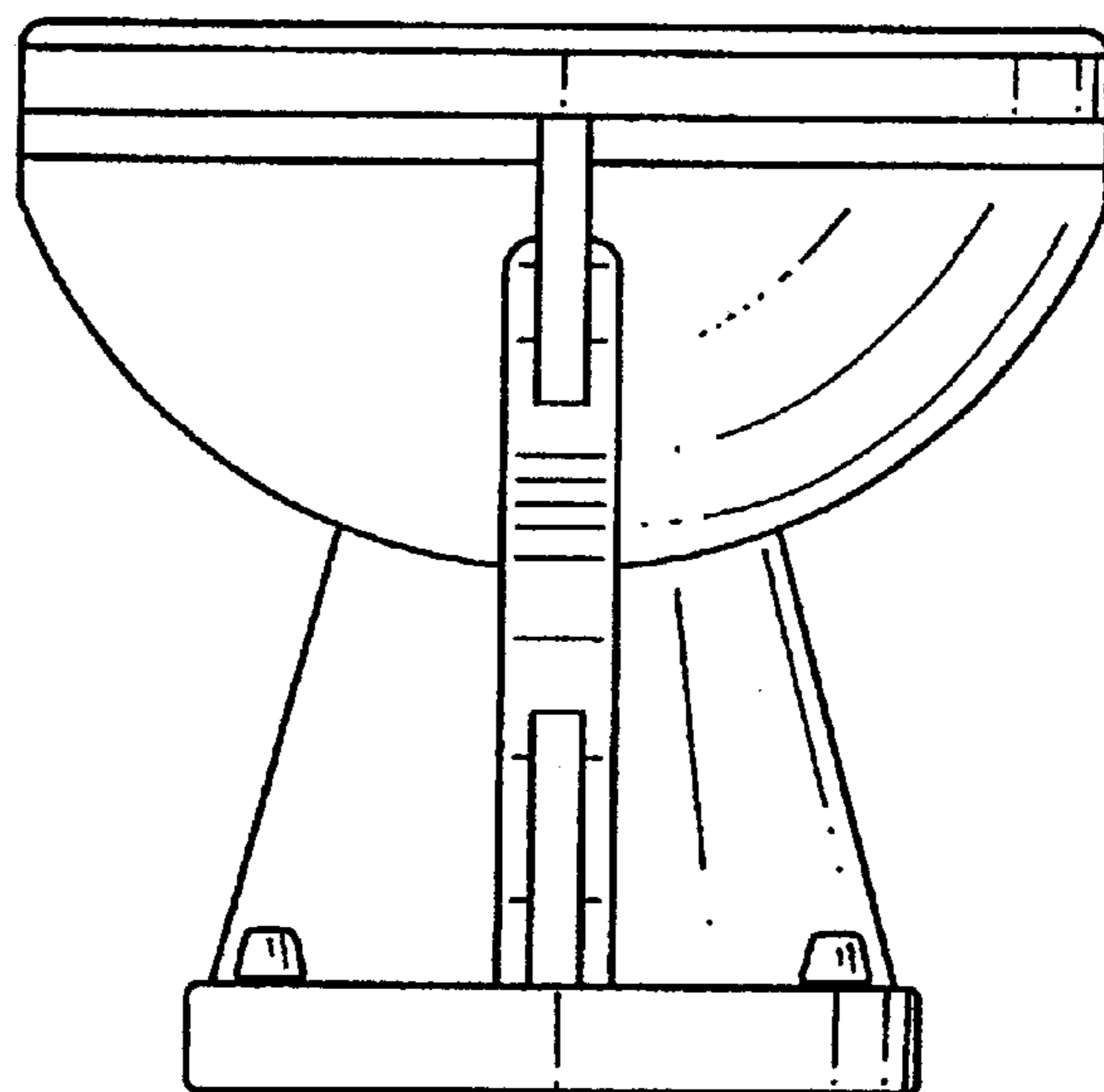


FIG. 3

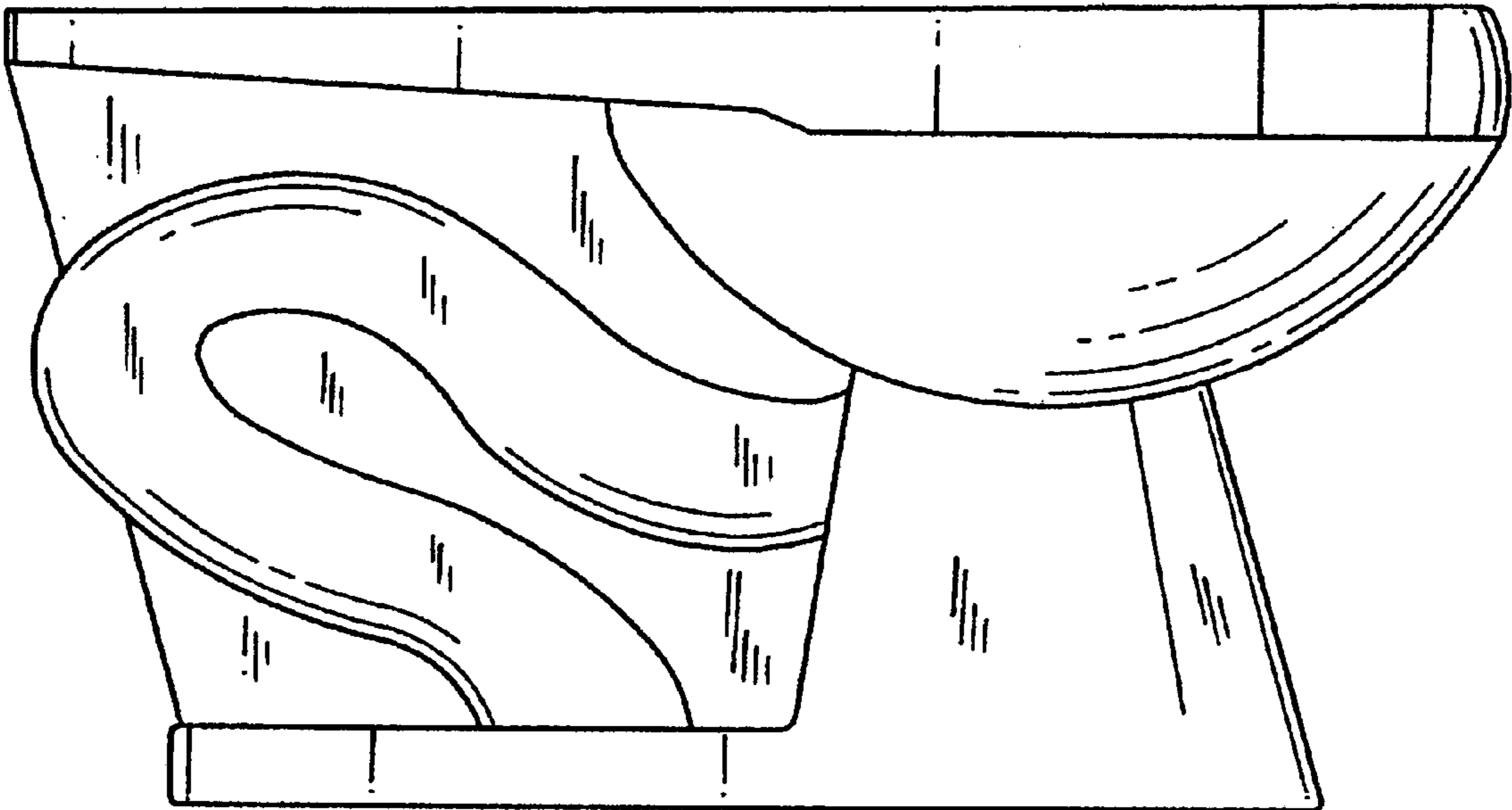


FIG. 4

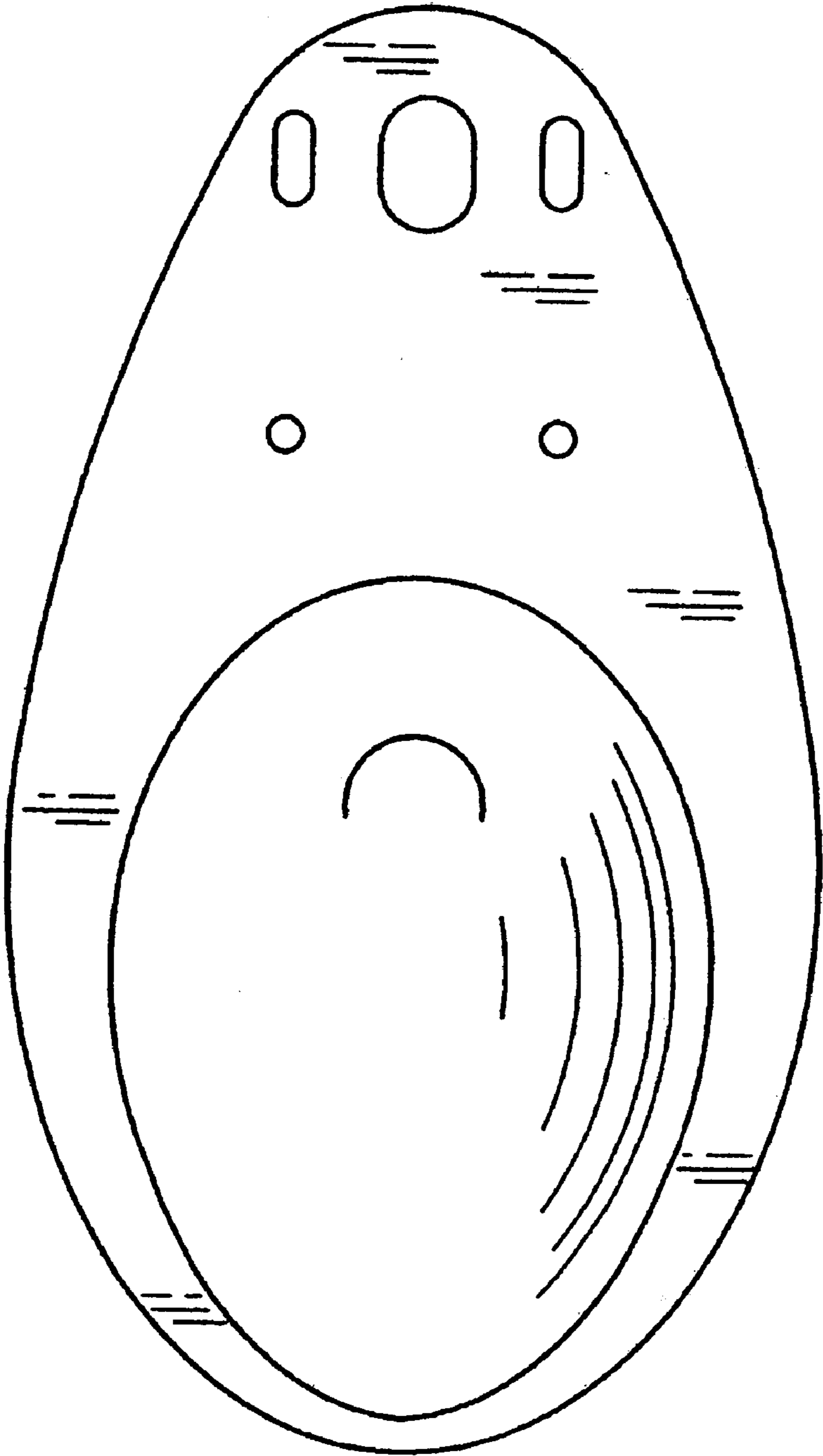


FIG. 5

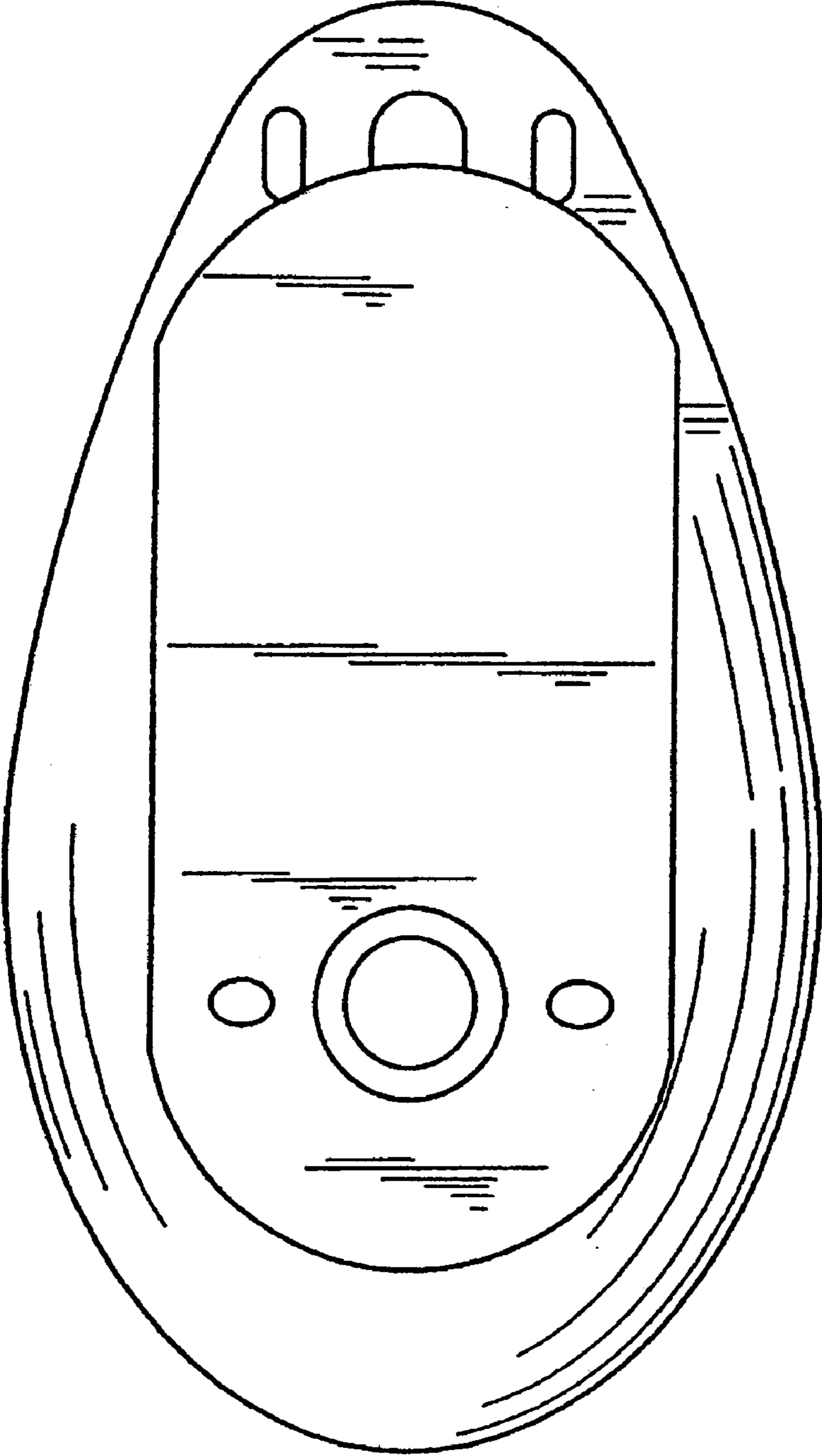


FIG. 6

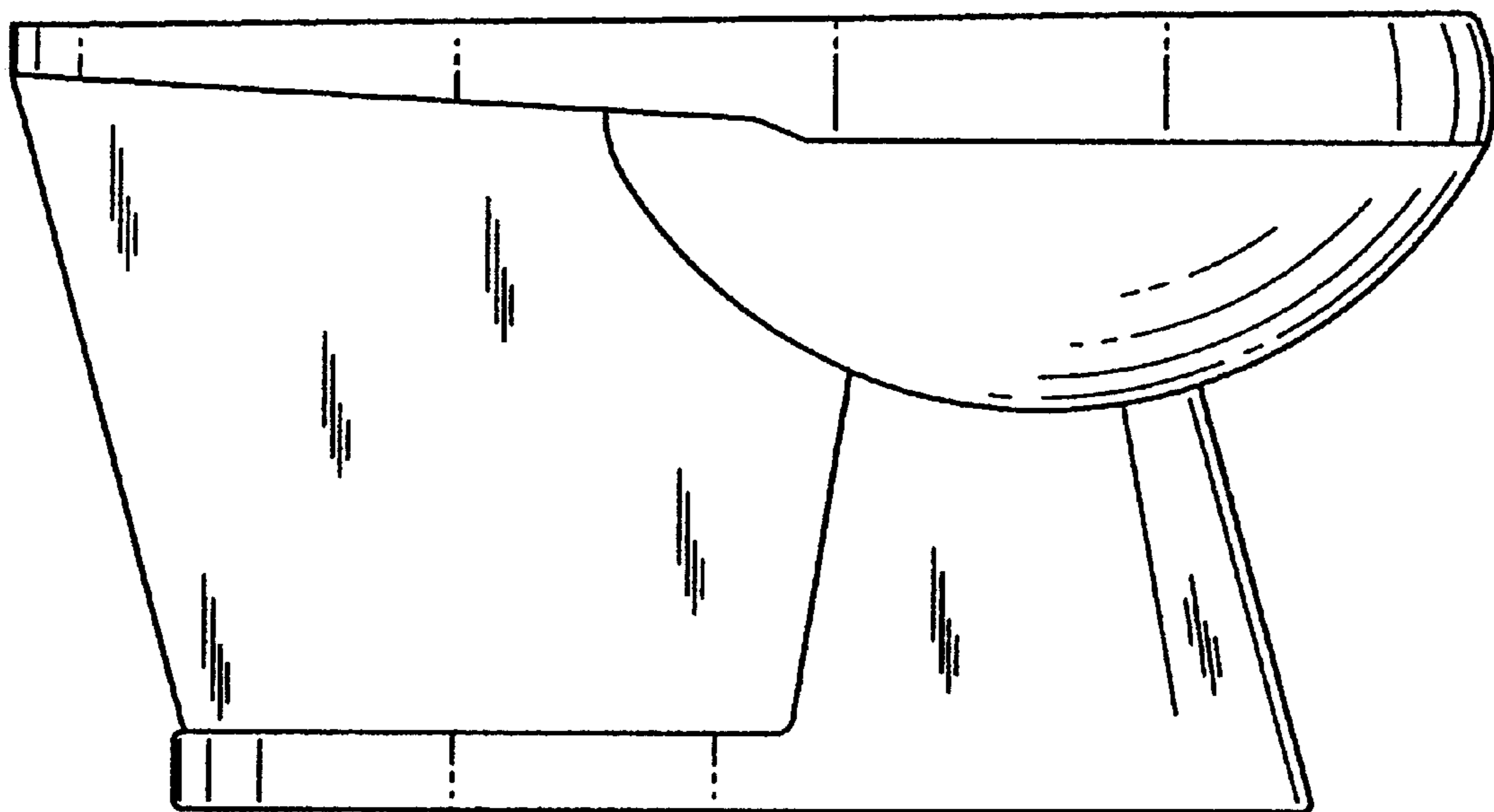


FIG. 7