

US00D505188S

(12) **United States Design Patent** (10) **Patent No.:** **US D505,188 S**
Bayer (45) **Date of Patent:** **** May 17, 2005**

(54) **SINK**

(75) Inventor: **Michelle E. Bayer**, Benton Harbor, MI (US)

(73) Assignee: **Kohler Co.**, Kohler, WI (US)

(**) Term: **14 Years**

(21) Appl. No.: **29/209,457**

(22) Filed: **Jul. 16, 2004**

Related U.S. Application Data

(62) Division of application No. 29/179,472, filed on Apr. 10, 2003, now Pat. No. Des. 492,291.

(51) **LOC (7) Cl.** **23-02**

(52) **U.S. Cl.** **D23/293.1**

(58) **Field of Search** D23/270-271,
D23/273, 284-285, 290-292, 293.1, 303,
308; 4/664-665, 619, 522, 623-624, 639-642,
650-651, 660-661

(56) **References Cited**

U.S. PATENT DOCUMENTS

1,222,123 A	4/1917	Nysewander	4/642
D126,226 S	4/1941	Steiner	D23/290
2,914,777 A	12/1959	Parson	4/628
D200,845 S	4/1965	Aarnio	D23/293.1
D210,828 S	4/1968	Mustee	D23/290
4,338,688 A	7/1982	Petty	4/661
6,006,388 A	12/1999	Young	8/158
D456,497 S	4/2002	Prou	D23/290

OTHER PUBLICATIONS

1999 Kallista catalog ad, p. 38, showing various kitchen sinks.

Undated Sterling catalog ad showing various kitchen sinks.
1988 Kohler catalog ad, p. 6-10, showing a "Watersilk" whirlpool.

2000 Kohler catalog ad, p. 16.43, showing an "Addison" sink.

Primary Examiner—Robert A. Delehanty

(74) *Attorney, Agent, or Firm*—Quarles & Brady LLP

(57) **CLAIM**

The ornamental design for a sink, as shown and described.

DESCRIPTION

In a preferred embodiment, the nature of this product is as a plumbing fixture primarily useful for washing various objects.

FIG. 1 is a right, top, front perspective view of a sink according to my new design;

FIG. 2 is a top plan view thereof;

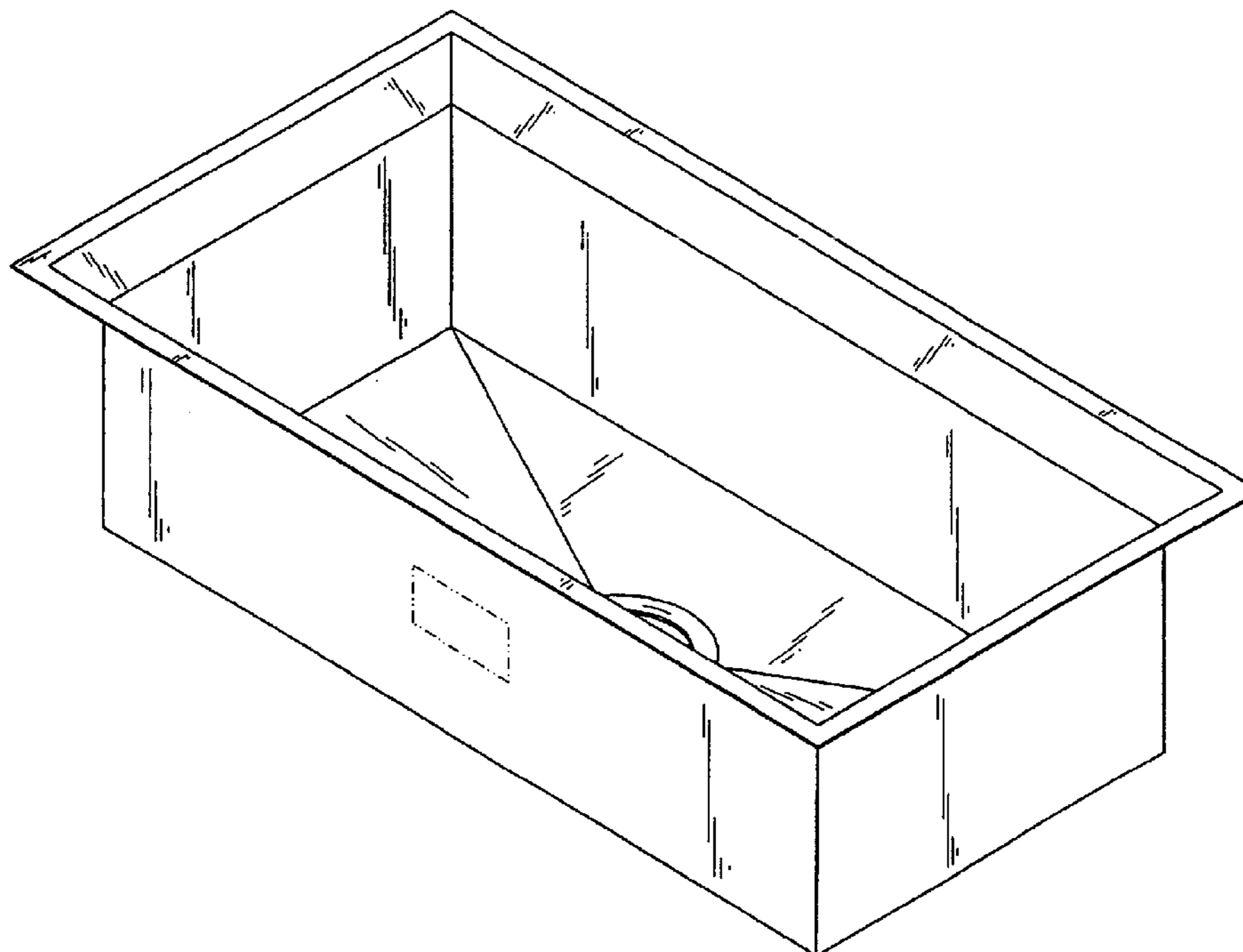
FIG. 3 is a front elevational view thereof, the rear elevational view thereof being a mirror image of the front elevational view shown;

FIG. 4 is a bottom plan view thereof; and,

FIG. 5 is a right side elevational view thereof, the left side elevational view being identical to the right side shown.

The broken line representations of a sound deadening pad in FIGS. 1, 3, 4 and 5 are for the purpose of illustration only, and form no part of the claimed design.

1 Claim, 4 Drawing Sheets



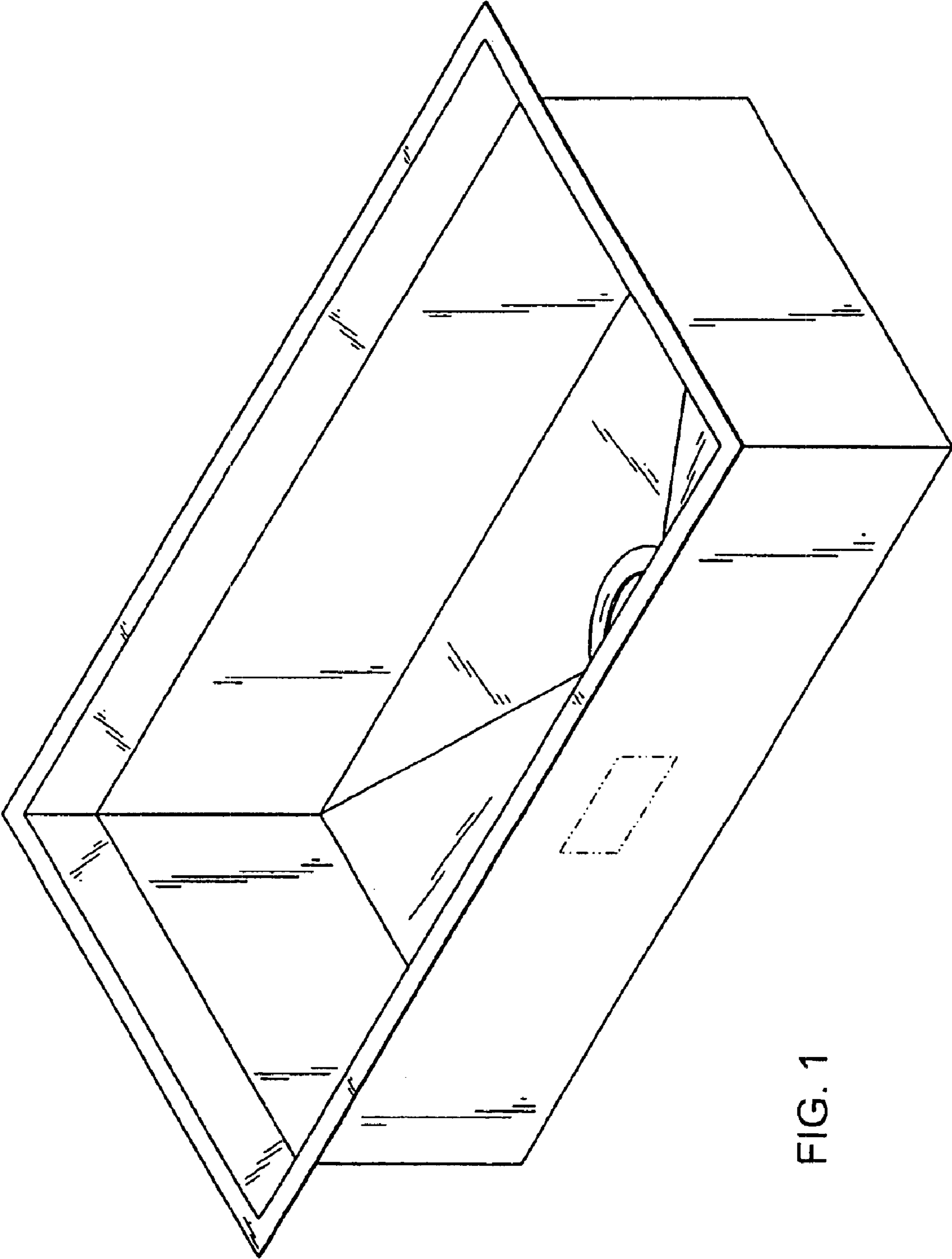


FIG. 1

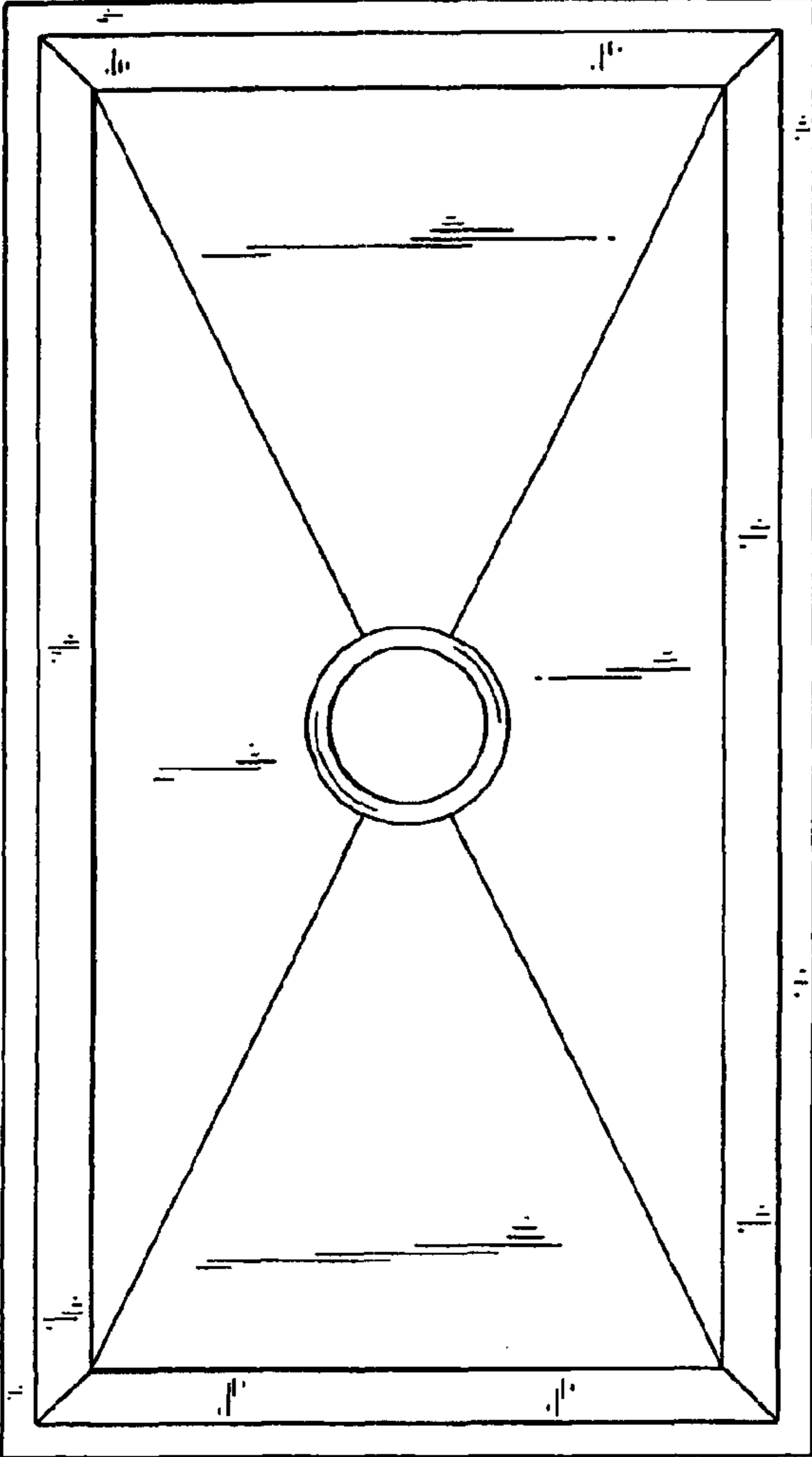


FIG. 2

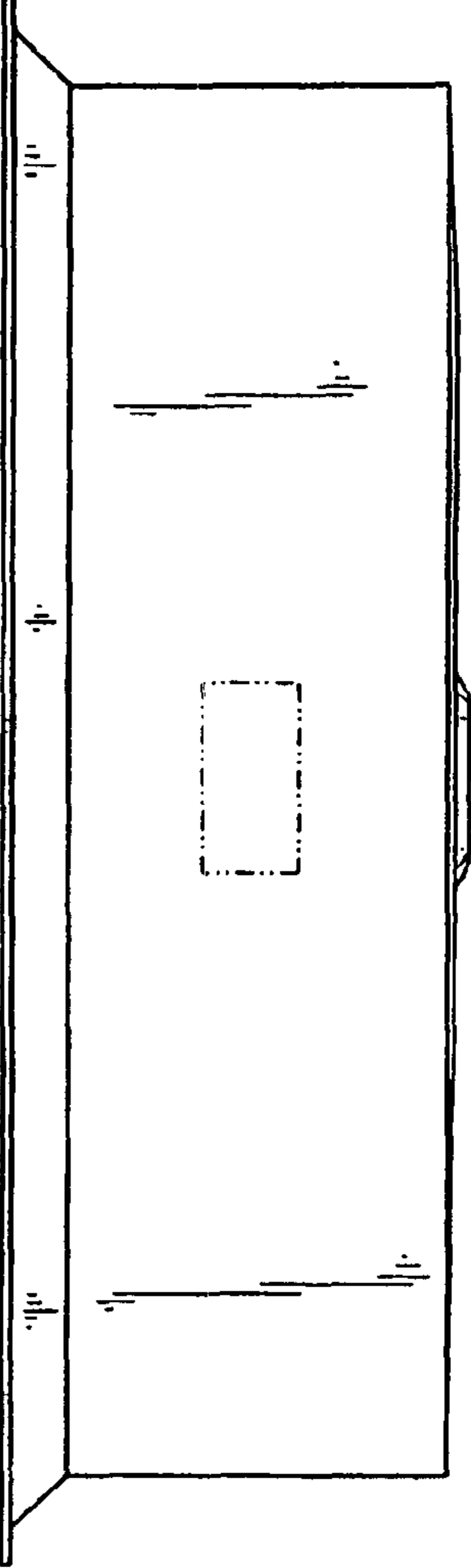


FIG. 3

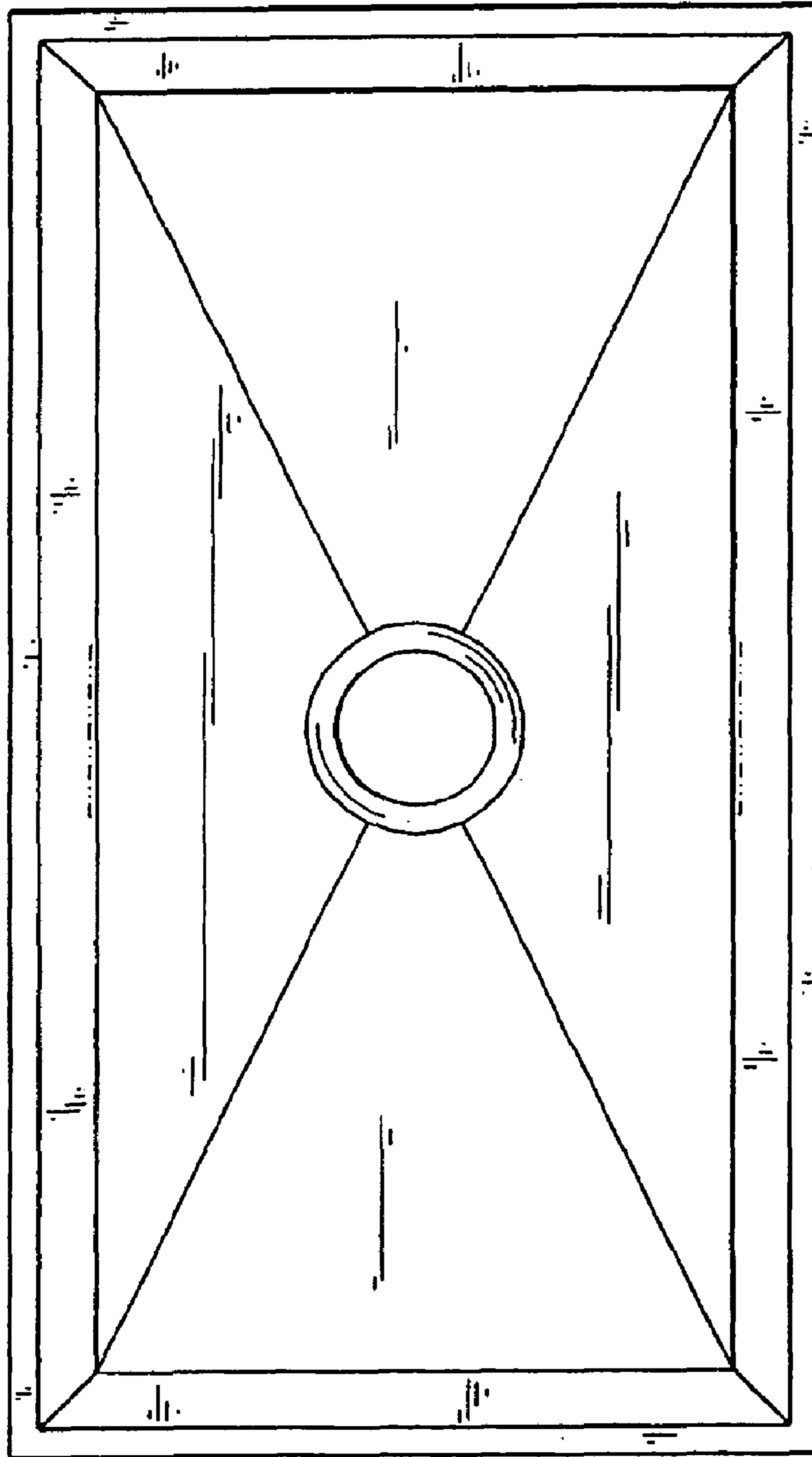


FIG. 4

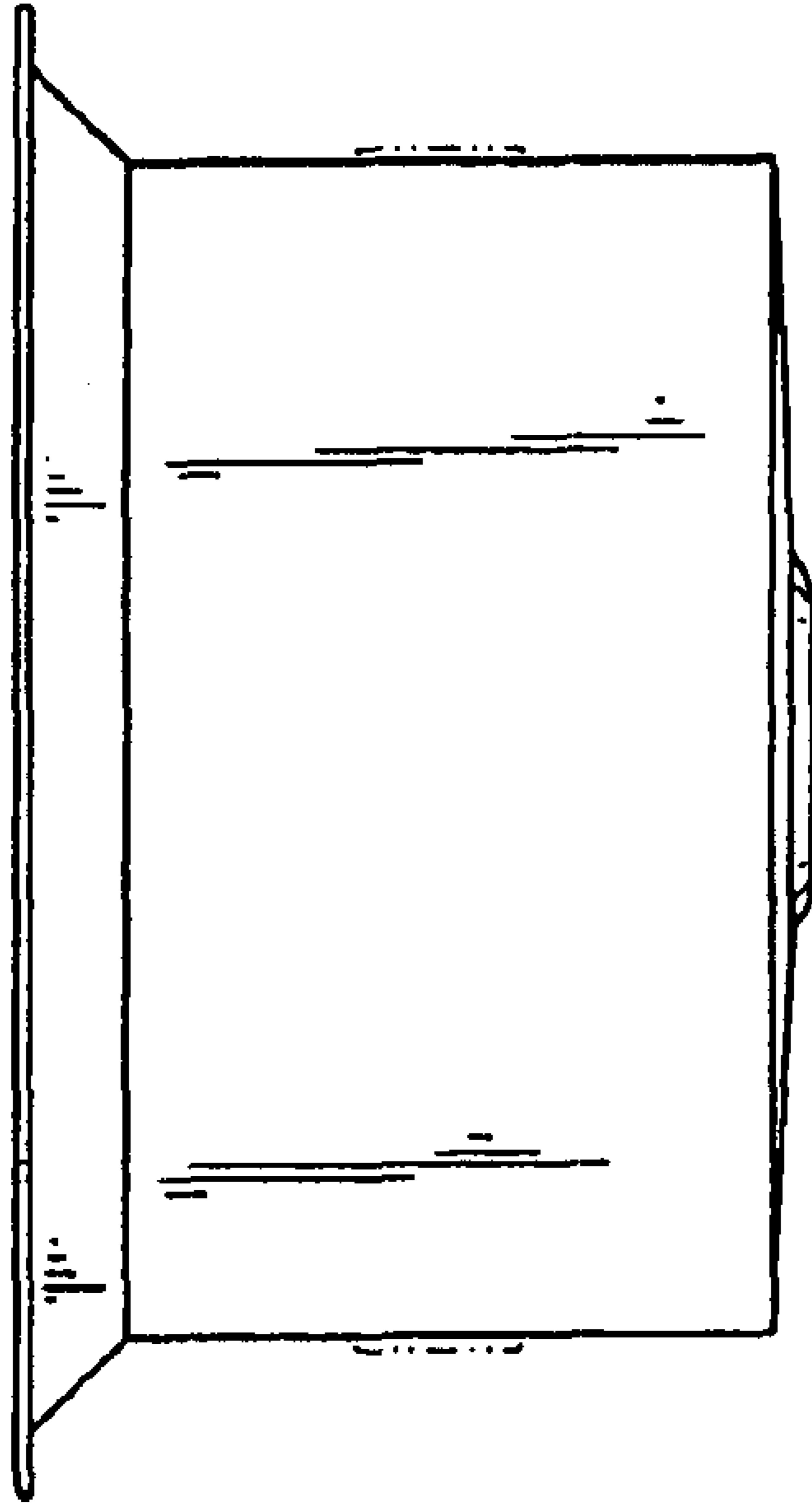


FIG. 5