

US00D505185S

(12) **United States Design Patent**
Find et al.

(10) **Patent No.: US D505,185 S**

(45) **Date of Patent: ** May 17, 2005**

(54) **HANDLE**

(75) Inventors: **Poul Erik Find, Sonderso (DK);
Benedicte Find, Sonderso (DK)**

(73) Assignee: **Damixa (DK); A/S**

(**) Term: **14 Years**

(21) Appl. No.: **29/189,854**

(22) Filed: **Sep. 11, 2003**

(30) **Foreign Application Priority Data**

Mar. 12, 2003 (DK) DA 2003 00189

(51) **LOC (7) Cl. 23-01**

(52) **U.S. Cl. D23/250; D23/252**

(58) **Field of Search** D23/238-243,
D23/245, 250-257; D8/300-322, 350-353,
DIG. 3; 16/110.1; 4/675-678; 137/801

(56) **References Cited**

U.S. PATENT DOCUMENTS

D32,496 S * 4/1900 Hills D23/250

D141,187 S * 5/1945 Stanitz D23/252
D373,623 S * 9/1996 Mathison D23/260
D472,962 S * 4/2003 Tripp et al. D23/252

* cited by examiner

Primary Examiner—Louis Zarfaz

Assistant Examiner—Gregory Andoll

(74) *Attorney, Agent, or Firm*—Kwadjo Adusei-Poku;
Lloyd D. Doigan

(57) **CLAIM**

The ornamental design for a handle, as shown and described.

DESCRIPTION

FIG. 1 is a front perspective view of a handle showing our new design;

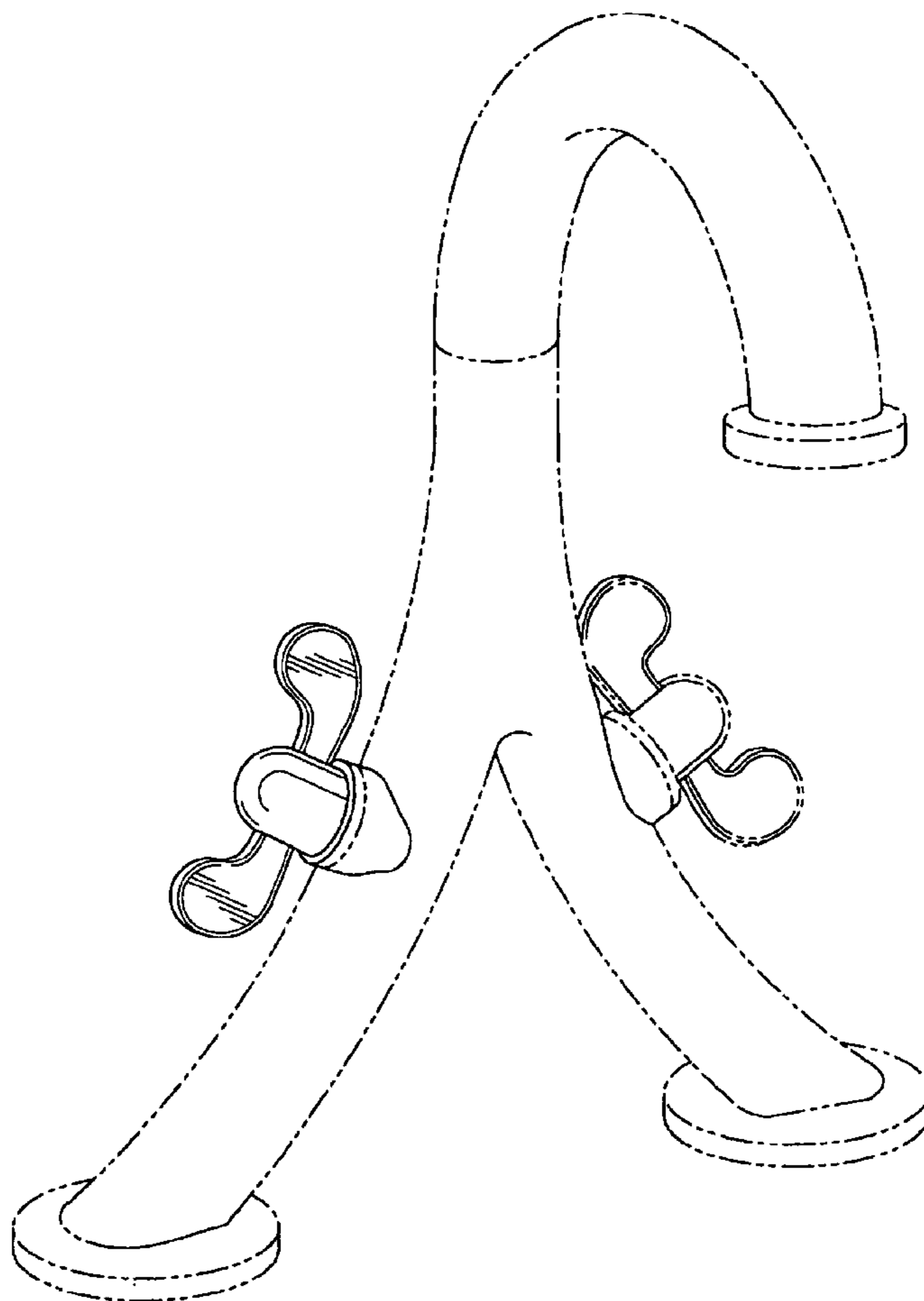
FIG. 2 is a front elevational view thereof, the rear elevational view being a mirror image thereof;

FIG. 3 is top plan view thereof; and,

FIG. 4 is a right side elevational view thereof, the left side elevational view being a mirror image thereof.

The broken lines in the Figures are illustrative purposes only and form no part of the claimed design.

1 Claim, 2 Drawing Sheets



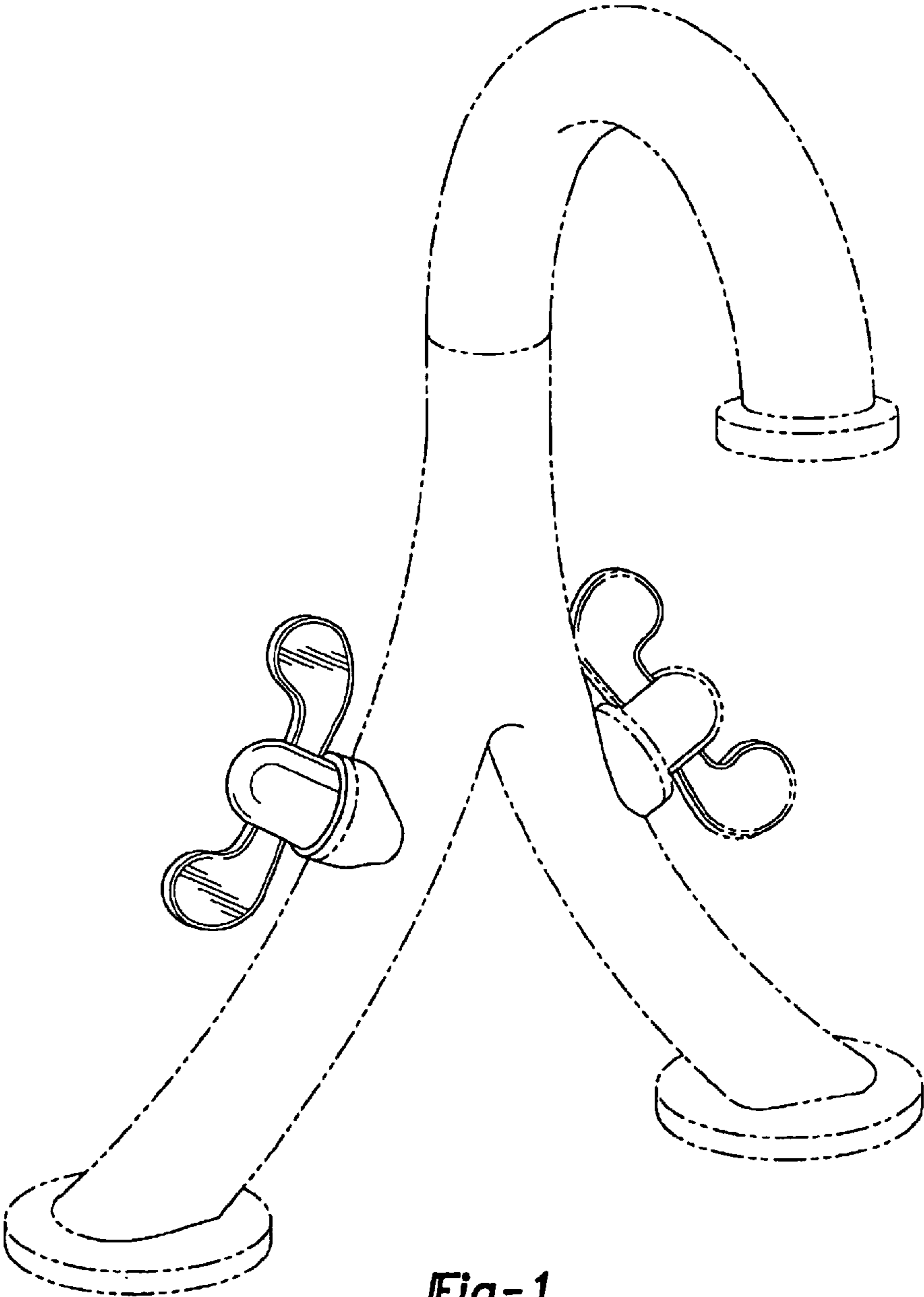


Fig-1

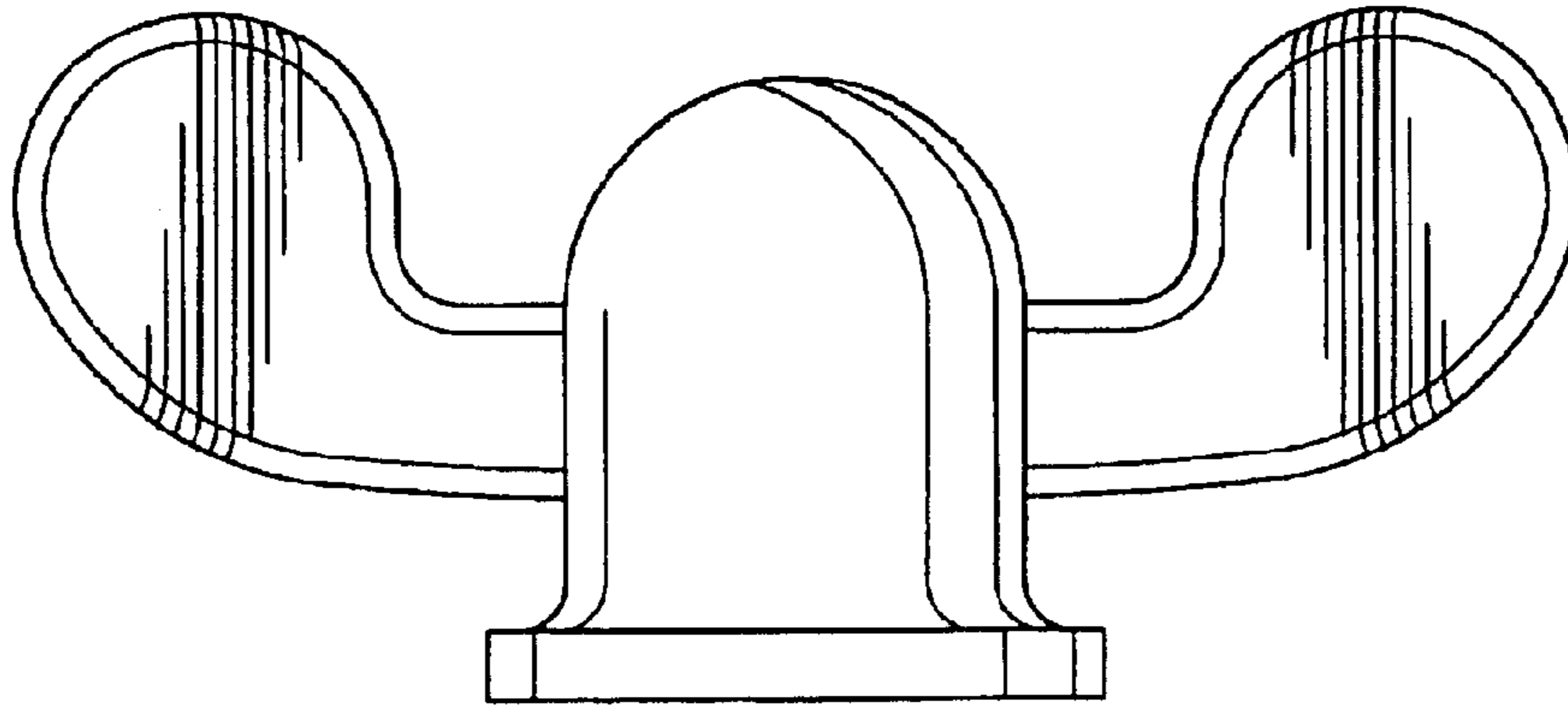


Fig-2

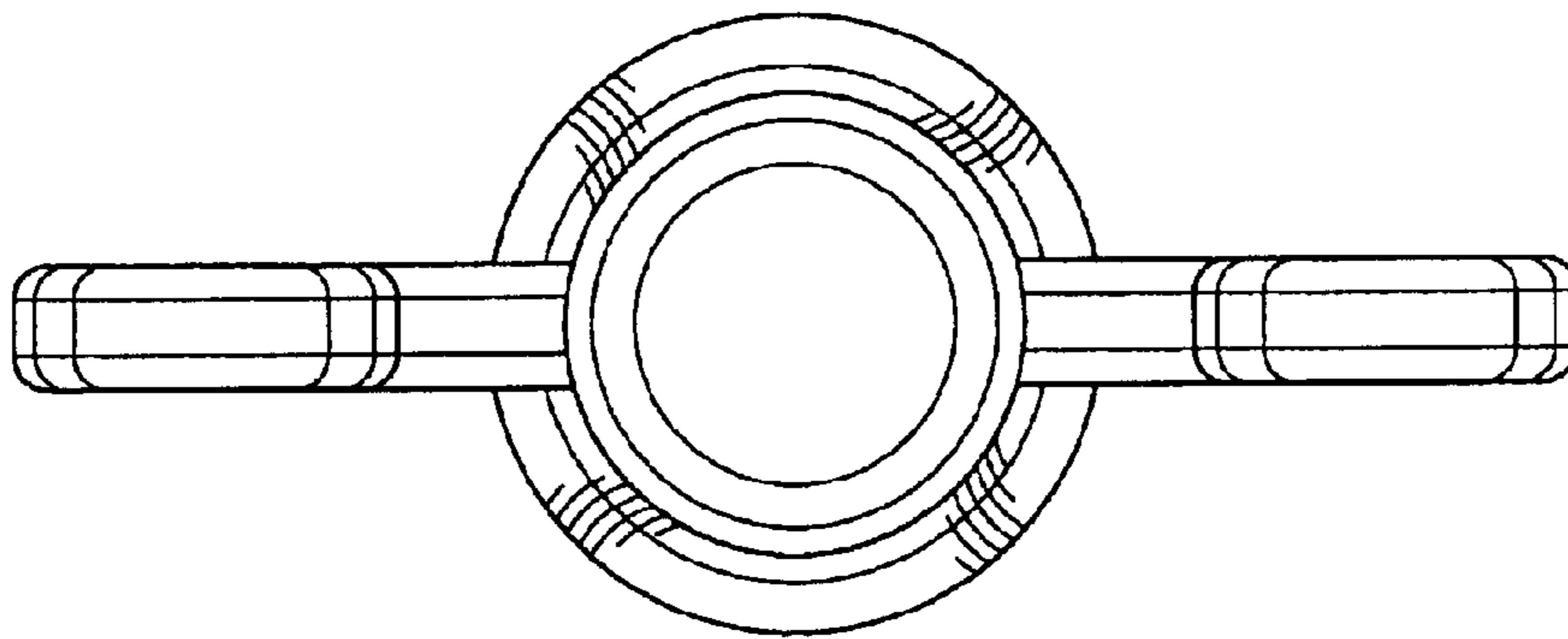


Fig-3

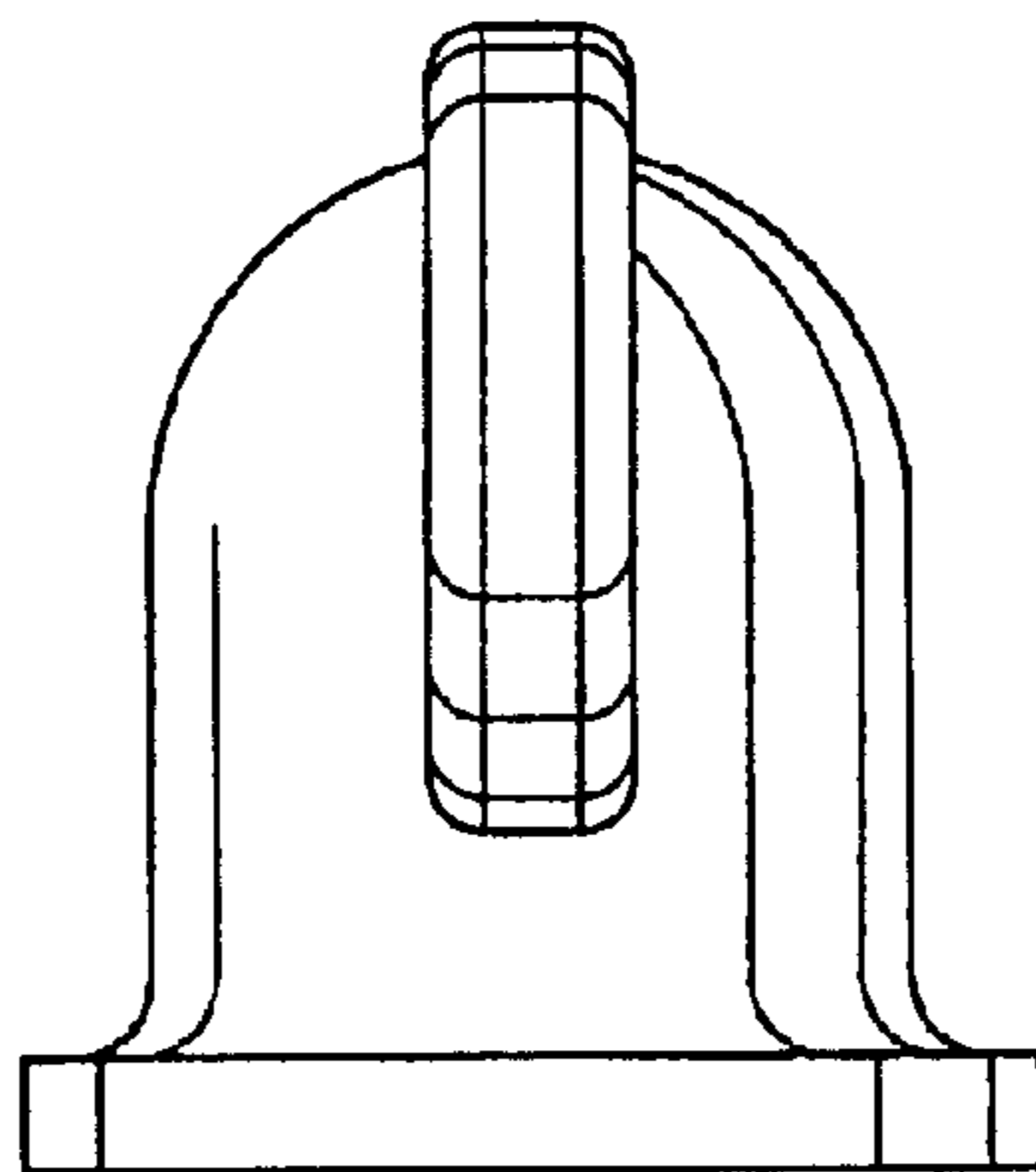


Fig-4