

US00D505184S

(12) **United States Design Patent**  
**Trappa**

(10) **Patent No.:** **US D505,184 S**

(45) **Date of Patent:** **\*\* May 17, 2005**

(54) **VALVE**

(75) **Inventor:** **Angelo Trappa, Castegnato (IT)**

(73) **Assignee:** **Valvosanitaria Bugatti S.p.A., Brescia (IT)**

(\*\*) **Term:** **14 Years**

(21) **Appl. No.:** **29/192,376**

(22) **Filed:** **Oct. 23, 2003**

(30) **Foreign Application Priority Data**

Apr. 24, 2003 (IT) ..... BS2003O0015

(51) **LOC (7) Cl.** ..... **23-01**

(52) **U.S. Cl.** ..... **D23/245**

(58) **Field of Search** ..... D23/233, 244-250;  
251/315.1, 315.01, 309-310

(56) **References Cited**

**U.S. PATENT DOCUMENTS**

D183,042 S \* 6/1958 Fuglie ..... D23/245

D318,903 S \* 8/1991 Lenberg ..... D23/245  
D359,102 S \* 6/1995 Bouc et al. .... D23/233  
D359,103 S \* 6/1995 Bouc et al. .... D23/233  
D400,970 S \* 11/1998 Voo ..... D23/245  
D429,518 S \* 8/2000 Ferrer Beltran ..... D23/233  
D429,519 S \* 8/2000 Ferrer Beltran ..... D23/233  
D429,520 S \* 8/2000 Ferrer Beltran ..... D23/233  
D430,922 S \* 9/2000 Hung-Lin ..... D23/245  
D473,631 S \* 4/2003 Lai ..... D23/245

\* cited by examiner

*Primary Examiner*—Nelson C. Holtje

(74) *Attorney, Agent, or Firm*—McGlew and Tuttle, P.C.

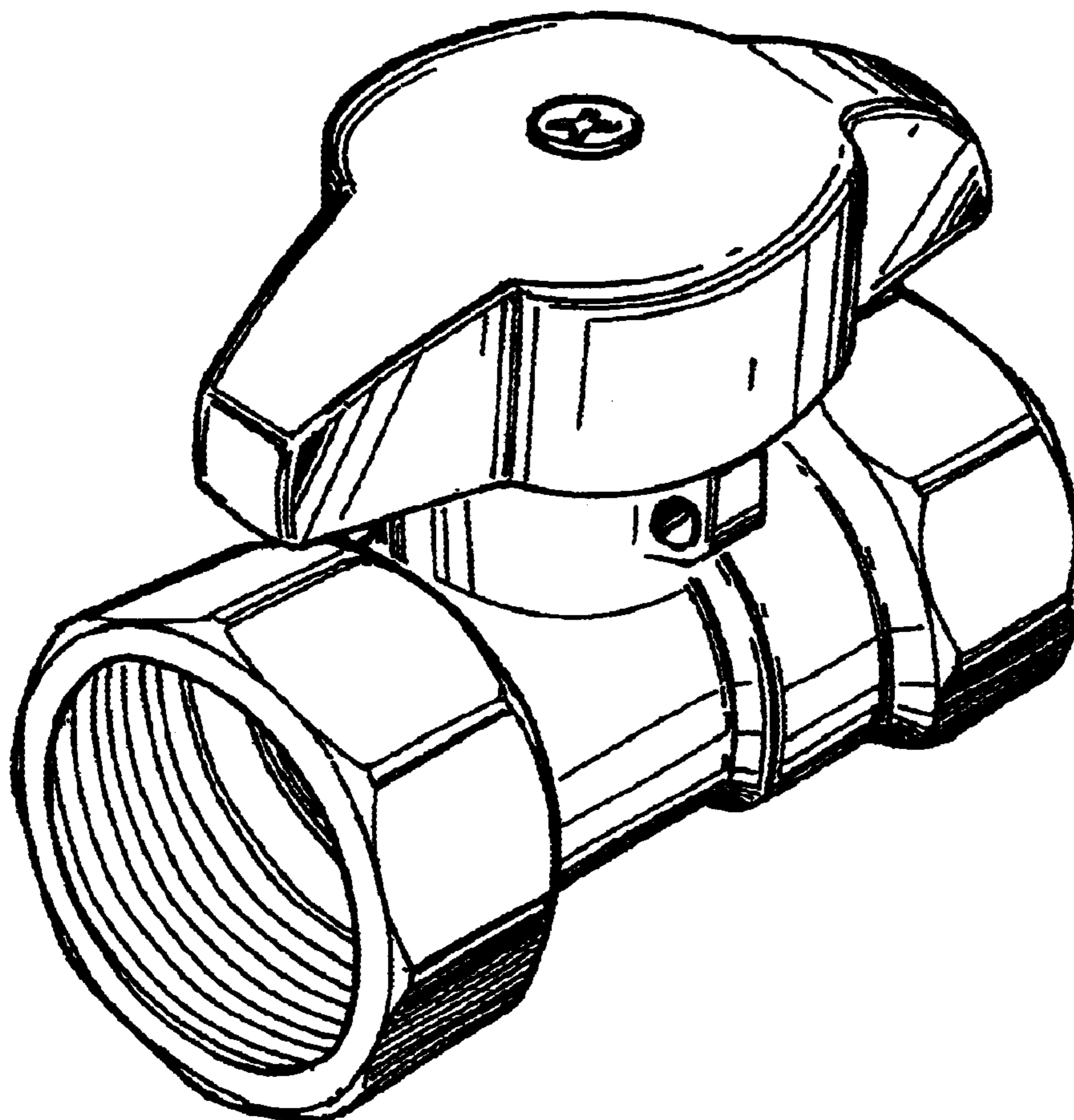
(57) **CLAIM**

The ornamental design for a valve, as shown and described.

**DESCRIPTION**

FIG. 1 is a perspective view of my new valve design; and FIG. 2 is a side view thereof.

**1 Claim, 1 Drawing Sheet**



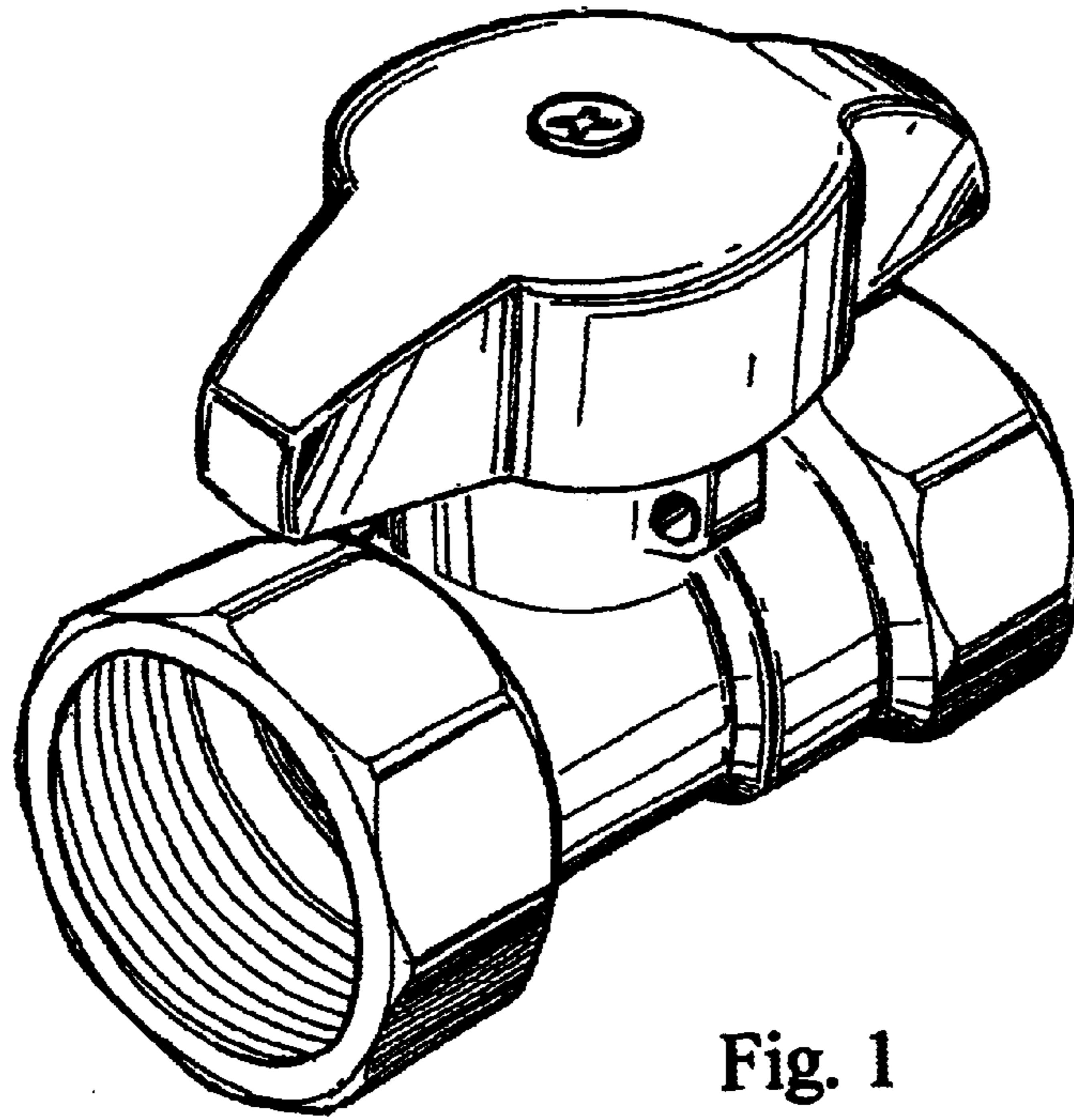


Fig. 1

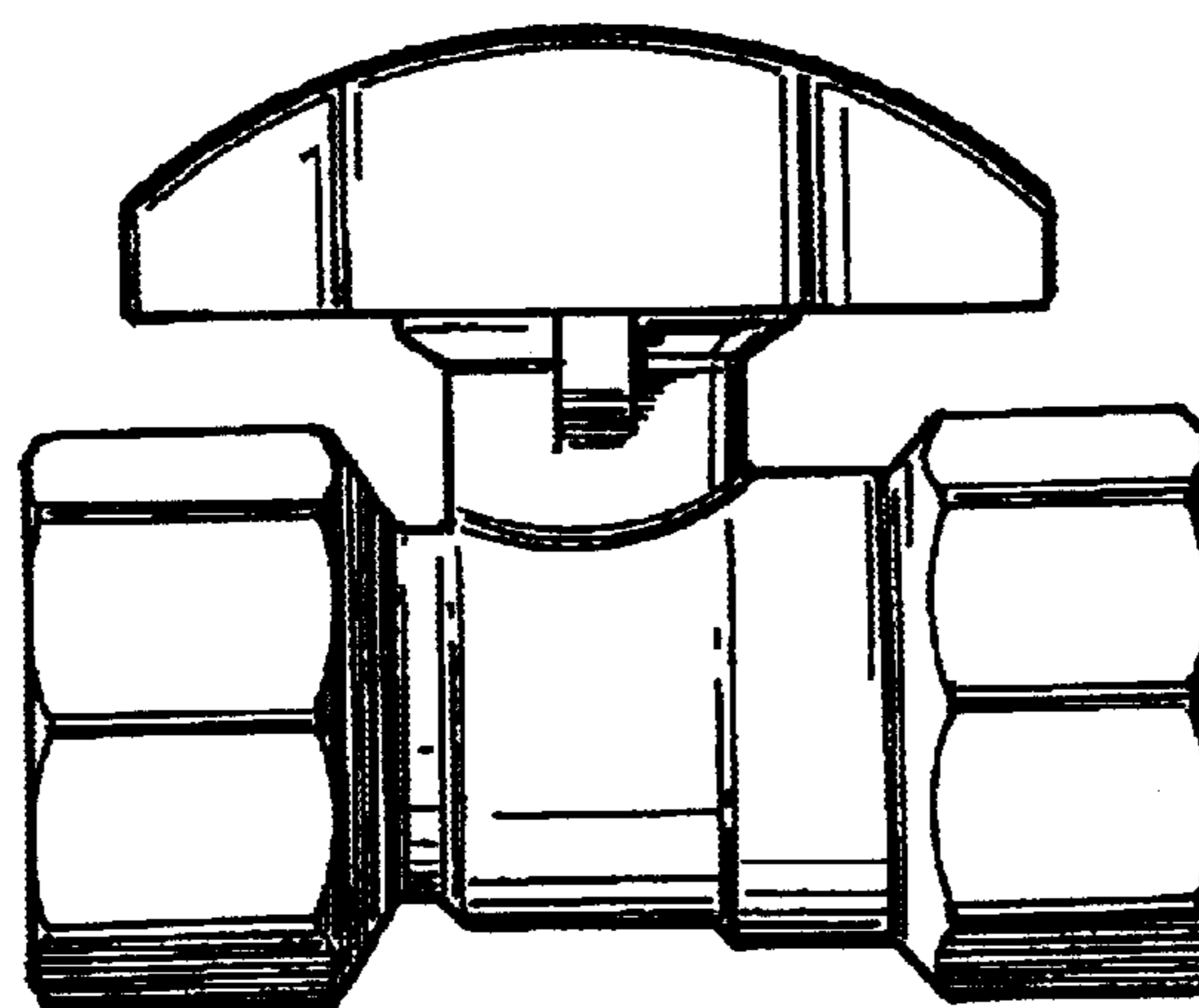


Fig. 2