



US00D505181S

(12) **United States Design Patent** (10) **Patent No.:** **US D505,181 S**
Iwabuchi et al. (45) **Date of Patent:** **** May 17, 2005**

(54) **SKIRT PORTION OF FISHING REEL SPOOL**

(75) Inventors: **Masakazu Iwabuchi**, Tondabayashi (JP); **Akira Nago**, Sakai (JP)

(73) Assignee: **Shimano Inc.**, Osaka (JP)

(**) Term: **14 Years**

(21) Appl. No.: **29/205,474**

(22) Filed: **May 17, 2004**

(30) **Foreign Application Priority Data**

Dec. 25, 2003 (JP) 2003-038289

(51) **LOC (7) Cl.** **22-05**

(52) **U.S. Cl.** **D22/141**

(58) **Field of Search** D22/140, 137-141;
242/286-287, 232, 310-312, 316, 323;
43/19-22

(56) **References Cited**

U.S. PATENT DOCUMENTS

- D374,908 S * 10/1996 Koelewyn D22/141
- D400,640 S * 11/1998 Ohba et al. D22/141
- D443,019 S * 5/2001 Kang et al. D22/141
- 6,629,655 B2 * 10/2003 Kitajima 242/311

* cited by examiner

Primary Examiner—Catherine R. Oliver

(74) *Attorney, Agent, or Firm*—Shinju Global IP Counselors, LLP

(57) **CLAIM**

The ornamental design for a skirt portion of fishing reel spool, as shown and described.

DESCRIPTION

FIG. 1 is a front elevational view of the fishing reel with the spool having the skirt portion in accordance with our new design;

FIG. 2 is a front elevational view of the spool having the skirt portion in accordance with our new design, viewed along line 2—2 in FIG. 7;

FIG. 3 is a rear elevational view of the fishing reel with the spool having the skirt portion in accordance with our new design;

FIG. 4 is a rear elevational view of the spool having the skirt portion in accordance with our new design, viewed along line 4—4 in FIG. 7;

FIG. 5 is a top plan view of the fishing reel with the spool having the skirt portion in accordance with our new design;

FIG. 6 is a bottom plan view of the fishing reel with the spool having the skirt portion in accordance with our new design;

FIG. 7 is a left side view of the fishing reel with the spool having the skirt portion in accordance with our new design;

FIG. 8 is a right bottom perspective view of the fishing reel with the spool having the skirt portion in accordance with our new design;

FIG. 9 is a left top perspective view of the fishing reel with the spool having the skirt portion in accordance with our new design;

FIG. 10 is a cross sectional view of the skirt portion of the spool in accordance with our new design, viewed along line 10—10 in FIG. 1; and,

FIG. 11 is a partial cross sectional view of the skirt portion of the spool in accordance with our new design, as viewed along line 11—11 in FIG. 6.

The broken line showing of environment (the remaining structure of the skirt portion of fishing reel spool) in the Figures is for illustrative purposes only and forms no part of the claimed design. Moreover, the structure shown in broken lines is hereby disclaimed. The inner peripheral surface of the skirt portion of fishing reel spool does not form part of the claimed design.

1 Claim, 6 Drawing Sheets

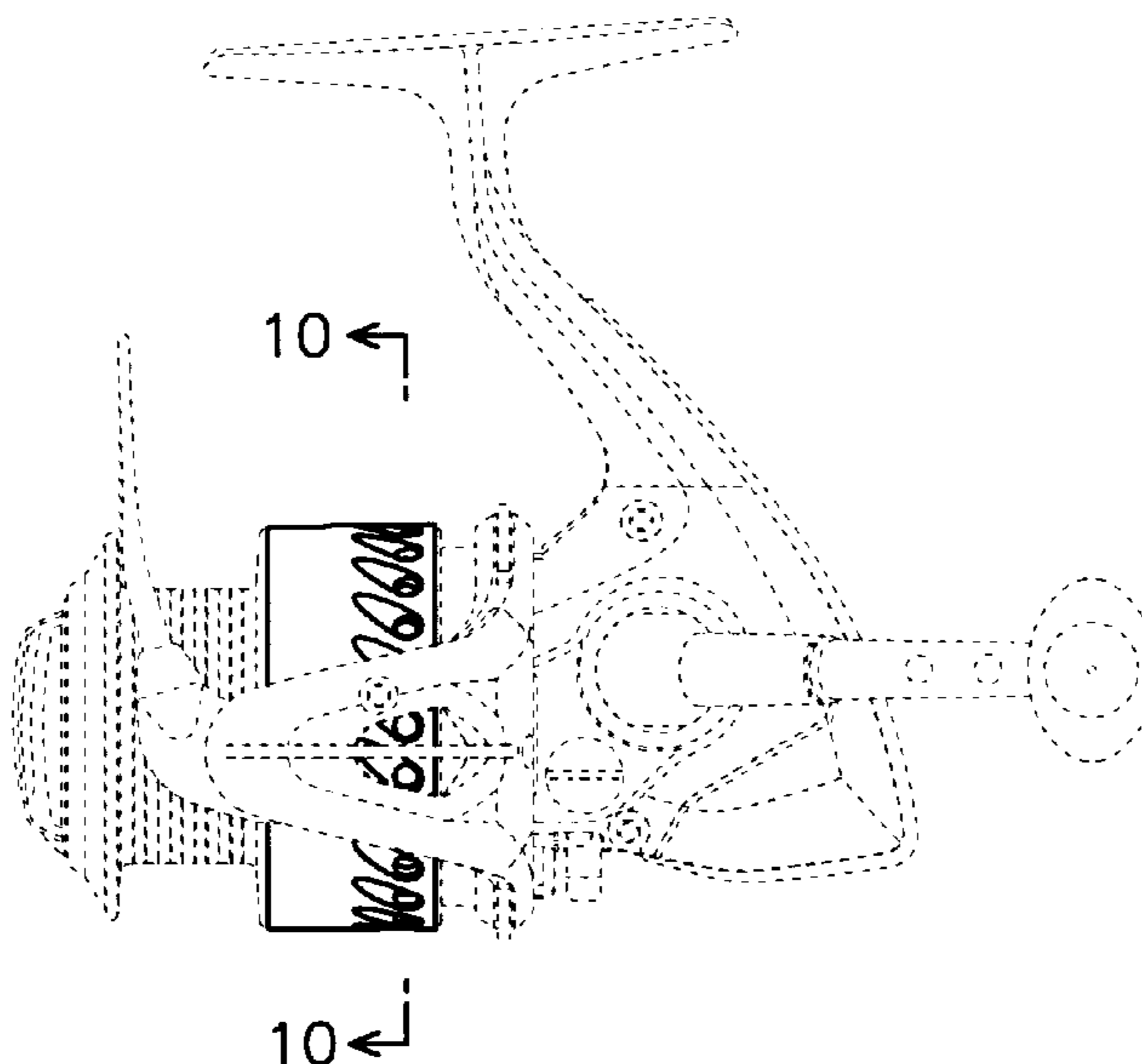


Figure 1

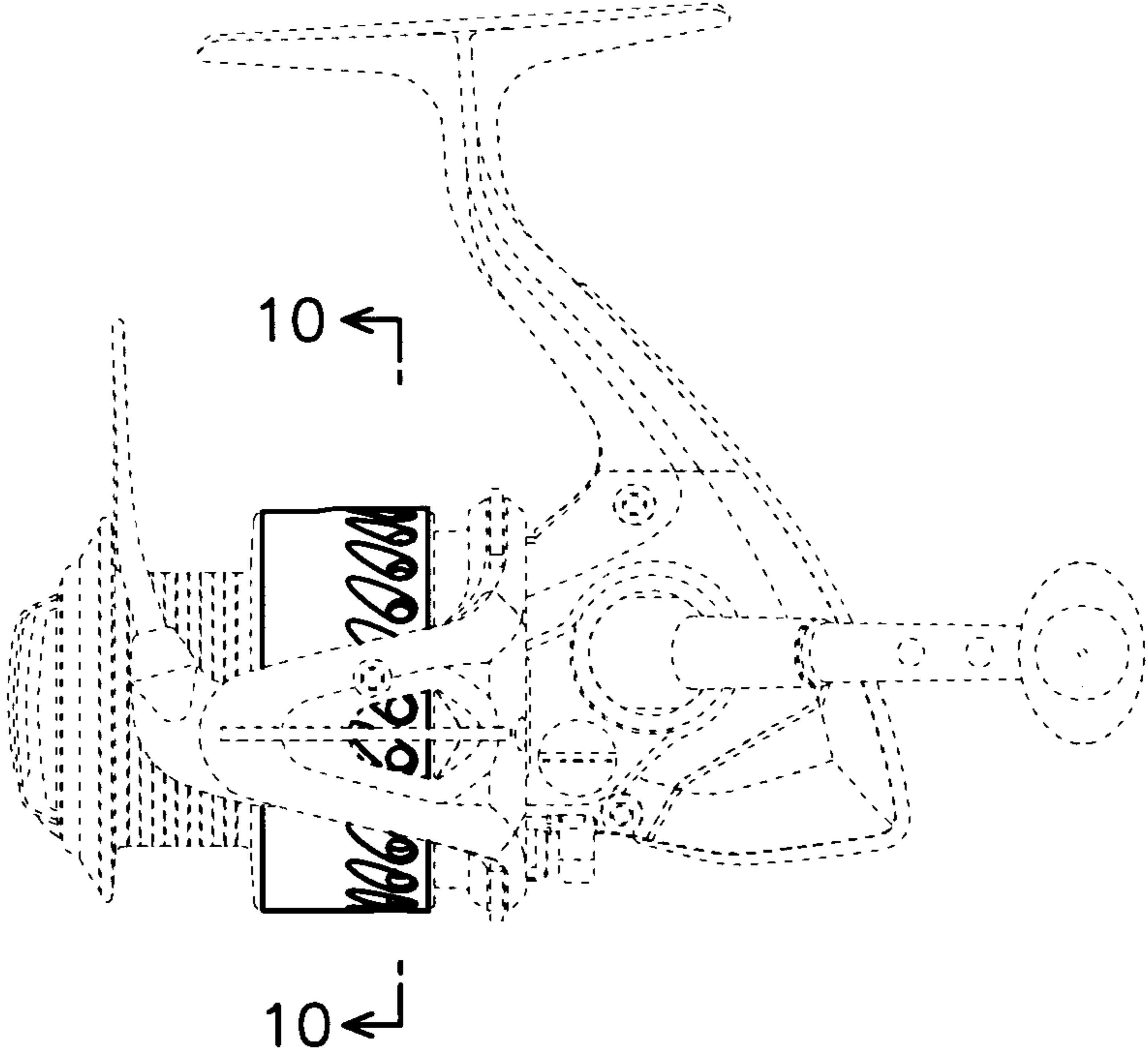


Figure 2

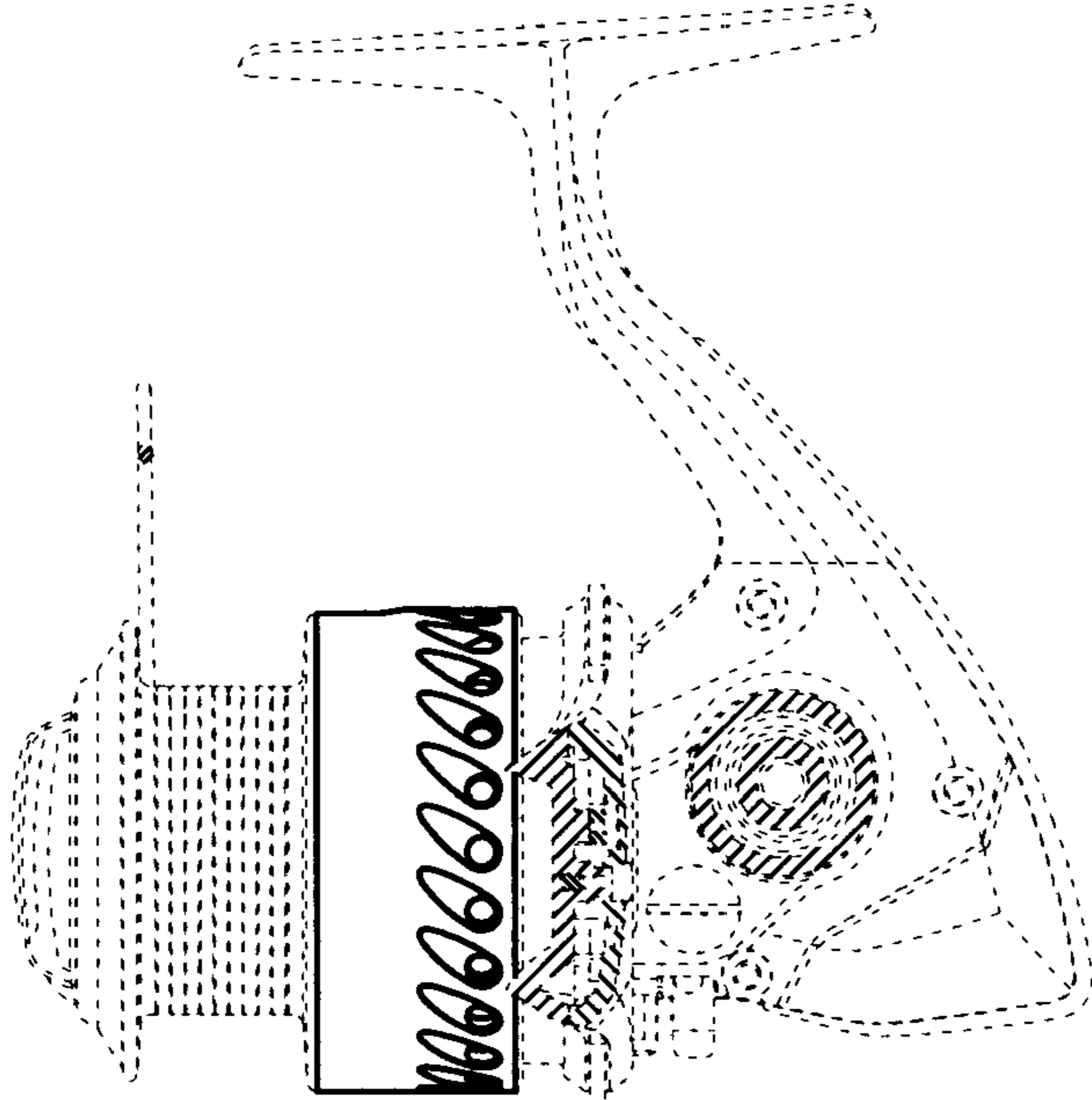


Figure 3

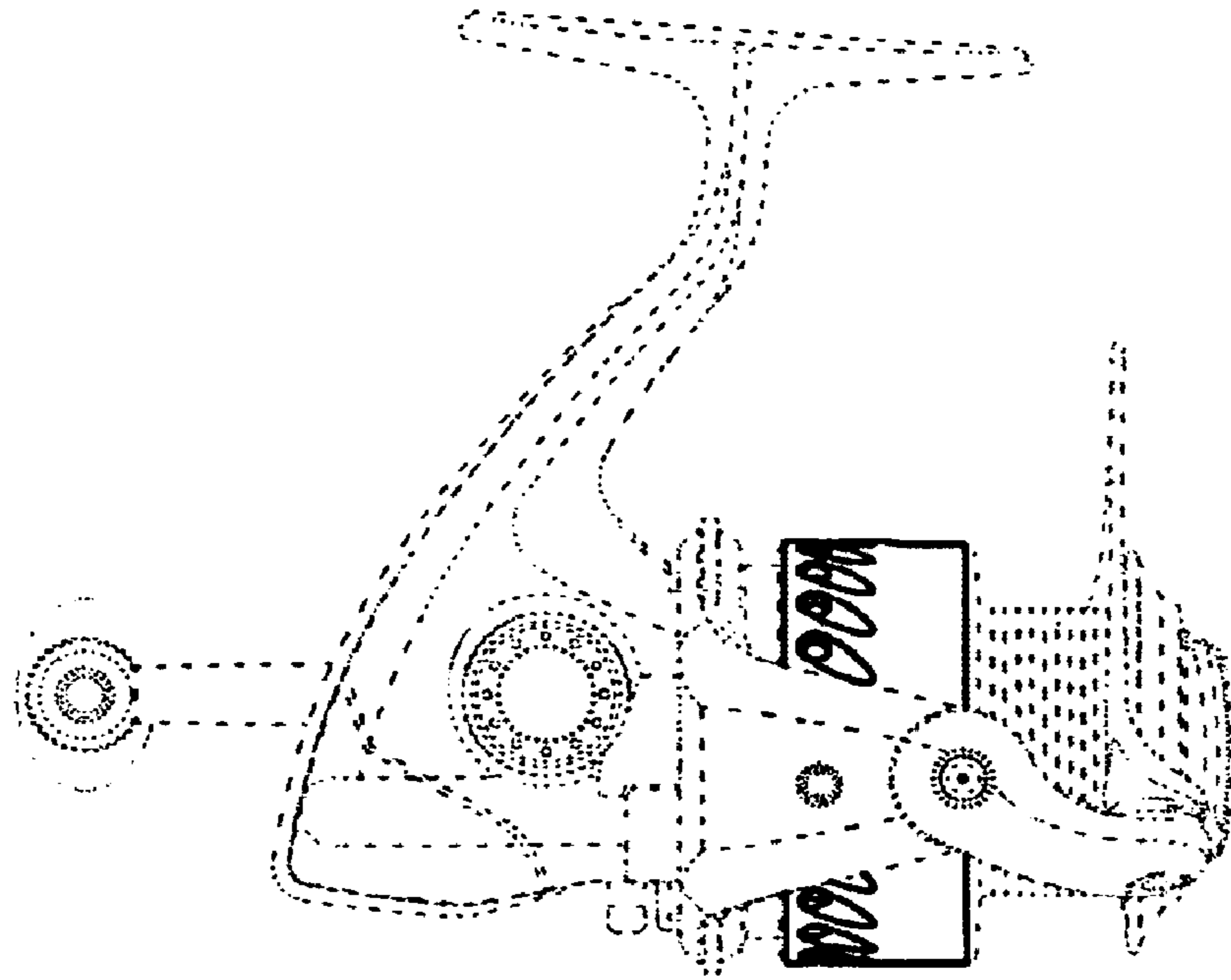


Figure 4

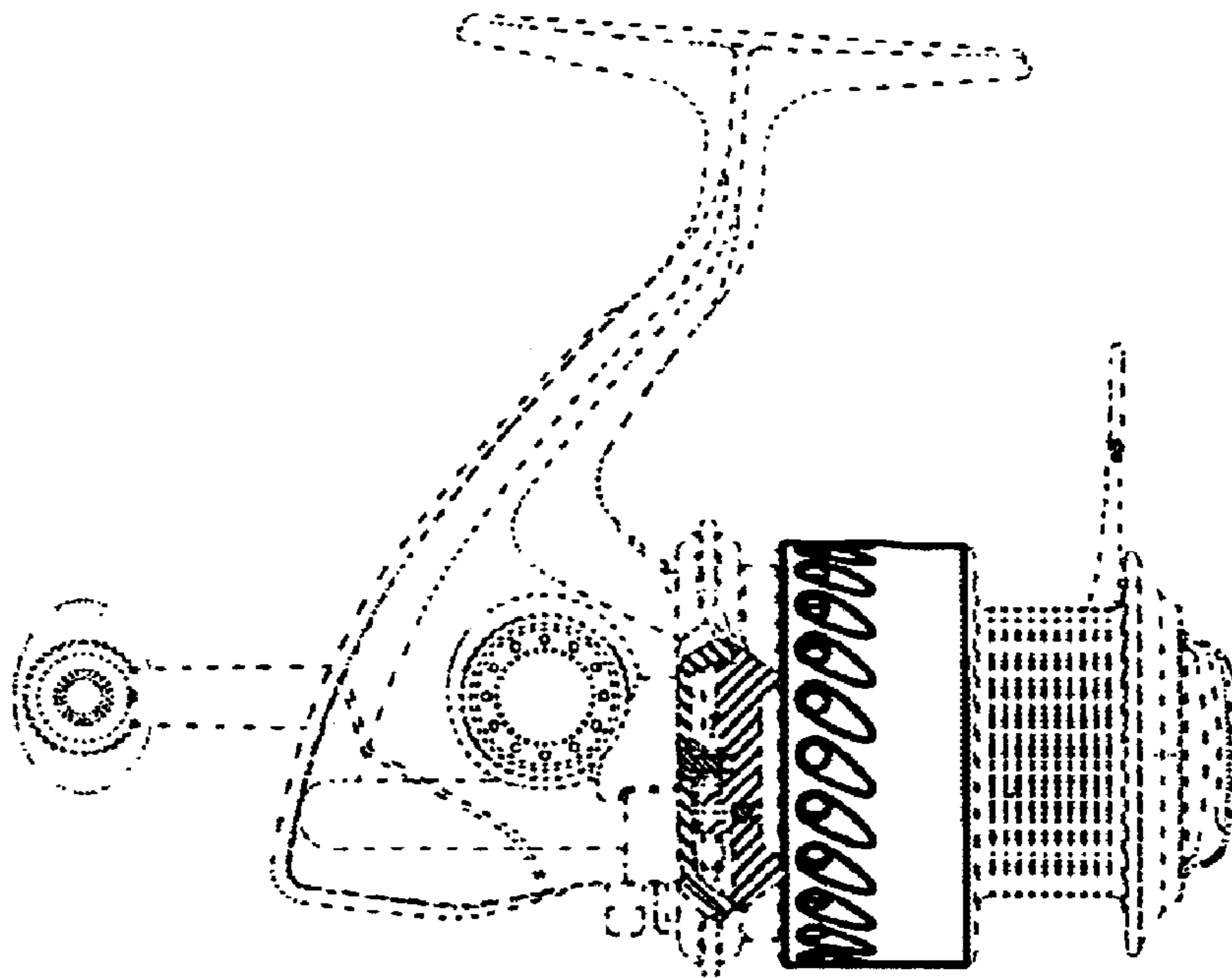


Figure 5

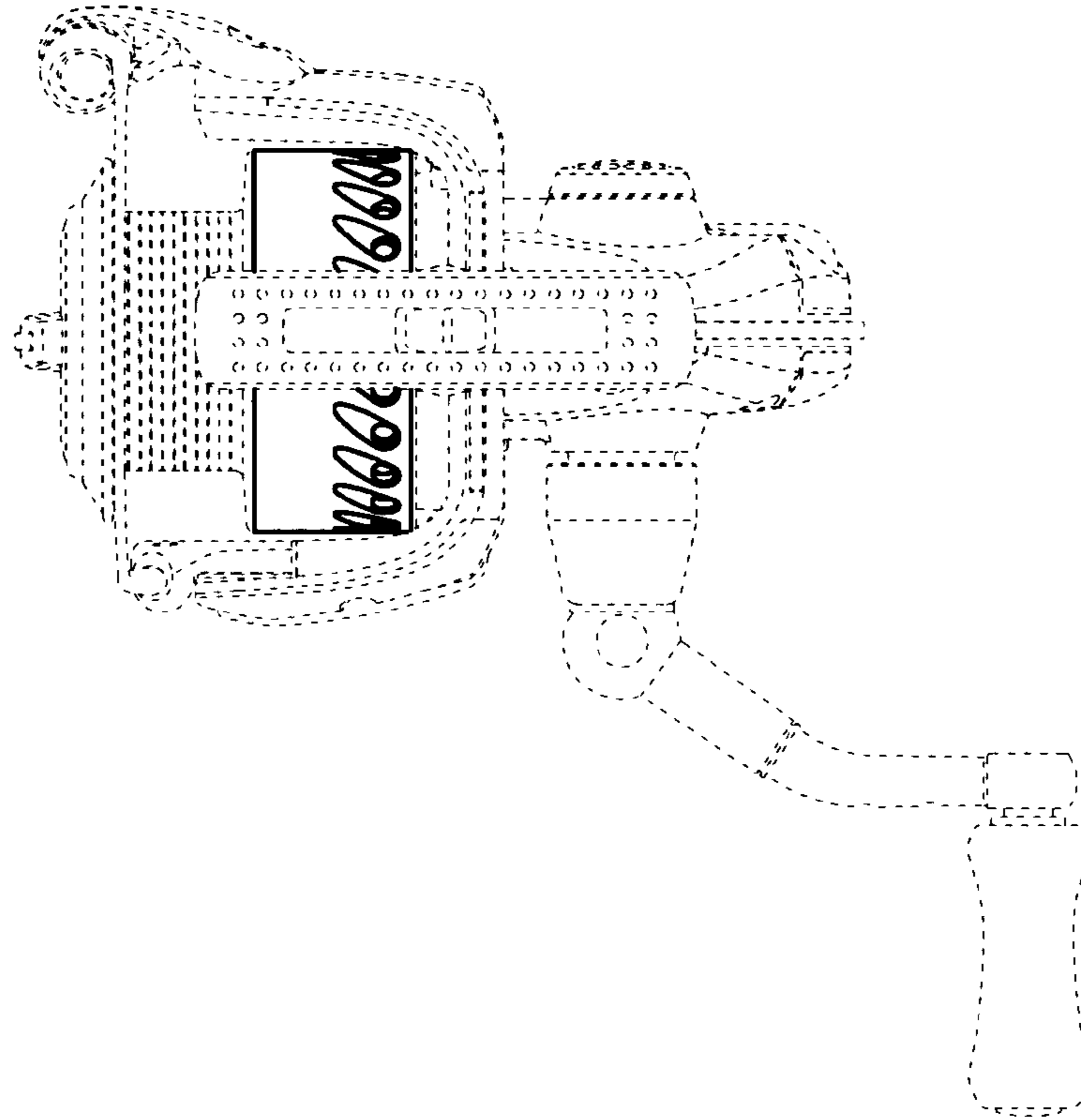


Figure 6

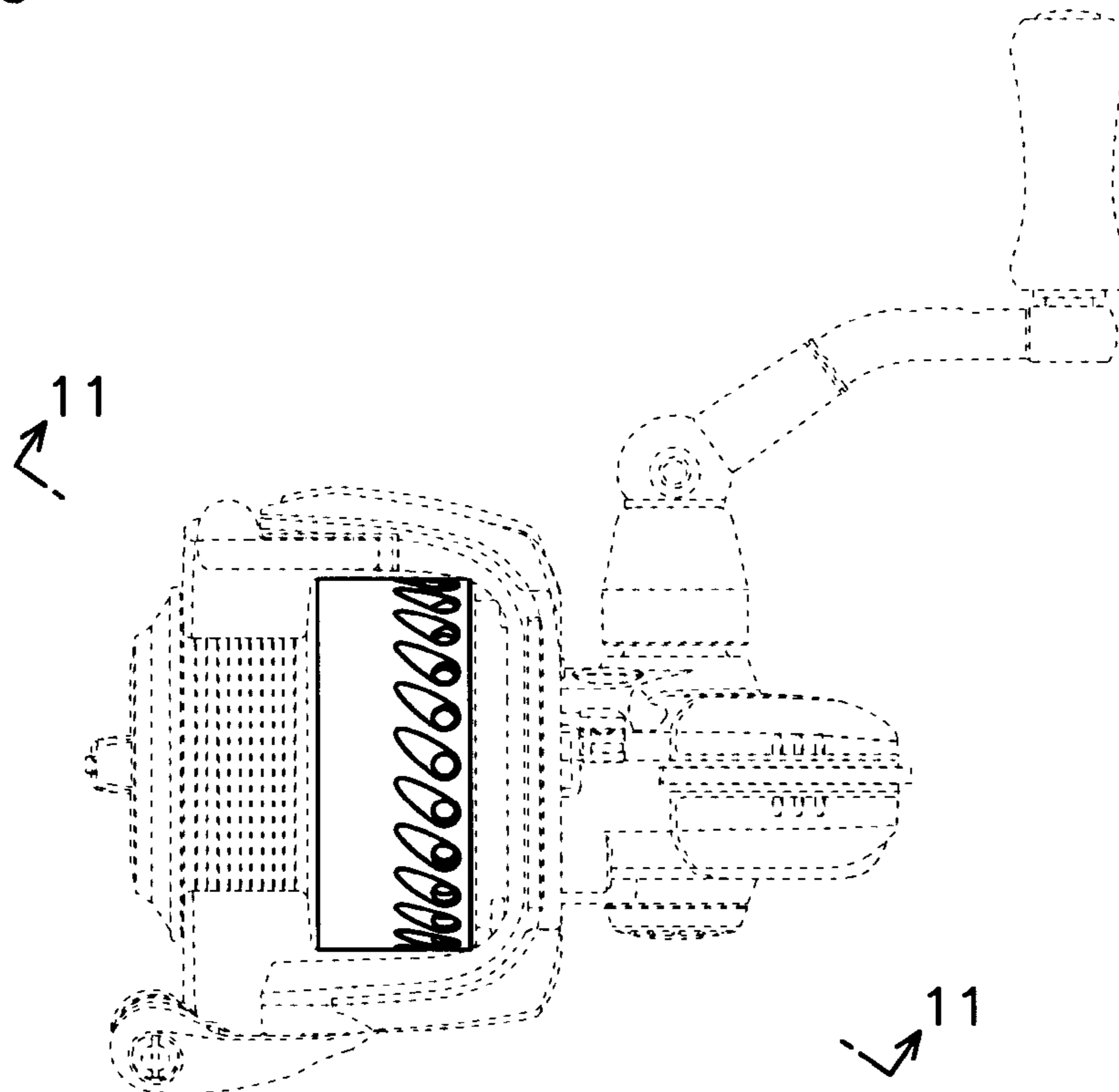


Figure 7

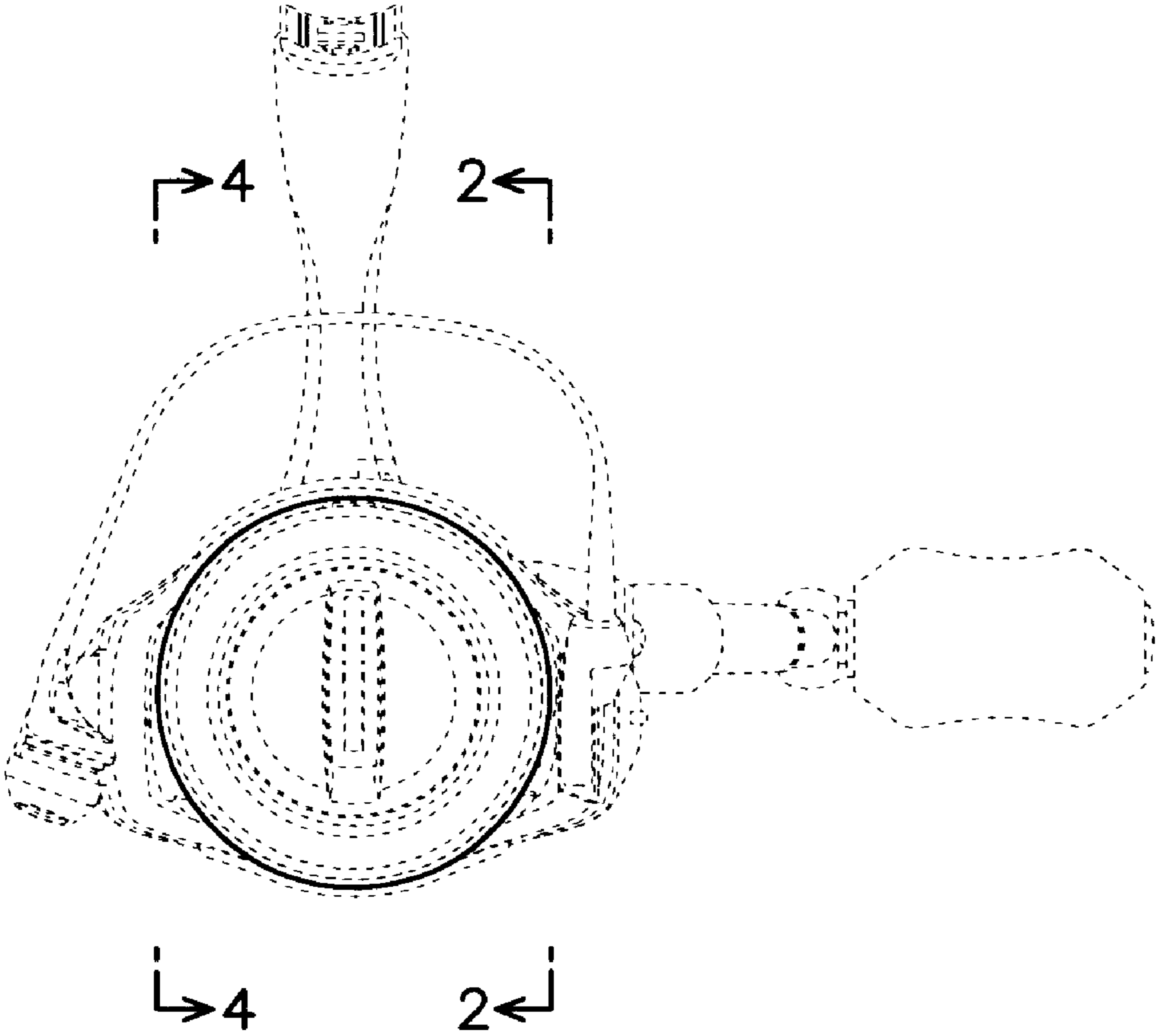


Figure 8

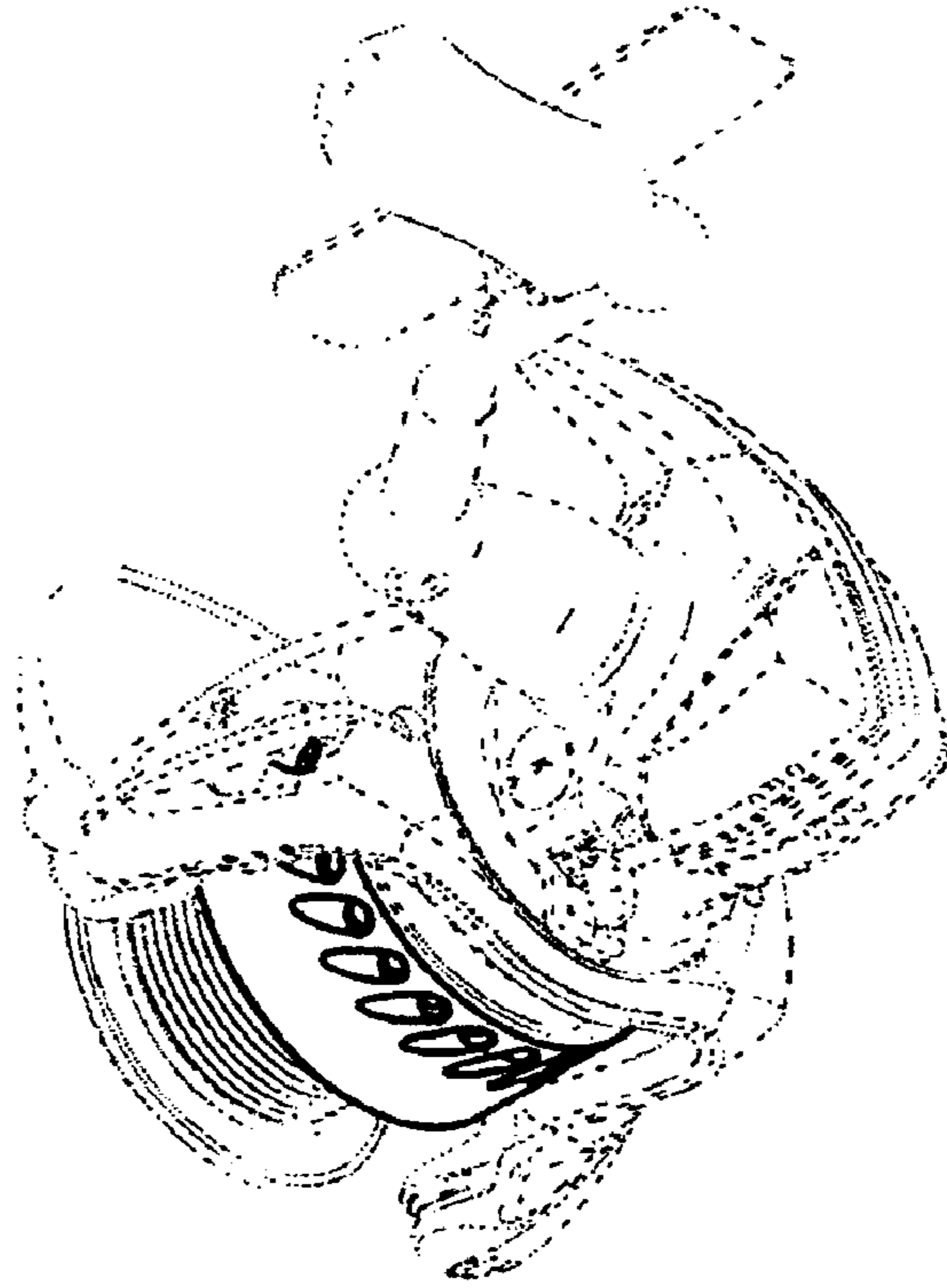


Figure 9

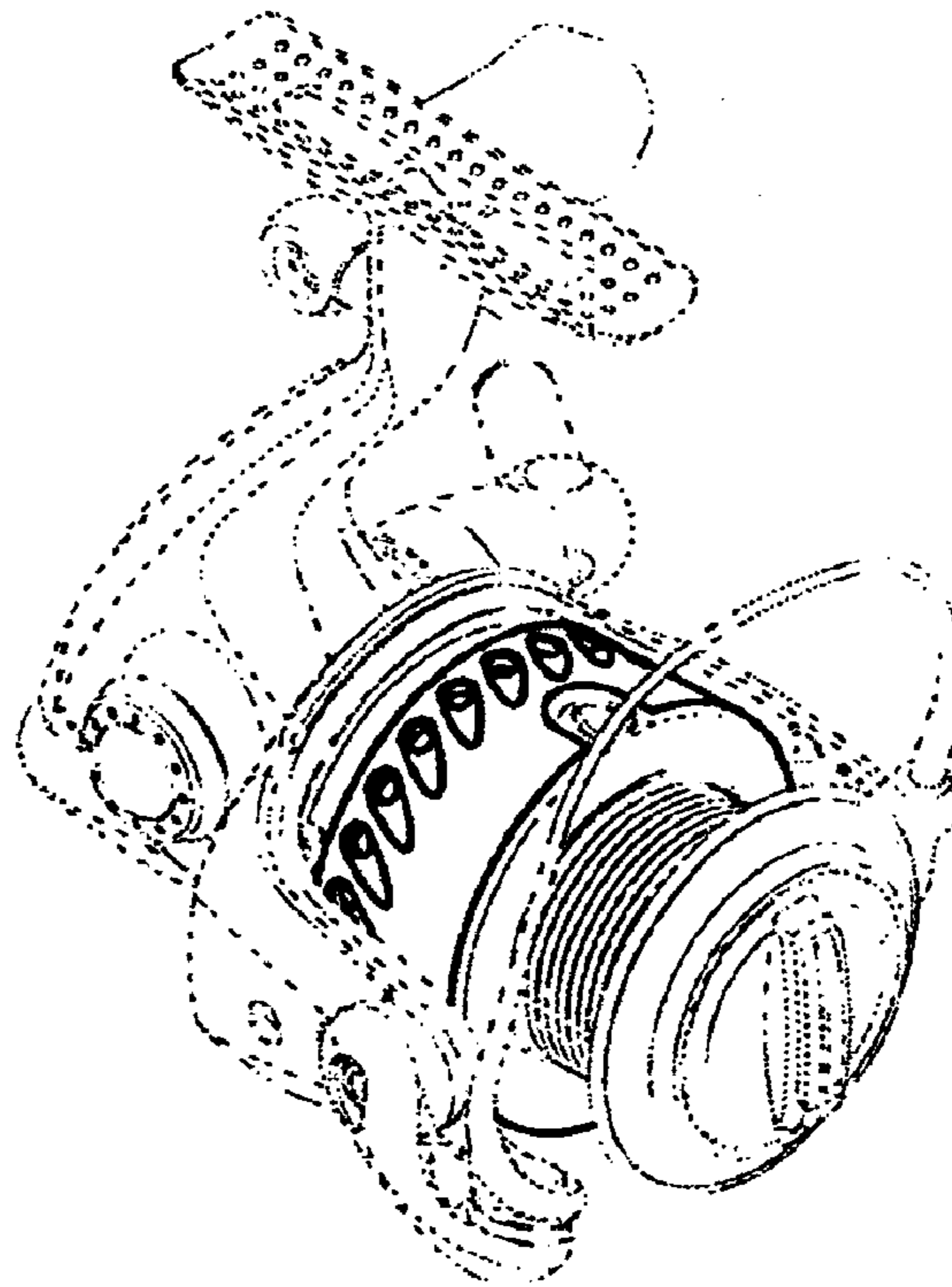


Figure 10

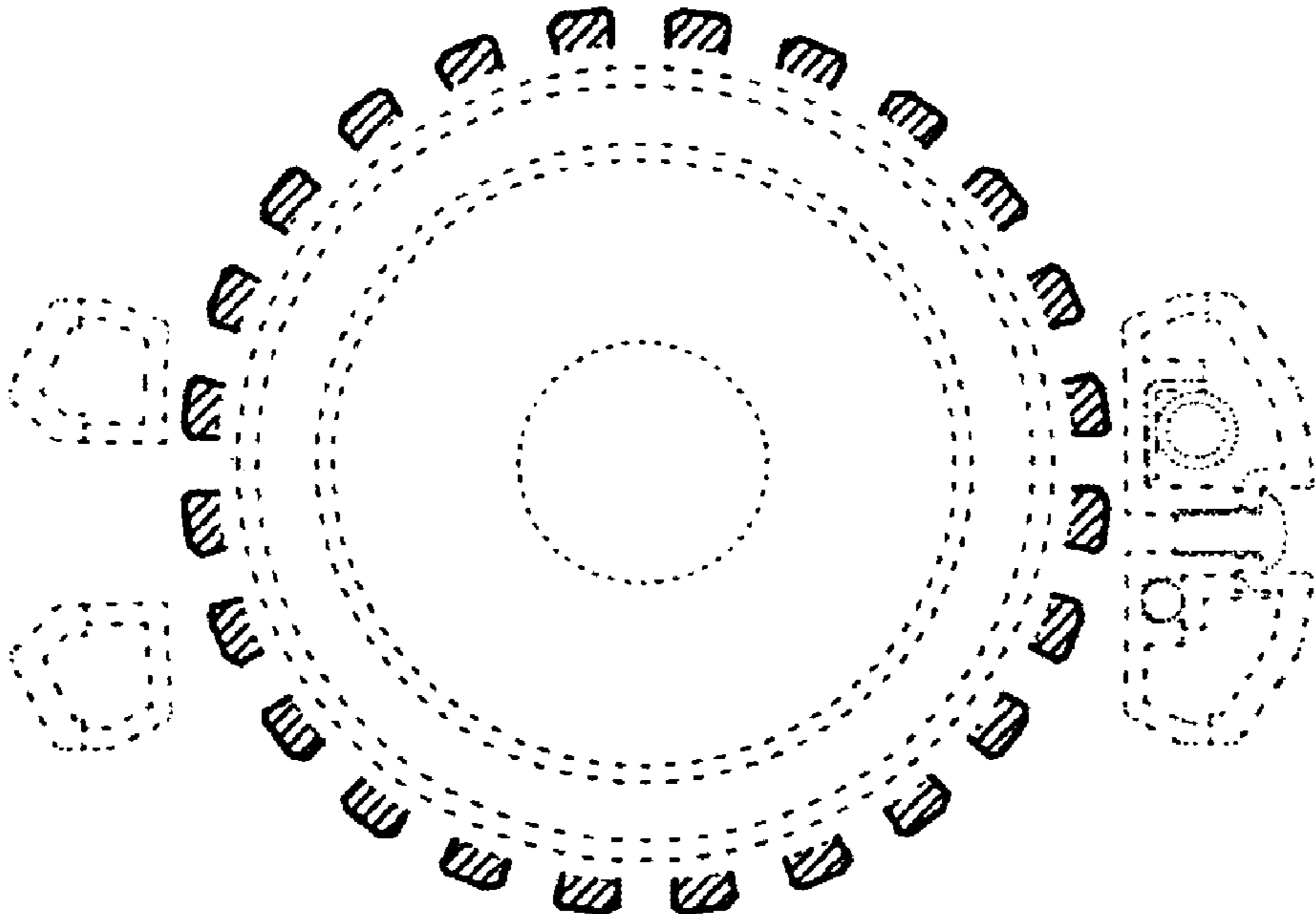


Figure 11

