

US00D505177S

(12) **United States Design Patent**
Fell et al.

(10) **Patent No.:** **US D505,177 S**
(45) **Date of Patent:** **** May 17, 2005**

- (54) **QUICK RELEASE MOUNT FOR WEAPONS WITH RAIL TYPE MOUNTING SYSTEMS AND OTHER APPLICATIONS**
- (76) Inventors: **Oscar M. Fell**, 64 Yacht Haven Dr., Cocoa beach, FL (US) 32931; **Michael Jon Squillante**, 1353 Unter Ave. NW., Palm Bay, FL (US) 32907
- (**) Term: **14 Years**
- (21) Appl. No.: **29/196,960**
- (22) Filed: **Jan. 9, 2004**
- (51) **LOC (7) Cl.** **22-01**
- (52) **U.S. Cl.** **D22/110**
- (58) **Field of Search** D22/100, 108, D22/109, 110, 199; D16/132; D26/38; 42/124-127, 111-112, 119; 248/229.1; 362/100, 113, 114

D308,731 S	6/1990	Maglica et al.	D26/138
D309,255 S	7/1990	Karow, Jr.	D8/395
5,040,322 A	8/1991	Iturrey, Jr.	42/103
5,086,566 A *	2/1992	Klumpp	42/126
5,167,446 A	12/1992	Haroutunian	362/110
D335,718 S	5/1993	Maglica et al.	D26/138
D357,723 S	4/1995	Eddleman	D22/110
D391,335 S *	2/1998	Bechtel	D22/110
D394,096 S *	5/1998	Edgar	D22/110
5,787,630 A *	8/1998	Martel	42/125
D403,393 S *	12/1998	Weast	D22/110
D415,239 S	10/1999	Fell	D22/110
D422,045 S *	3/2000	Fell et al.	D22/110
D444,531 S *	7/2001	Squillante et al.	D22/110
6,425,561 B2 *	7/2002	Wooten et al.	248/229.1
D483,431 S *	12/2003	Squillante et al.	D22/109
D483,650 S *	12/2003	Squillante et al.	D8/349
D492,977 S *	7/2004	Squillante et al.	D22/109

* cited by examiner

Primary Examiner—Ian Simmons
Assistant Examiner—Melanie Levy

(56) **References Cited**

U.S. PATENT DOCUMENTS

2,043,430 A *	6/1936	Doe	42/125
2,546,242 A	3/1951	Stinson	240/6.41
2,657,303 A	10/1953	Dickens	240/6.41
3,222,511 A	12/1965	Breding	240/6.41
3,491,975 A *	1/1970	Weaver	42/124
3,513,549 A *	5/1970	Smiley	42/126
3,513,581 A	5/1970	Salter	42/1
3,611,606 A *	10/1971	Sefried et al.	42/124
3,671,000 A *	6/1972	Williams	248/205.1
3,739,167 A	6/1973	Avery	240/2
3,986,285 A *	10/1976	Krisay	42/127
4,216,600 A *	8/1980	Brueckner et al.	42/127
D260,165 S *	8/1981	Ross	D22/110
4,627,183 A	12/1986	Stuckman	42/1.01
D289,852 S	5/1987	Tuvelson	D8/373
4,758,933 A	7/1988	Winberg et al.	362/110
4,777,754 A	10/1988	Reynolds, Jr.	42/103
4,856,218 A	8/1989	Reynolds, Jr.	42/103

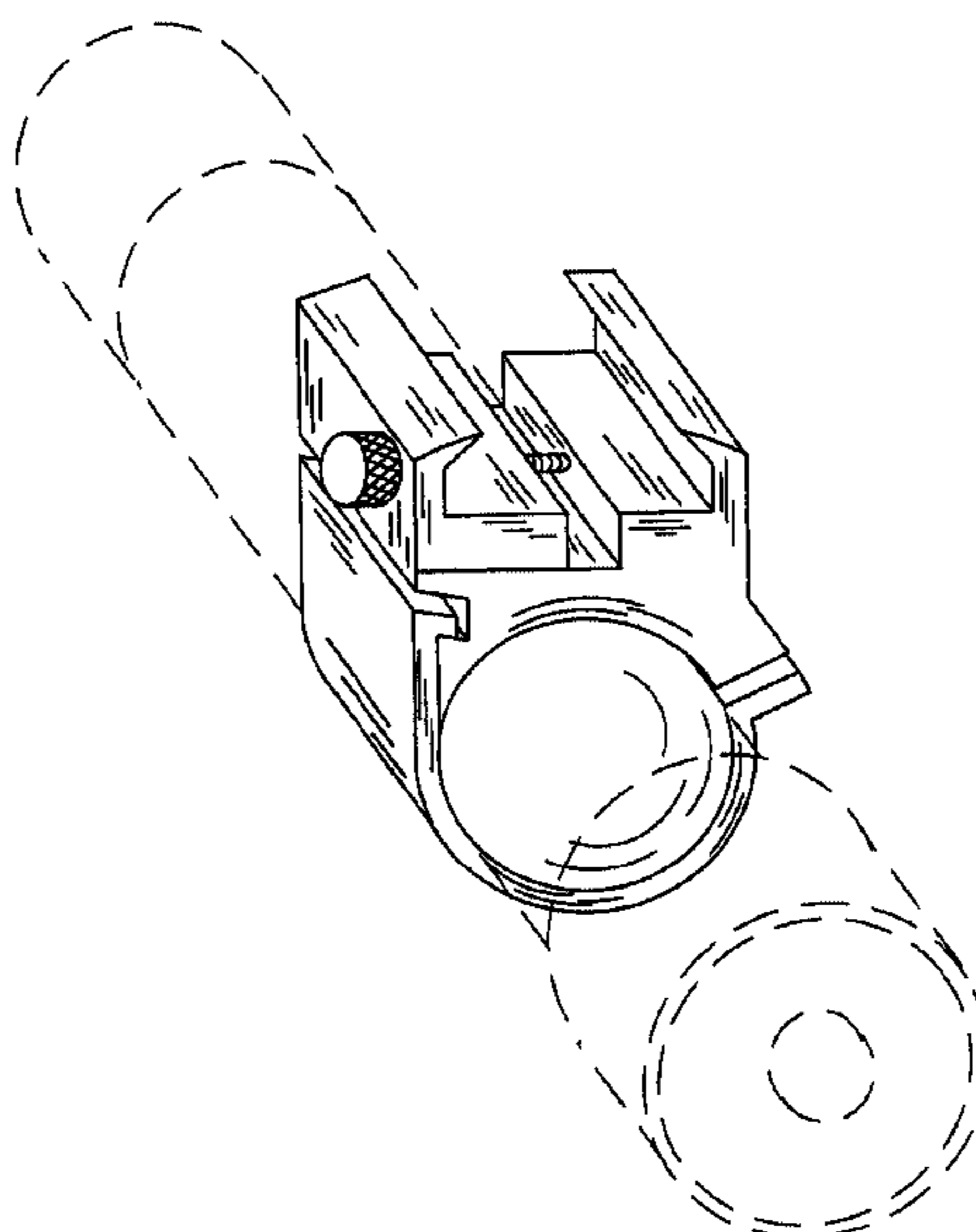
(57) **CLAIM**

The ornamental design for a quick release mount for weapons with rail type mounting systems and other applications, as shown and described.

DESCRIPTION

FIG. 1 is a front view thereof, the rear view being a mirror image;
FIG. 2 is a left view thereof,
FIG. 3 is a right view thereof;
FIG. 4 is an exploded view thereof;
FIG. 5 is a top, front, left side perspective view thereof; and,
FIG. 6 is a top, front, left side perspective view in which a flashlight has been installed.
The Flashlight is shown in broken lines in FIG. 6 for illustrative purposes only.

1 Claim, 4 Drawing Sheets



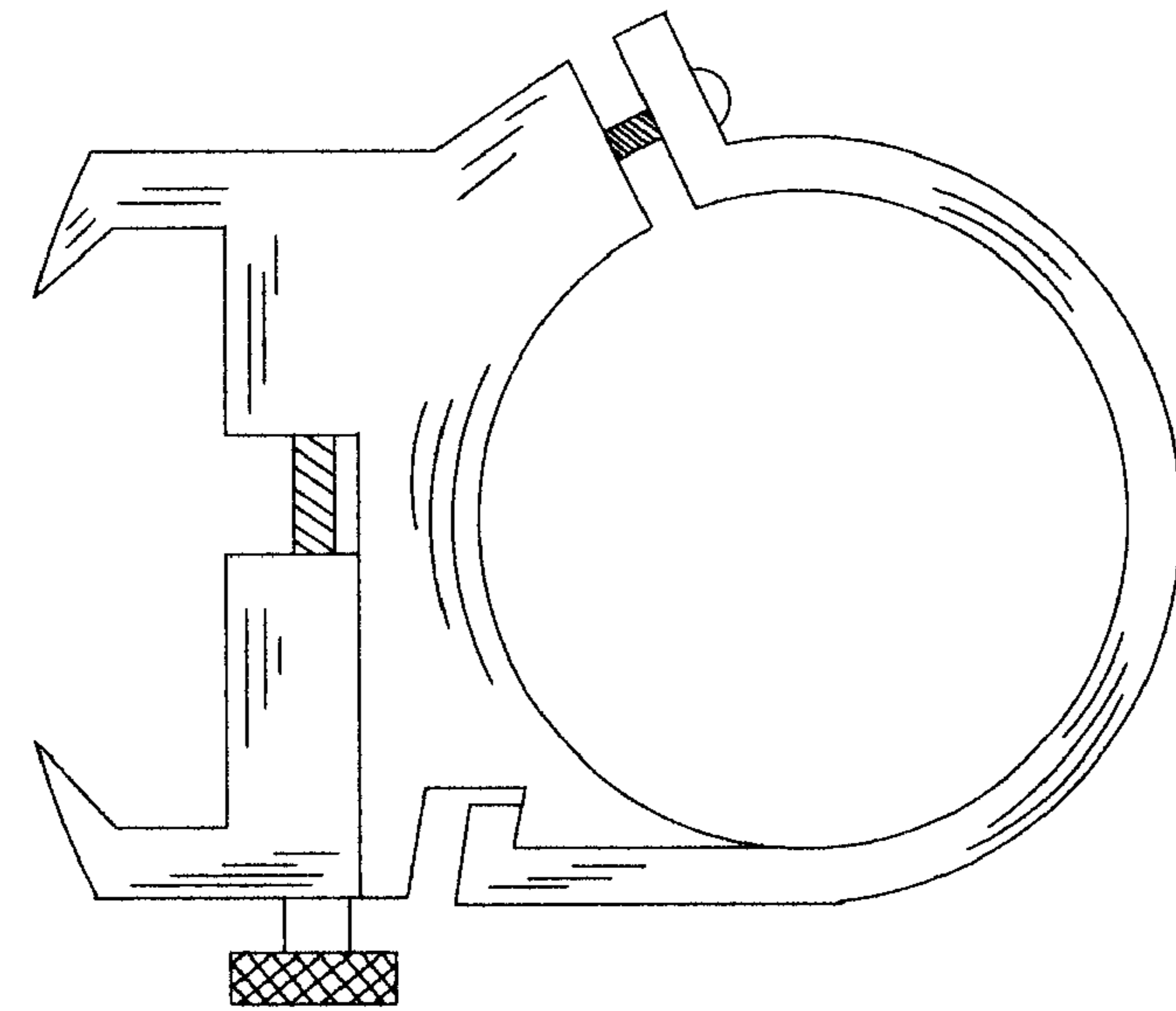


Fig 1

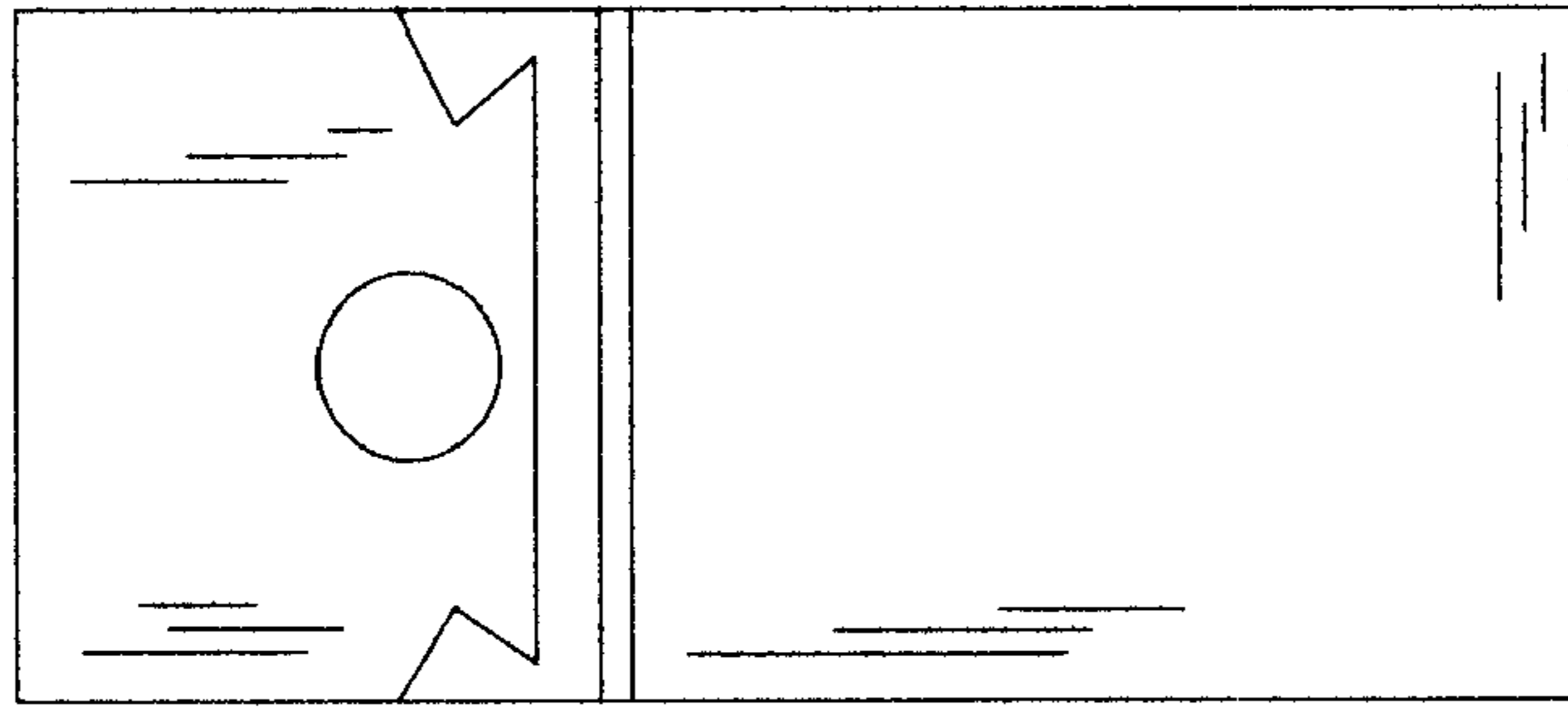


Fig 2

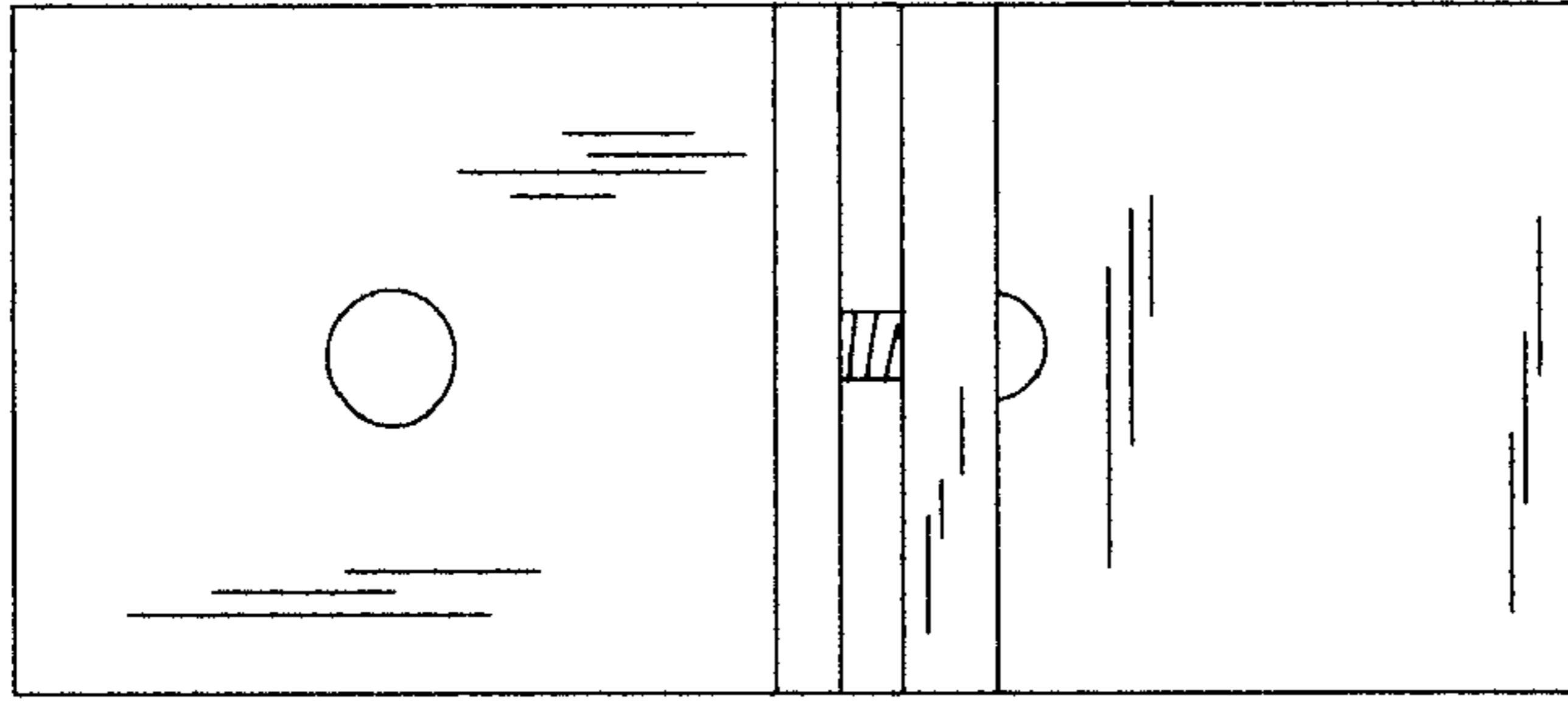


Fig 3

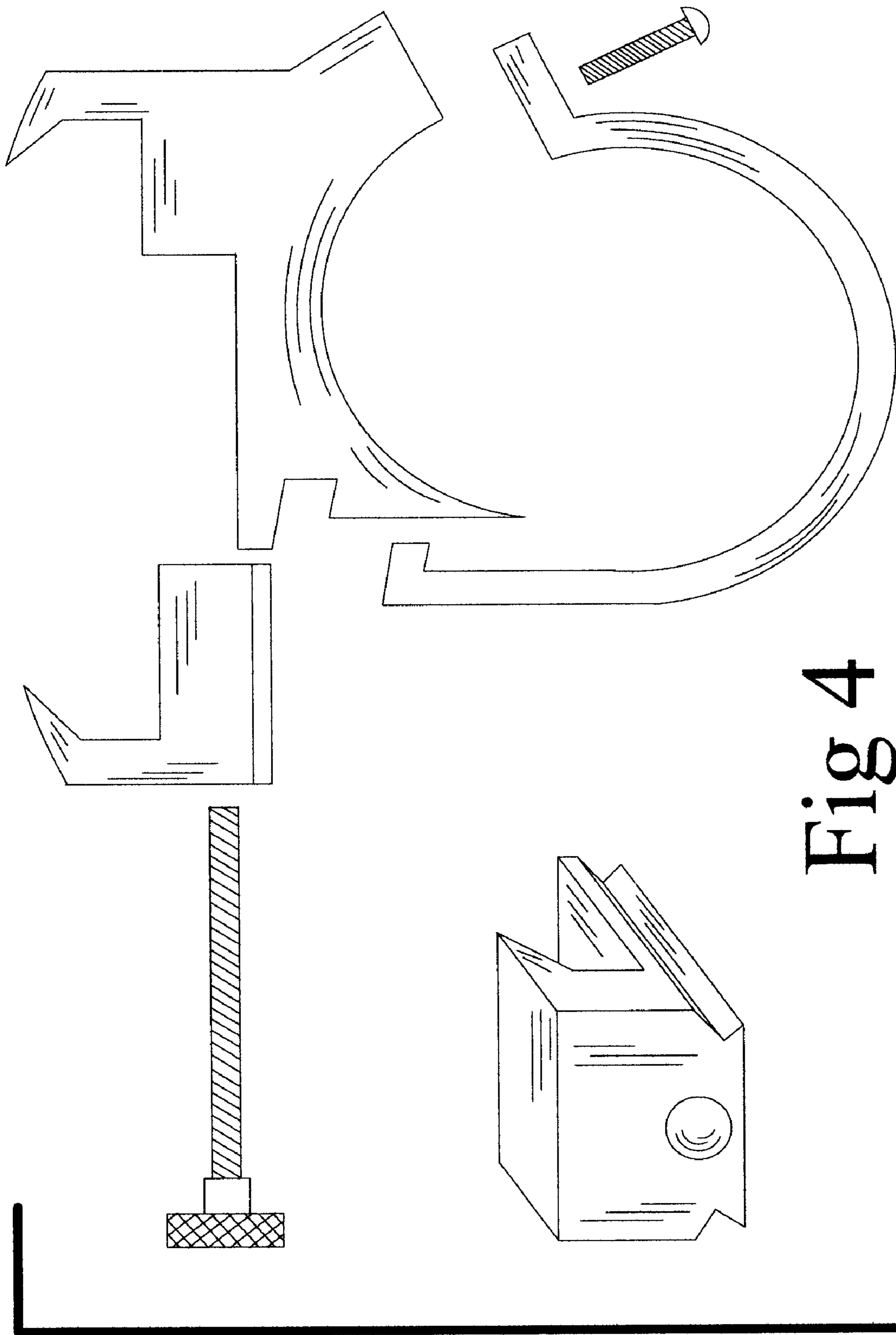


Fig 4

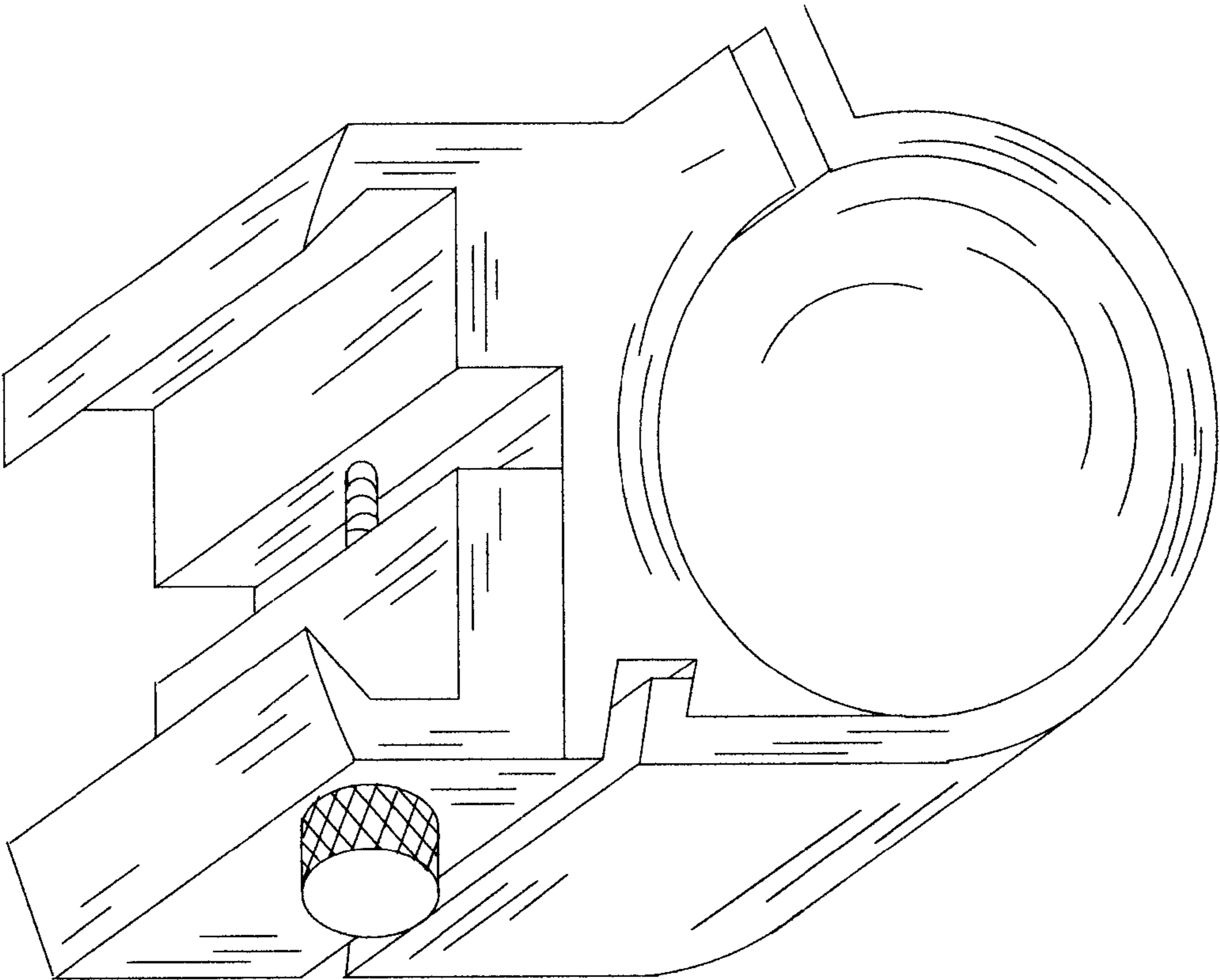


Fig 5

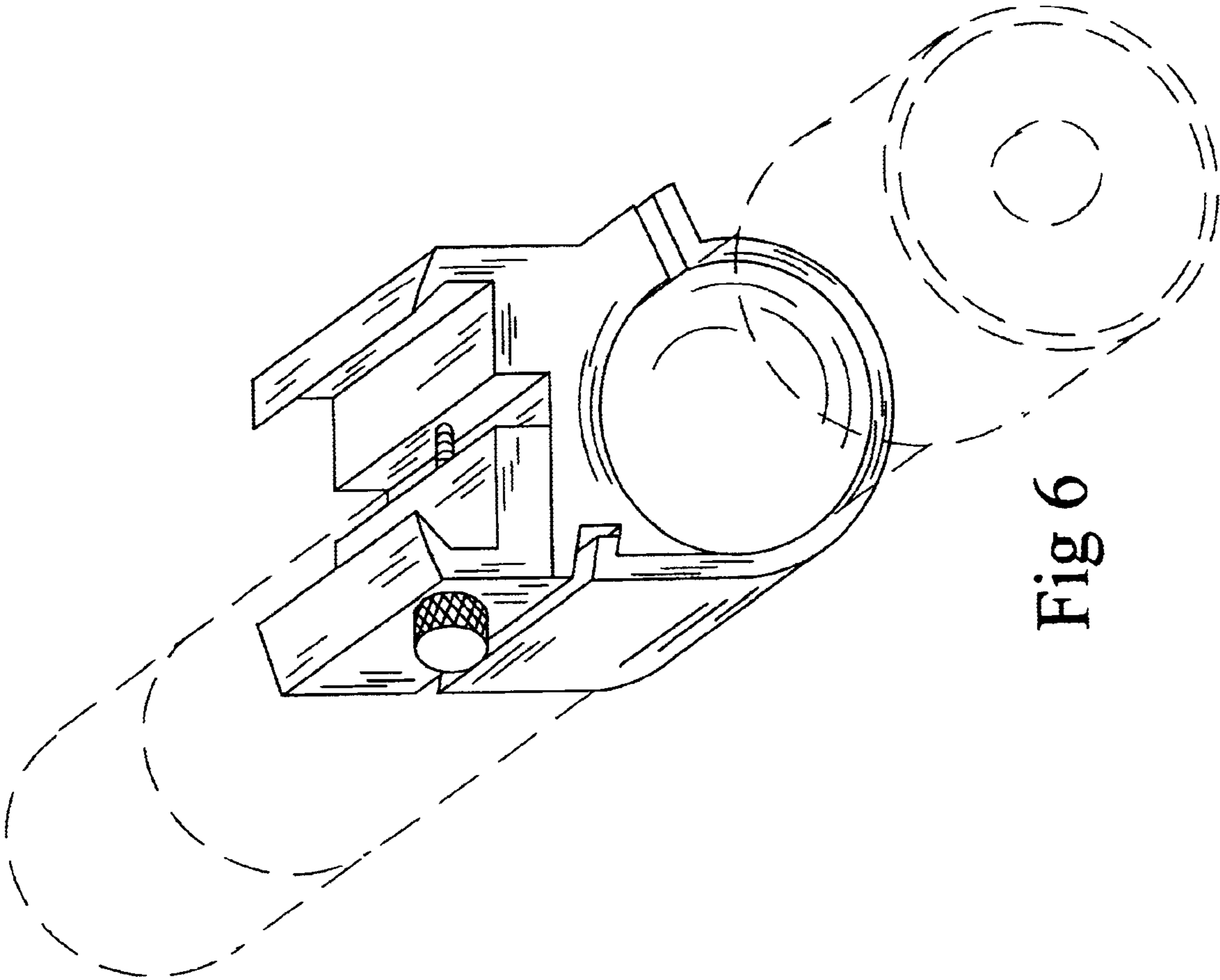


Fig 6