



US00D505175S

(12) **United States Design Patent**
Wehner

(10) **Patent No.:** **US D505,175 S**
(45) **Date of Patent:** **** May 17, 2005**

(54) **COLLAPSIBLE ENCLOSURE**

5,628,338 A * 5/1997 Stumbo 135/147

(76) **Inventor:** **Scott Wehner**, 4407 W. Stanley Rd.,
Mt. Morris, MI (US) 48458

(**) **Term:** **14 Years**

(21) **Appl. No.:** **29/199,607**

(22) **Filed:** **Feb. 17, 2004**

(51) **LOC (7) Cl.** **21-04**

(52) **U.S. Cl.** **D21/834; D21/838**

(58) **Field of Search** D21/834-840;
D25/16, 19, 26, 13, 32; 135/97, 121, 123-126,
160, 128, 135, 136, 143, 147, 156, 115,
900-902; 446/487, 478

(56) **References Cited**

U.S. PATENT DOCUMENTS

| | | | | | | |
|-----------|---|---|---------|---------------|-------|---------|
| 2,167,219 | A | * | 7/1939 | Sankey | | 135/117 |
| 2,677,384 | A | * | 5/1954 | Luisada | | 135/124 |
| 3,810,482 | A | | 5/1974 | Beavers | | |
| 3,941,140 | A | | 3/1976 | Beavers | | |
| 4,026,312 | A | | 5/1977 | Beavers | | |
| 4,941,499 | A | | 7/1990 | Pelsue et al. | | |
| 4,998,552 | A | | 3/1991 | Niksic et al. | | |
| D325,239 | S | * | 4/1992 | Norman | | D21/834 |
| 5,271,423 | A | * | 12/1993 | Eychaner | | 135/901 |

OTHER PUBLICATIONS

Ameristep Quality Hunting, 2002.
Ameristep Quality Hunting—A Step Above, 2003 Product
Catalog.

* cited by examiner

Primary Examiner—Raphael Barkai
(74) *Attorney, Agent, or Firm*—Young & Basile, P.C.

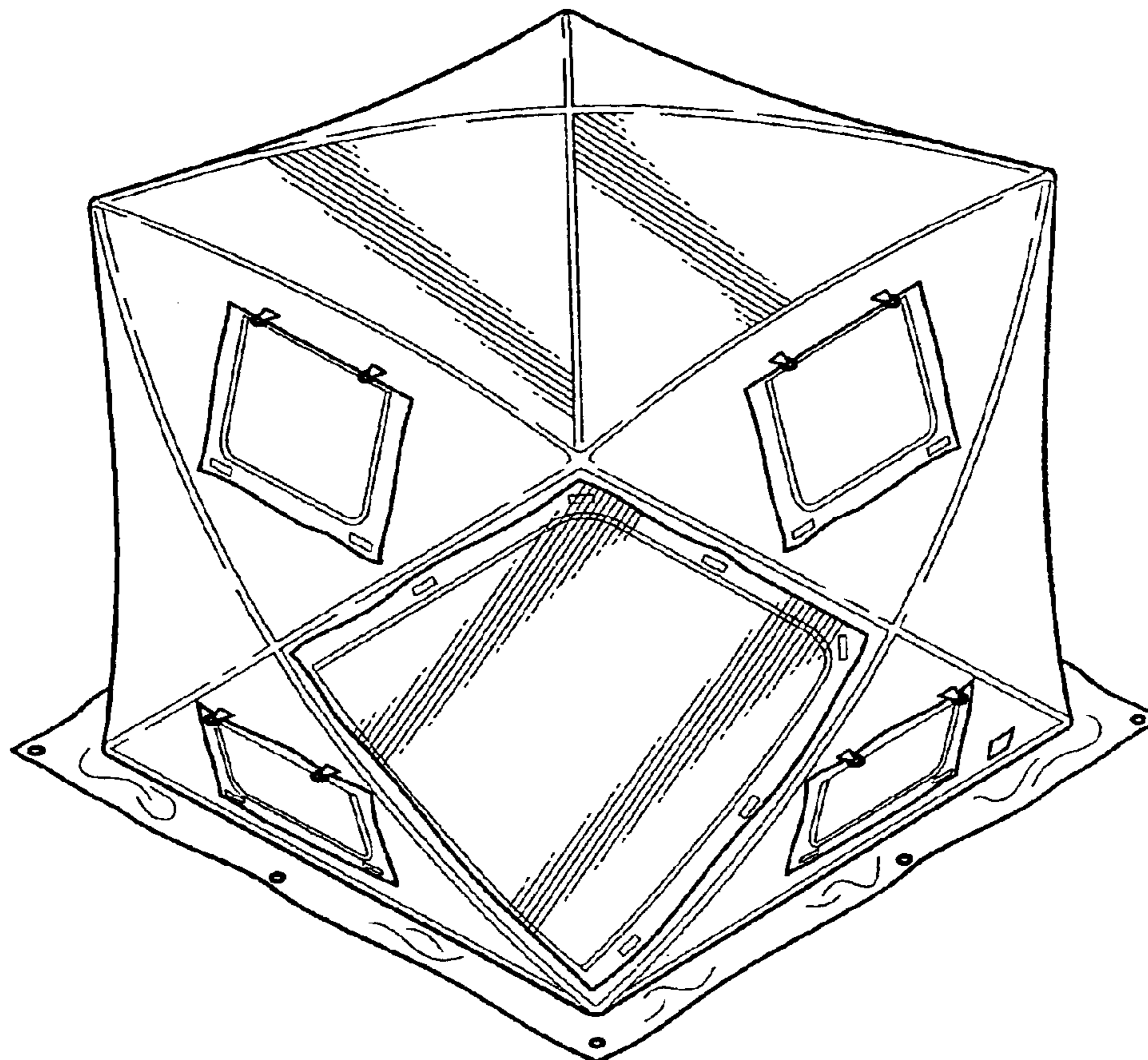
(57) **CLAIM**

The ornamental design for a collapsible enclosure, as shown
in the attached drawings.

DESCRIPTION

FIG. 1 is a perspective view of the collapsible enclosure
showing my new design;
FIG. 2 is a right side view of the collapsible enclosure of
FIG. 1;
FIG. 3 is a top view of the collapsible enclosure of FIG. 1;
FIG. 4 is a left side view of the collapsible enclosure of FIG.
1; and,
FIG. 5 is a bottom view of the collapsible enclosure of FIG.
1.

1 Claim, 3 Drawing Sheets



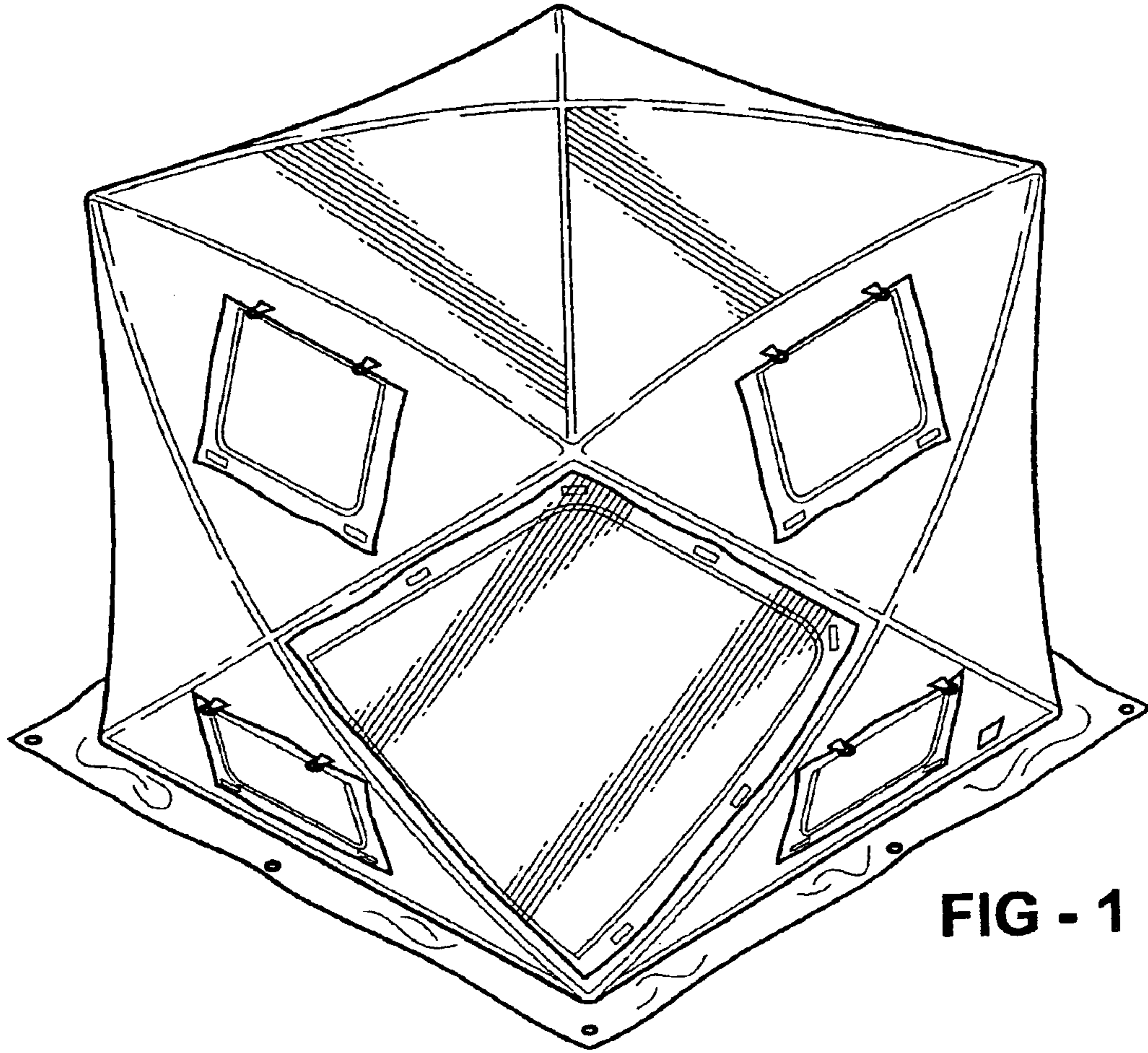


FIG - 1

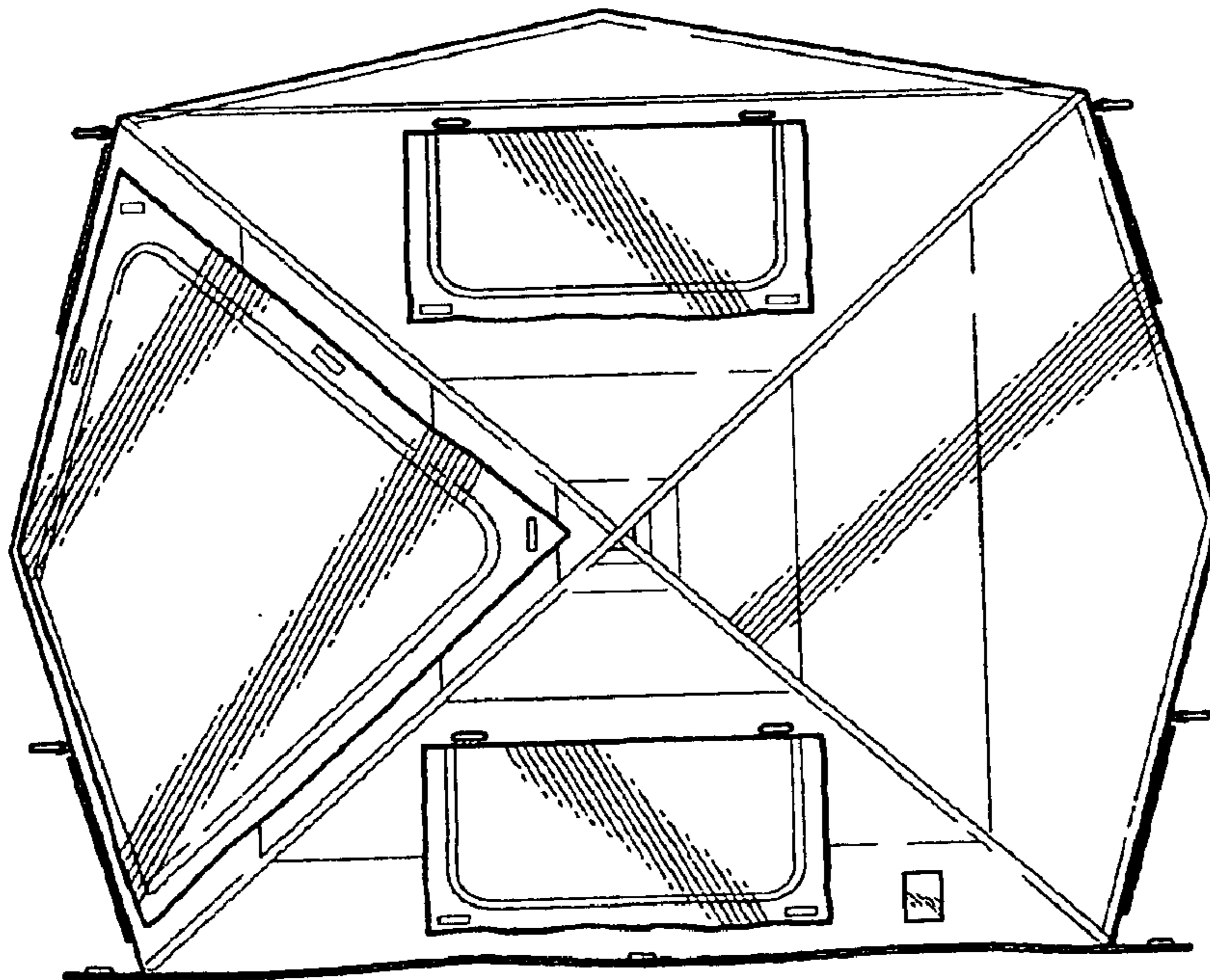


FIG - 2

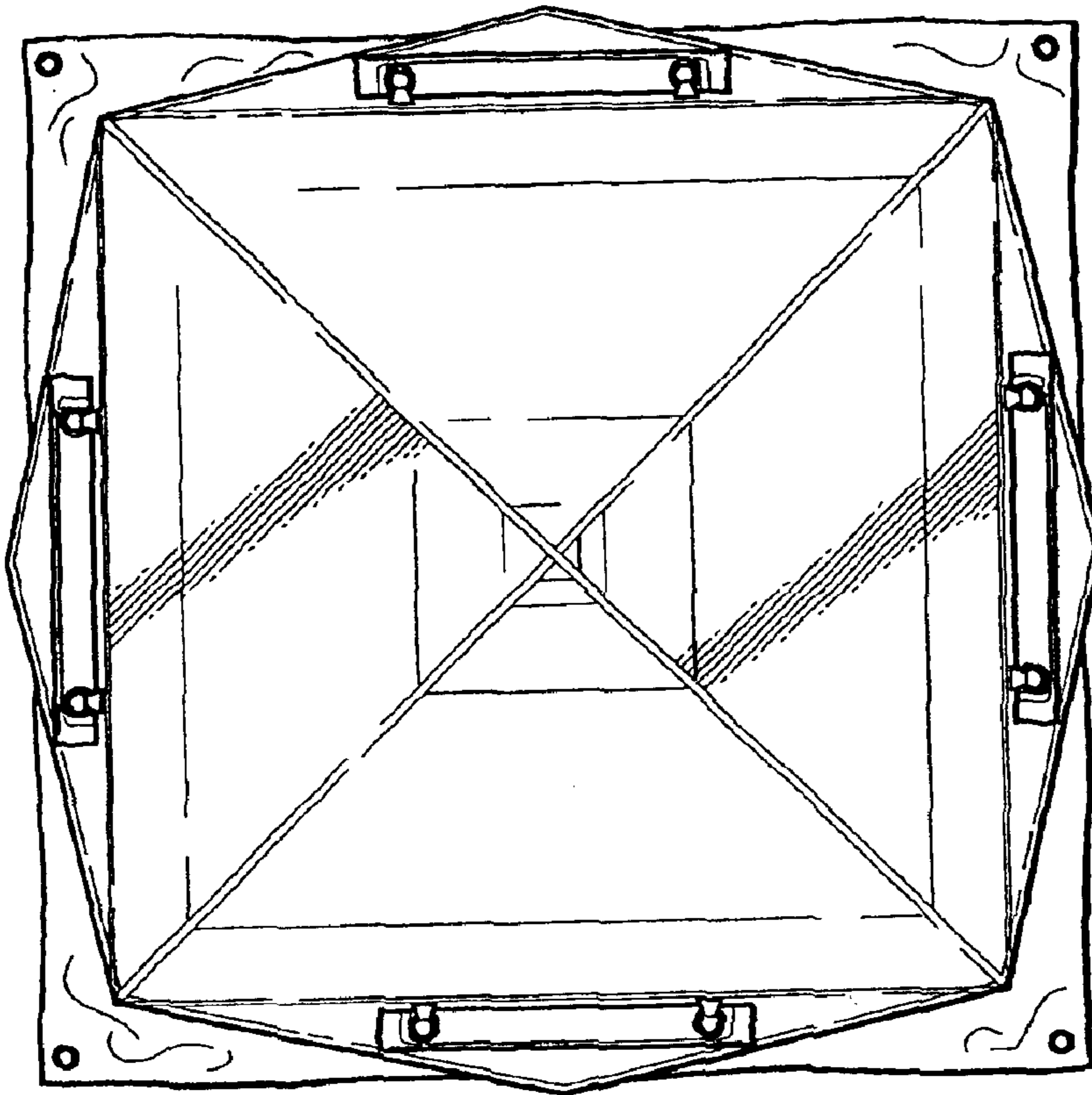


FIG - 3

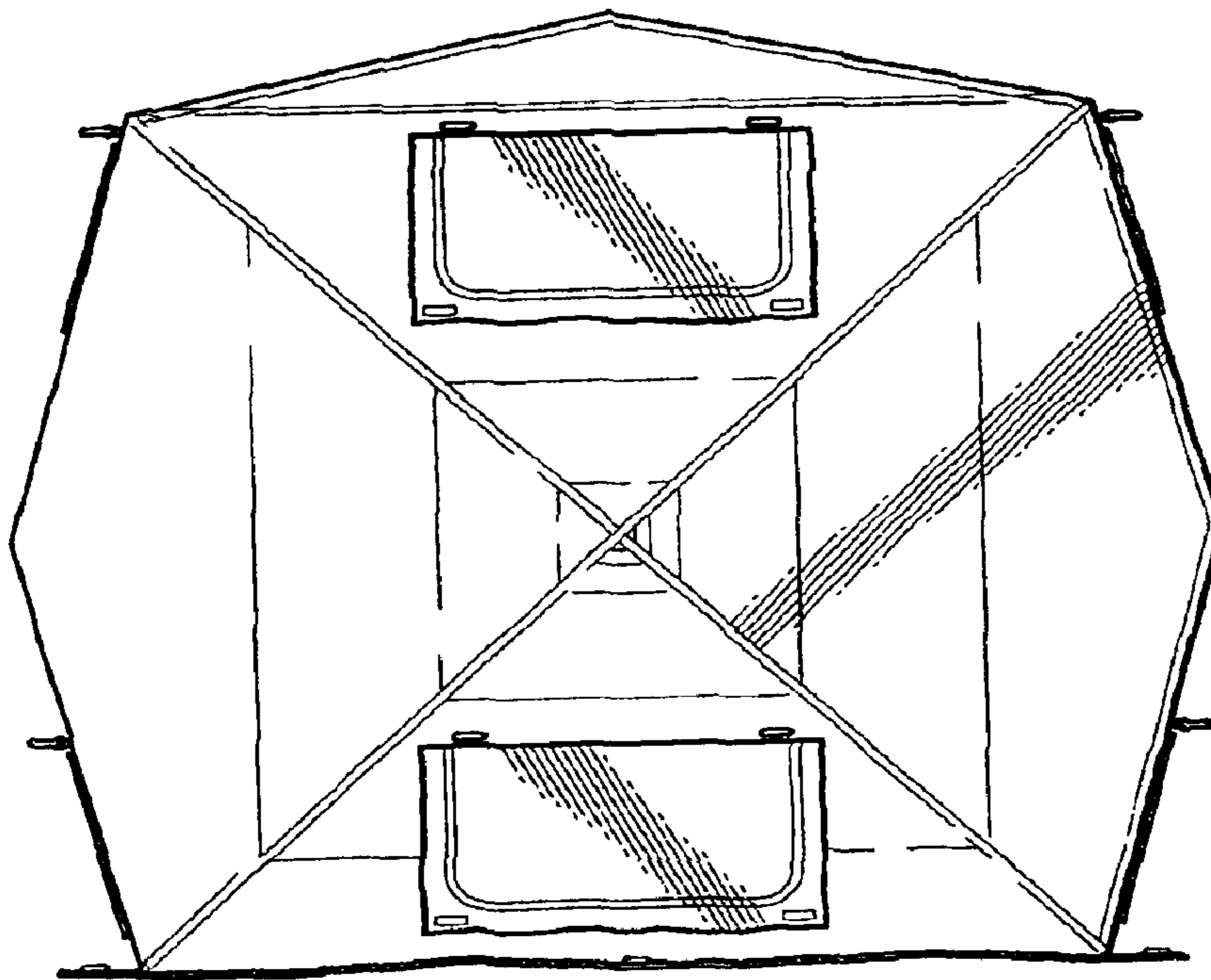


FIG - 4

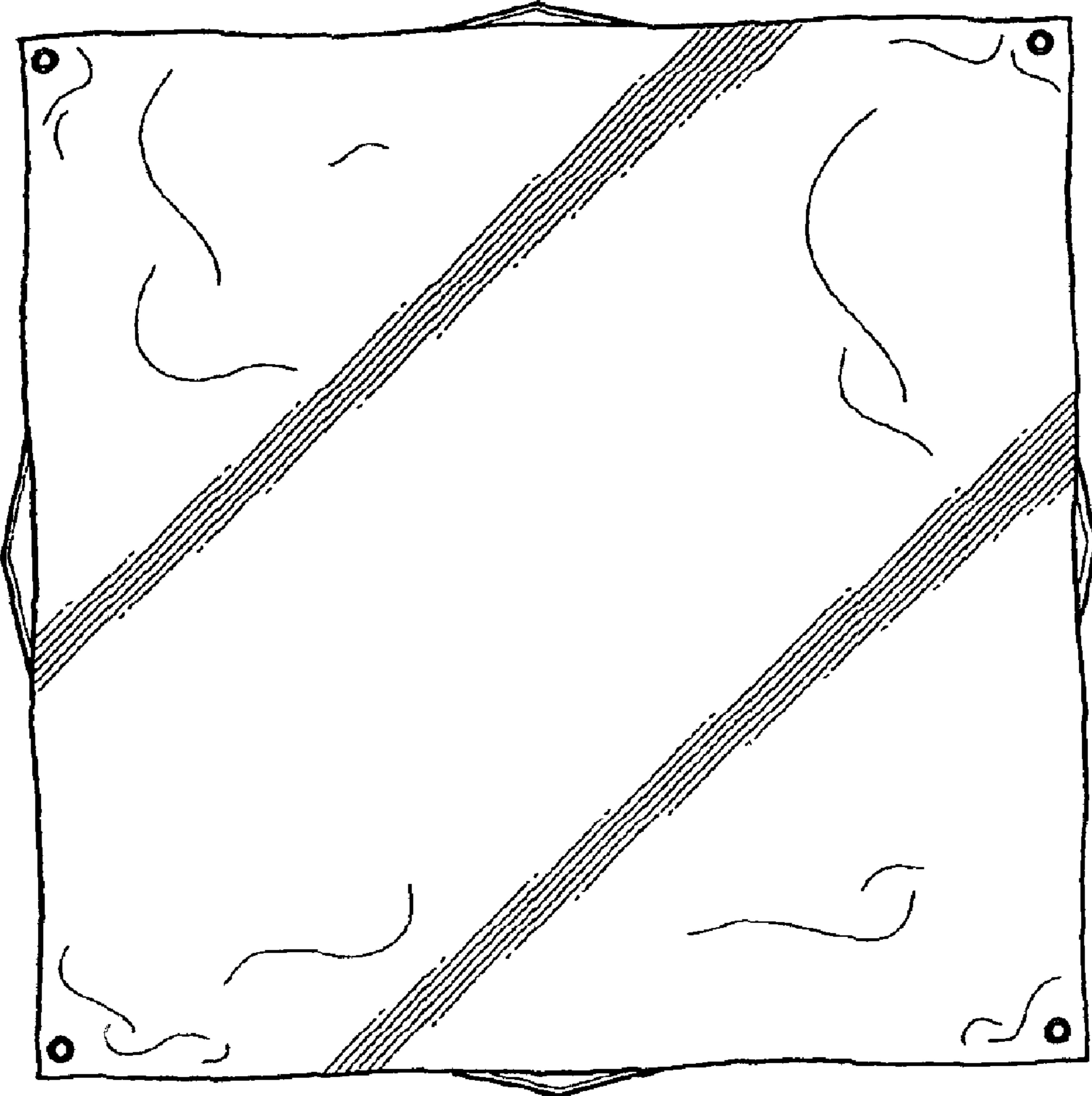


FIG - 5