

US00D505173S

(12) **United States Design Patent**
Foley

(10) **Patent No.:** **US D505,173 S**
(45) **Date of Patent:** **** May 17, 2005**

(54) **BILLIARD TABLE**
(75) **Inventor:** **Dennis J. Foley**, Holland, MI (US)
(73) **Assignee:** **Brunswick Bowling & Billiards Corporation**, Muskegon, MI (US)
(**) **Term:** **14 Years**

D230,491 S 2/1974 Heiss
3,881,727 A * 5/1975 Olson 473/4
D259,651 S 6/1981 Kaye
D319,279 S 8/1991 Kaye
D319,484 S 8/1991 Hull et al.
5,161,797 A 11/1992 Frasca
D348,916 S 7/1994 Powers
5,341,749 A * 8/1994 Noakes 108/64
D450,103 S * 11/2001 Chevillotte D21/784

(21) **Appl. No.:** **29/191,919**
(22) **Filed:** **Oct. 16, 2003**

Related U.S. Application Data

(62) Division of application No. 29/179,592, filed on Apr. 11, 2003, now Pat. No. Des. 489,784.
(51) **LOC (7) Cl.** **06-03**
(52) **U.S. Cl.** **D21/784**
(58) **Field of Search** D21/782, 783, D21/784; D6/480, 329, 422; 473/1, 4, 7, 28, 29

(56) **References Cited**

U.S. PATENT DOCUMENTS

187,878 A 2/1877 Marsden
D43,465 S 1/1913 Maher
1,369,992 A * 3/1921 Turner 473/4
D122,580 S 9/1940 Wendt
D148,119 S 12/1947 Anderson et al.
D204,276 S 4/1966 Braun
D205,670 S * 9/1966 Reinman D6/498
D208,257 S 8/1967 Kotler
D219,390 S 12/1970 Johnson

OTHER PUBLICATIONS

Monarch Billiards, "Silverwood Contemporary Design", www.monarchbilliards.com, Publication Date Unknown, 1 page, Monarch Billiards, Crumlyne, PA.

* cited by examiner

Primary Examiner—Prabhakar Deshmukh
(74) *Attorney, Agent, or Firm*—Dykema Gossett PLLC

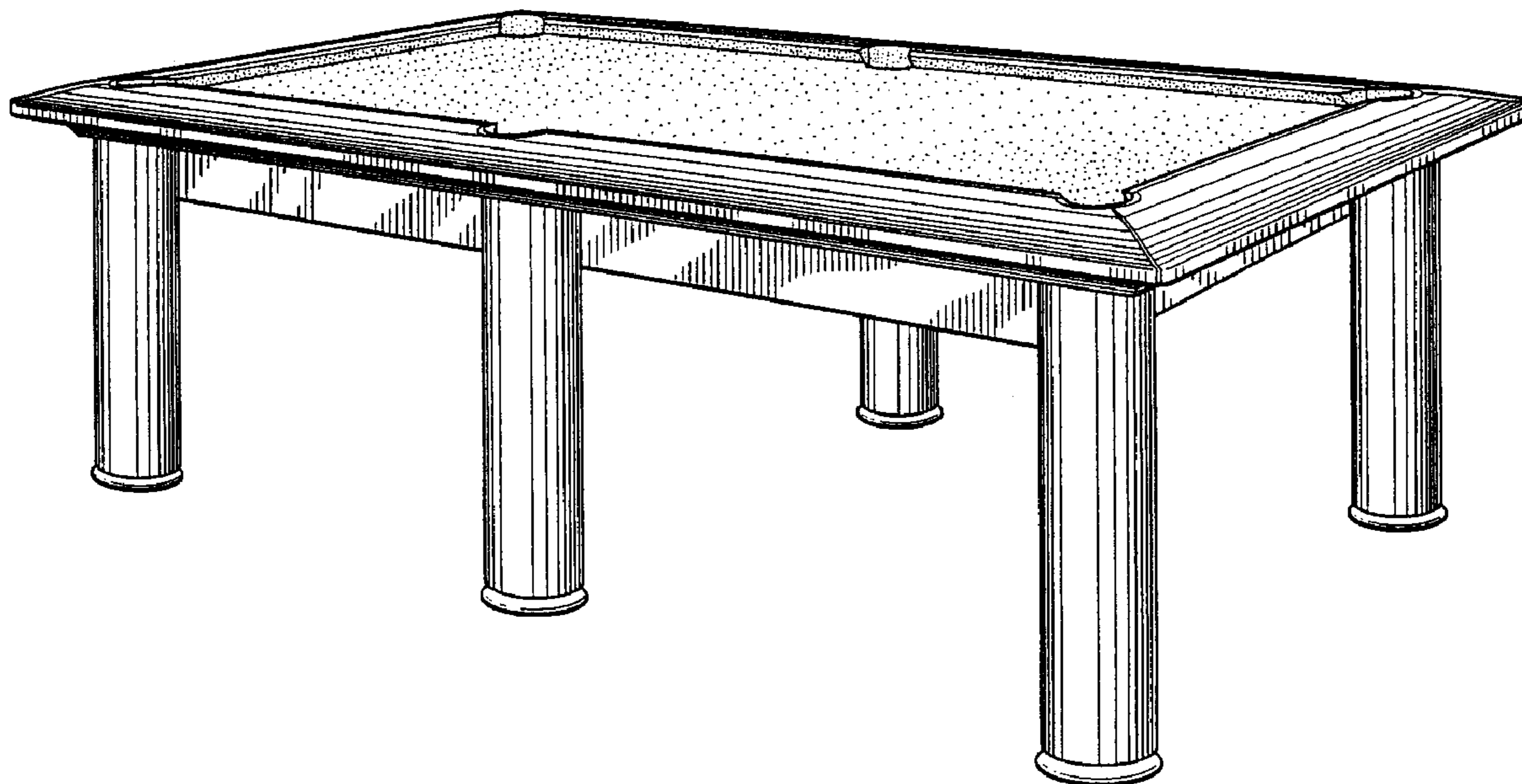
(57) **CLAIM**

The ornamental design for a billiard table, as shown and described.

DESCRIPTION

FIG. 1 is a perspective view of my new design; FIG. 2 is a right-hand side elevational view thereof, wherein the left-hand side elevational view is substantially identical; FIG. 3 is an end elevational view thereof, wherein the opposite end elevational view is substantially identical; FIG. 4 is a top plan view; and, FIG. 5 is a bottom plan view thereof.

1 Claim, 4 Drawing Sheets



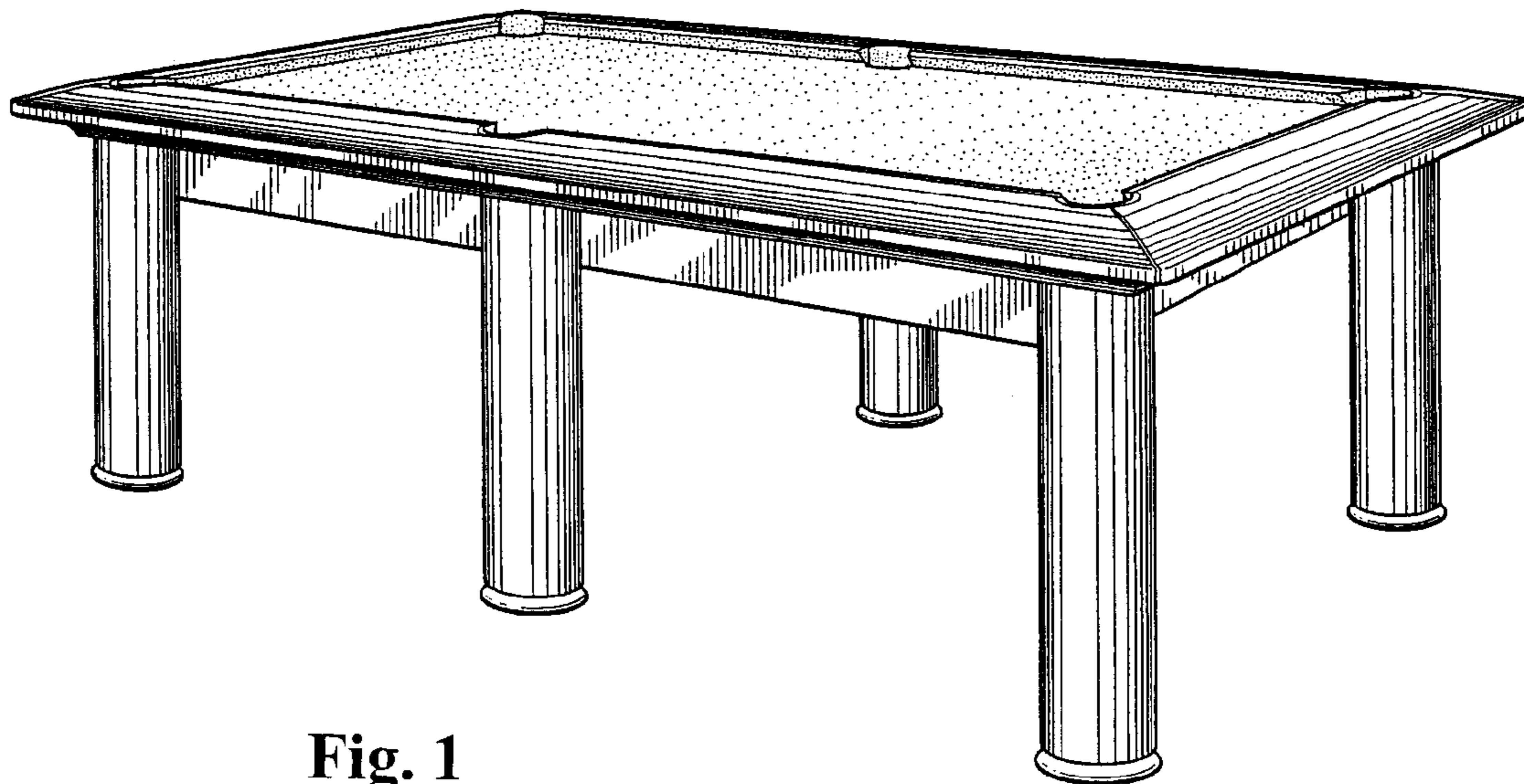


Fig. 1

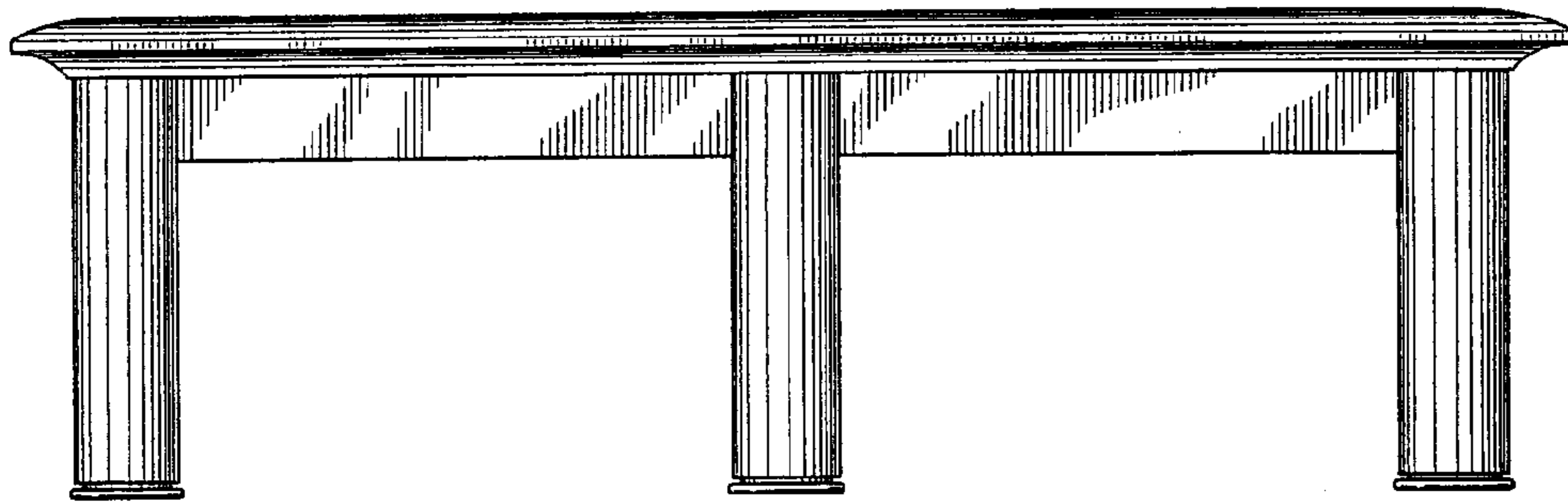


Fig. 2

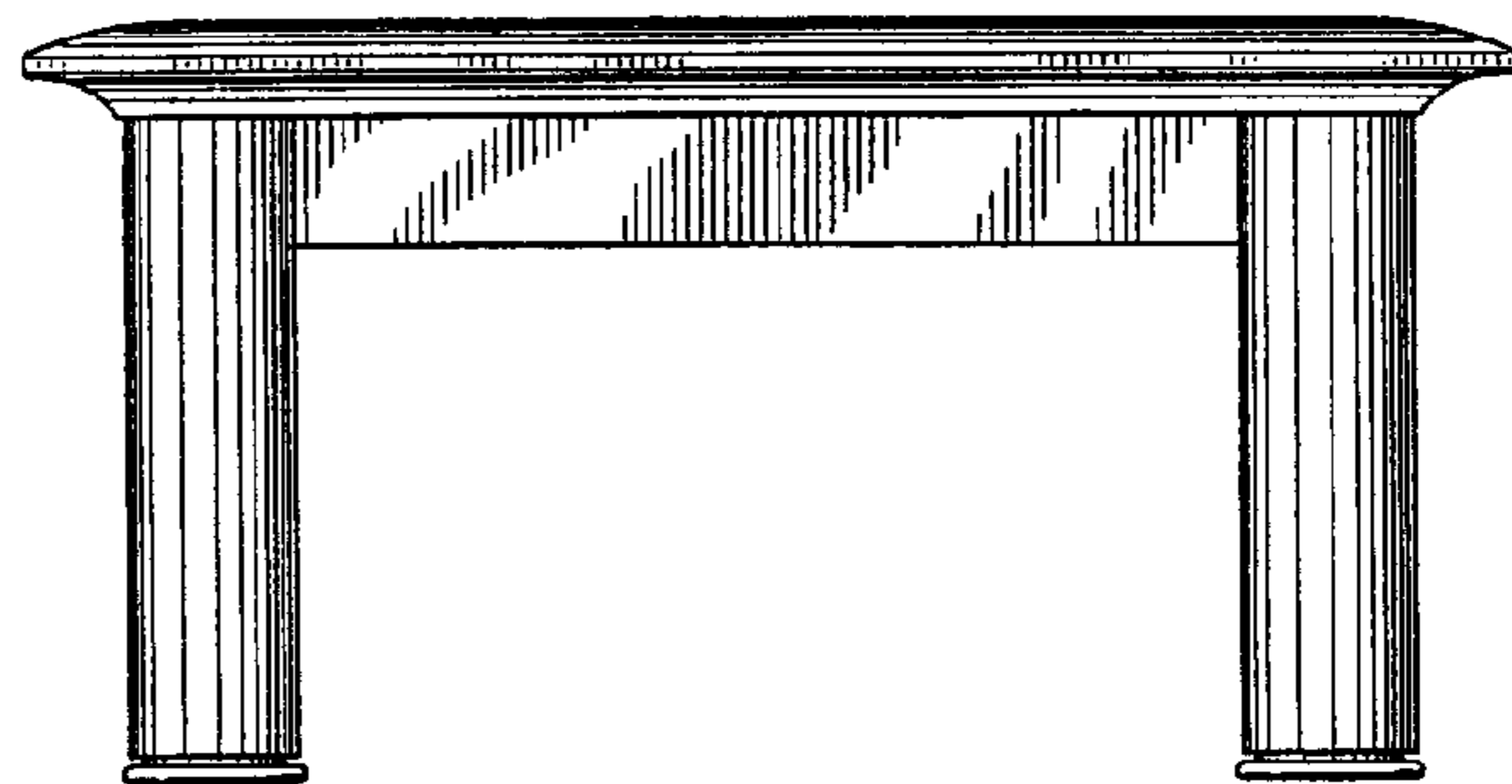


Fig. 3

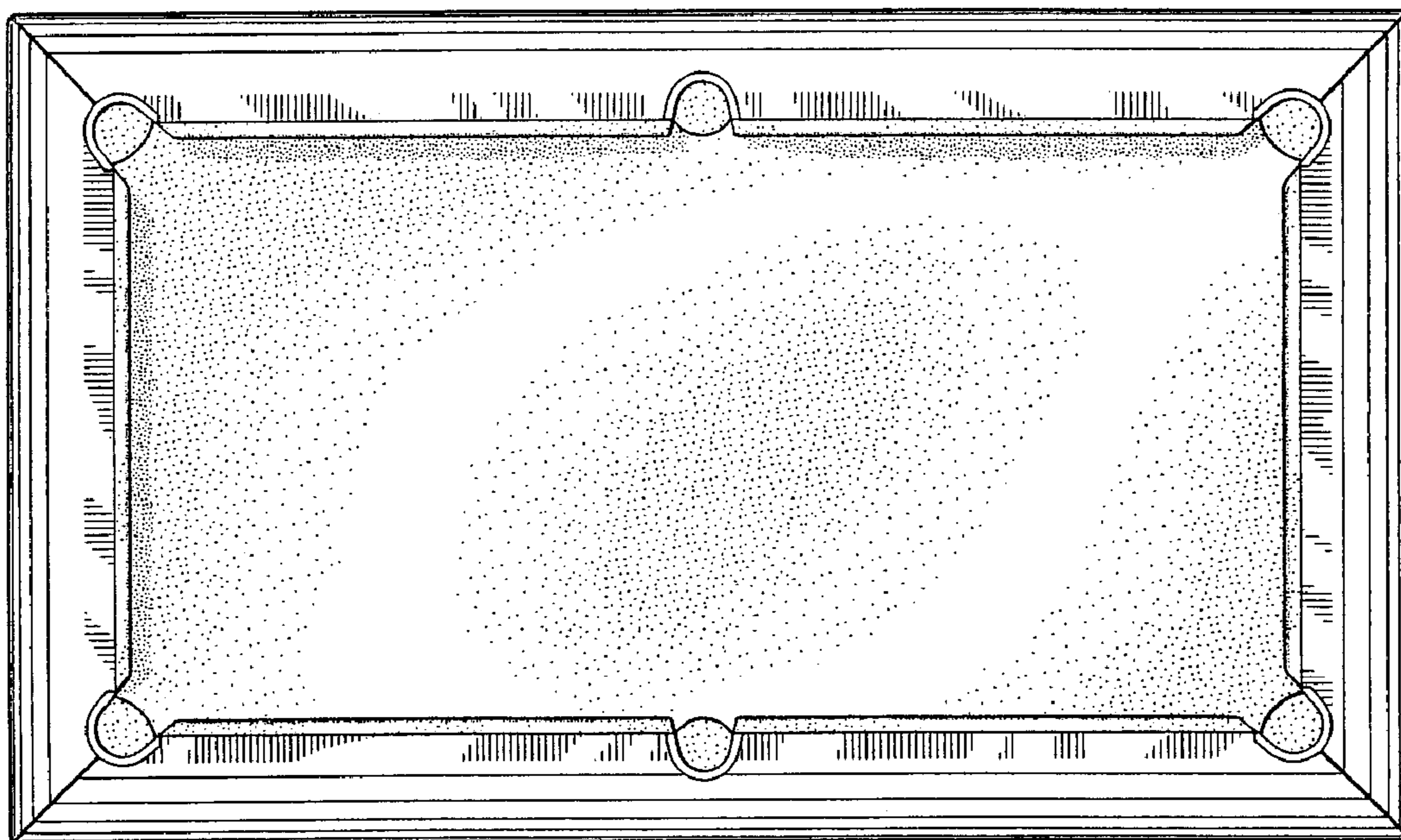


Fig. 4

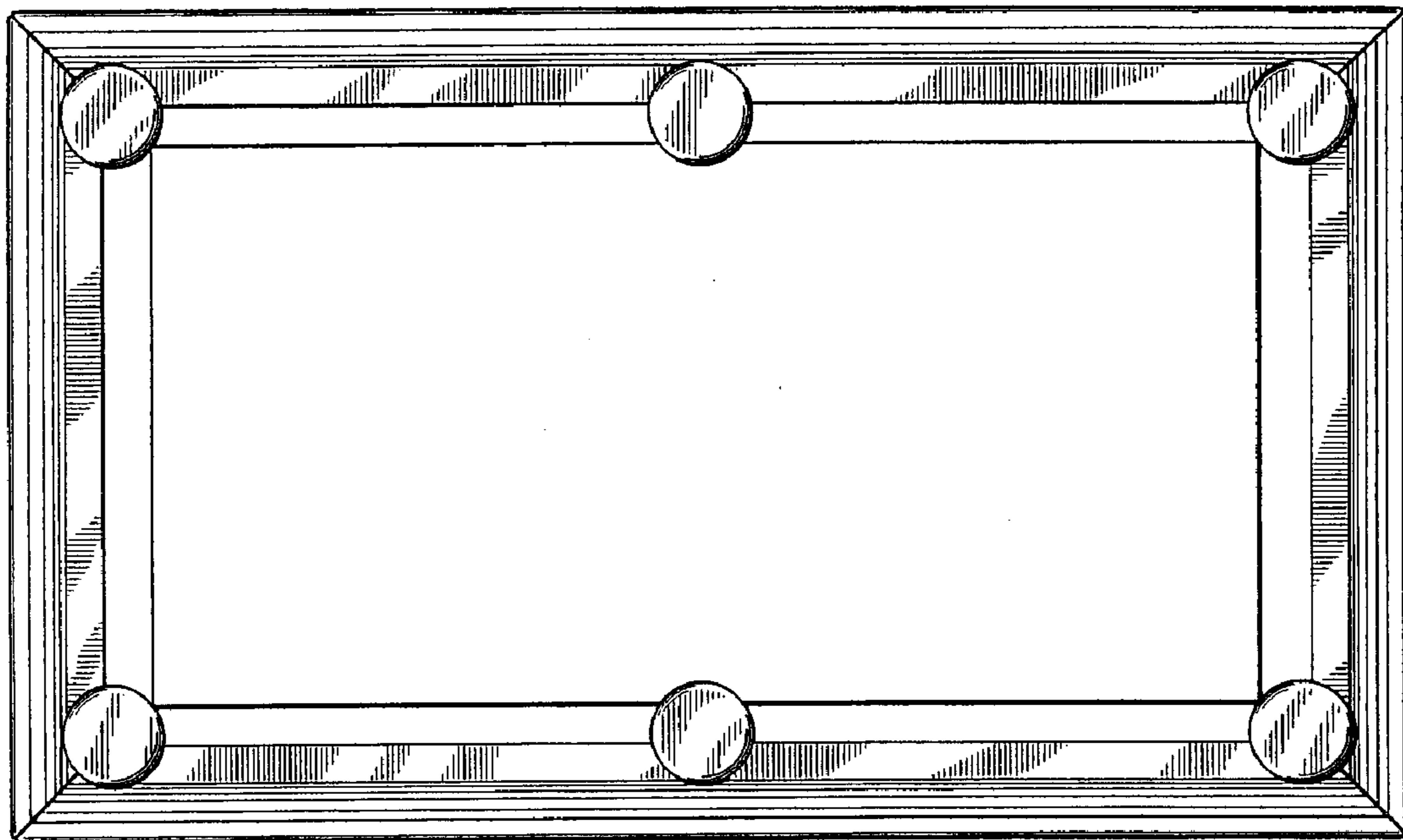


Fig. 5