

US00D505171S

(12) **United States Design Patent**  
**Schweigert et al.**

(10) **Patent No.: US D505,171 S**  
(45) **Date of Patent: \*\* May 17, 2005**

(54) **GOLF IRON HEAD**

(75) Inventors: **Bradley D. Schweigert**, Glendale, AZ (US); **Michael R. Nicolette**, Scottsdale, AZ (US); **John A. Solheim**, Phoenix, AZ (US)

(73) Assignee: **Karsten Manufacturing Corporation**, Phoenix, AZ (US)

(\*\*) Term: **14 Years**

(21) Appl. No.: **29/212,944**

(22) Filed: **Sep. 9, 2004**

**Related U.S. Application Data**

(62) Division of application No. 29/183,512, filed on Jun. 11, 2003.

(51) **LOC (7) Cl.** ..... **21-02**

(52) **U.S. Cl.** ..... **D21/749**

(58) **Field of Search** ..... D21/747-751;  
473/324-331, 350

(56) **References Cited**

**U.S. PATENT DOCUMENTS**

D228,355 S	9/1973	Gerald
D240,841 S	8/1976	Solheim
D256,264 S	8/1980	Solheim
D332,812 S	1/1993	Solheim
D357,293 S	4/1995	Solheim
D379,393 S	5/1997	Kubica
D422,043 S	3/2000	Kubica

D429,299 S	8/2000	Kubica
D442,659 S	5/2001	Kubica
D443,008 S	5/2001	Kubica et al.
D453,949 S	2/2002	Helmstetter et al.
D473,605 S	4/2003	Peterson
D480,440 S	10/2003	Rollinson et al.
D481,775 S	11/2003	Best

*Primary Examiner*—Mitchell Siegel

(74) *Attorney, Agent, or Firm*—Darrell F. Marquette

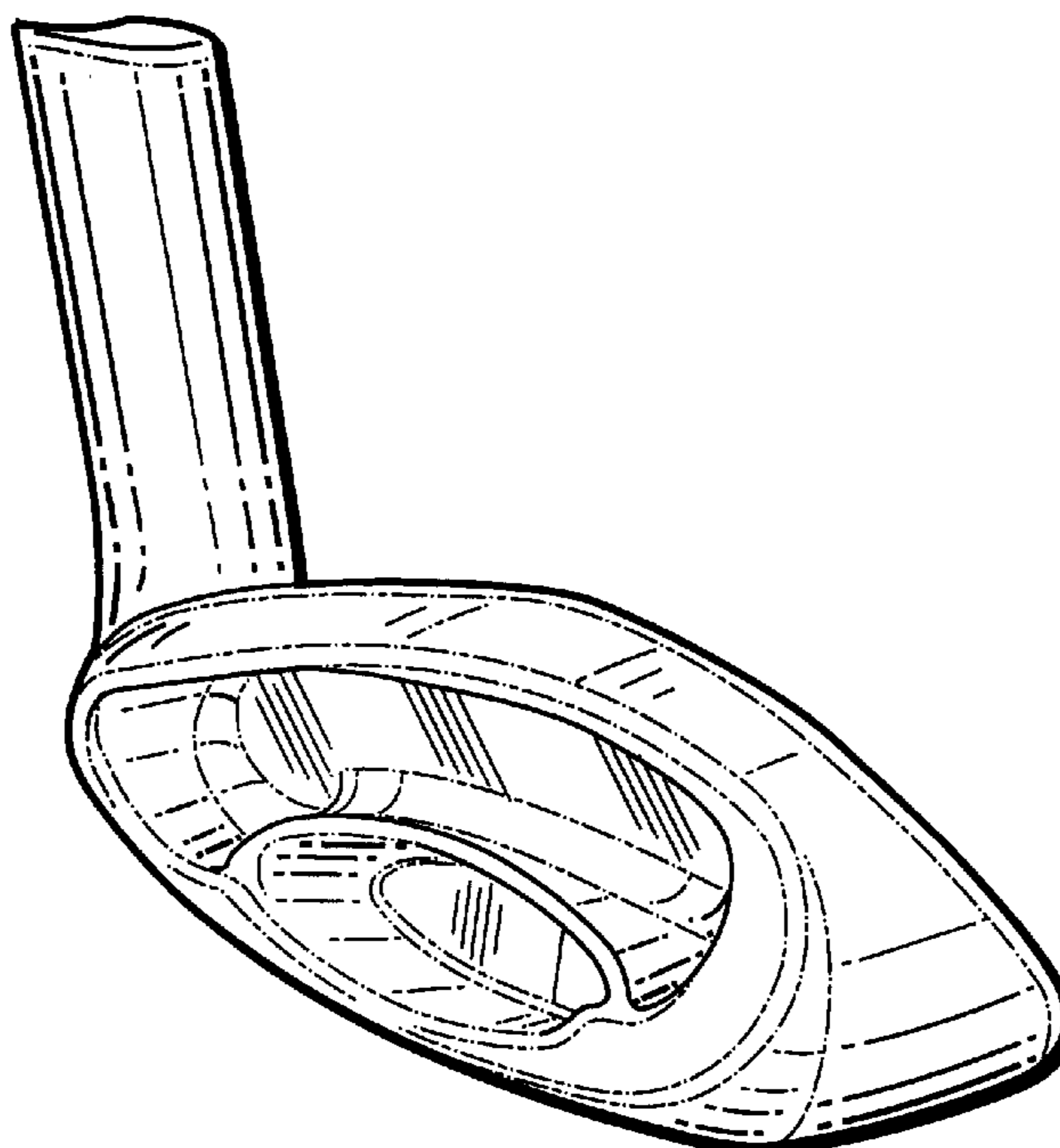
(57) **CLAIM**

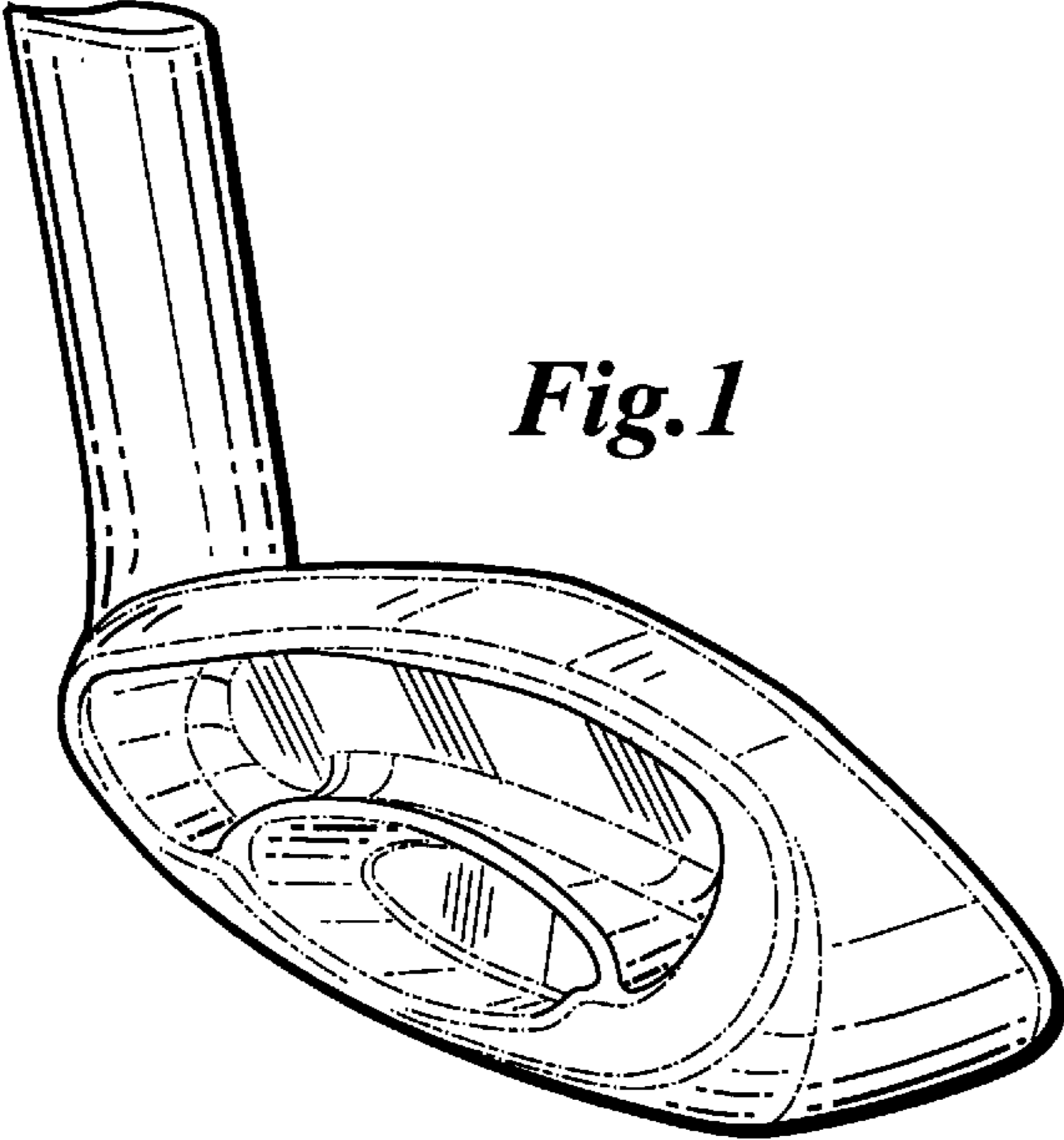
The ornamental design for a golf iron head, as shown and described.

**DESCRIPTION**

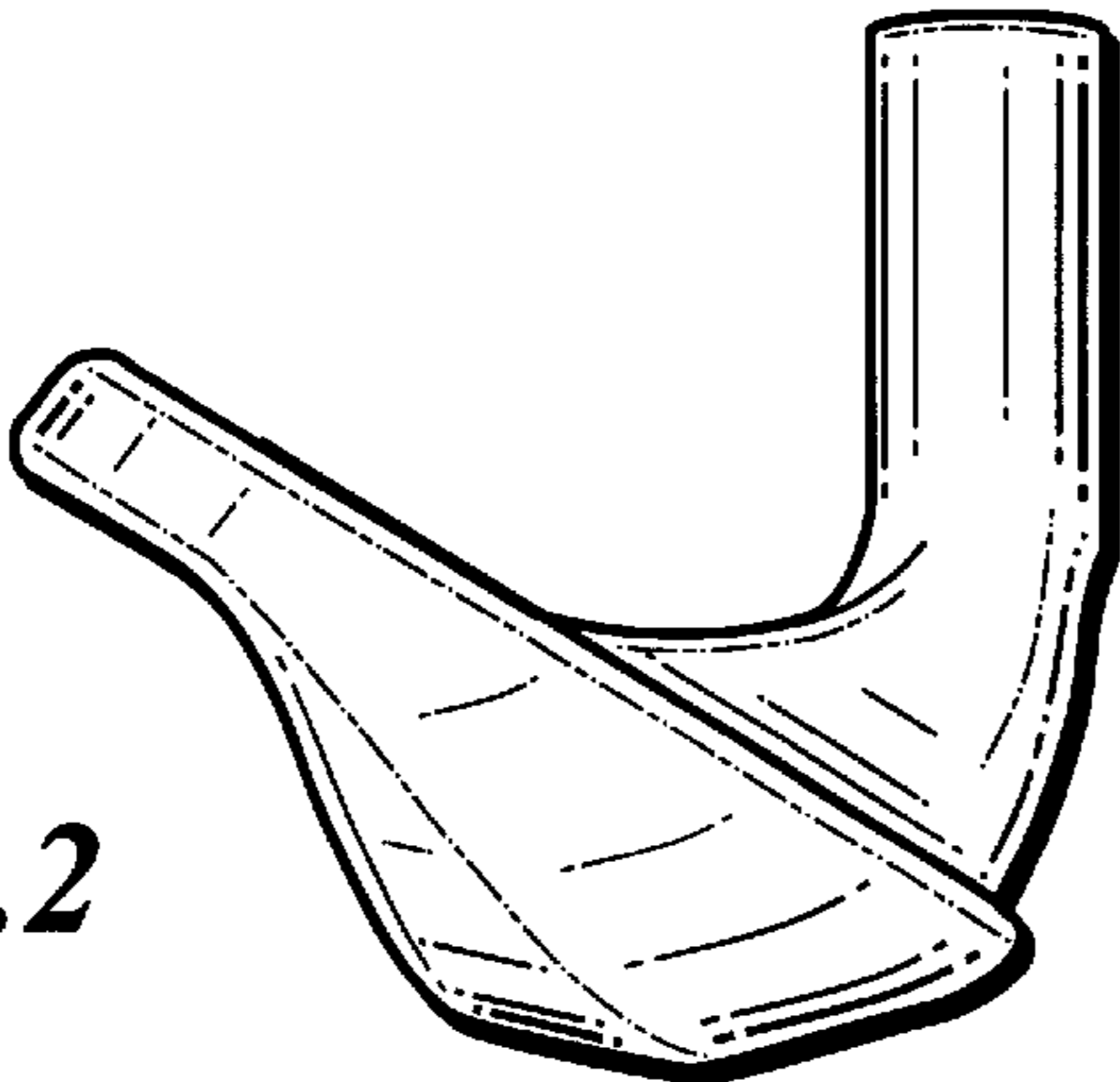
FIG. 1 is a perspective view of a golf iron head with a high loft angle such as a wedge showing our new design; FIG. 2 is a toe end view of the golf iron head of FIG. 1; FIG. 3 is a heel end view of the golf iron head of FIG. 1; FIG. 4 is a top view of the golf iron head of FIG. 1; FIG. 5 is a bottom view of the golf iron head of FIG. 1; FIG. 6 is a front elevational view of the golf iron head of FIG. 1; FIG. 7 is a rear elevational view of the golf iron head of FIG. 1; FIG. 8 is an enlarged sectional view taken on line 8—8 in FIG. 7; FIG. 9 is an enlarged sectional view taken on line 9—9 in FIG. 7; and, FIG. 10 is an enlarged sectional view taken on line 10—10 in FIG. 7.

**1 Claim, 3 Drawing Sheets**

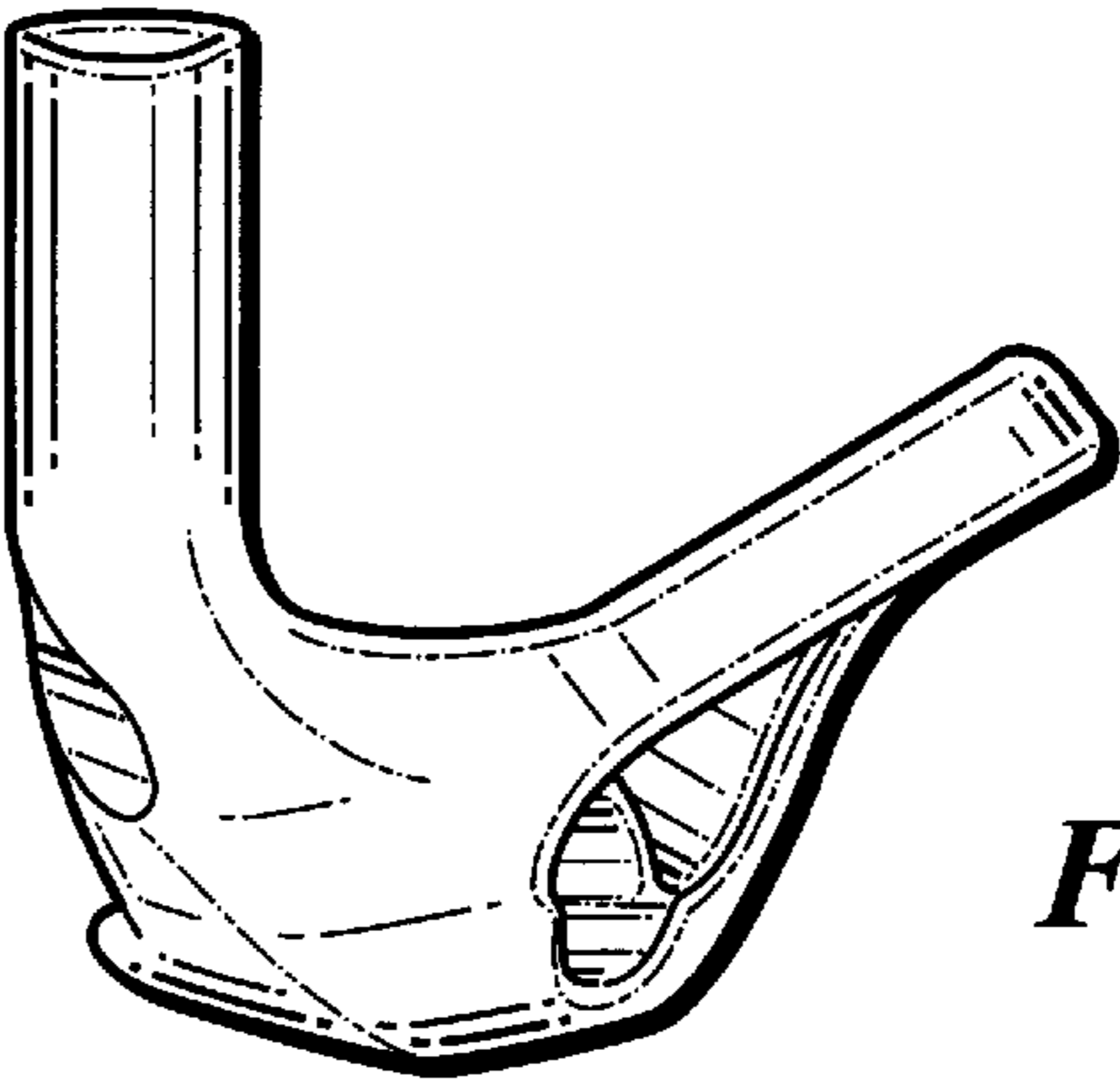




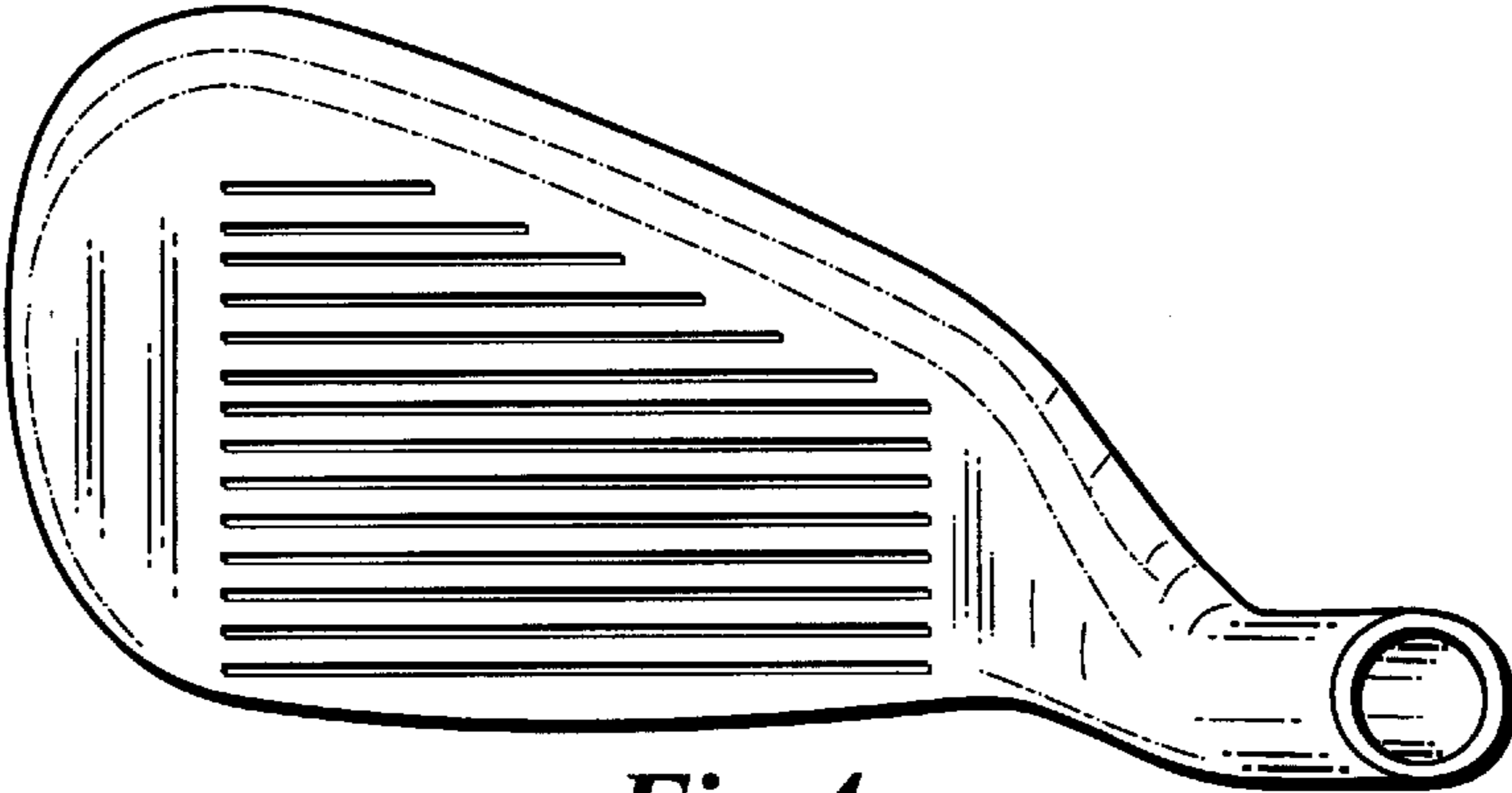
*Fig.1*



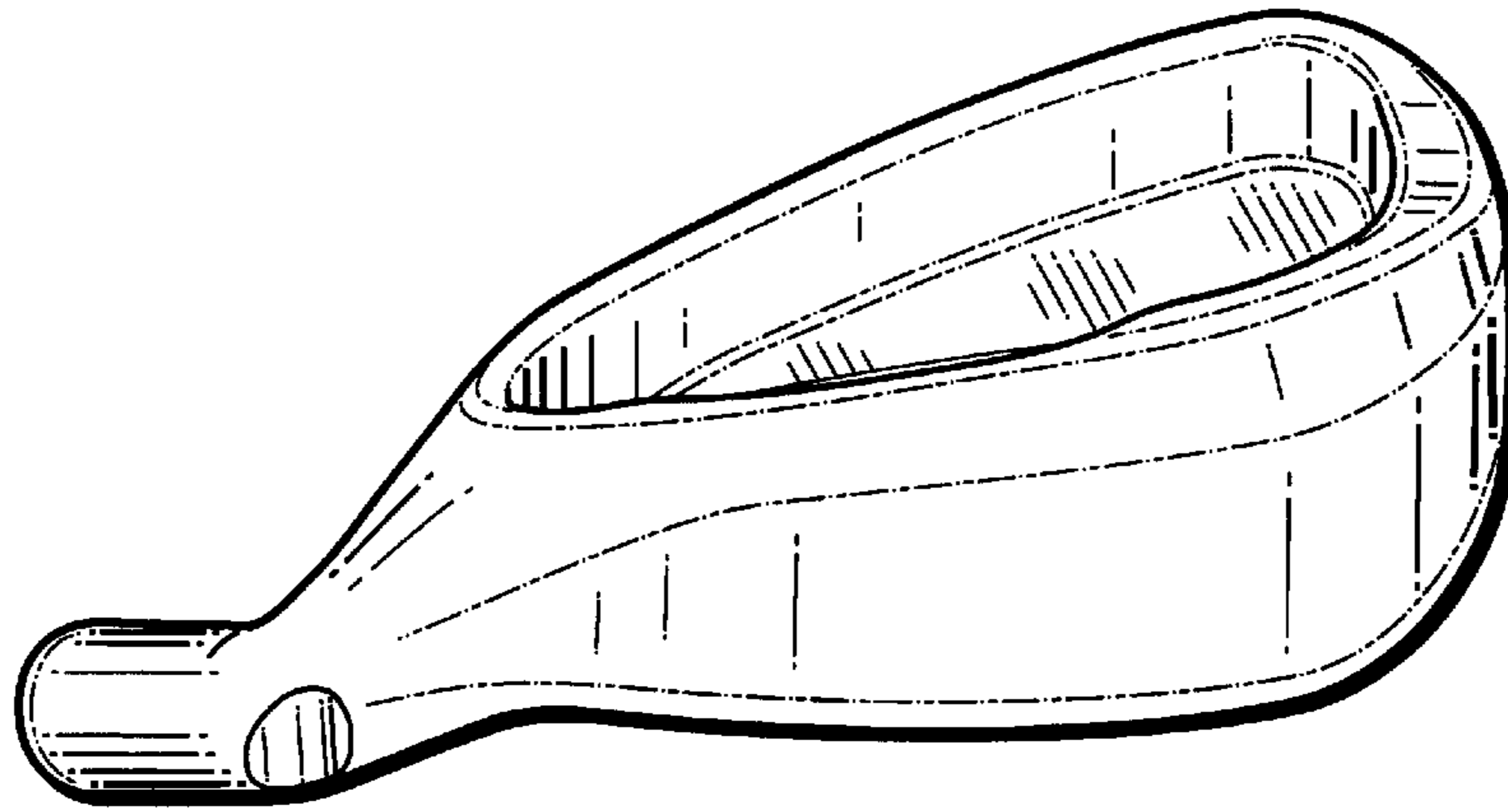
*Fig.2*



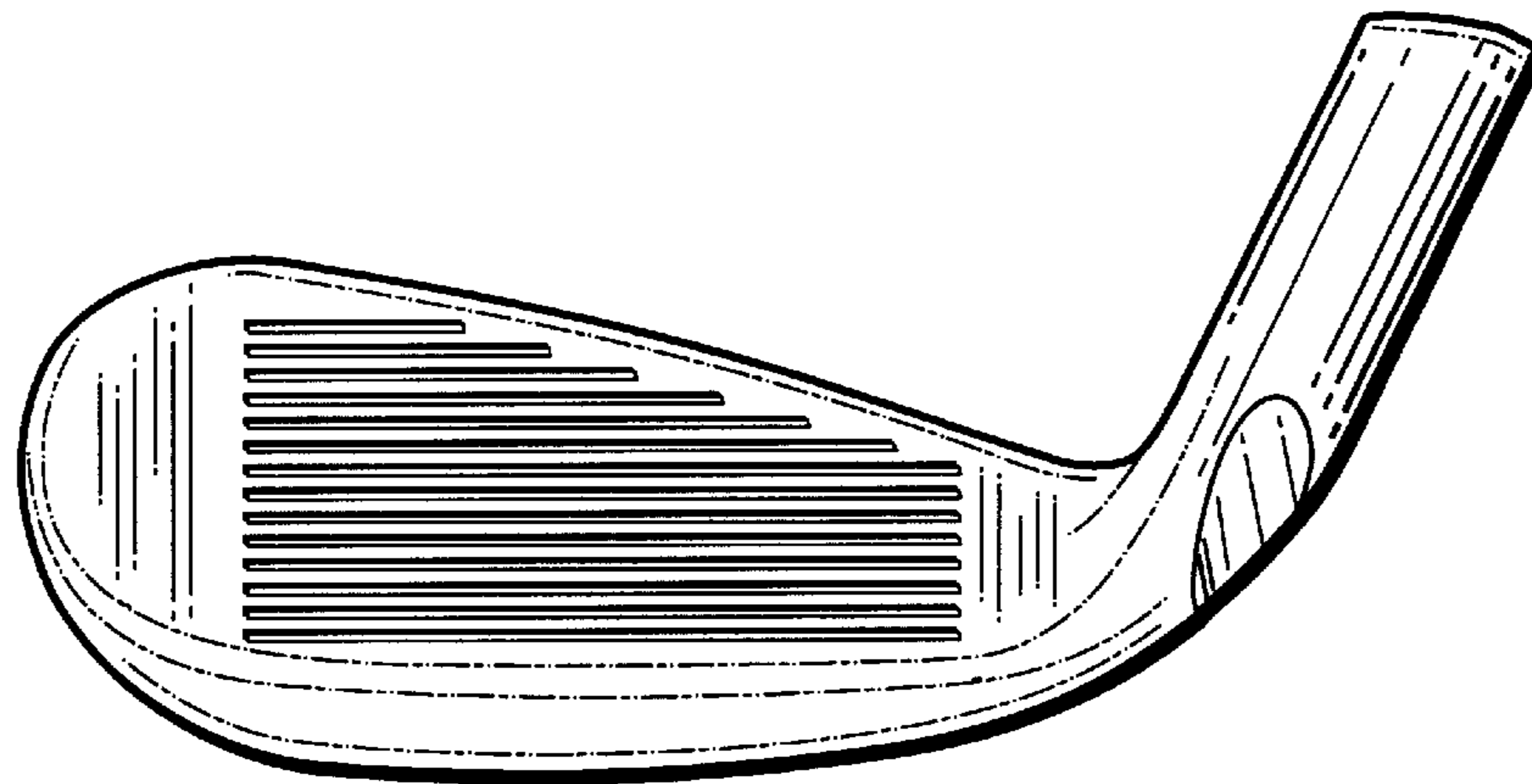
*Fig.3*



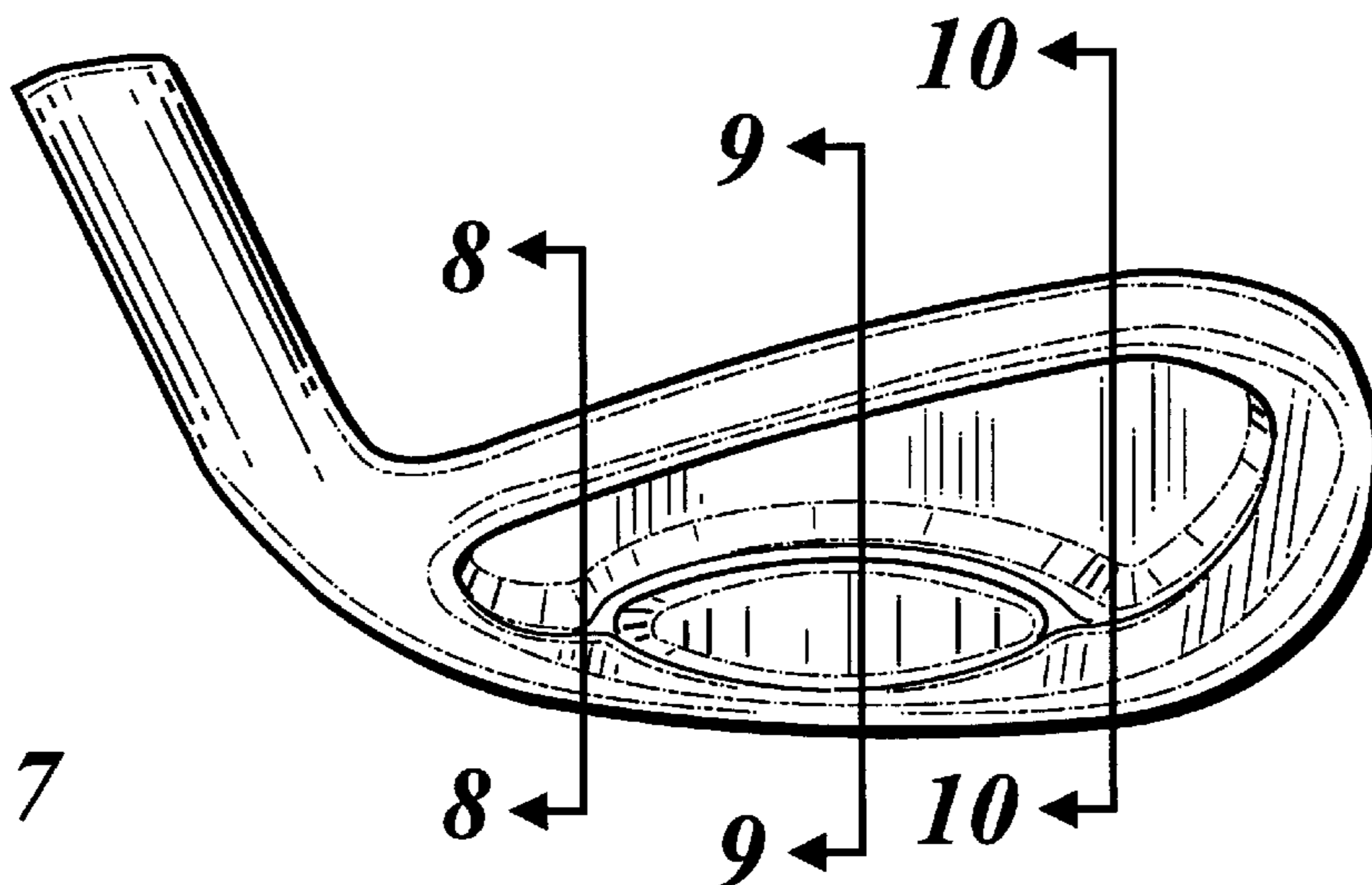
*Fig.4*



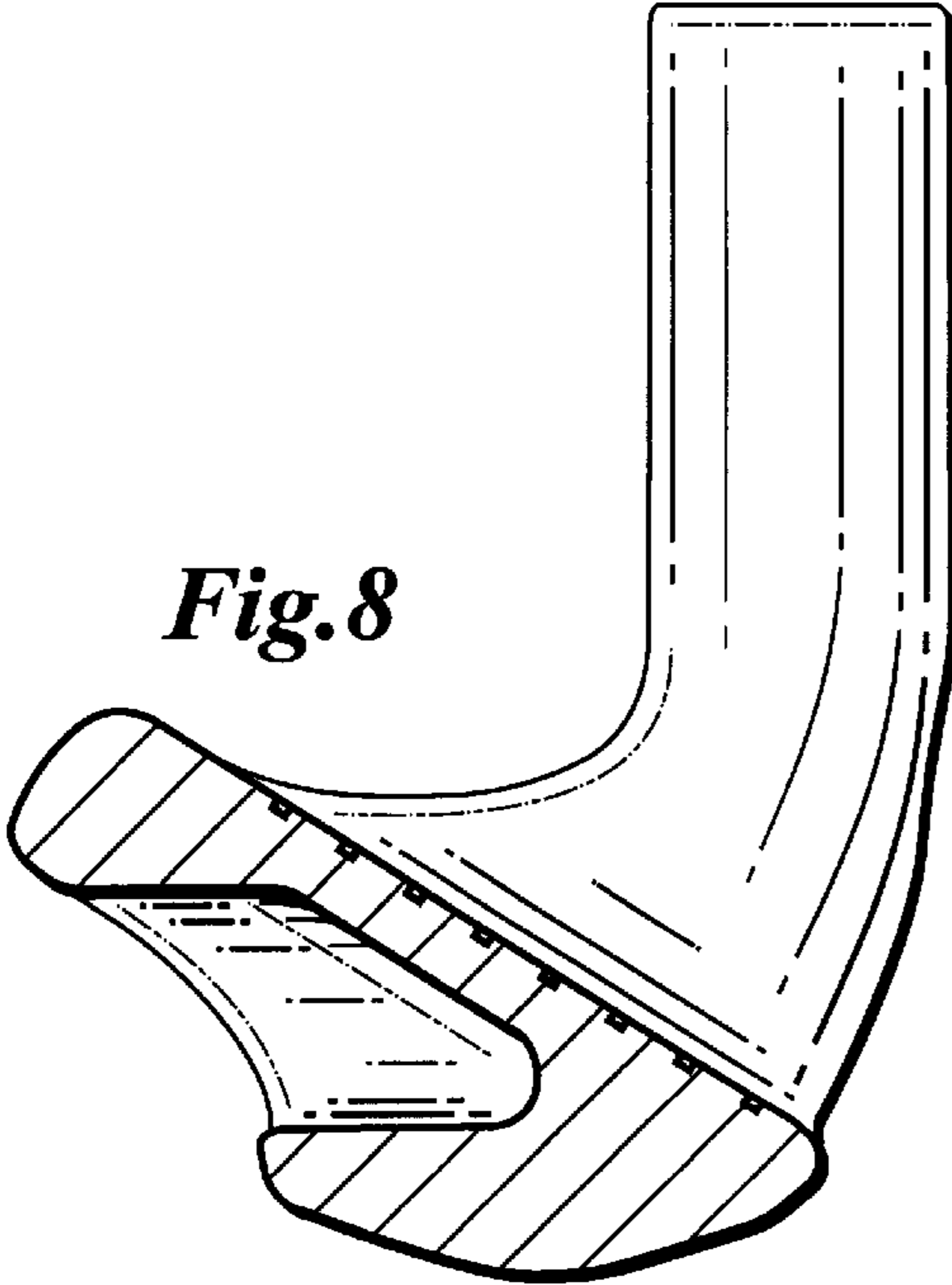
*Fig. 5*



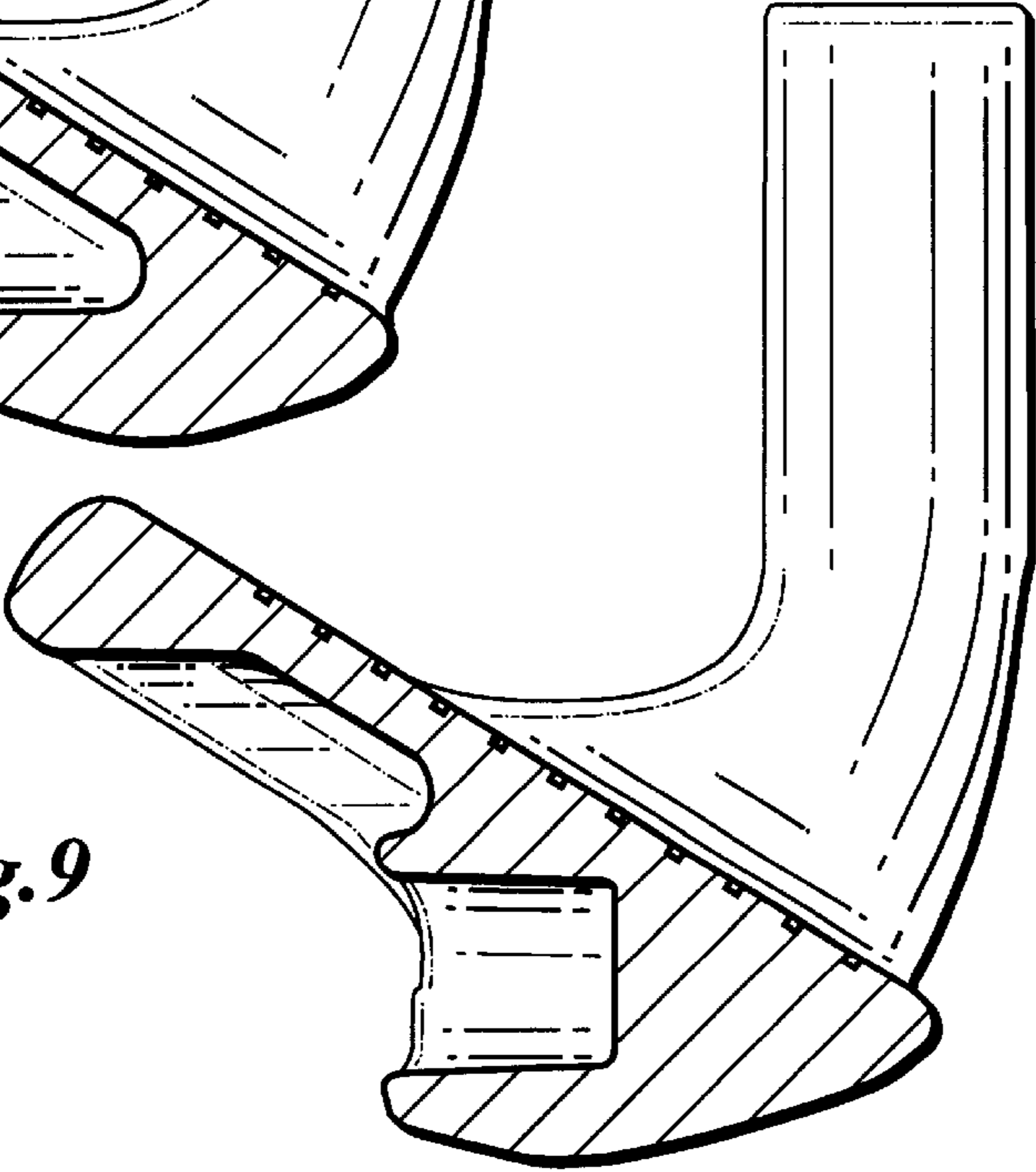
*Fig. 6*



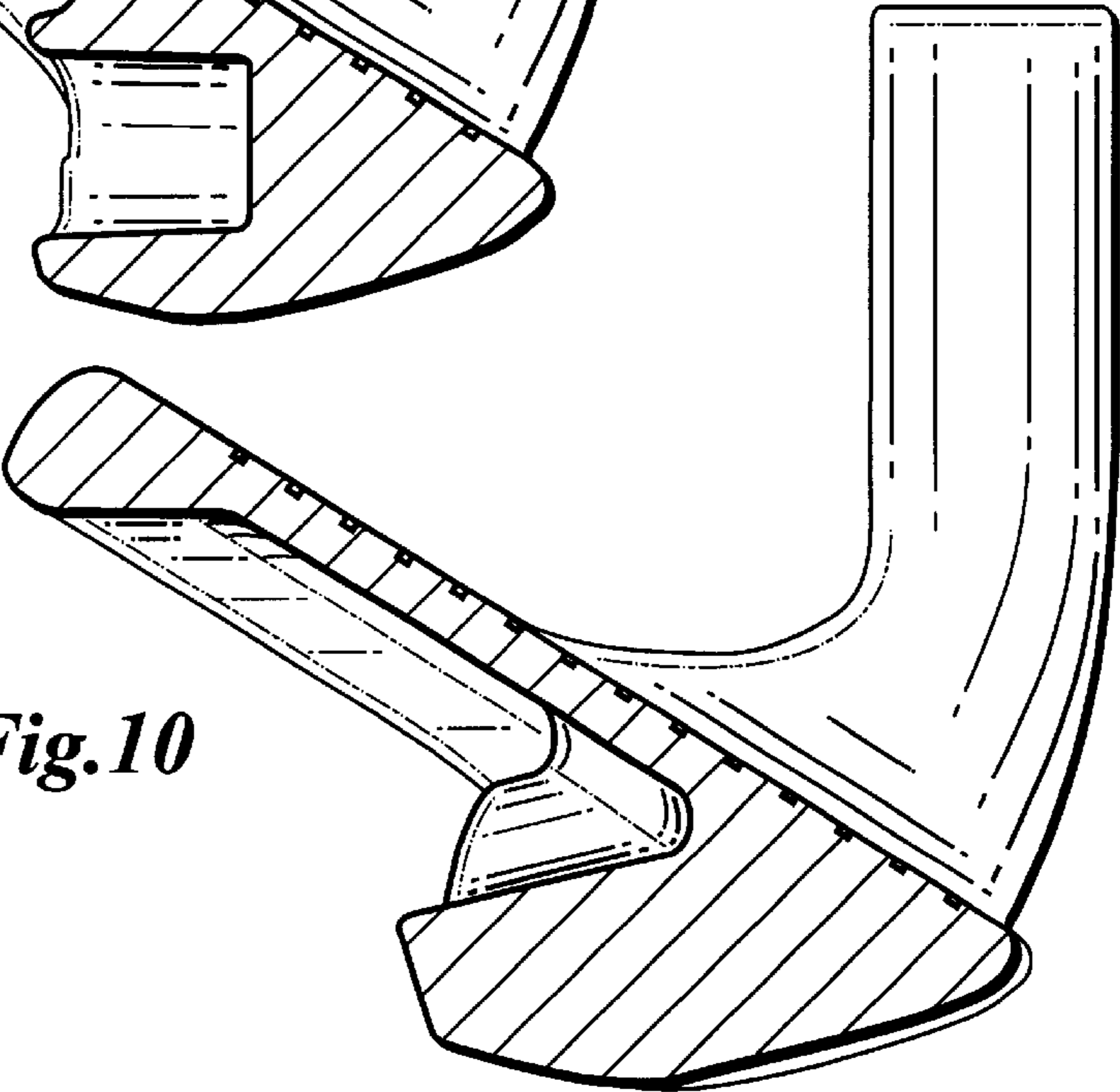
*Fig. 7*



*Fig. 8*



*Fig. 9*



*Fig. 10*