

US00D505170S

(12) **United States Design Patent**  
**Buechel, Jr. et al.**

(10) **Patent No.: US D505,170 S**  
(45) **Date of Patent: \*\* May 17, 2005**

(54) **REHABILITATION AND FITNESS TRAINER**

D480,772 S \* 10/2003 Washington ..... D21/686

(75) Inventors: **Frederick Buechel, Jr.**, Naples, FL (US); **Colin Hoobler**, Portland, OR (US)

\* cited by examiner

*Primary Examiner*—Philip S. Hyder

(74) *Attorney, Agent, or Firm*—Anthony J. Casella; Gerald E. Hespos

(73) Assignee: **Balance Gym LLC**, Naples, FL (US)

(\*\*) Term: **14 Years**

(57) **CLAIM**

The ornamental design for a rehabilitation and fitness trainer, as shown and described.

(21) Appl. No.: **29/199,383**

(22) Filed: **Feb. 13, 2004**

**DESCRIPTION**

(51) **LOC (7) Cl.** ..... **21-22**

(52) **U.S. Cl.** ..... **D21/691; D21/686**

(58) **Field of Search** ..... D21/662, 686, D21/690, 691; D12/130; 482/142, 143, 141, 91, 92; D3/7; 135/67

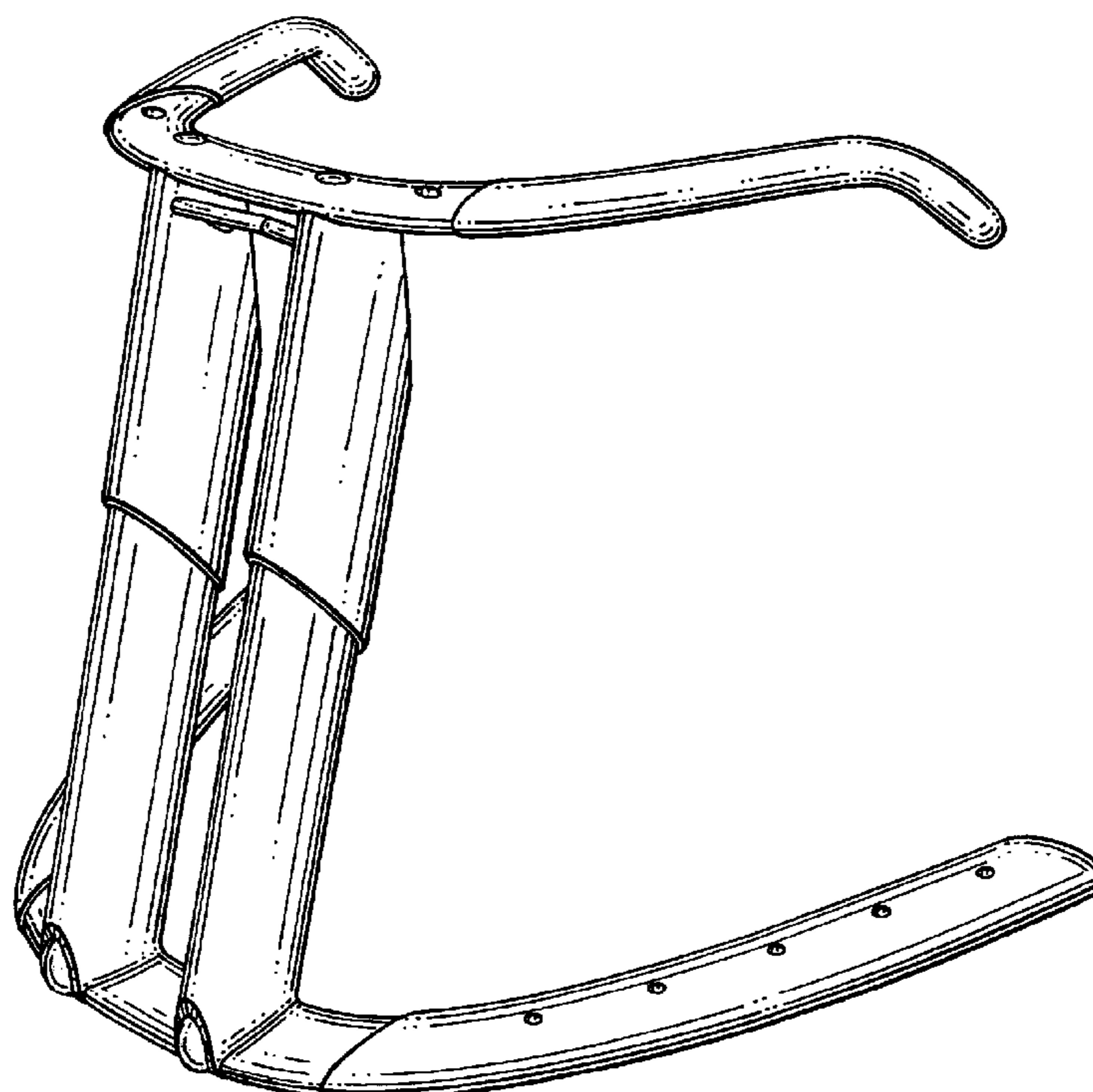
FIG. 1 is a front perspective view of a rehabilitation and fitness trainer showing our new design; FIG. 2 is a rear perspective view of a rehabilitation and fitness trainer showing our new design; FIG. 3 is a front elevational view of the rehabilitation and fitness trainer of our new design; FIG. 4 is a right side elevational view of the rehabilitation and fitness trainer of our new design, with the left side elevational view of the rehabilitation and fitness trainer of our new design being identical; FIG. 5 is a rear elevational view of the rehabilitation and fitness trainer of our new design; FIG. 6 is a top elevational view of the rehabilitation and fitness trainer of our new design; and, FIG. 7 is a bottom elevational view of the rehabilitation and fitness trainer of our new design.

(56) **References Cited**

**U.S. PATENT DOCUMENTS**

4,620,701	A	*	11/1986	Mojden	.....	482/41
D290,033	S	*	5/1987	Policastro	.....	D21/691
D327,105	S	*	6/1992	Smith, Jr.	.....	D21/691
5,169,362	A	*	12/1992	Schwartz	.....	482/96
5,261,868	A	*	11/1993	Pryor et al.	.....	482/142
5,302,164	A	*	4/1994	Austin	.....	482/91
D372,059	S	*	7/1996	Taylor	.....	D21/691
D396,579	S	*	8/1998	Kalayjian	.....	D6/462
D401,985	S	*	12/1998	Wheeler	.....	D21/686
5,961,430	A	*	10/1999	Zuckerman et al.	.....	482/142

**1 Claim, 7 Drawing Sheets**



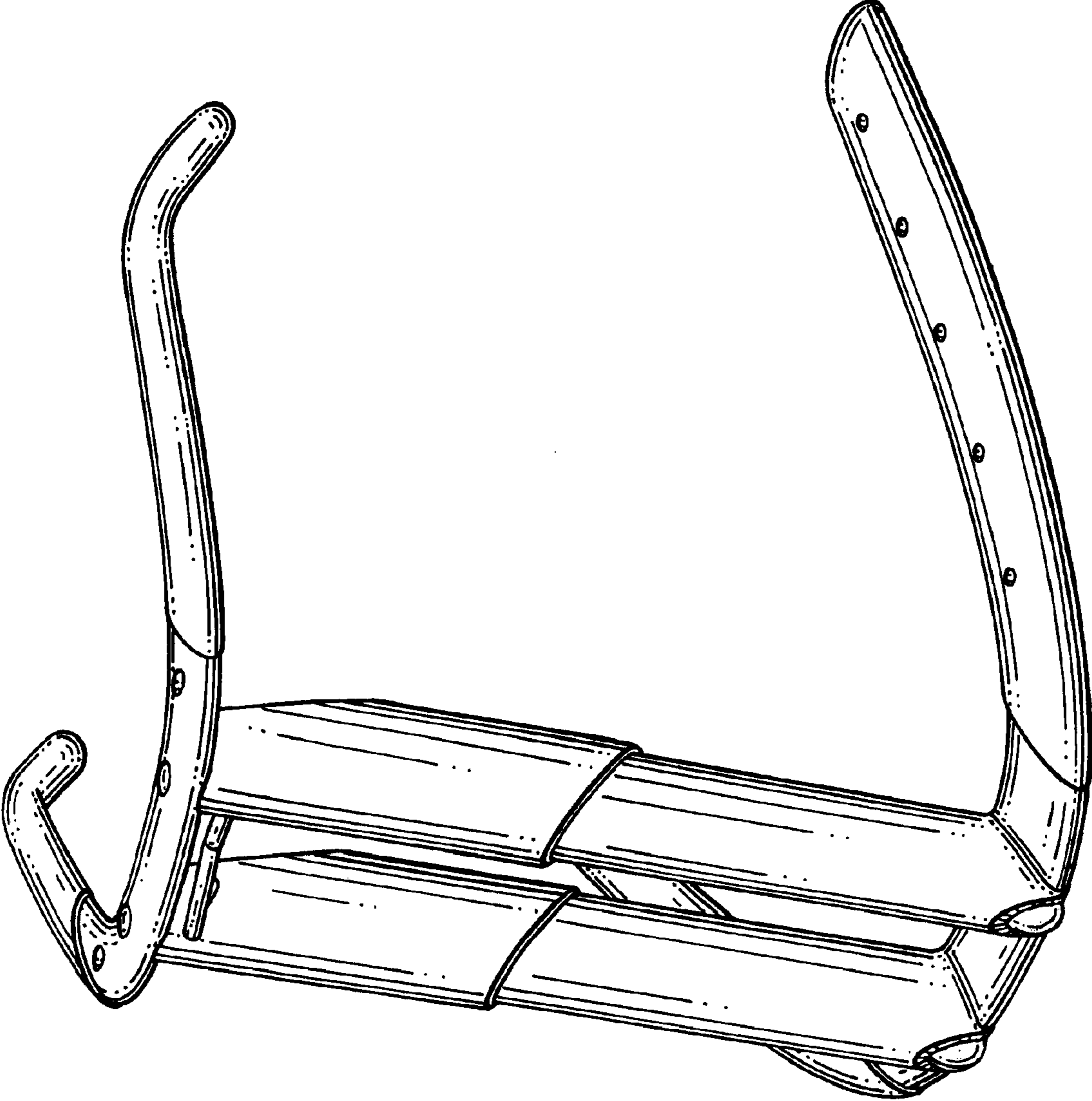


FIG. 1

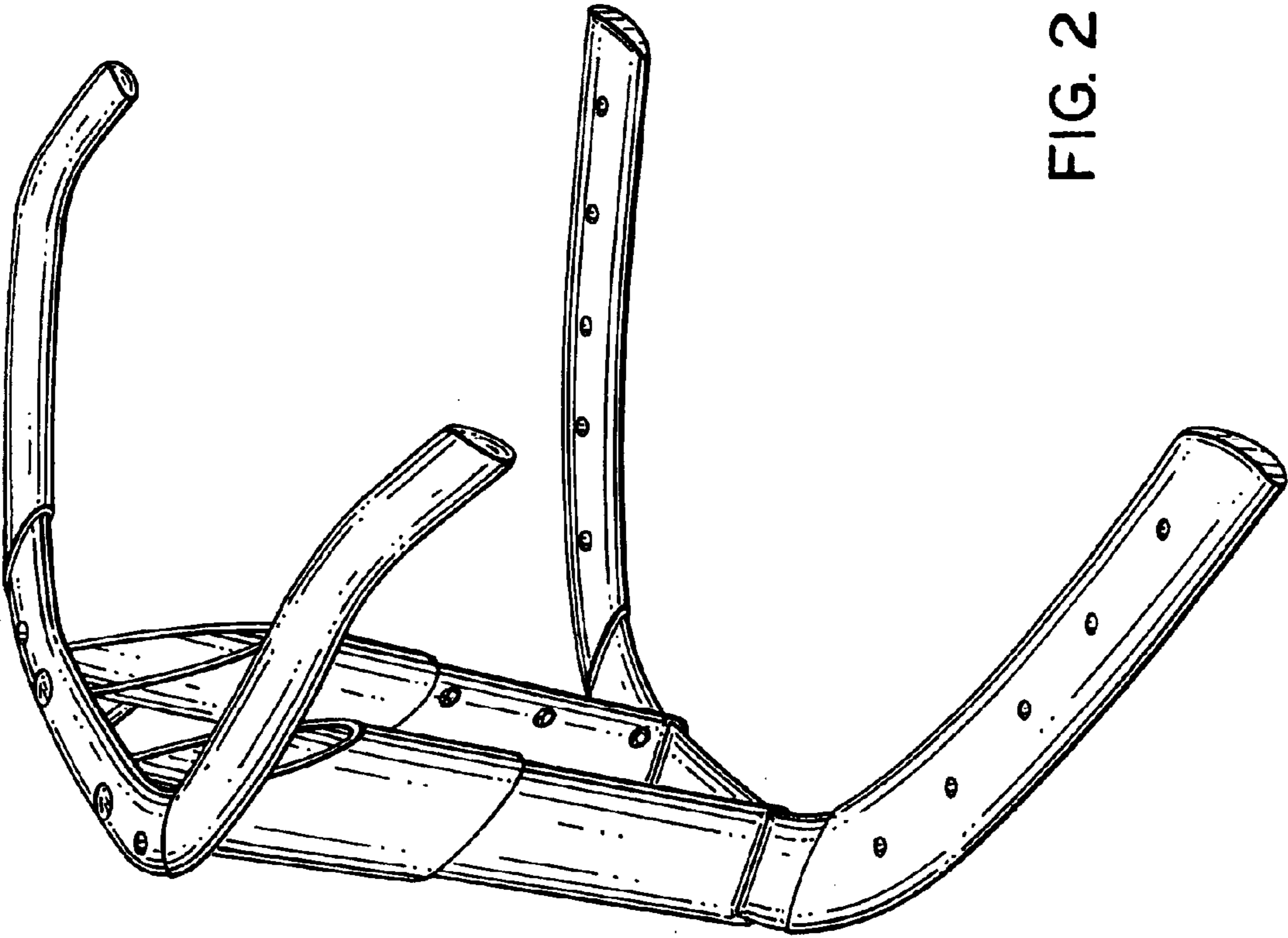


FIG. 2

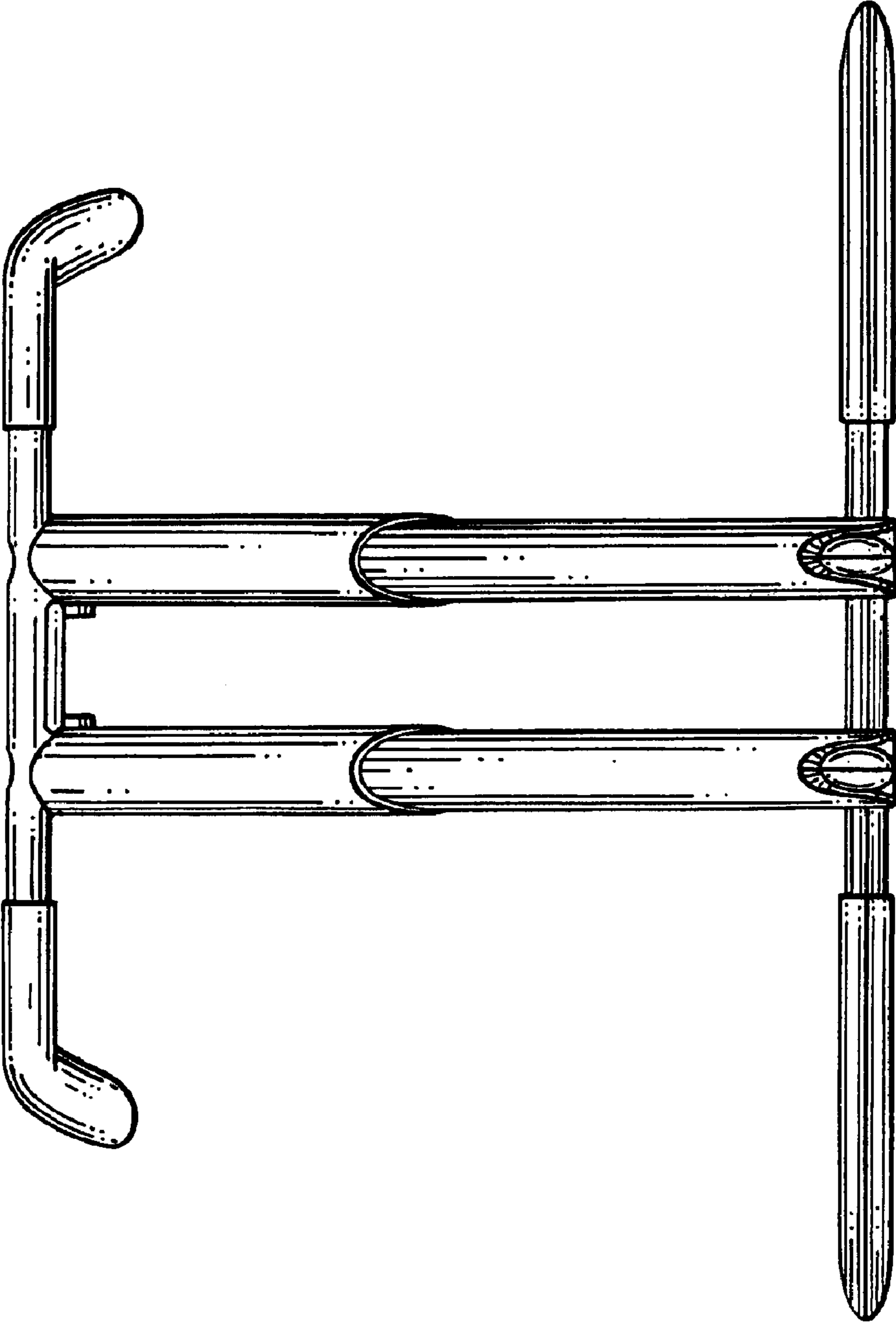


FIG. 3

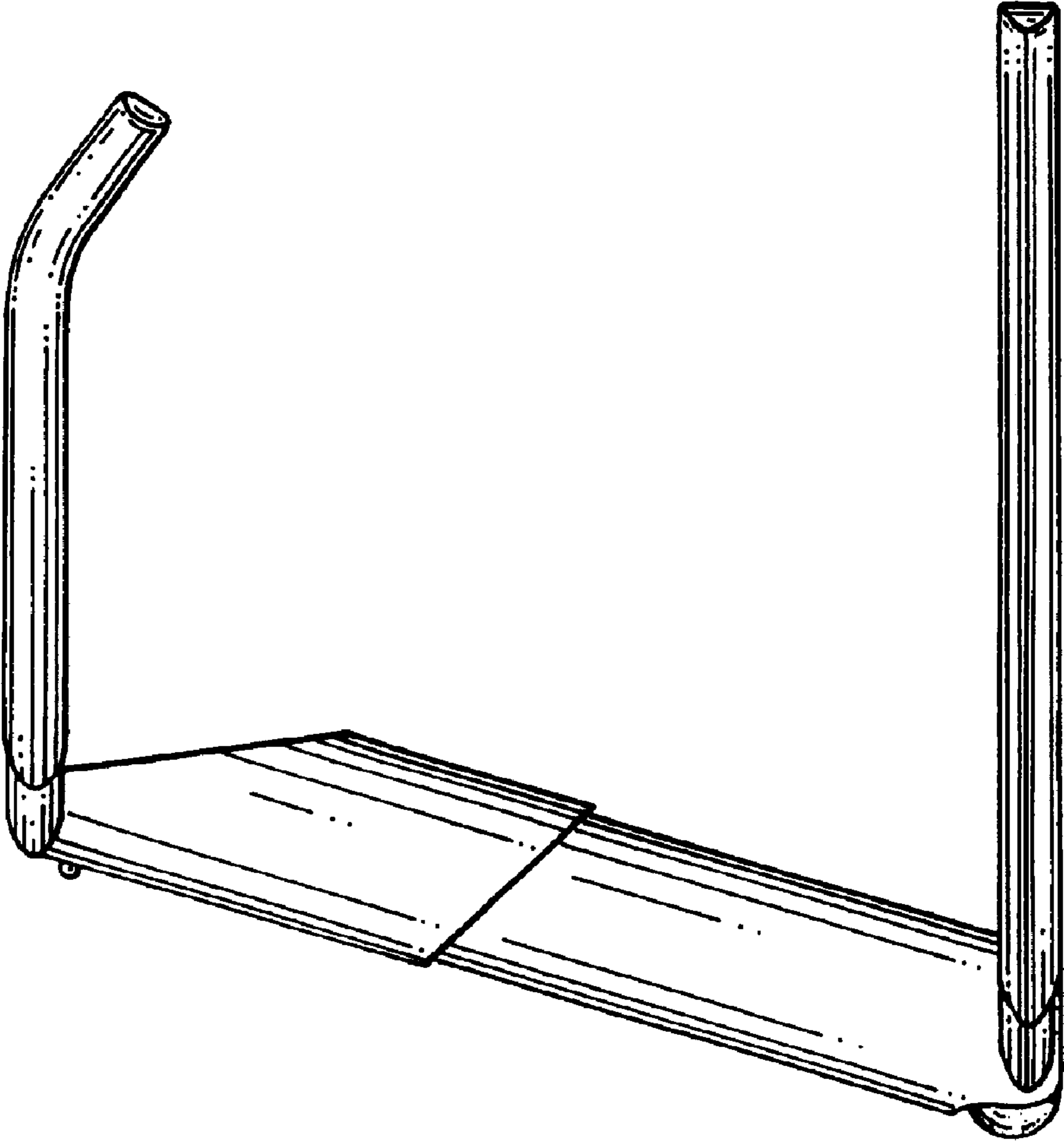


FIG. 4

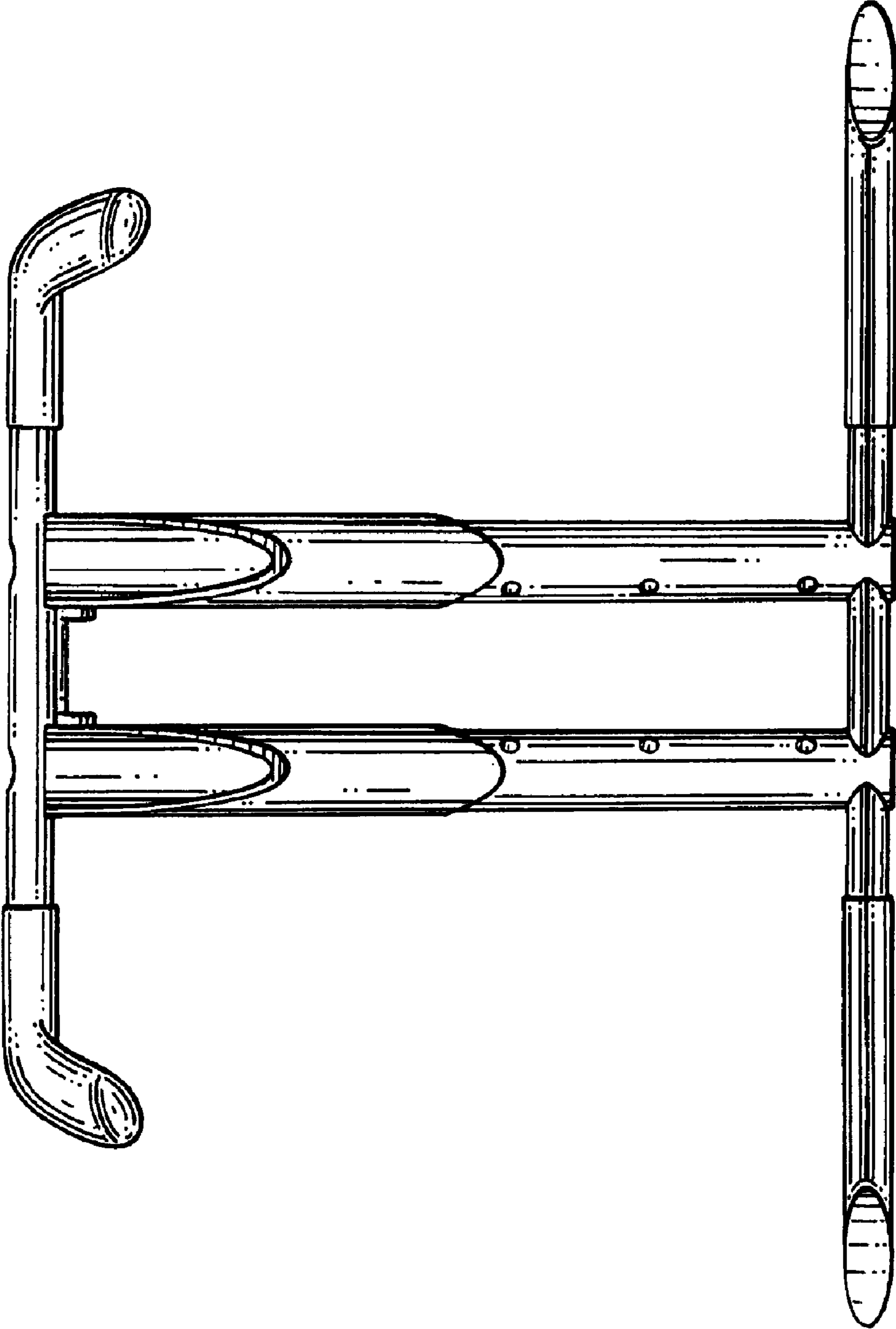


FIG. 5

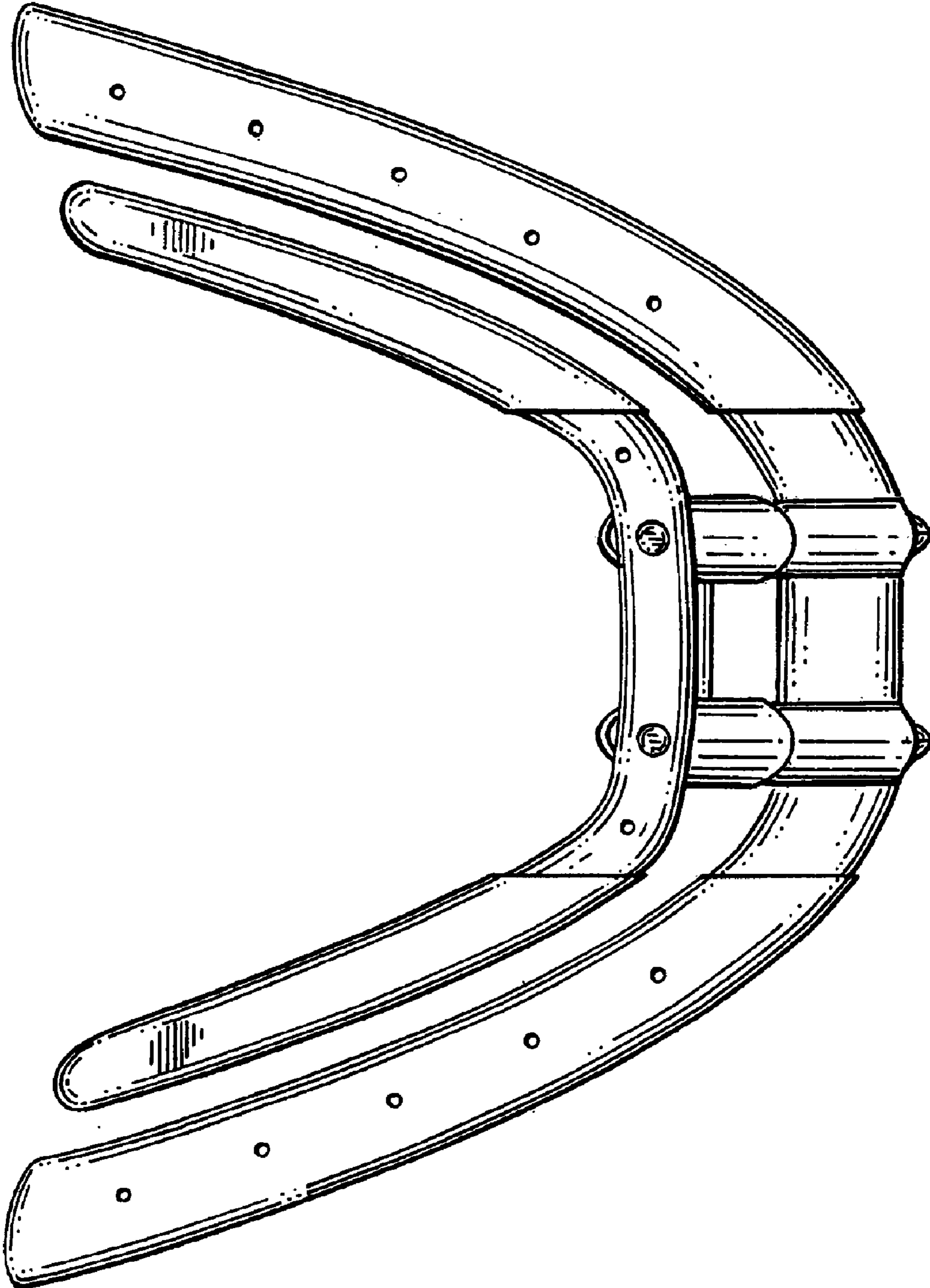


FIG. 6

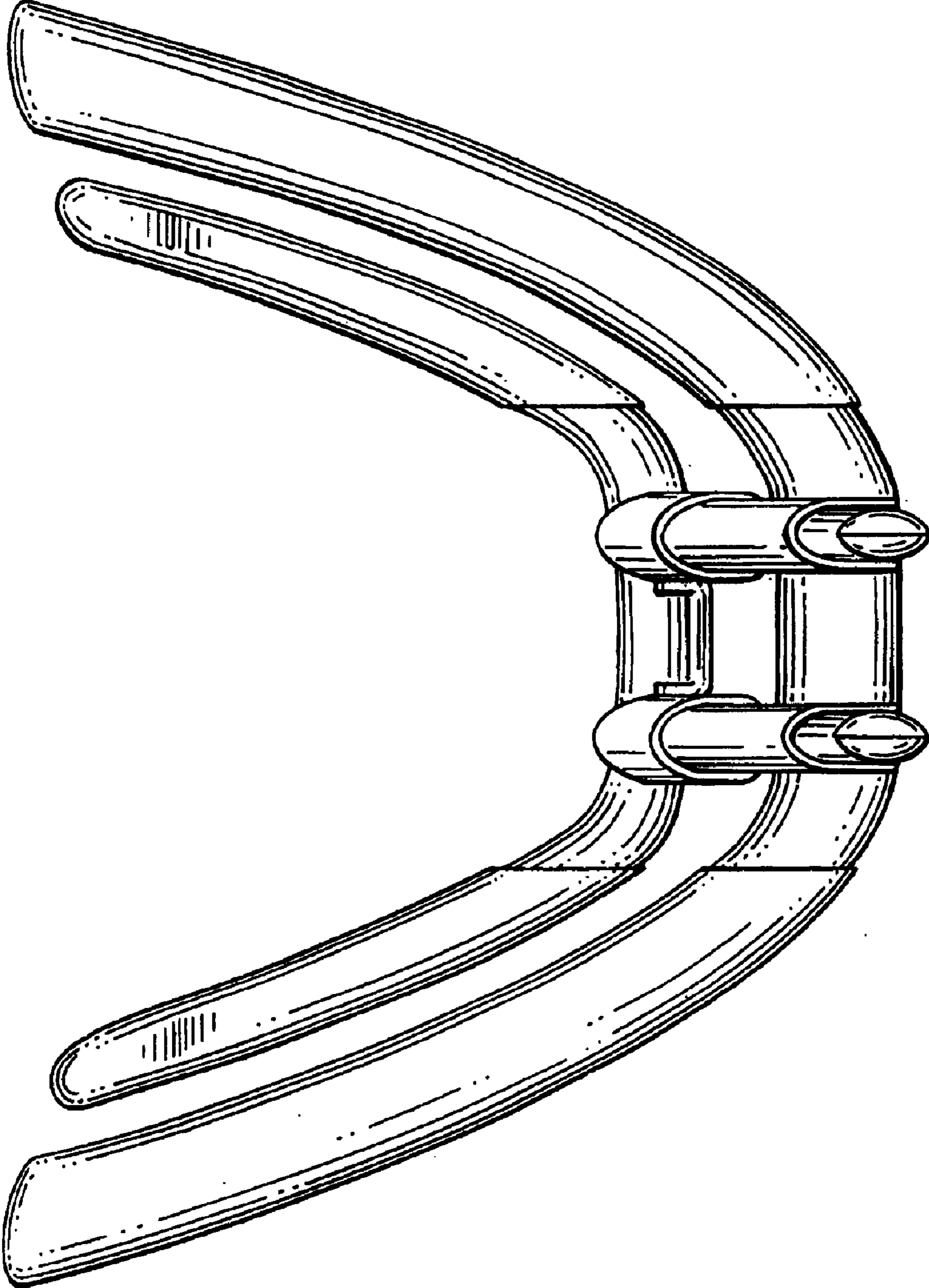


FIG. 7