

US00D505165S

(12) **United States Design Patent** (10) **Patent No.:** **US D505,165 S**
McBride et al. (45) **Date of Patent:** **** May 17, 2005**

(54) **WATER GUN** 4,214,681 A 7/1980 Levine
4,228,930 A 10/1980 Hogan
(75) Inventors: **John McBride**, Morton, PA (US); 4,239,129 A 12/1980 Esposito
Truman John Gilbert, Philadelphia, PA 4,271,988 A 6/1981 Clausen
(US) 4,274,558 A 6/1981 Clausen
4,350,268 A 9/1982 Potter

(73) Assignee: **Mattel, Inc.**, El Segundo, CA (US) (Continued)

(**) Term: **14 Years**

FOREIGN PATENT DOCUMENTS

(21) Appl. No.: **29/180,808**
(22) Filed: **Apr. 30, 2003**
(51) **LOC (7) Cl.** **21-01**
(52) **U.S. Cl.** **D21/572**
(58) **Field of Search** D21/567, 572-575,
D21/447-452; D23/225-226; 446/267,
473, 475; 222/78-79; 239/211, 237, 229,
373; D14/428; D22/103; 124/78, 73-76,
6, 16

GB	431955	7/1935
GB	669983	4/1952
JP	4-263795	9/1992
JP	6-94395	5/1994
WO	WO94/00208	1/1994
WO	WO94/00210	1/1994
WO	WO94/00243	1/1994
WO	WO94/00244	1/1994
WO	WO96/36846	11/1996
WO	WO98/05397	2/1998
WO	WO98/29175	7/1998
WO	WO98/30299	7/1998
WO	WO98/54534	12/1998
WO	WO99/15849	4/1999
WO	WO00/76670	12/2000
WO	WO01/23059	4/2001
WO	WO01/37356	5/2001

(56) **References Cited**

U.S. PATENT DOCUMENTS

2,049,194 A	7/1936	Chapin et al.
D159,040 S	6/1950	Bicos
2,536,484 A	1/1951	Avery
2,589,977 A	3/1952	Stelzer
2,629,516 A	2/1953	Badham
2,648,159 A	8/1953	Rotfeld
2,660,000 A	11/1953	Strayer
2,746,643 A	5/1956	Spalding
2,888,172 A	5/1959	O'Brian
2,915,221 A	12/1959	Dillon
3,005,495 A	10/1961	Herberg
3,022,779 A	2/1962	Benkoe
3,104,448 A	9/1963	Morrow et al.
3,197,070 A	7/1965	Pearl et al.
3,240,924 A	3/1966	Darby
3,318,482 A	5/1967	Voce
3,365,838 A	1/1968	Butler et al.
3,578,789 A	5/1971	Ferri
3,786,683 A	1/1974	Berman et al.
3,930,761 A	1/1976	Barraclough
4,070,725 A	1/1978	Austin et al.
4,214,674 A	7/1980	Jones et al.

Primary Examiner—Raphael Barkai
(74) *Attorney, Agent, or Firm*—Kolisch Hartwell, P.C.

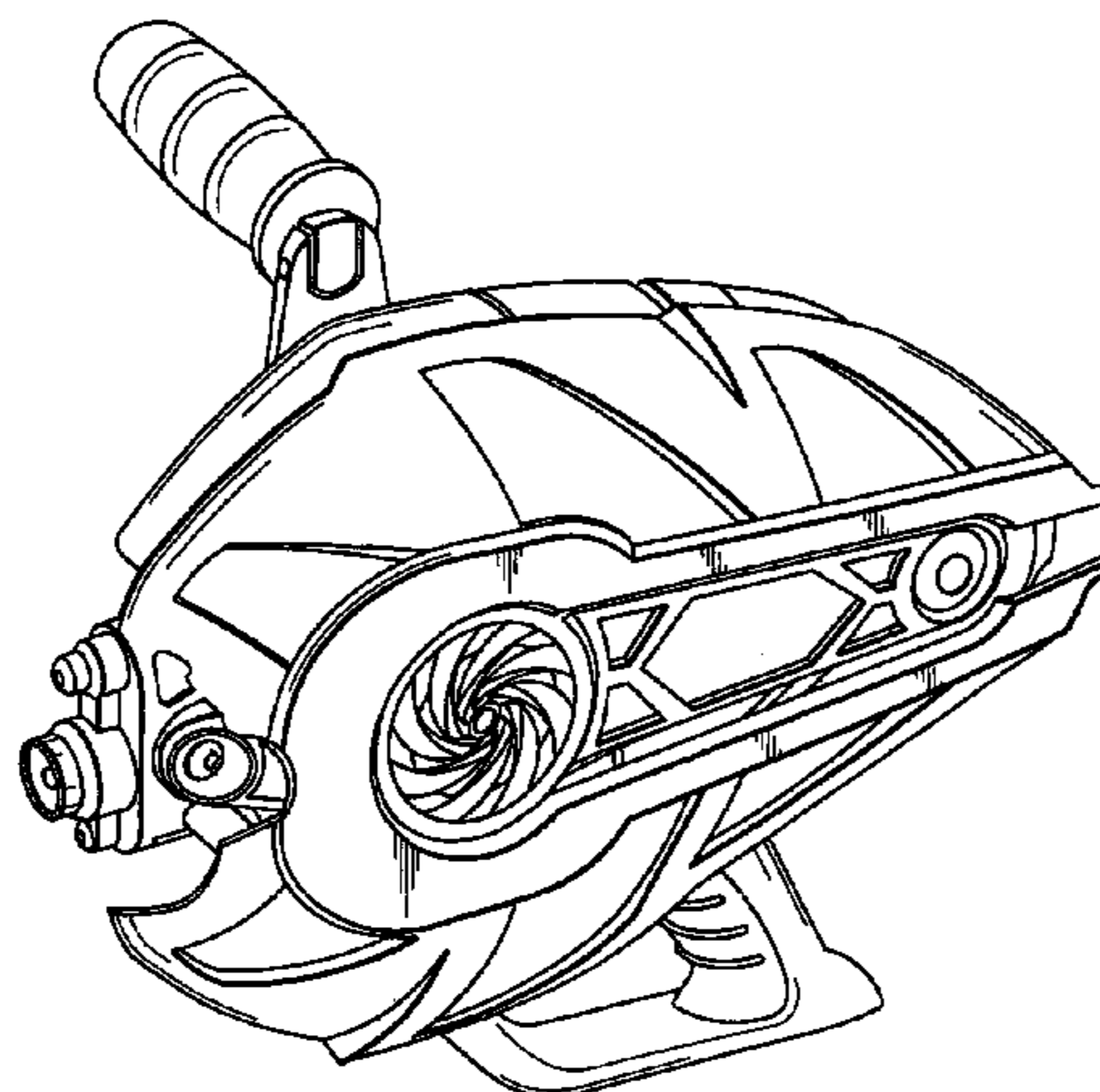
(57) **CLAIM**

The ornamental designs for water gun, as shown and described.

DESCRIPTION

FIG. 1 is a front left side perspective view of a water gun in accordance with our new design;
FIG. 2 is a front elevational view thereof;
FIG. 3 is a right side elevational view thereof;
FIG. 4 is a top plan view thereof;
FIG. 5 is a rear elevational view thereof;
FIG. 6 is a left side elevational view thereof; and,
FIG. 7 is a first bottom plan view thereof.

1 Claim, 4 Drawing Sheets



U.S. PATENT DOCUMENTS							
4,441,629	A	4/1984	Mackal	5,735,440	A	4/1998	Regalbuto
4,550,876	A	11/1985	Kulesza et al.	5,779,100	A	7/1998	Johnson
4,591,071	A	5/1986	Johnson	5,779,240	A	7/1998	Santella
4,597,527	A	7/1986	Sands	5,787,869	A	8/1998	Johnson et al.
4,615,488	A	10/1986	Sands	5,823,849	A	10/1998	Gardner et al.
4,630,757	A	12/1986	Yano	5,826,750	A	10/1998	Johnson
4,706,848	A	11/1987	D'Andrade	5,829,635	A	11/1998	Brovelli
4,733,799	A	3/1988	Wiskur	5,850,941	A	12/1998	Johnson et al.
4,735,239	A	4/1988	Salmon et al.	5,878,734	A	3/1999	Johnson et al.
4,743,030	A	5/1988	Auer et al.	5,878,735	A	3/1999	Johnson
4,757,946	A	7/1988	Johnson	5,878,914	A	3/1999	Johnson
4,765,510	A	8/1988	Rende	5,913,304	A	6/1999	Johnson
4,854,480	A	8/1989	Shindo	5,915,771	A	6/1999	Thies, Jr.
D304,049	S	10/1989	Lee	5,924,413	A	7/1999	Johnson et al.
4,890,767	A	1/1990	Burlison	5,975,358	A	11/1999	Zheng et al.
4,932,912	A	6/1990	Combs	6,000,386	A	12/1999	Johnson et al.
5,012,974	A	5/1991	Johnson	6,003,503	A	12/1999	Johnson et al.
5,029,732	A	7/1991	Wong	6,012,609	A	1/2000	D'Andrade
5,065,904	A	11/1991	McCaffrey et al.	D423,063	S	4/2000	D'Andrade et al.
5,074,437	A	12/1991	D'Andrade et al.	D423,609	S	4/2000	D'Andrade et al.
5,150,819	A	9/1992	Johnson et al.	D426,592	S	6/2000	Zimmerman
5,184,755	A	2/1993	Brovelli	D426,593	S	6/2000	Zimmerman
5,184,756	A	2/1993	Amron	D427,251	S	6/2000	D'Andrade et al.
D336,668	S	6/1993	D'Andrade	D428,077	S	7/2000	Zimmerman
D336,938	S	6/1993	D'Andrade	D429,504	S	8/2000	Hornsby et al.
D336,939	S	6/1993	Salmon et al.	D429,505	S	8/2000	Hornsby et al.
D338,697	S	8/1993	Salmon et al.	D429,506	S	8/2000	Hornsby et al.
5,238,149	A	8/1993	Johnson et al.	D430,908	S	9/2000	Hornsby et al.
5,292,032	A	3/1994	Johnson et al.	D433,079	S	10/2000	Zimmerman
5,305,918	A	4/1994	D'Andrade	6,138,871	A	10/2000	D'Andrade
5,305,919	A	4/1994	Johnson et al.	D434,458	S	11/2000	Hornsby et al.
5,318,202	A	6/1994	D'Andrade	6,151,824	A	11/2000	Clayton
5,322,191	A	6/1994	Johnson et al.	6,193,107	B1	2/2001	D'Andrade
5,332,120	A	7/1994	D'Andrade et al.	D439,286	S	3/2001	Hornsby et al.
5,348,508	A	9/1994	Garfinkel	D441,039	S	* 4/2001	Greenberg et al. D21/572
5,366,108	A	11/1994	Darling	6,220,237	B1	4/2001	Johnson et al.
5,373,832	A	12/1994	D'Andrade	6,234,347	B1	5/2001	Amron
5,398,873	A	3/1995	Johnson et al.	6,257,448	B1	7/2001	D'Andrade et al.
5,433,646	A	7/1995	Tarng	6,279,562	B1	8/2001	Clayton
5,435,569	A	7/1995	Zilliox	6,280,277	B1	8/2001	Greenberg et al.
5,509,318	A	4/1996	Gomes	6,345,732	B1	2/2002	Zimmerman et al.
RE35,412	E	12/1996	Johnson et al.	6,364,162	B1	4/2002	Johnson et al.
5,586,688	A	12/1996	Johnson et al.	6,364,219	B1	4/2002	Zimmerman et al.
5,590,836	A	1/1997	Thielbar	6,408,837	B1	6/2002	Johnson et al.
5,592,931	A	1/1997	Johnson et al.	6,415,451	B1	7/2002	Waller
5,596,978	A	1/1997	Johnson et al.	6,419,545	B1	7/2002	Motosko
5,603,361	A	2/1997	Cuisinier	6,439,216	B1	8/2002	Johnson et al.
5,611,460	A	3/1997	Rudell	6,474,507	B1	11/2002	Hornsby et al.
5,613,890	A	3/1997	DeMars	D466,958	S	12/2002	Hornsby et al.
5,626,123	A	5/1997	Johnson et al.	D470,569	S	2/2003	Chen
5,660,159	A	8/1997	Clayton	6,540,108	B1	4/2003	Johnson
5,662,244	A	9/1997	Liu et al.	D478,639	S	8/2003	Menow et al.
5,699,781	A	12/1997	Johnson et al.	2002/0020712	A1	2/2002	Hornsby et al.
5,701,879	A	12/1997	Johnson et al.	2002/0042943	A1	4/2002	Waller
5,709,199	A	1/1998	Johnson et al.	2002/0074343	A1	6/2002	Johnson et al.
5,724,955	A	3/1998	Johnson et al.	2002/0127946	A1	9/2002	Hornsby et al.
5,730,325	A	3/1998	Cheung	2002/0132557	A1	9/2002	Yu

* cited by examiner

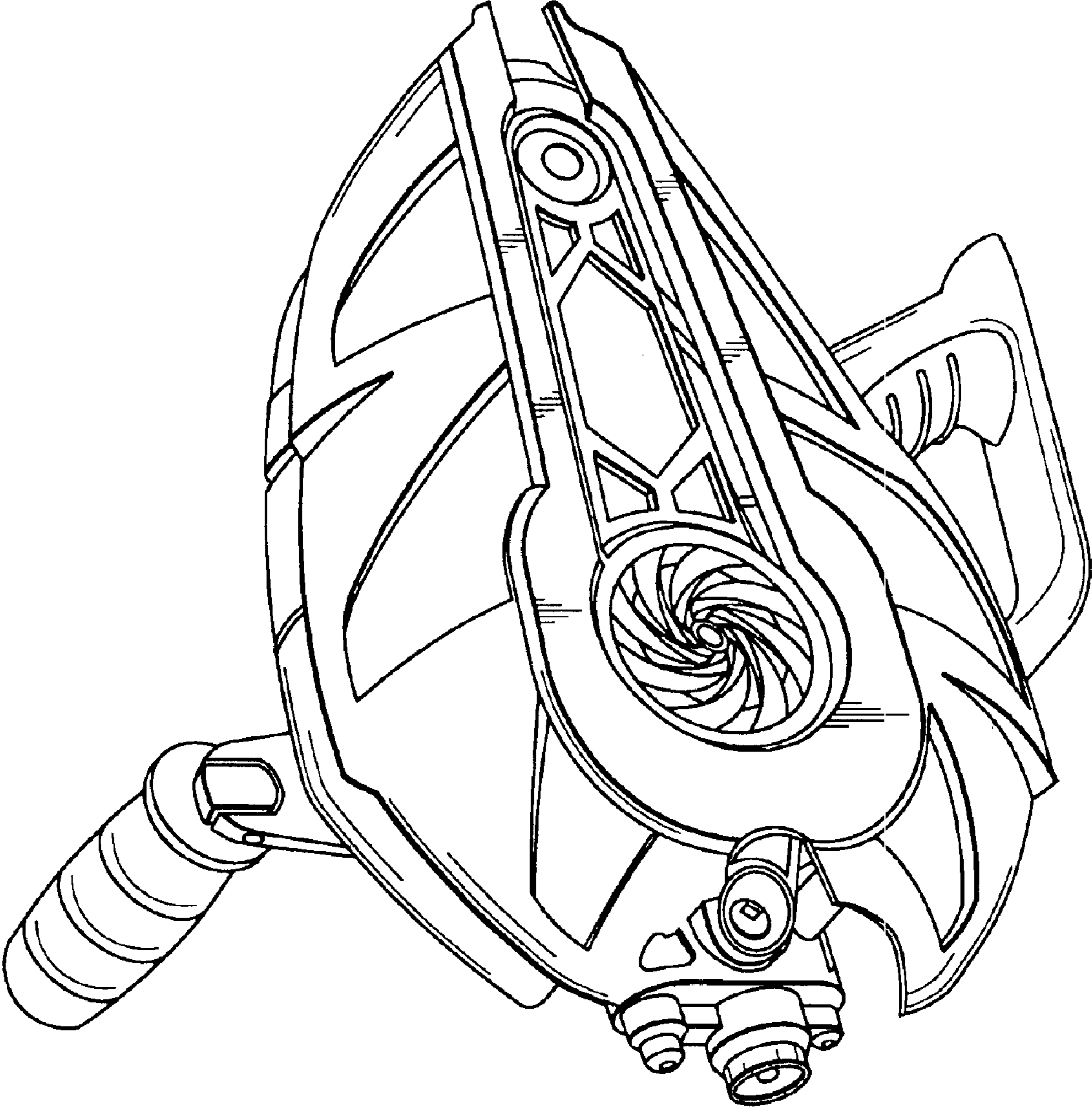


FIG. 1

FIG. 2

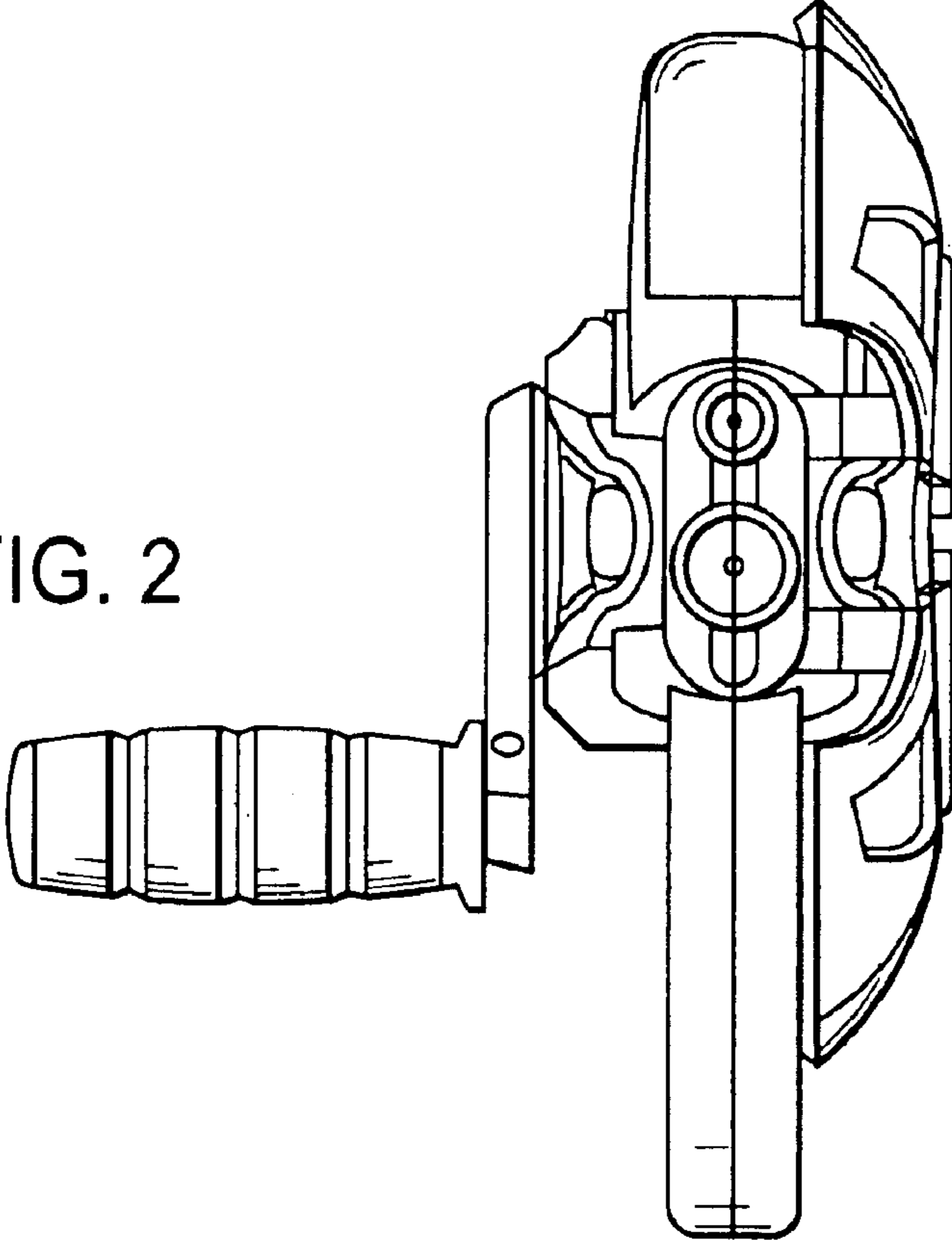


FIG. 3

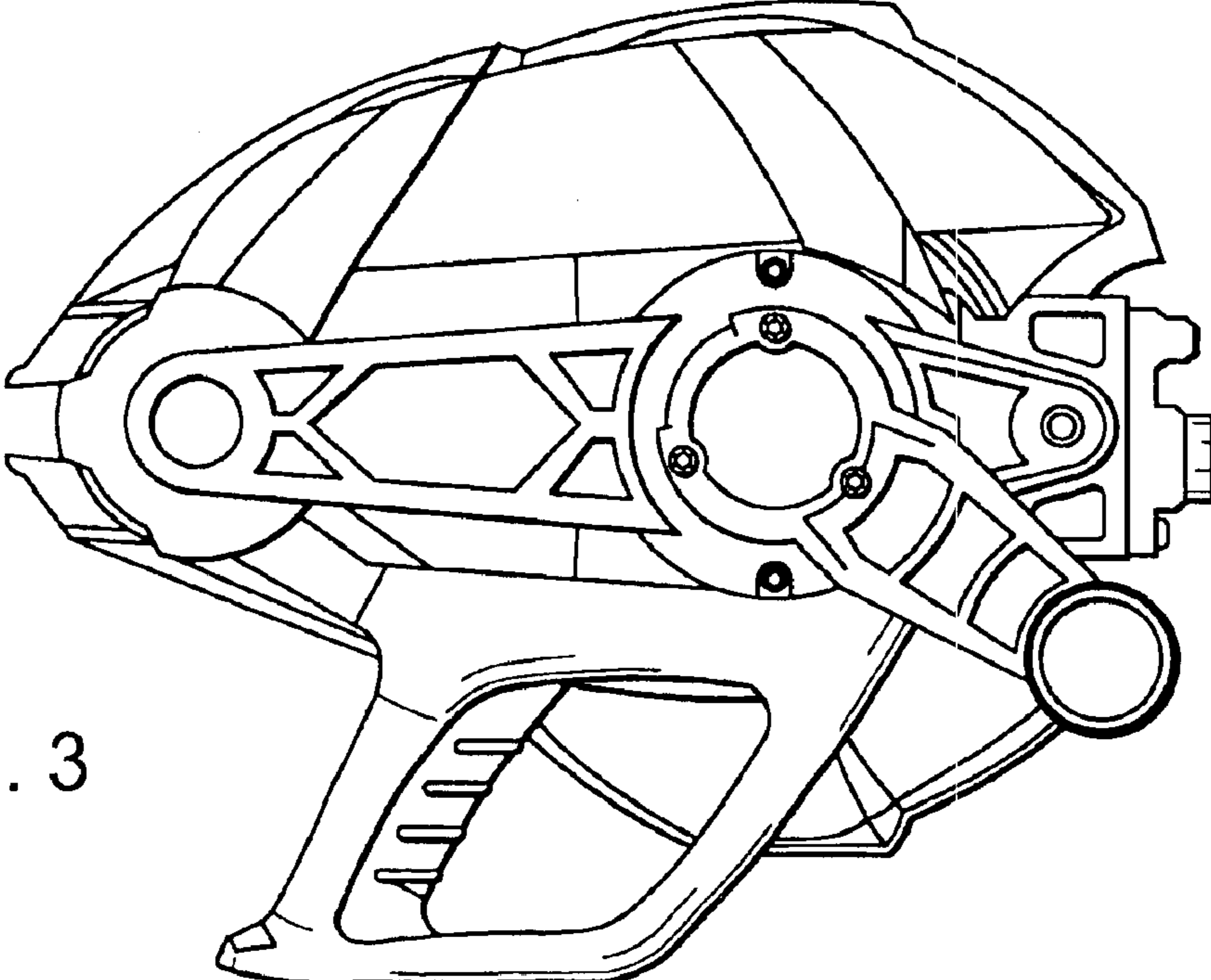


FIG. 4

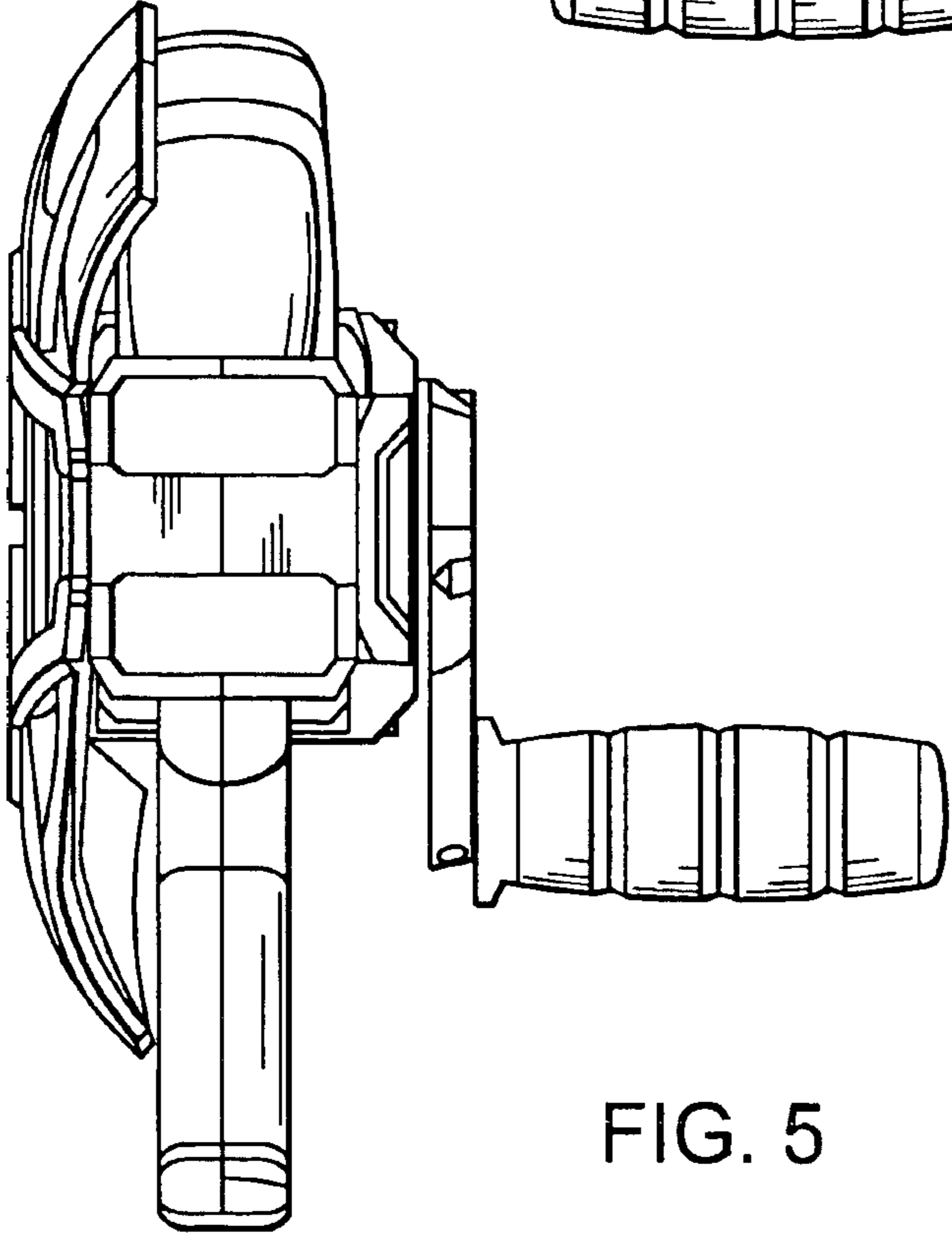
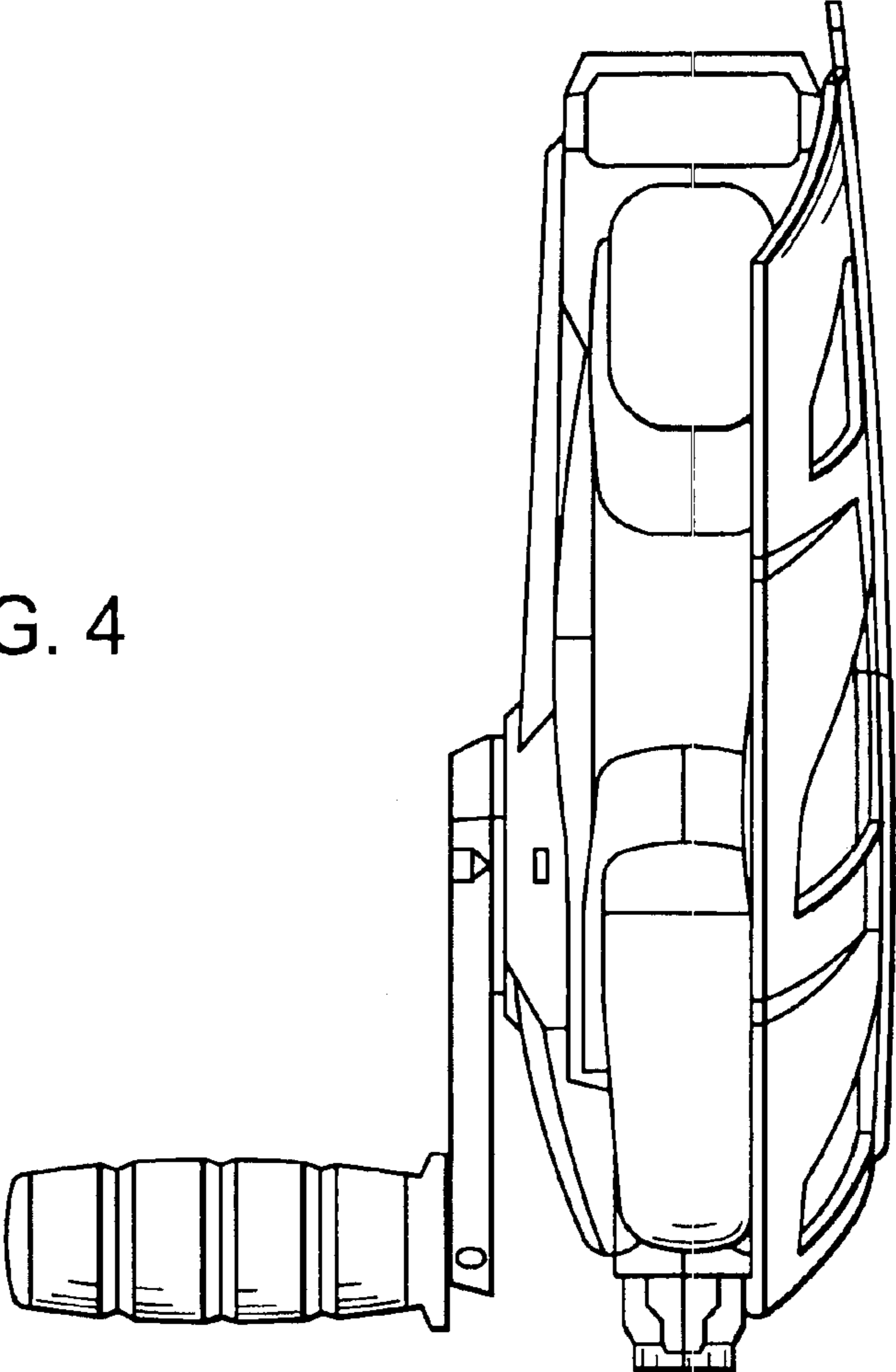


FIG. 5

FIG. 7

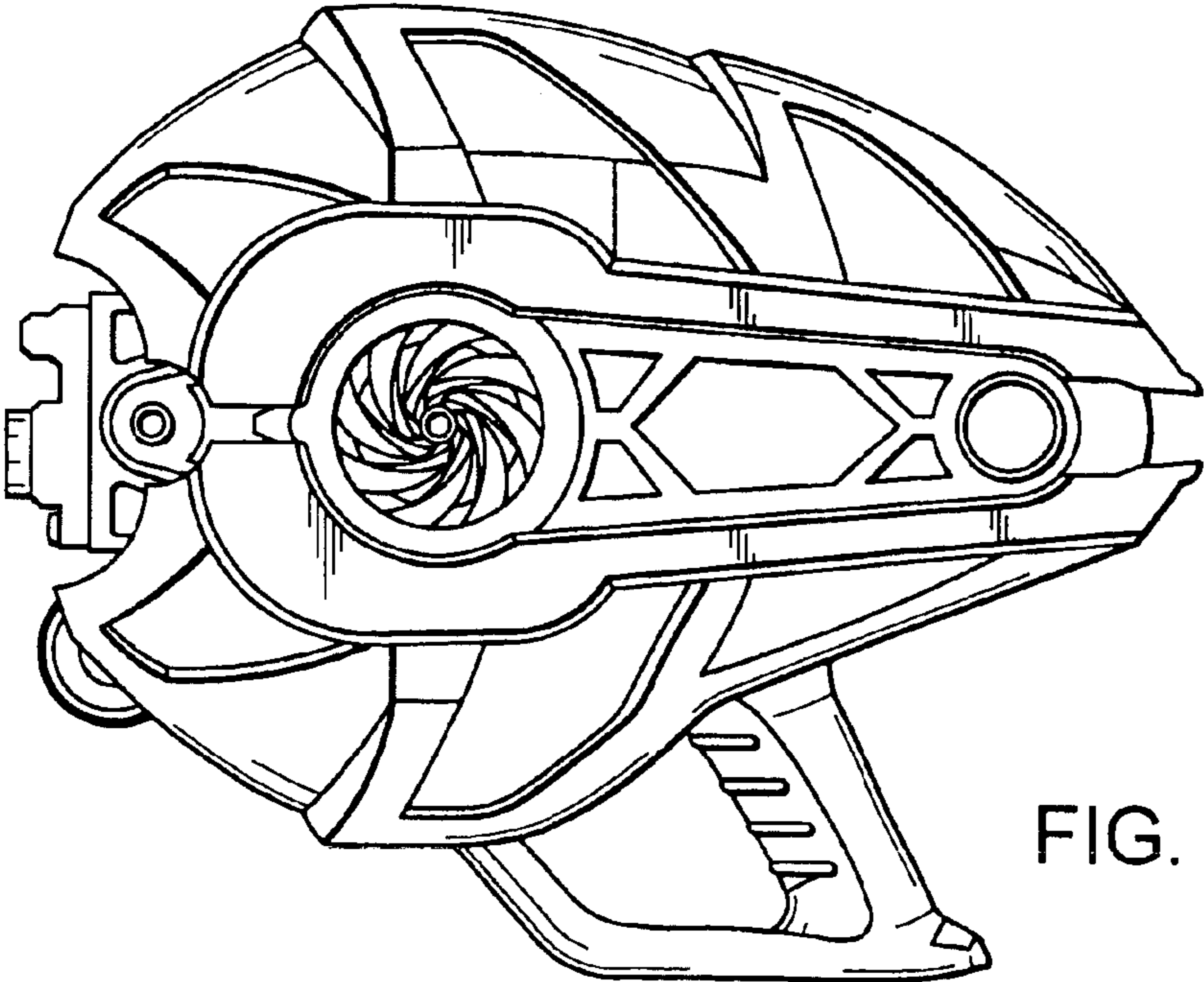
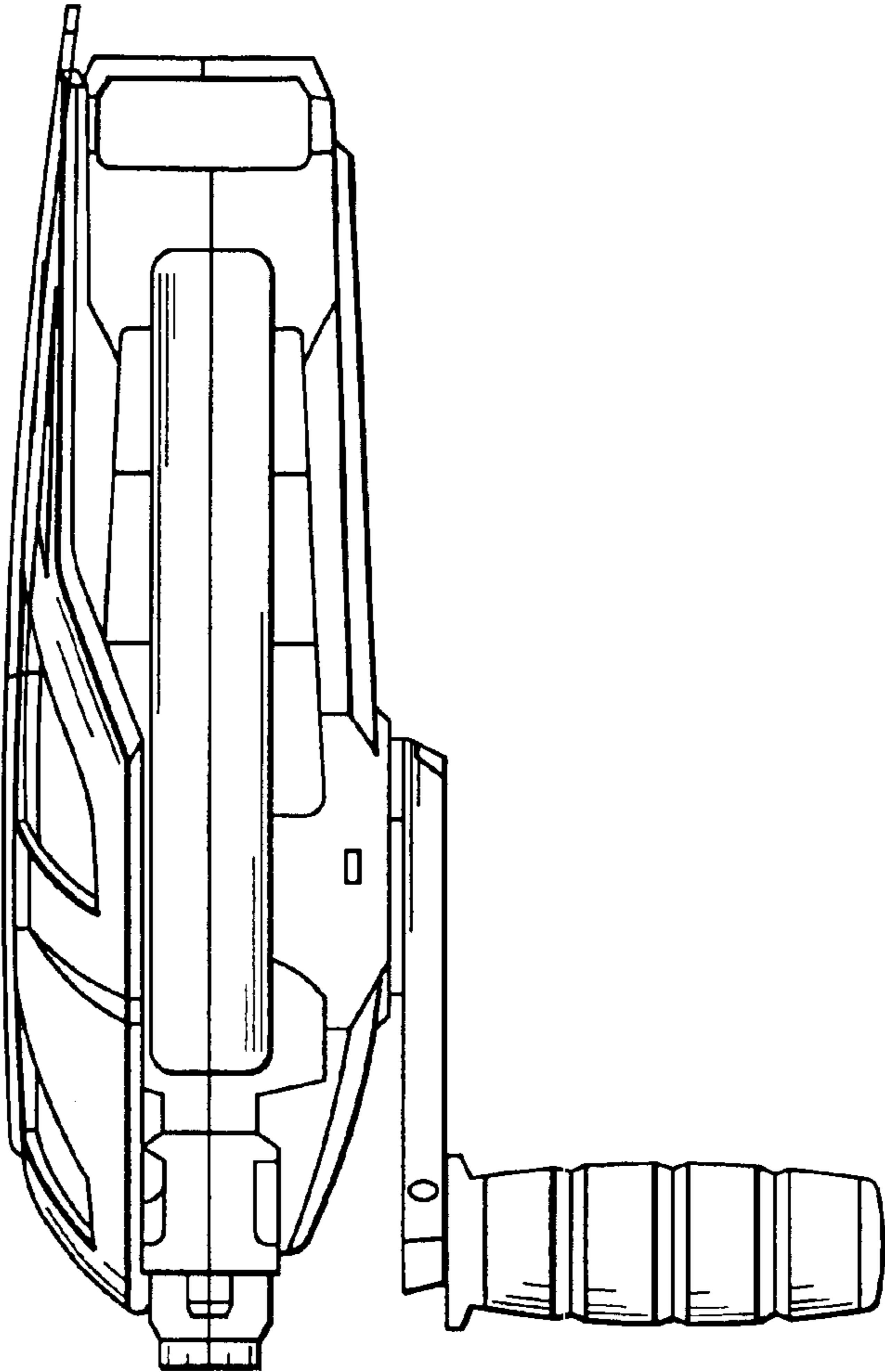


FIG. 6