

US00D505163S

(12) **United States Design Patent**  
**Leech et al.**

(10) **Patent No.:** **US D505,163 S**  
(45) **Date of Patent:** **\*\* May 17, 2005**

(54) **PUZZLE**

(76) Inventors: **Raymond D. Leech**, 725 Mason Dr.,  
Columbus, MS (US) 39701; **Reno**  
**Burr**, P.O. Box 8141, Columbus, MS  
(US) 39701

(\*\*) **Term:** **14 Years**

(21) **Appl. No.:** **29/212,365**

(22) **Filed:** **Sep. 1, 2004**

(51) **LOC (7) Cl.** ..... **21-01**

(52) **U.S. Cl.** ..... **D21/480**

(58) **Field of Search** ..... D21/300, 347,  
D21/385, 386, 470, 478-480, 483-485,  
500, 504, 505; D10/44; D19/59, 62; 273/276,  
292, 148 R, 153 R, 156, 157 R

(56) **References Cited**

**U.S. PATENT DOCUMENTS**

587,112 A	*	7/1897	Alston	.....	273/157 R
D41,554 S	*	7/1911	Doolittle	.....	D10/44
1,271,997 A	*	7/1918	Benedict	.....	273/157 R
1,533,507 A	*	4/1925	May	.....	273/157 R
1,630,530 A	*	5/1927	Fryer	.....	273/157 R
D166,043 S	*	2/1952	Miller	.....	D10/44
3,949,994 A		3/1976	Knarr		
4,026,087 A		5/1977	White		

4,063,725 A		12/1977	Snyder		
D262,389 S	*	12/1981	Bogue	.....	D21/480
D265,919 S	*	8/1982	Spiecker	.....	D21/480
D275,301 S	*	8/1984	Cloud	.....	D21/480
4,531,741 A	*	7/1985	Eskins	.....	273/157 R
4,913,436 A	*	4/1990	Li	.....	273/157 R
5,660,387 A		8/1997	Stokes		
D432,592 S	*	10/2000	Yip	.....	D21/480

\* cited by examiner

*Primary Examiner*—Catherine Tuttle

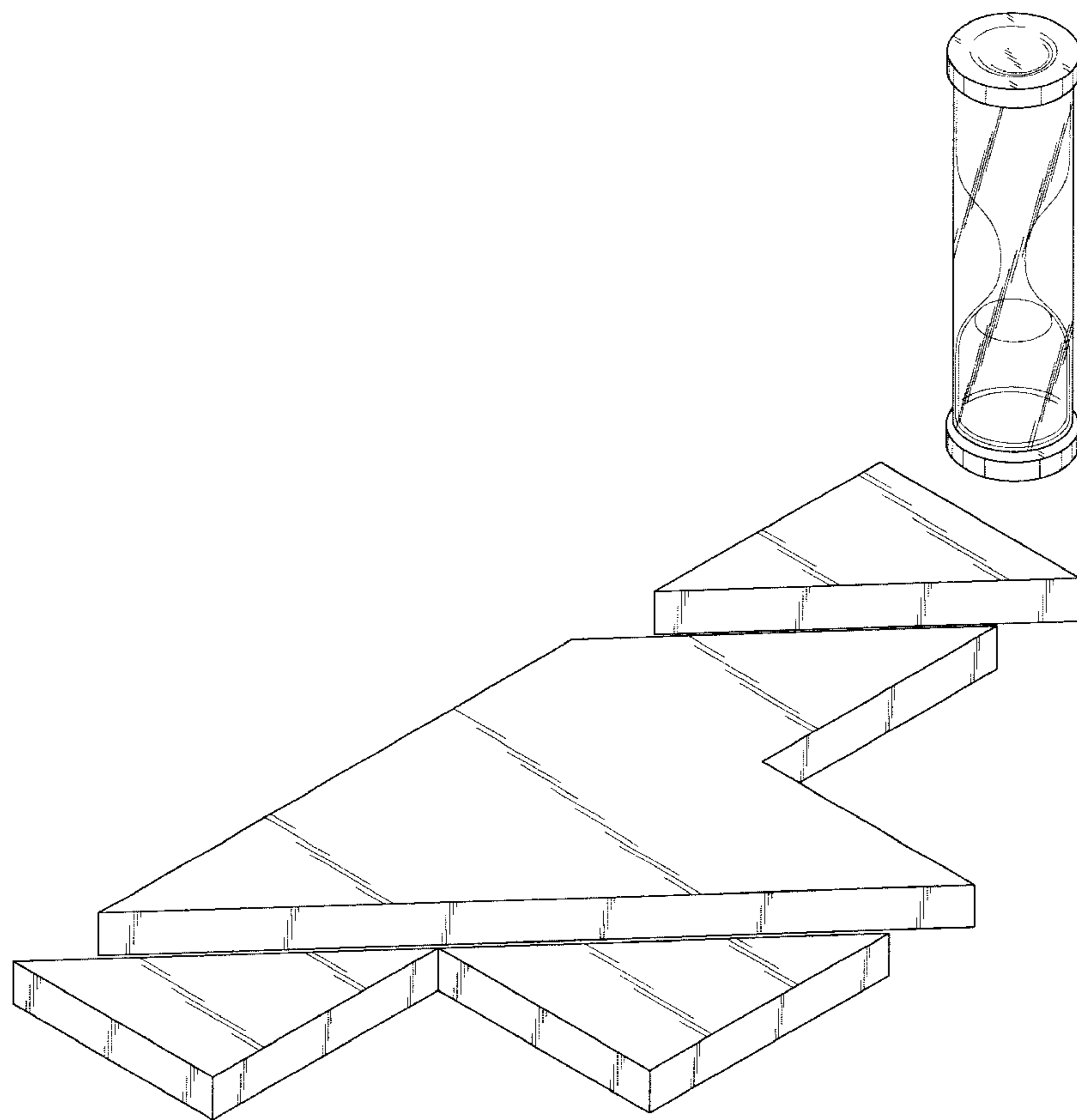
(57) **CLAIM**

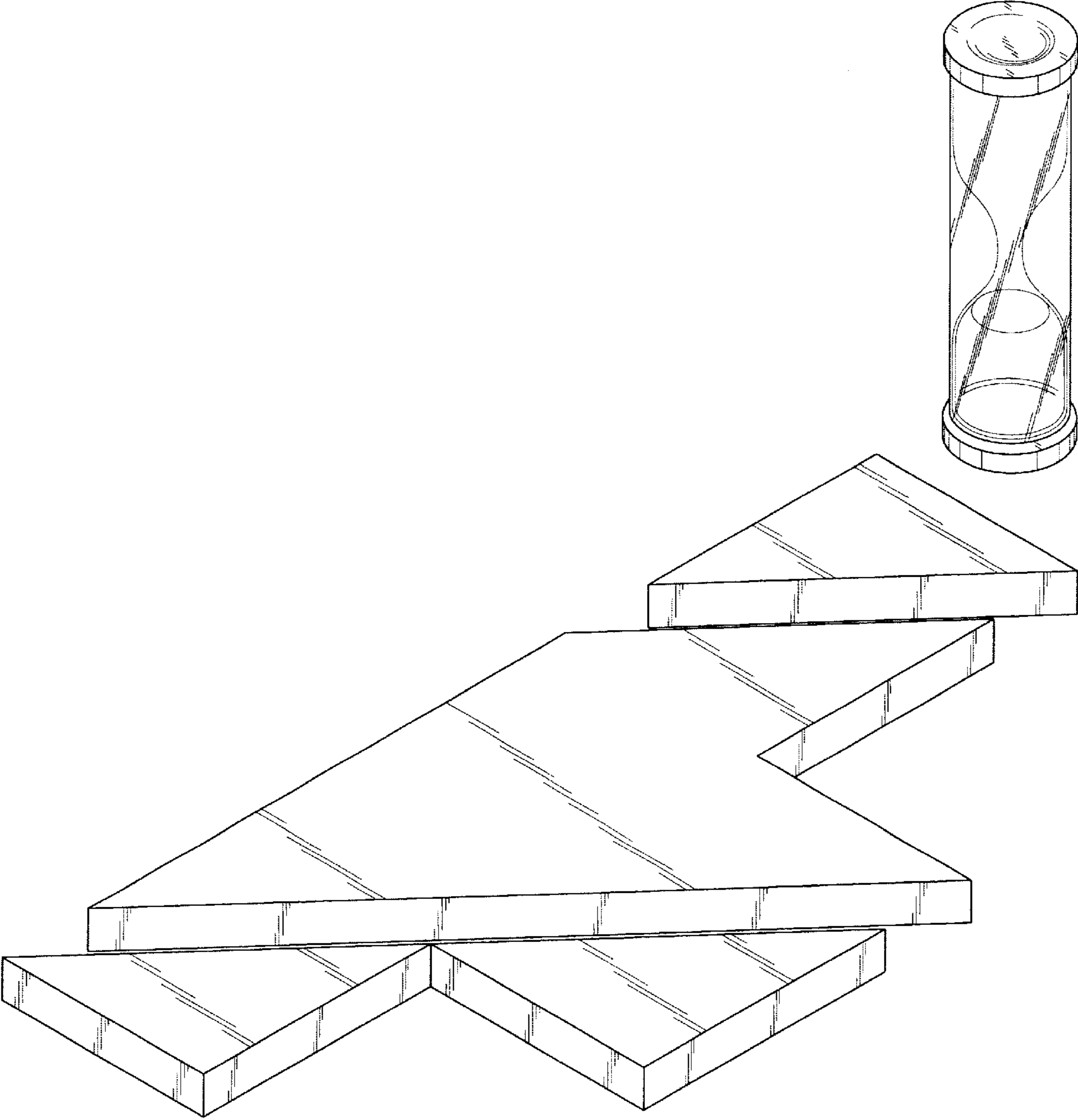
The ornamental design for the puzzle, as shown and described.

**DESCRIPTION**

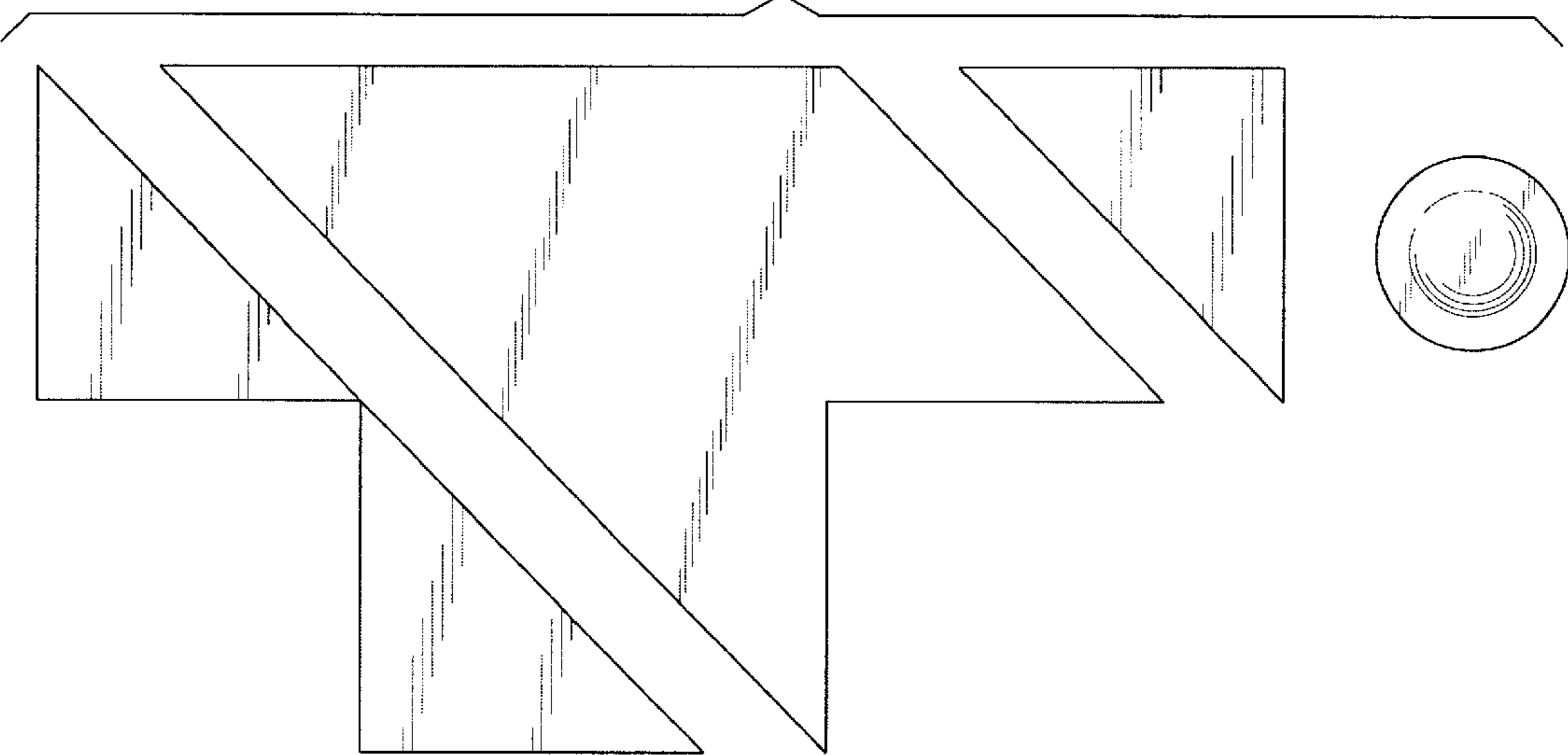
FIG. 1 is a perspective view of the puzzle, in accordance with the invention;  
 FIG. 2 is a top plan view thereof;  
 FIG. 3 is a left side view showing the components of the design spaced vertically for ease of illustration;  
 FIG. 4 is a right side view of FIG. 3;  
 FIG. 5 is a rear view showing the design components spaced as in FIGS. 3-4, except with the uppermost component superimposed on the nearest planar component; and,  
 FIG. 6 is a front view of FIG. 5.

**1 Claim, 4 Drawing Sheets**

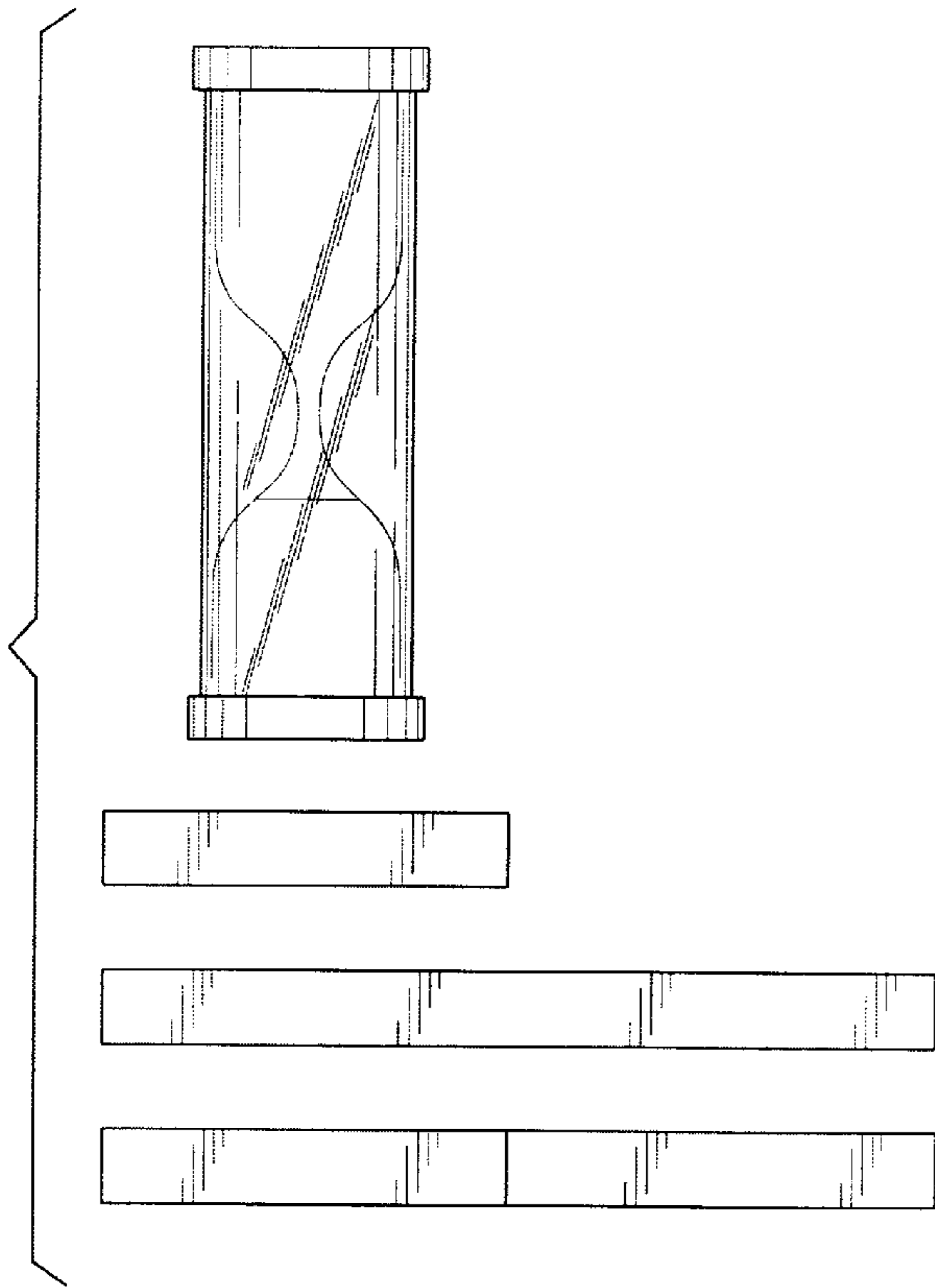




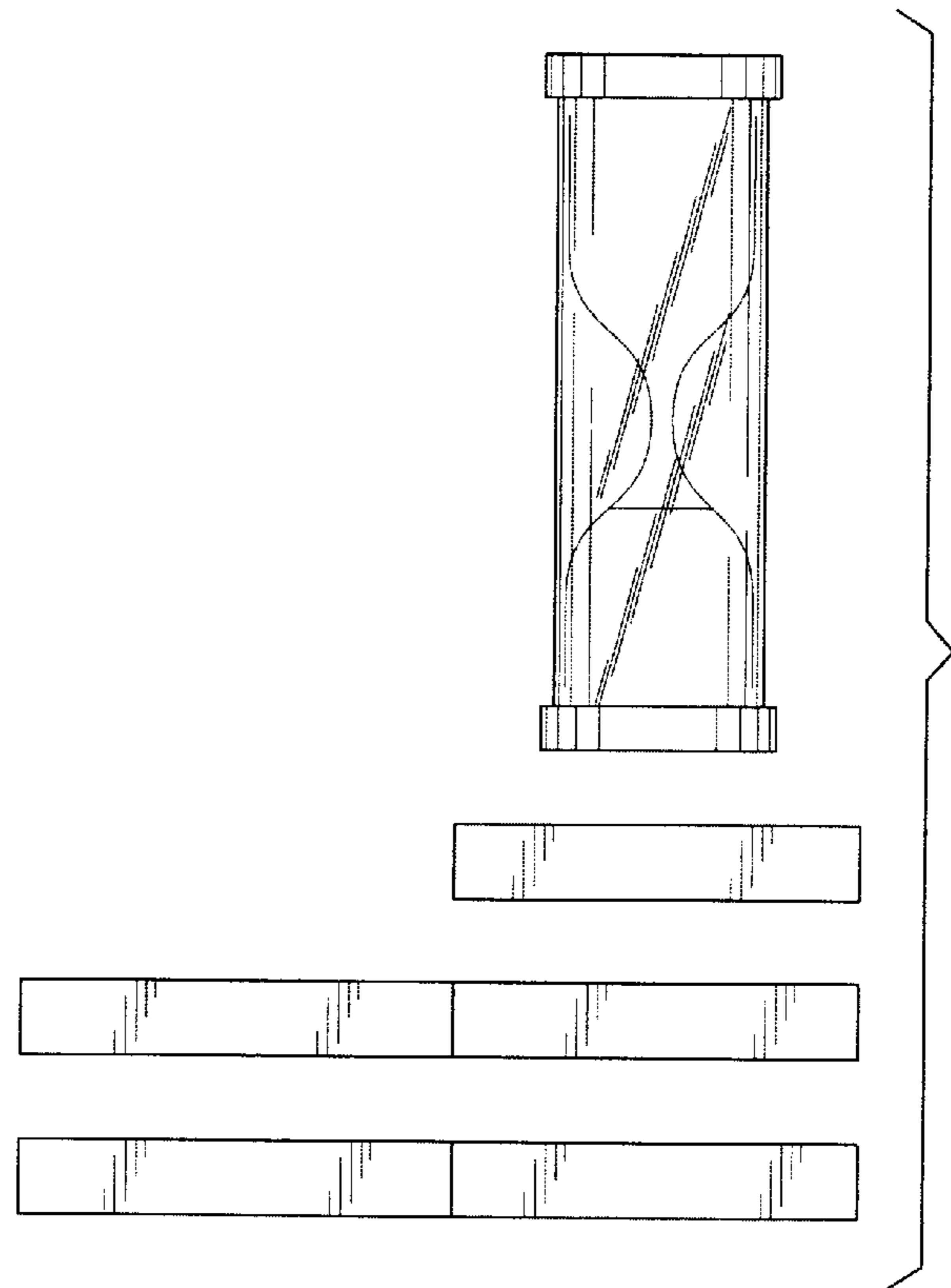
**Fig. 1**



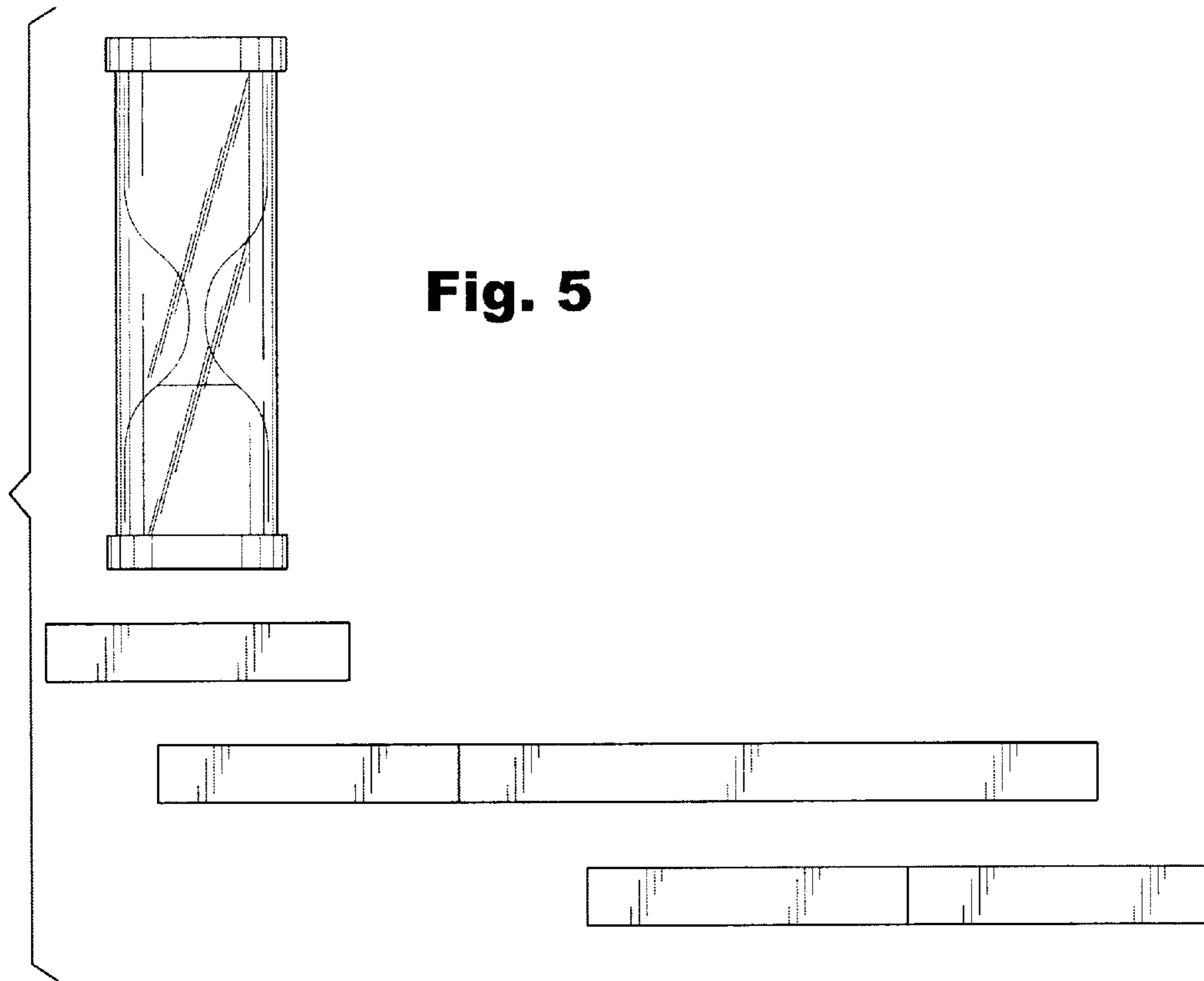
**Fig. 2**



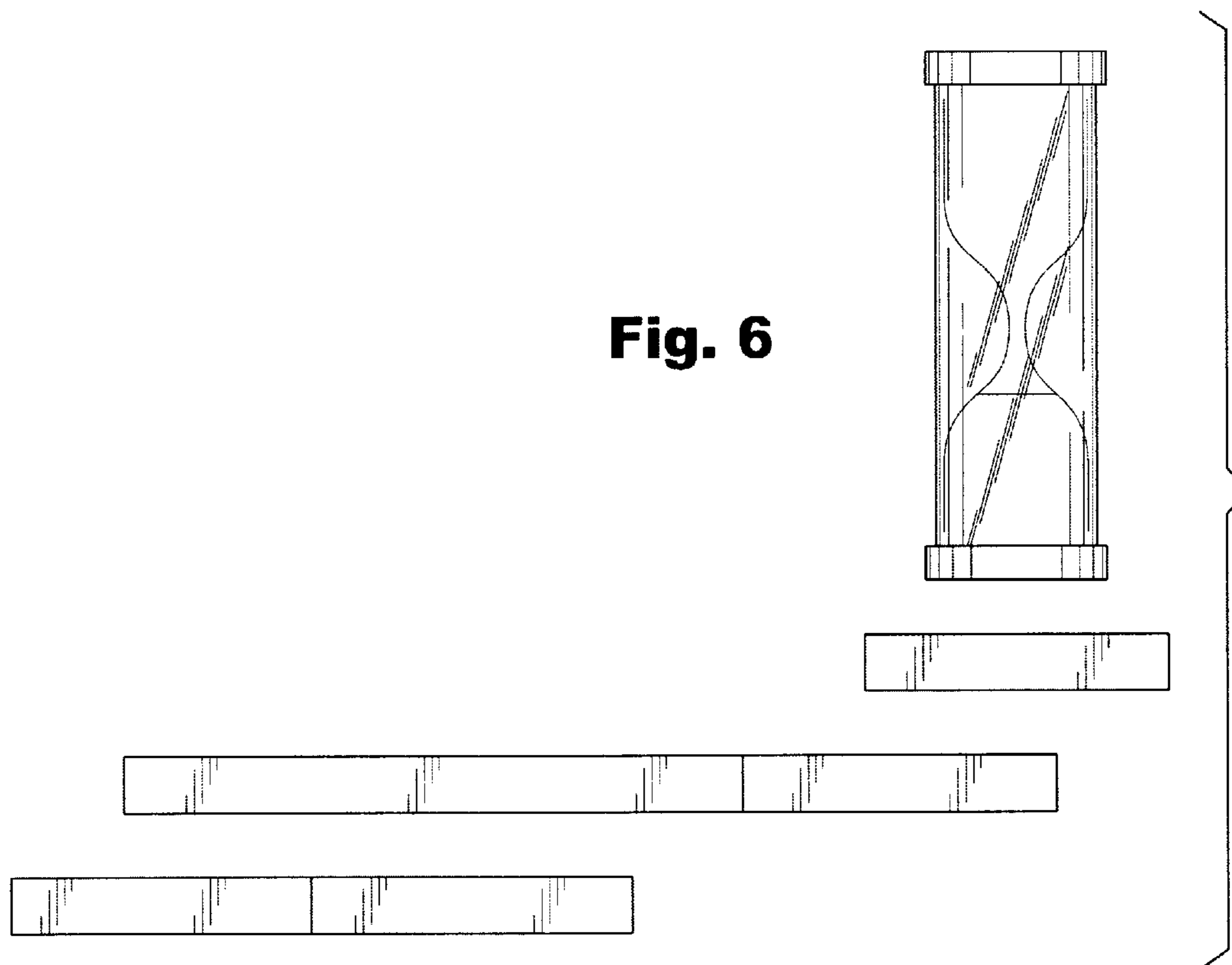
**Fig. 3**



**Fig. 4**



**Fig. 5**



**Fig. 6**