

US00D505157S

(12) **United States Design Patent**  
**Fan**

(10) **Patent No.:** **US D505,157 S**

(45) **Date of Patent:** **\*\* May 17, 2005**

(54) **BLACKBOARD ERASER AND DUST COLLECTER**

4,742,594 A \* 5/1988 Chen ..... 15/98  
4,941,225 A \* 7/1990 Liao ..... 15/98  
D366,670 S \* 1/1996 Huh ..... D19/53  
6,772,472 B2 \* 8/2004 Wang ..... 15/344

(76) Inventor: **Chen-Lang Fan**, 2Fl., No. 13, Alley  
14, Lane 112, Guoguang St., Junghe  
City, Taipei (TW), 235

\* cited by examiner

(\*\*) Term: **14 Years**

*Primary Examiner*—Martie K. Holtje  
(74) *Attorney, Agent, or Firm*—Rabin & Berdo, P.C.

(21) Appl. No.: **29/205,991**

(57) **CLAIM**

(22) Filed: **May 25, 2004**

The ornamental design for a blackboard eraser and dust collector, as shown and described.

(51) **LOC (7) Cl.** ..... **19-06**

(52) **U.S. Cl.** ..... **D19/53**

(58) **Field of Search** ..... D19/35, 36, 53,  
D19/52, 65, 99, 100; 15/3, 53, 98, 114,  
27, 344, 347, 398, 403, 410, 424, 21.1;  
434/417

**DESCRIPTION**

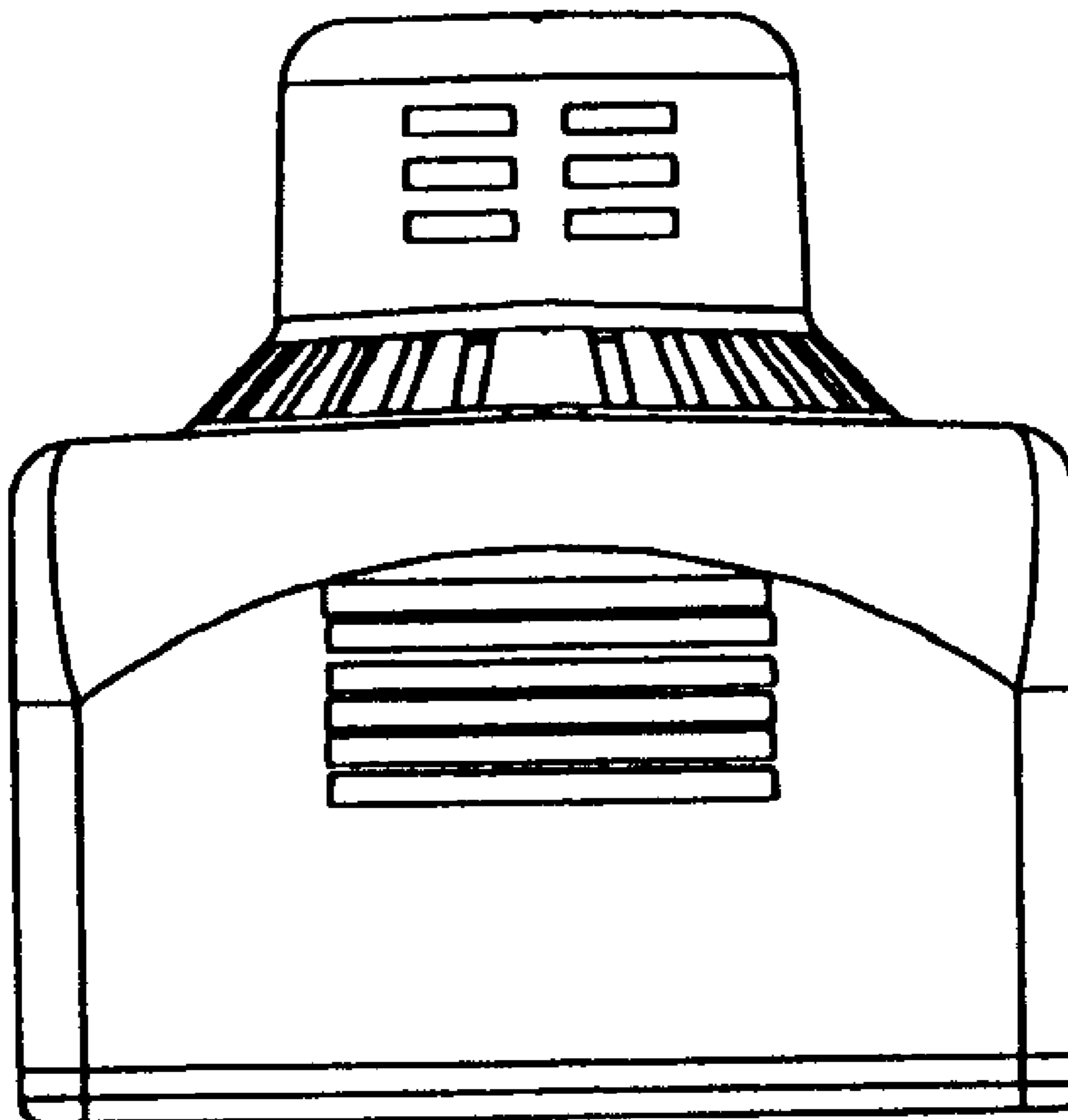
FIG. 1 is a front view of a blackboard eraser and dust collector showing my new design;  
FIG. 2 is a rear view thereof;  
FIG. 3 is a left side view thereof;  
FIG. 4 is a right side view thereof;  
FIG. 5 is a top view thereof;  
FIG. 6 is a bottom view thereof; and,  
FIG. 7 is a perspective view thereof.

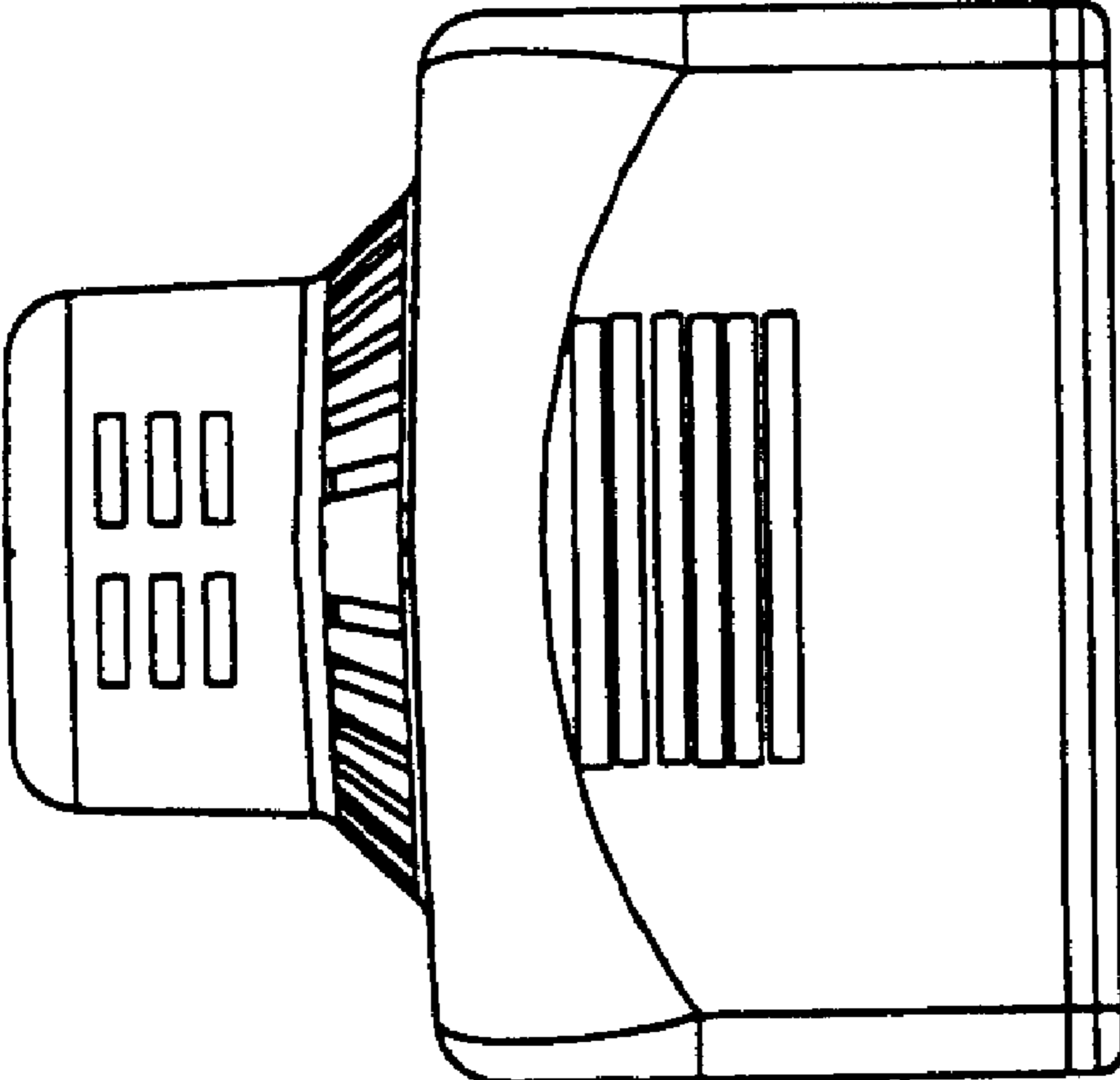
(56) **References Cited**

**U.S. PATENT DOCUMENTS**

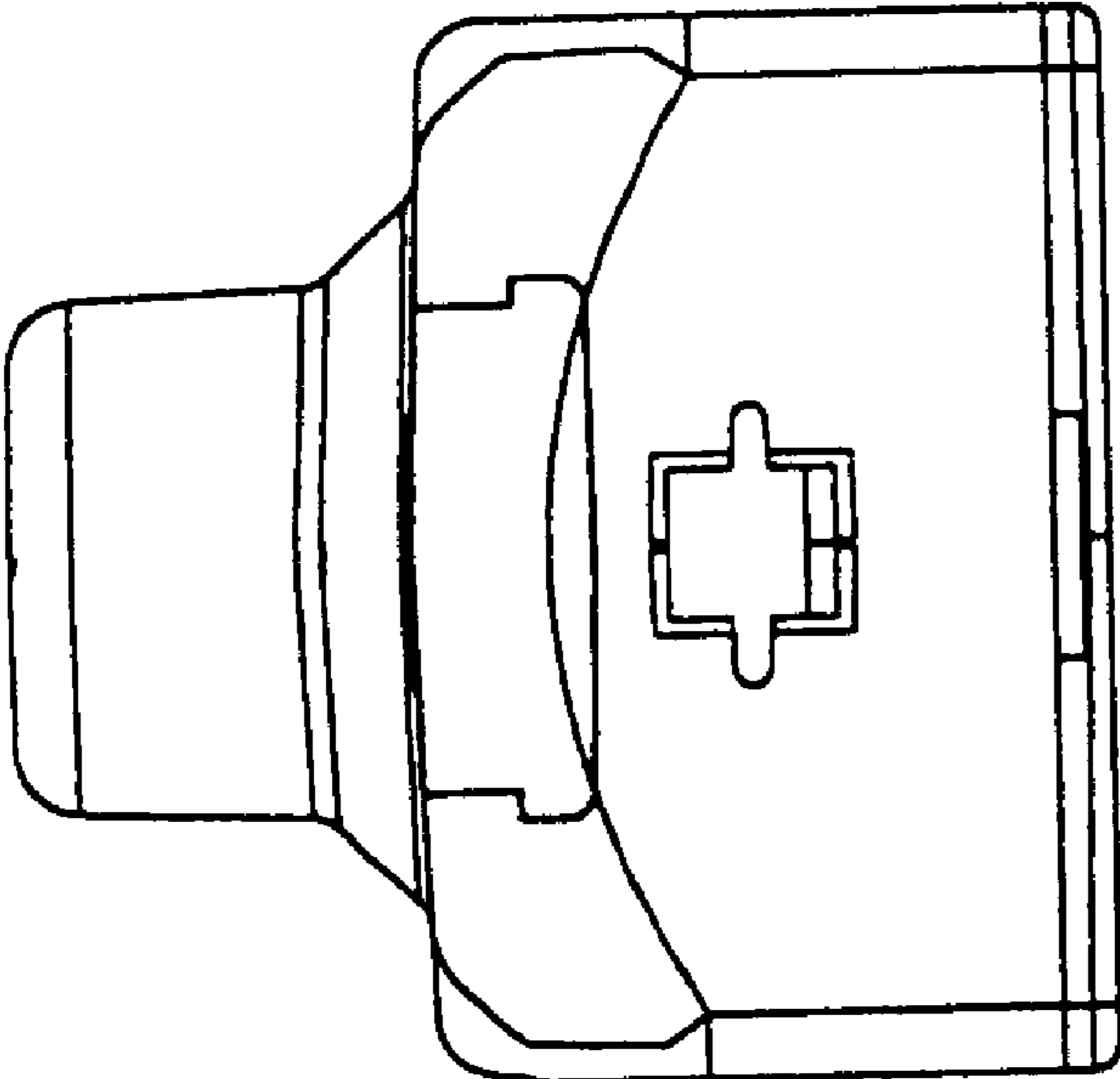
3,986,224 A \* 10/1976 Yang ..... 15/114  
4,204,298 A \* 5/1980 Handa et al. .... 15/344  
4,462,134 A \* 7/1984 Wang ..... 15/98

**1 Claim, 7 Drawing Sheets**

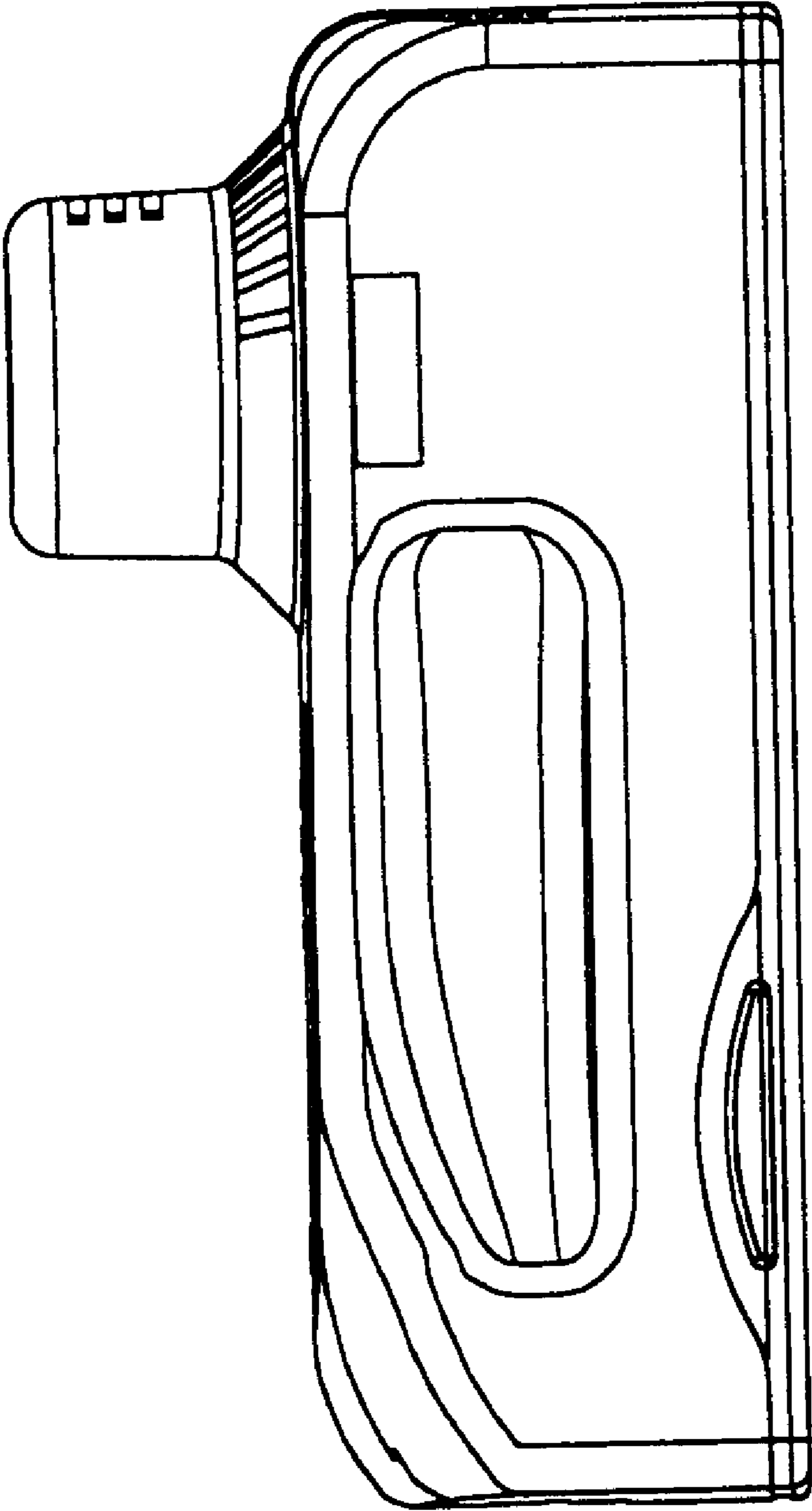




**FIG. 1**



**FIG. 2**



**FIG.3**

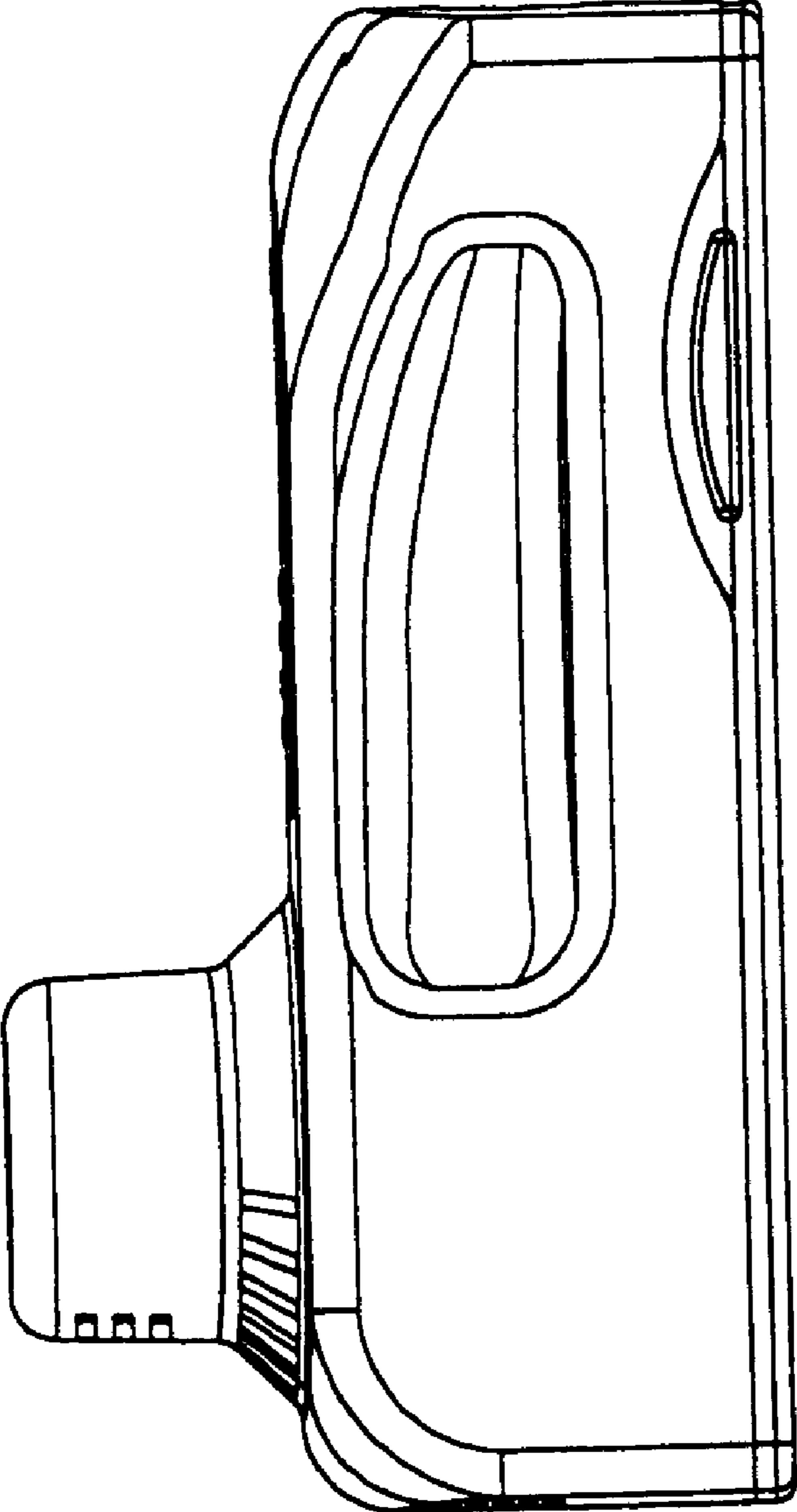


FIG.4

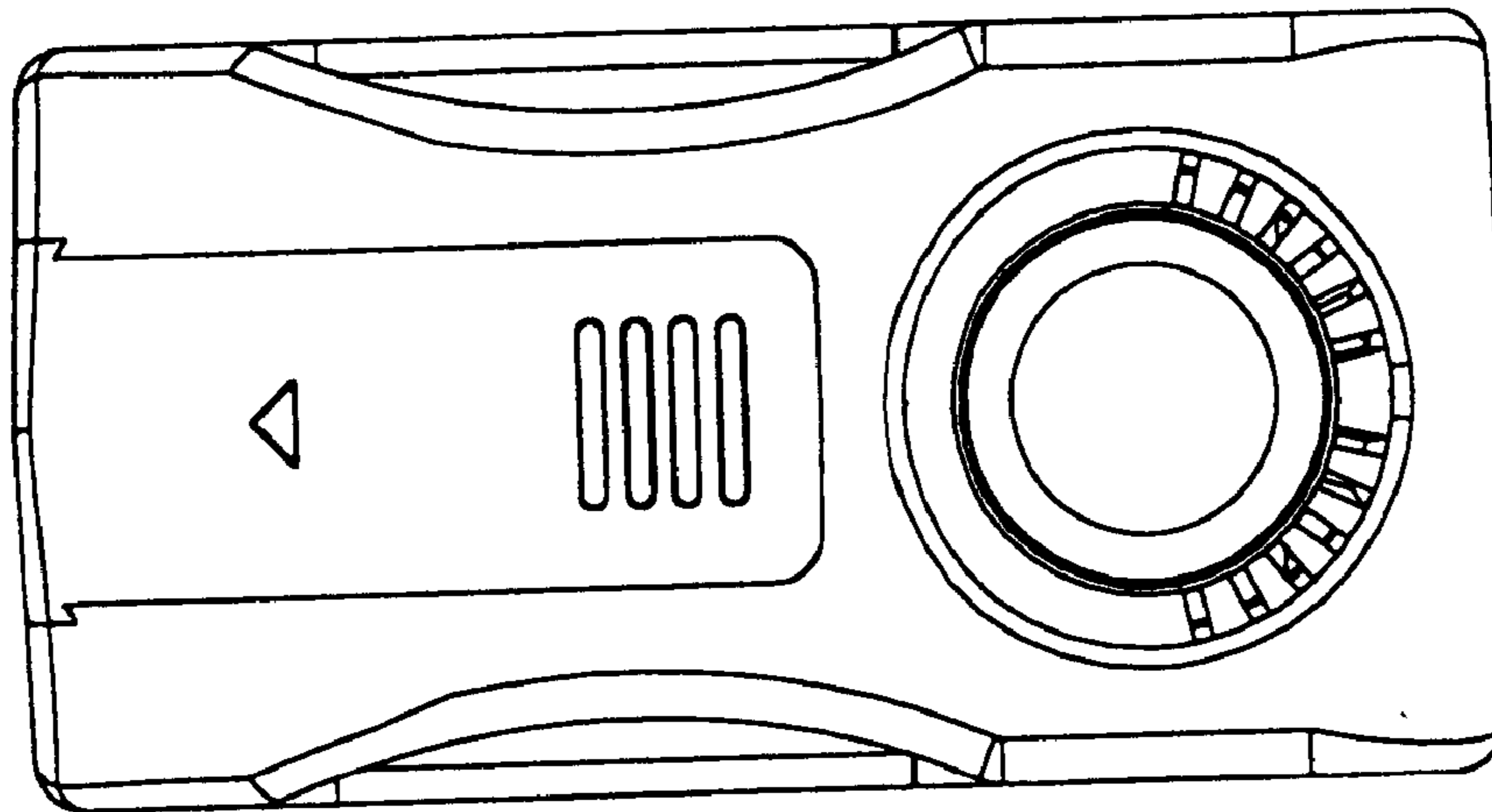


FIG.5

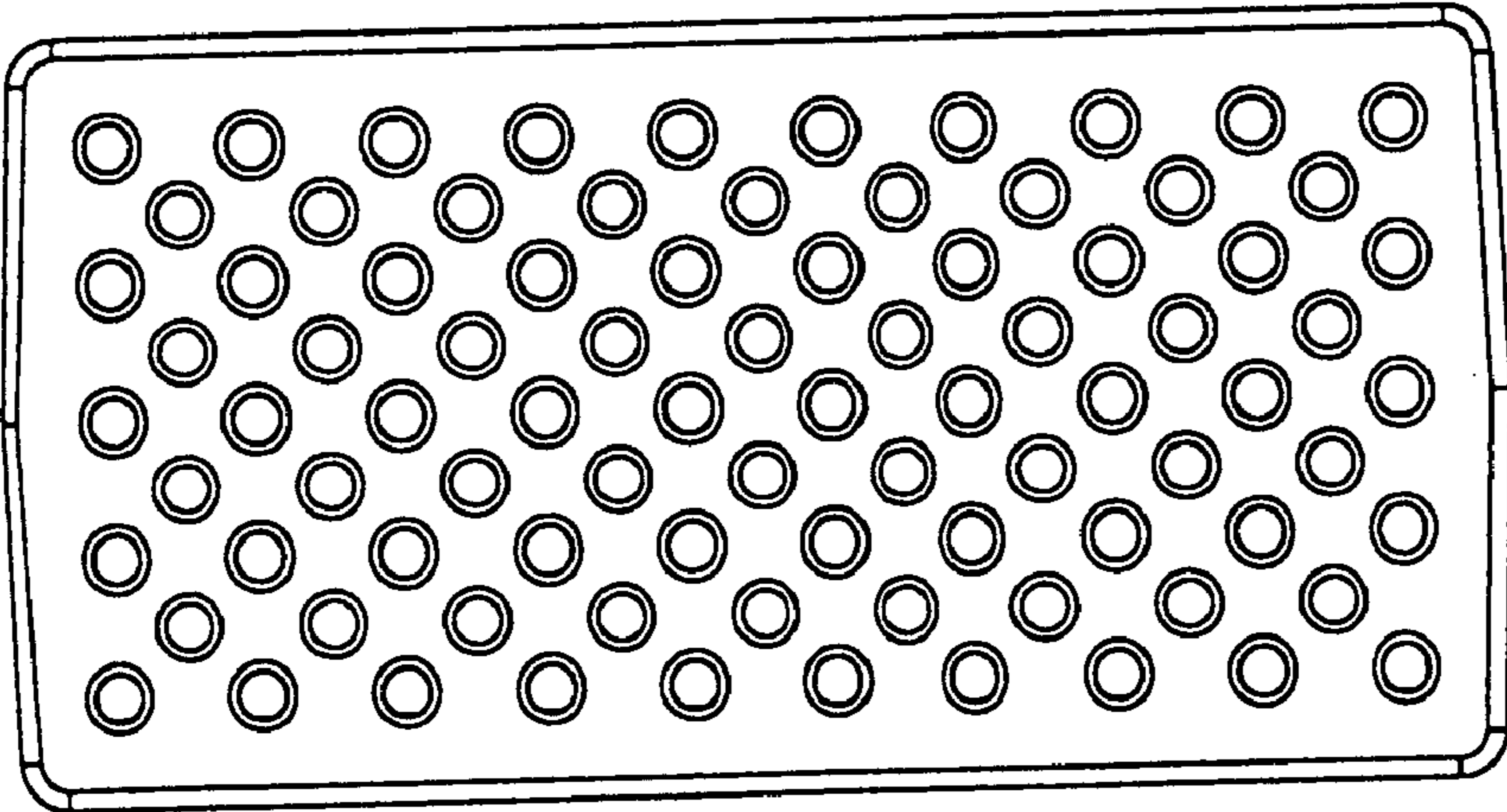


FIG.6

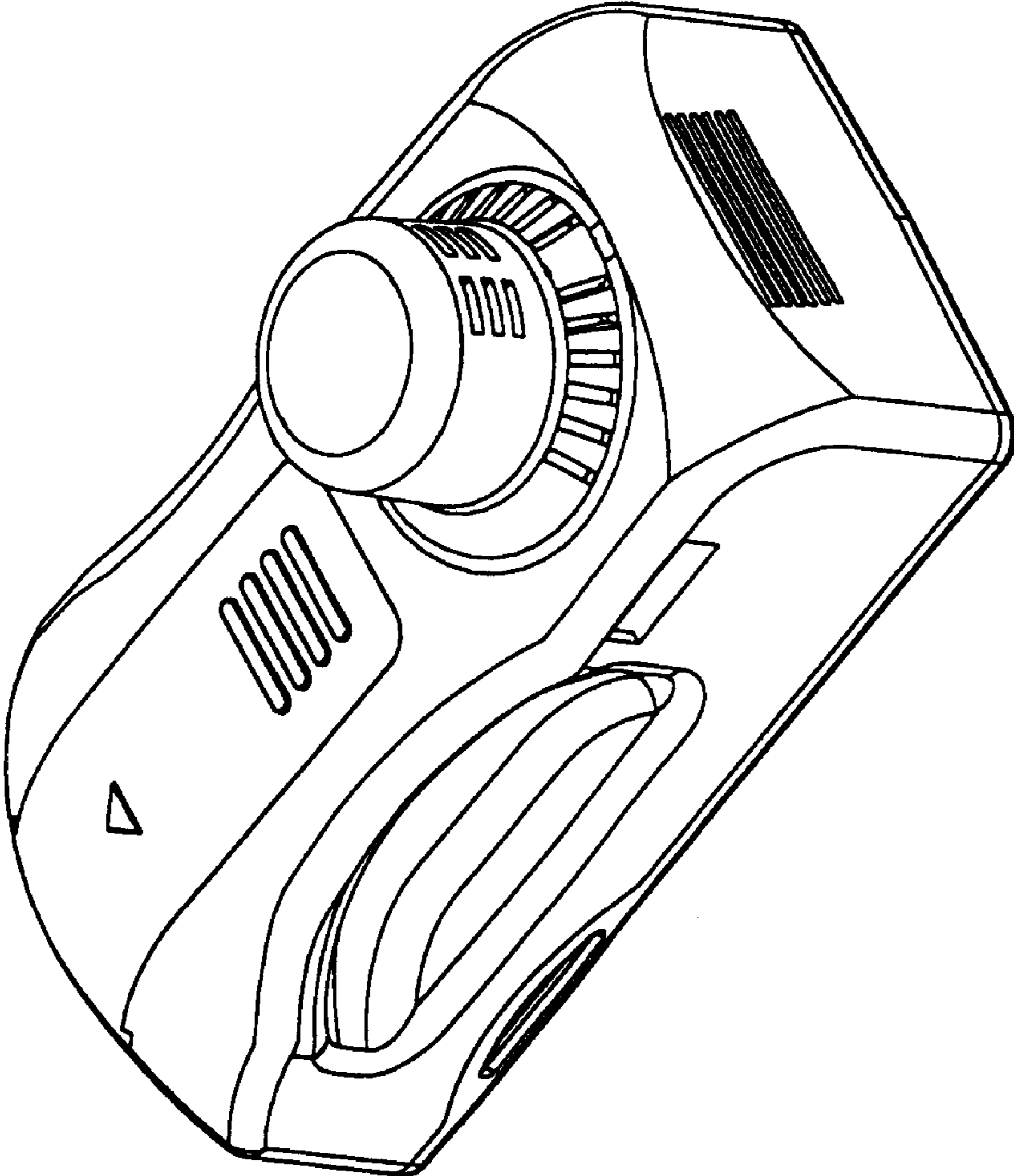


FIG. 7