

US00D505153S

(12) **United States Design Patent** (10) **Patent No.:** **US D505,153 S**  
**DeWitt et al.** (45) **Date of Patent:** **\*\* May 17, 2005**

(54) **MAIL PROCESSING DEVICE**

(75) Inventors: **Robert R. DeWitt**, Marlton, NJ (US);  
**John R. Forbes**, Media, PA (US)

(73) Assignee: **Opex Corporation**, Moorestown, NJ (US)

(\*\*) Term: **14 Years**

(21) Appl. No.: **29/174,586**

(22) Filed: **Jan. 21, 2003**

(51) **LOC (7) Cl.** ..... **18-04**

(52) **U.S. Cl.** ..... **D18/34**

(58) **Field of Search** ..... D18/50, 99, 34;  
D15/199, 145, 147; 209/601

(56) **References Cited**

**U.S. PATENT DOCUMENTS**

D176,946 S	*	2/1956	Bain	.....	D14/304
D230,483 S	*	2/1974	Bain	.....	D14/304
D265,200 S	*	6/1982	Pedersen et al.	.....	D14/304
4,576,287 A	*	3/1986	Bingham et al.	.....	209/601
D300,747 S	*	4/1989	Bain	.....	D15/147
D301,150 S	*	5/1989	Bain	.....	D15/147
D332,105 S	*	12/1992	Perry et al.	.....	D15/199
D367,471 S	*	2/1996	Brown	.....	D14/304

\* cited by examiner

*Primary Examiner*—Charles A. Rademaker  
(74) *Attorney, Agent, or Firm*—Stephen H. Eland; Dann, Dorfman, Herrell and Skillman

(57) **CLAIM**

The ornamental design for a mail processing device, as shown and described.

**DESCRIPTION**

FIG. 1 is a front perspective view of a mail processing device showing our new design;

FIG. 2 is a second front perspective view of the mail processing device shown in FIG. 1;

FIG. 3 is a front elevational view of the mail processing device shown in FIG. 1;

FIG. 4 is a top plan view of the mail processing device shown in FIG. 1;

FIG. 5 is a right side view of the mail processing device shown in FIG. 1;

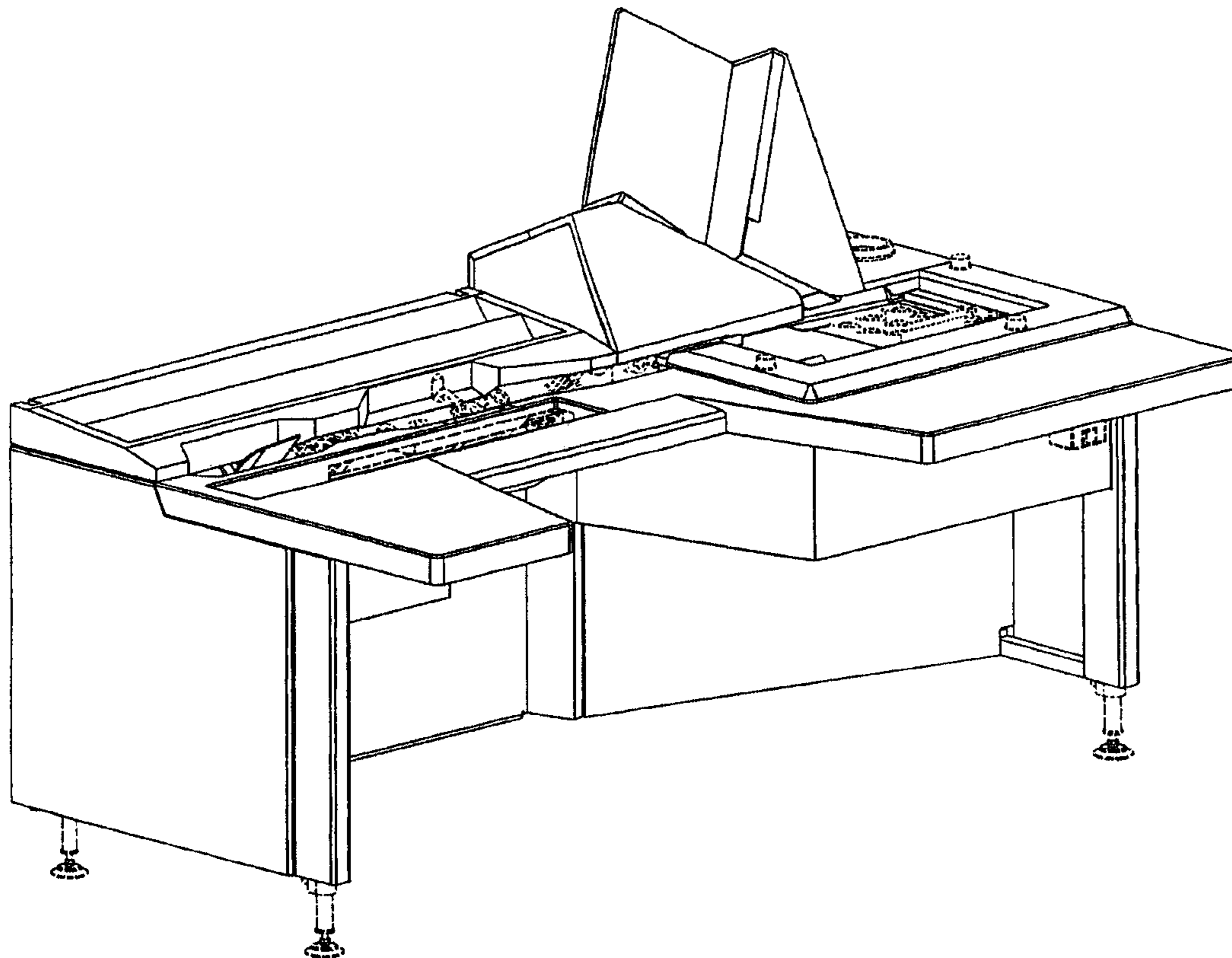
FIG. 6 is a left side view of the mail processing device shown in FIG. 1;

FIG. 7 is a back elevational view of the mail processing device shown in FIG. 1; and,

FIG. 8 is a bottom plan view of the mail processing device shown in FIG. 1.

The broken lines in FIGS. 1–8 showing environment of the apparatus is for illustrative purposes only and forms no part of the claimed design.

**1 Claim, 8 Drawing Sheets**



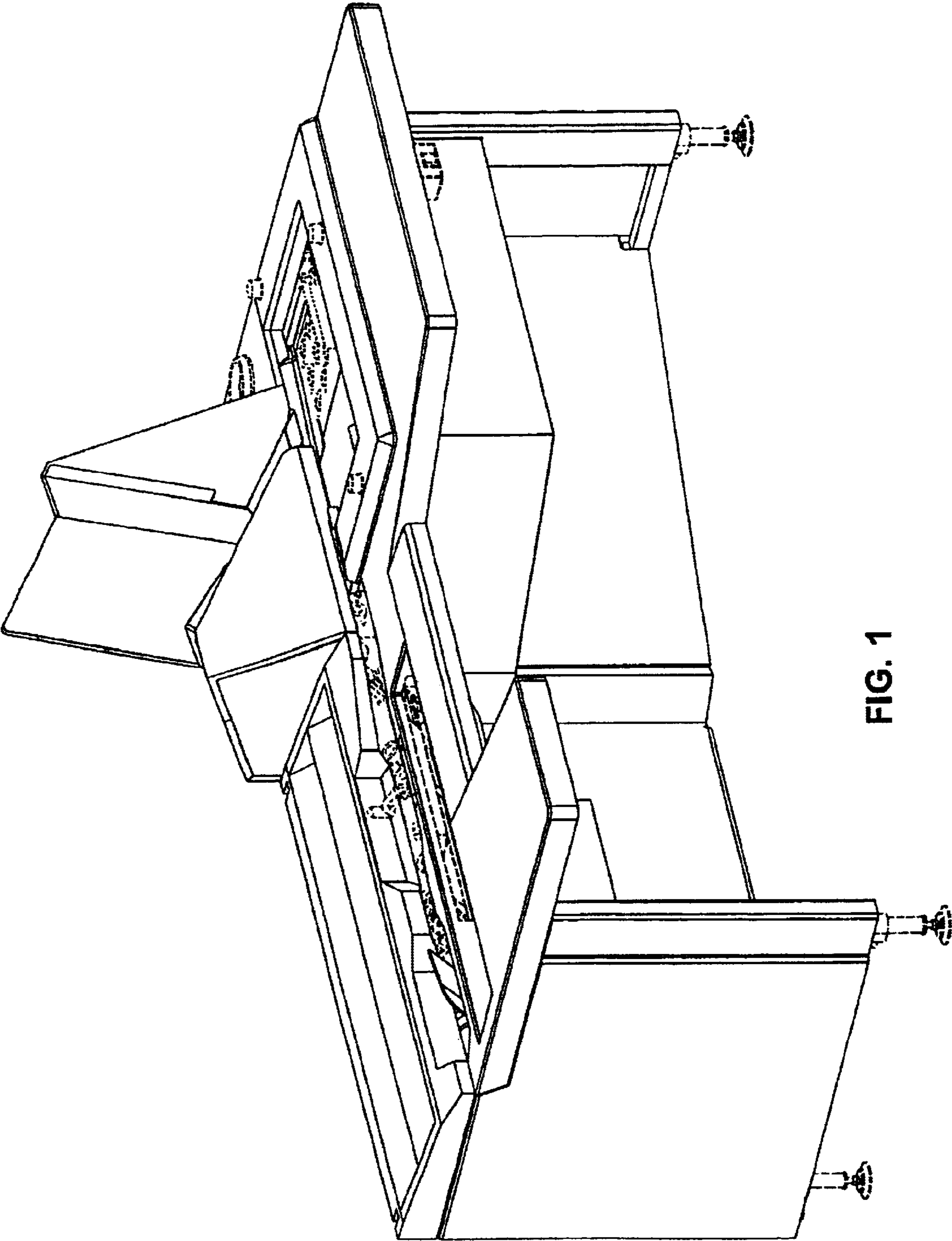


FIG. 1

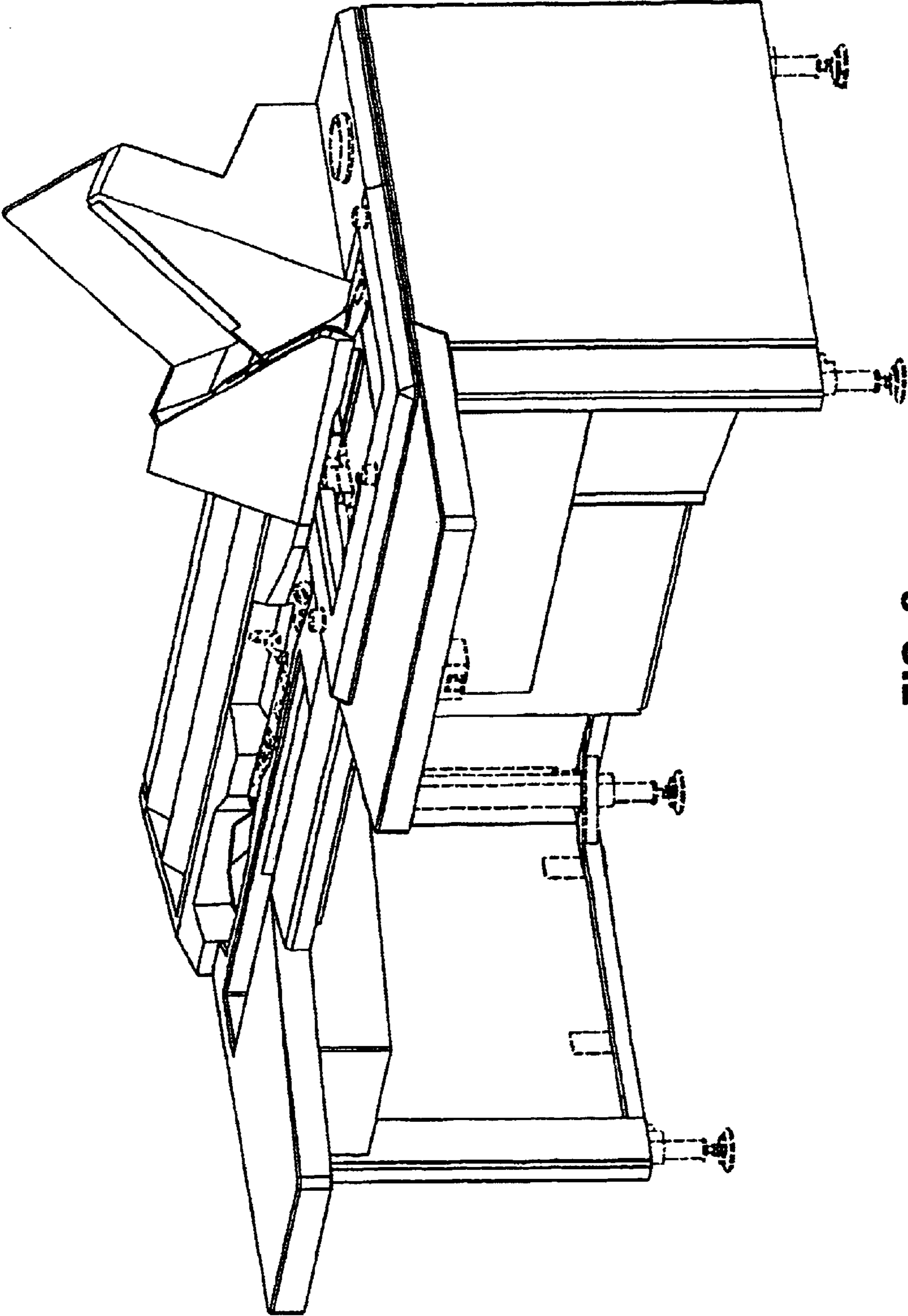


FIG. 2

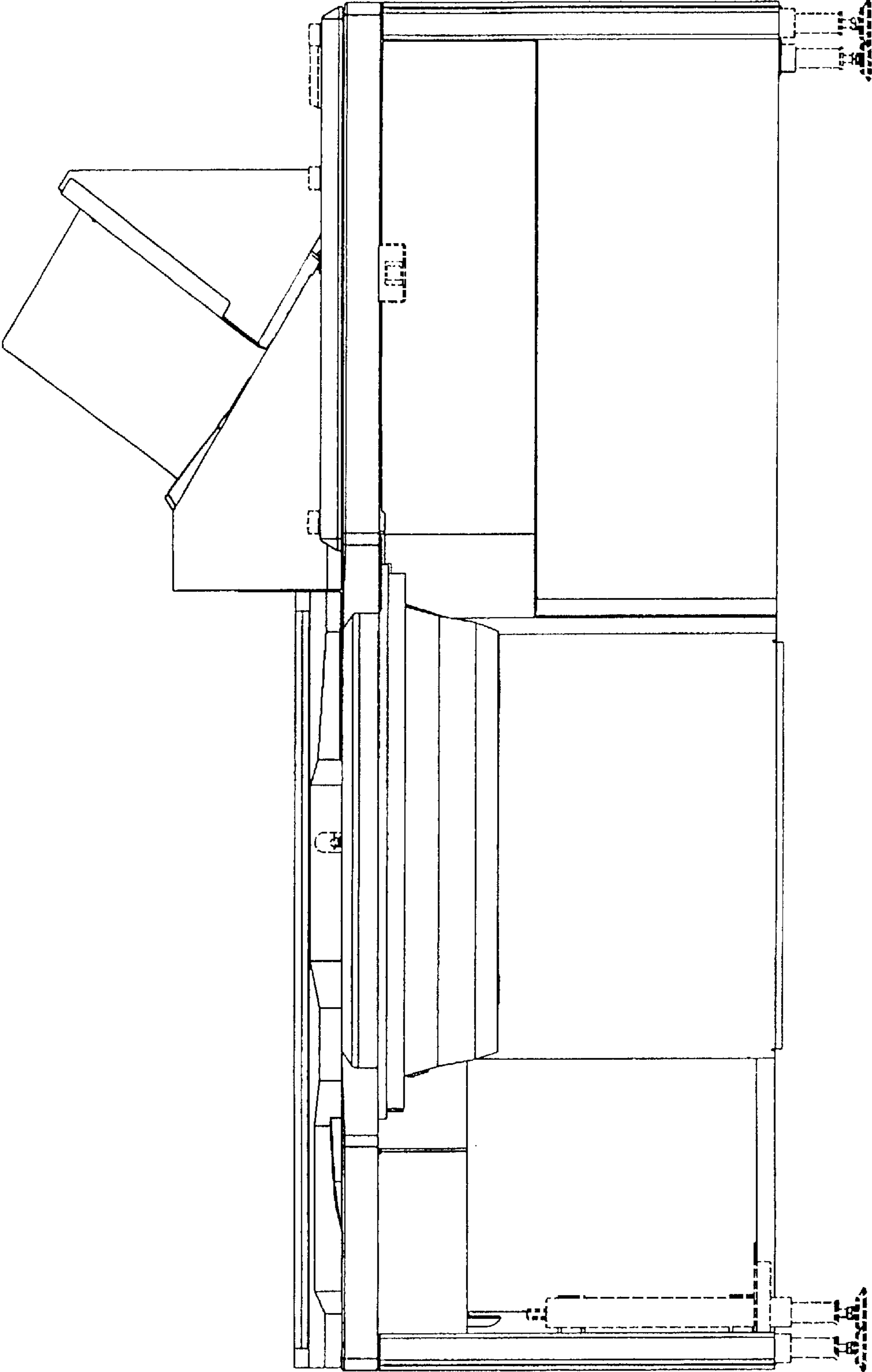


FIG. 3



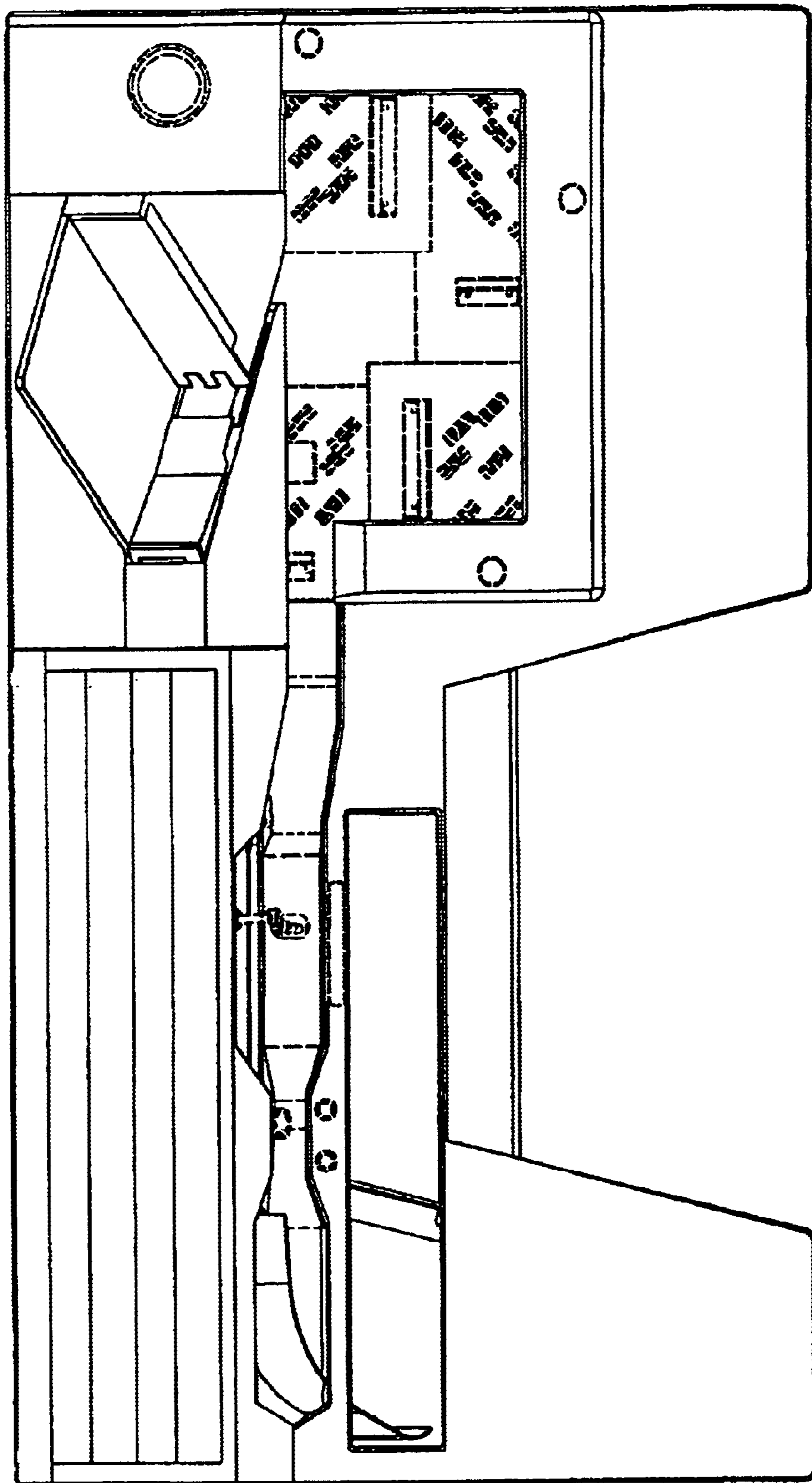


FIG. 4

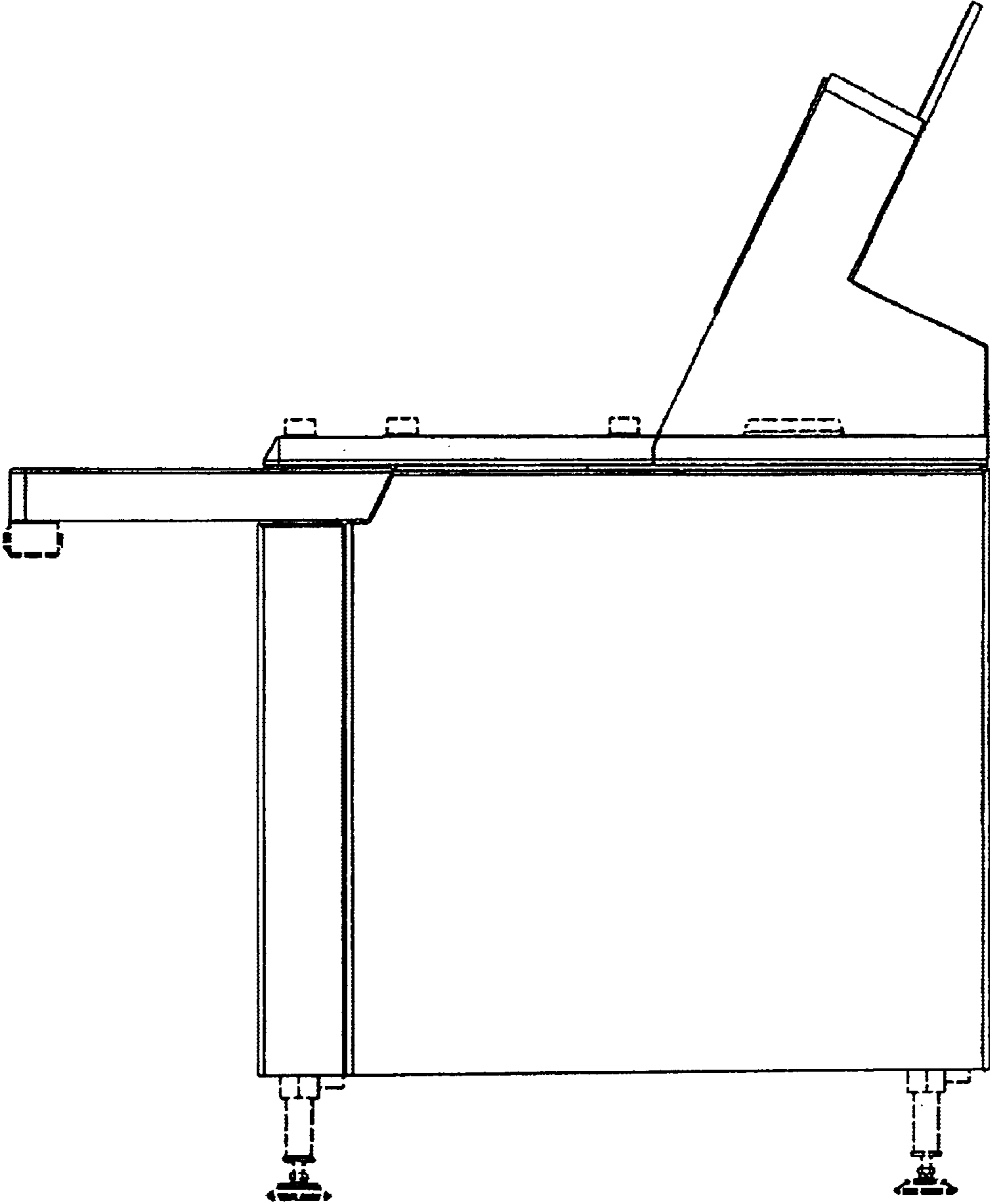


FIG. 5

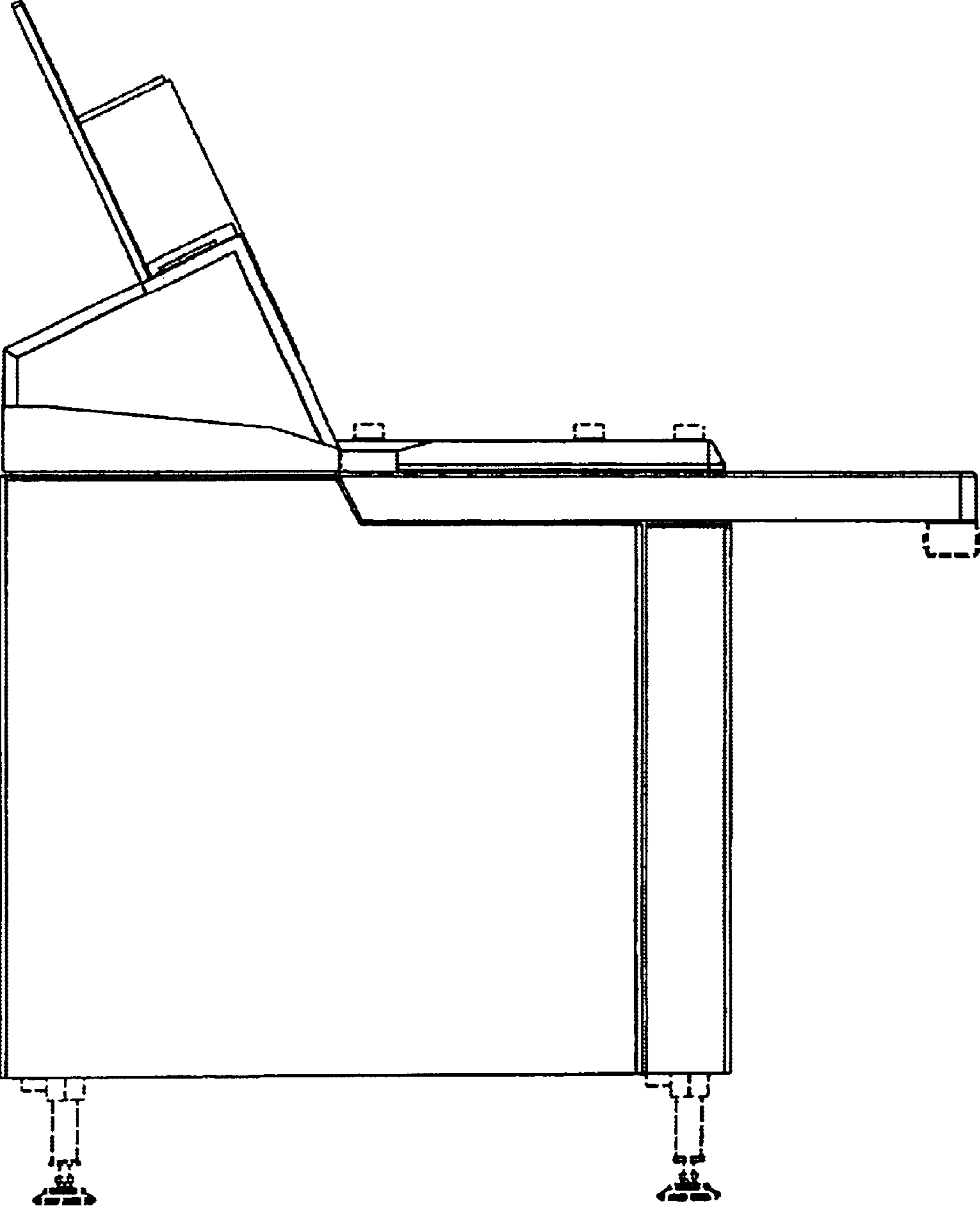


FIG. 6

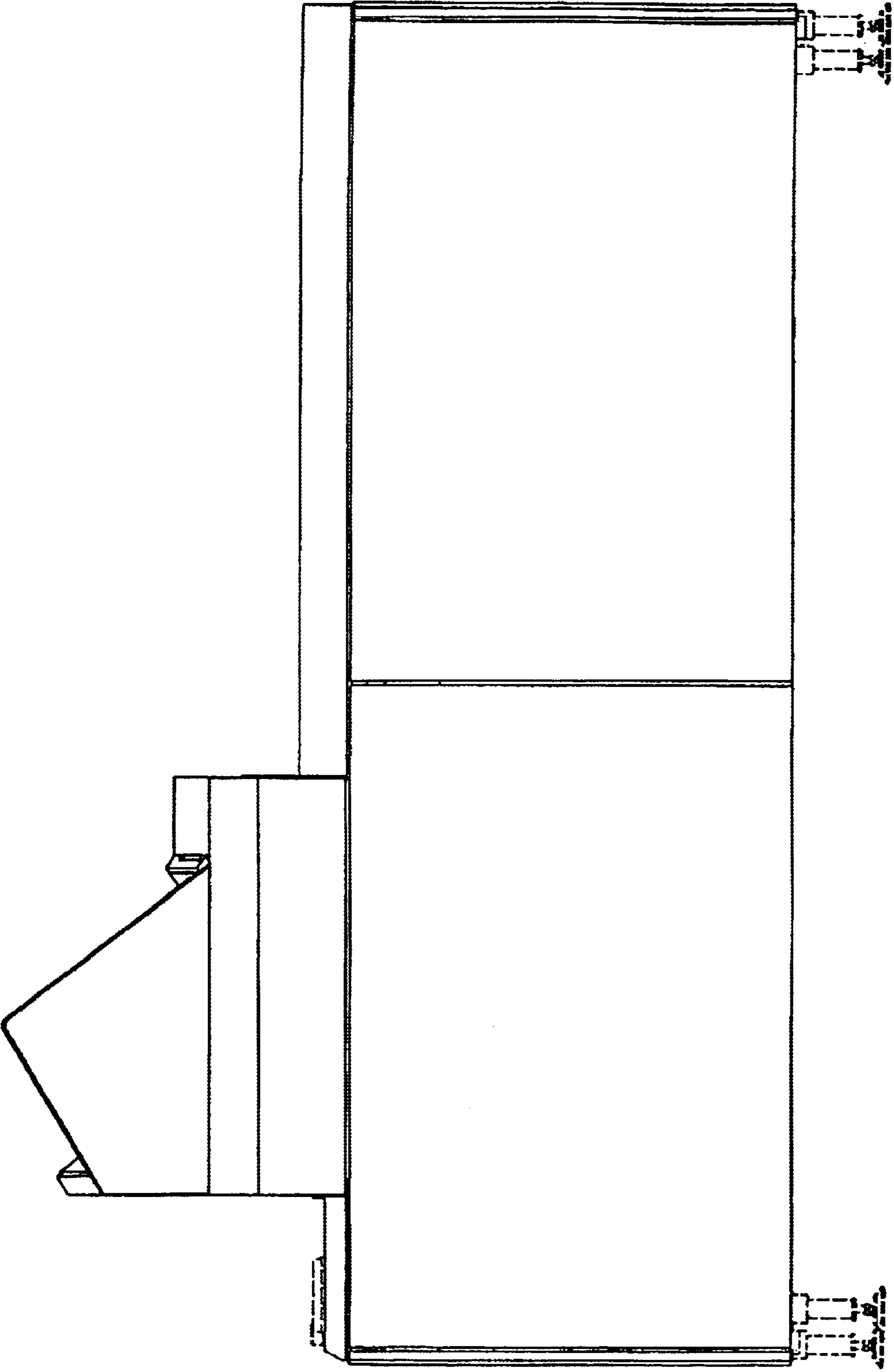


FIG. 7



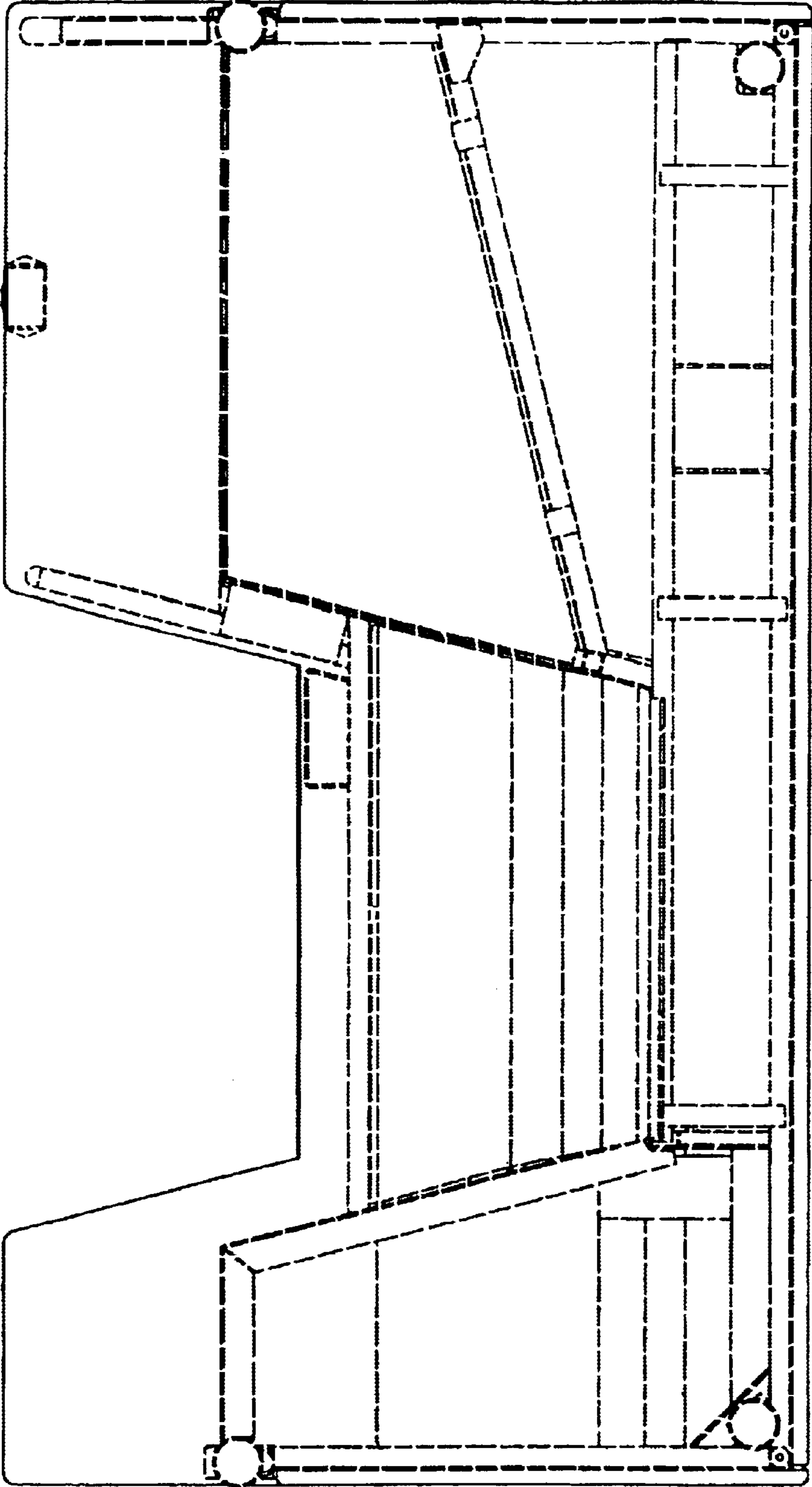


FIG. 8