

US00D505148S

(12) **United States Design Patent**
Pininfarina

(10) **Patent No.:** **US D505,148 S**

(45) **Date of Patent:** **** May 17, 2005**

(54) **ELECTRONIC PROJECTION SYSTEM**

6,755,541 B2 * 6/2004 Nakano et al. 353/119

(75) **Inventor:** **Paolo Pininfarina**, Cambiano (IT)

OTHER PUBLICATIONS

(73) **Assignee:** **3M Innovative Properties Company**,
St. Paul, MN (US)

Sony Catalog, Sony Projectors for Home Entertainment,
Oct. 2000 p. 4 (VPL-VW10HT projector).*

(**) **Term:** **14 Years**

* cited by examiner

(21) **Appl. No.:** **29/203,010**

Primary Examiner—Adir Aronovich

(22) **Filed:** **Apr. 8, 2004**

(74) *Attorney, Agent, or Firm*—Gregg H. Rosenblatt; Yen
Tong Florczak

(30) **Foreign Application Priority Data**

(57) **CLAIM**

Oct. 30, 2003 (EM) 000092887

The ornamental design for an electronic projection system,
as shown and described.

(51) **LOC (7) Cl.** **16-02**

DESCRIPTION

(52) **U.S. Cl.** **D16/230; D16/225**

(58) **Field of Search** D16/205, 208,
D16/221, 225, 229, 230, 231, 234, 235;
D21/514; 353/115, 119, 122

FIG. 1 is a front perspective view of the electronic projection
system;

FIG. 2 is a front elevation view thereof;

FIG. 3 is a rear elevation view thereof;

FIG. 4 is a top plan view thereof;

FIG. 5 is a bottom plan view thereof;

FIG. 6 is a left side elevation view thereof; and,

FIG. 7 is a right side elevation view thereof.

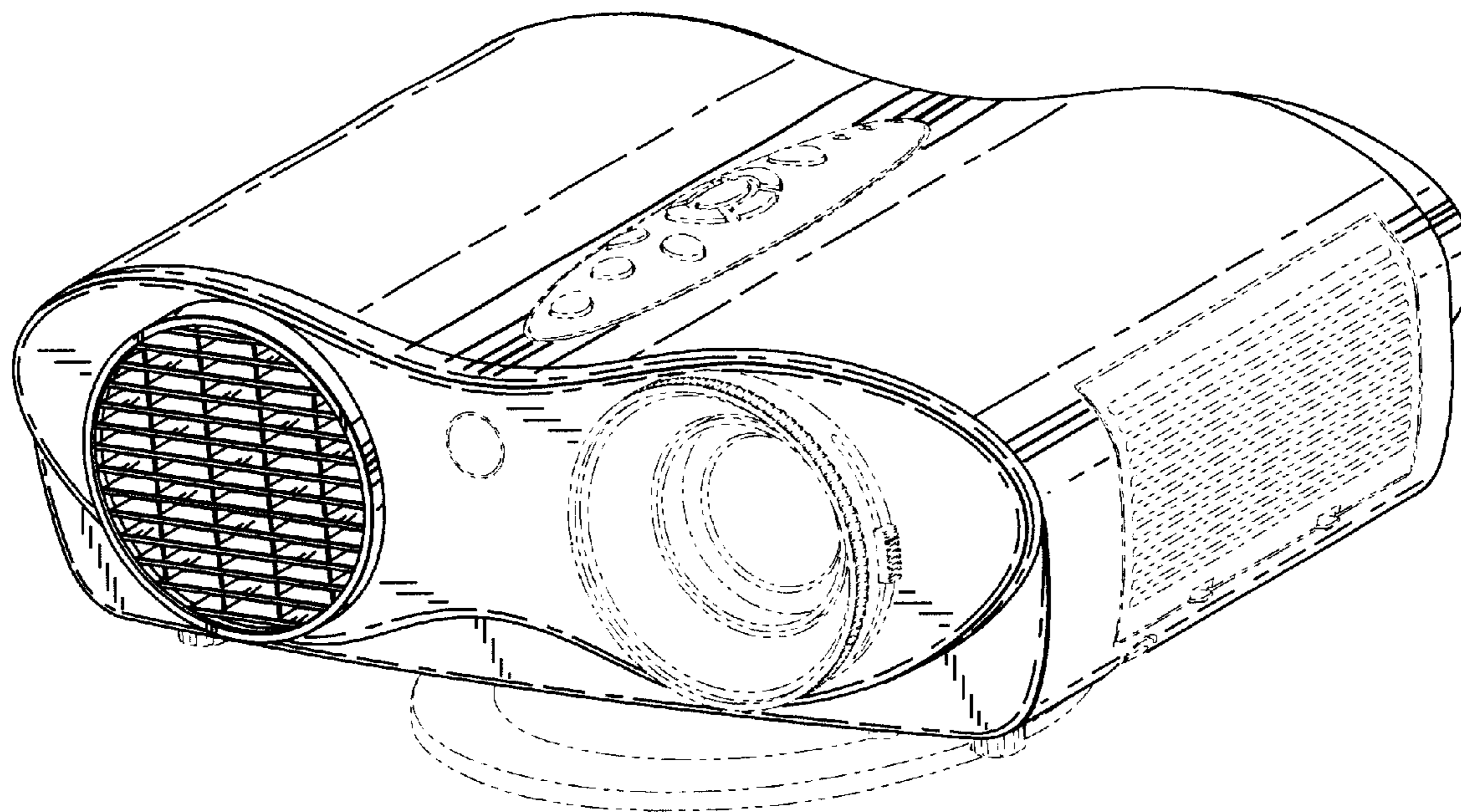
The portions of the article in broken lines are shown for
illustrative purposes only and form no part of the claimed
design.

(56) **References Cited**

U.S. PATENT DOCUMENTS

| | | | | | |
|------------|---|---------|-----------------|-------|---------|
| D343,849 S | * | 2/1994 | Miyahara | | D16/225 |
| D387,795 S | * | 12/1997 | Sakamoto | | D16/231 |
| D466,143 S | * | 11/2002 | Torikai | | D16/230 |
| D470,525 S | * | 2/2003 | Nakayama et al. | | D16/231 |
| D475,389 S | * | 6/2003 | Kurokawa | | D16/230 |
| D480,409 S | * | 10/2003 | Wang et al. | | D16/230 |
| D492,338 S | * | 6/2004 | Ooshima | | D16/230 |

1 Claim, 3 Drawing Sheets



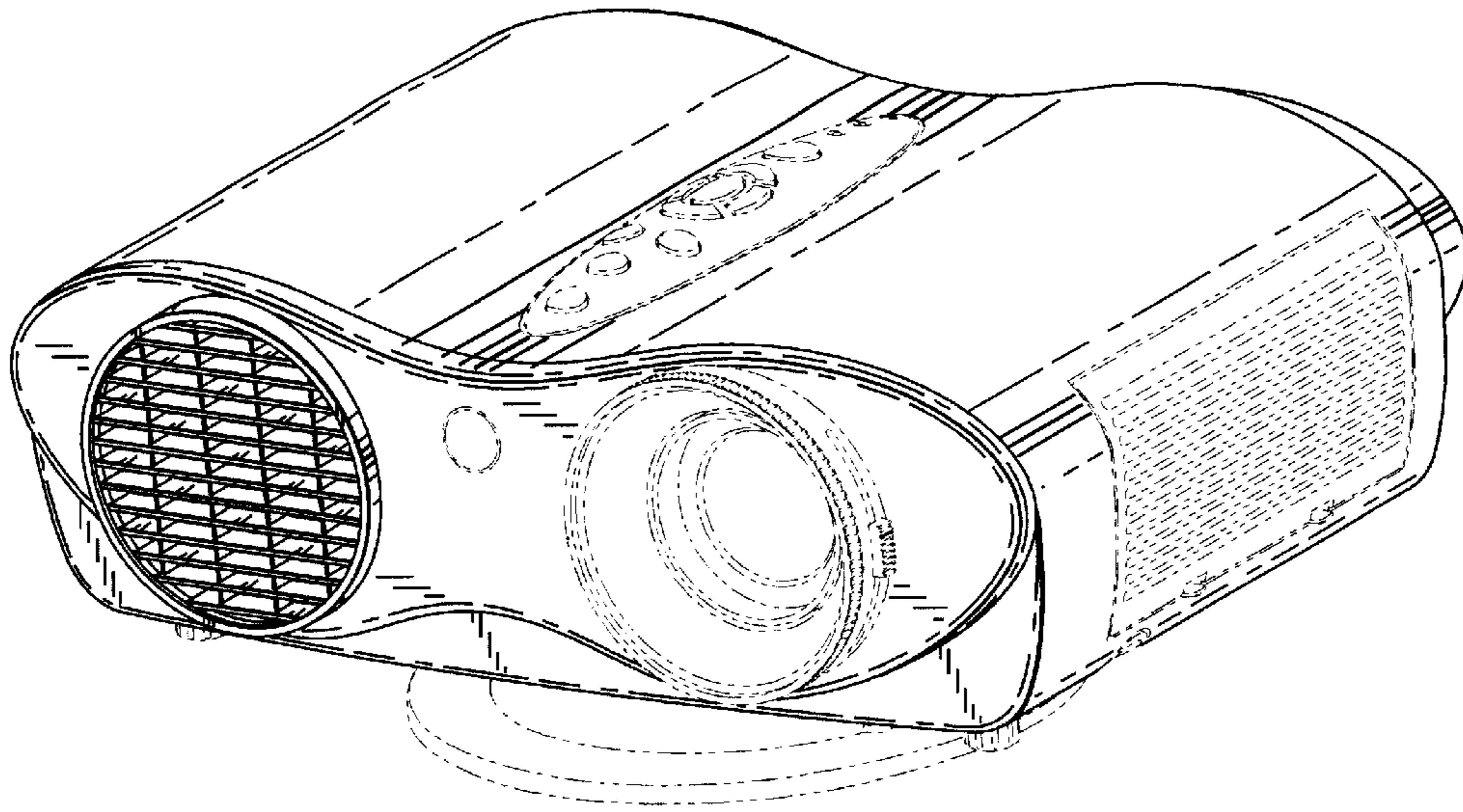


Fig. 1

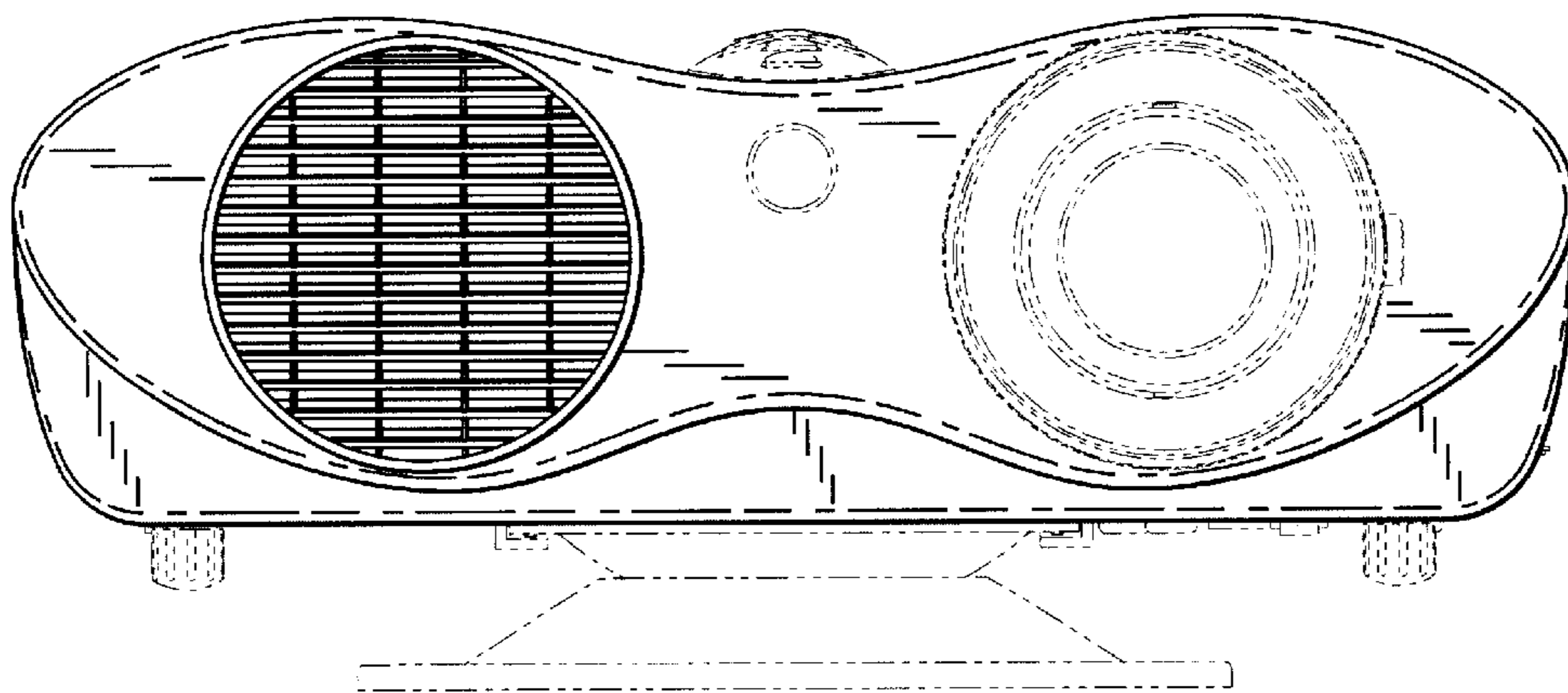


Fig. 2

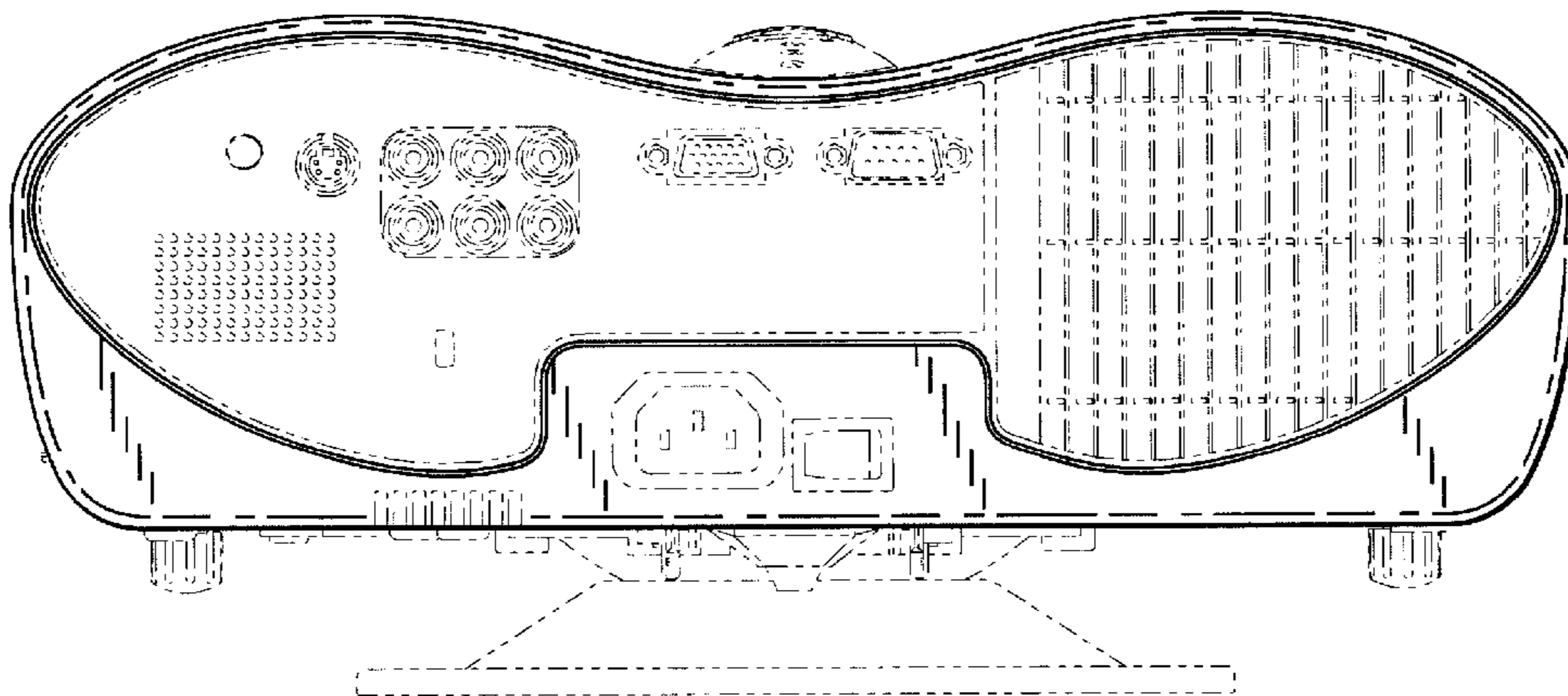


Fig. 3

2/3

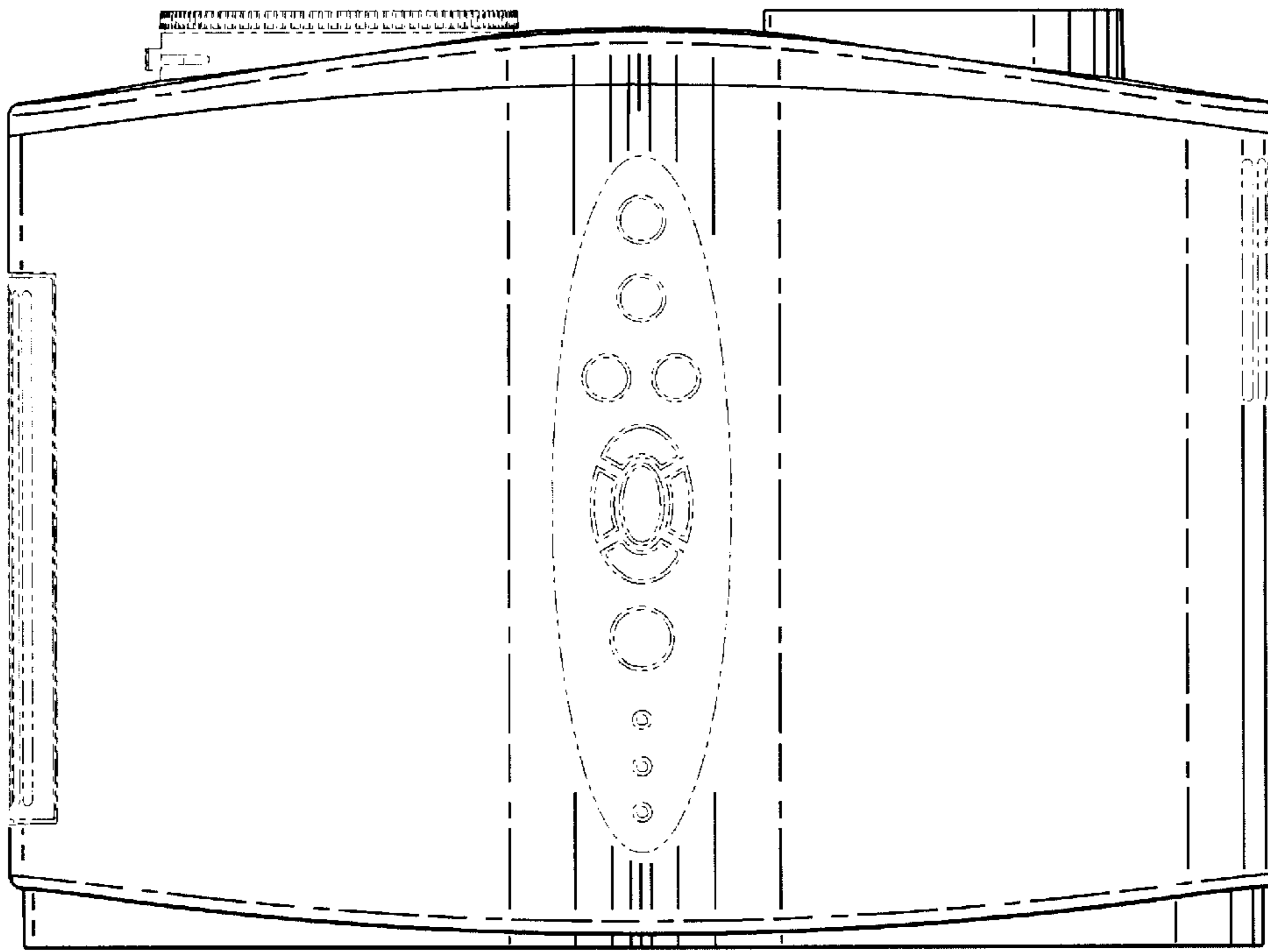


Fig. 4

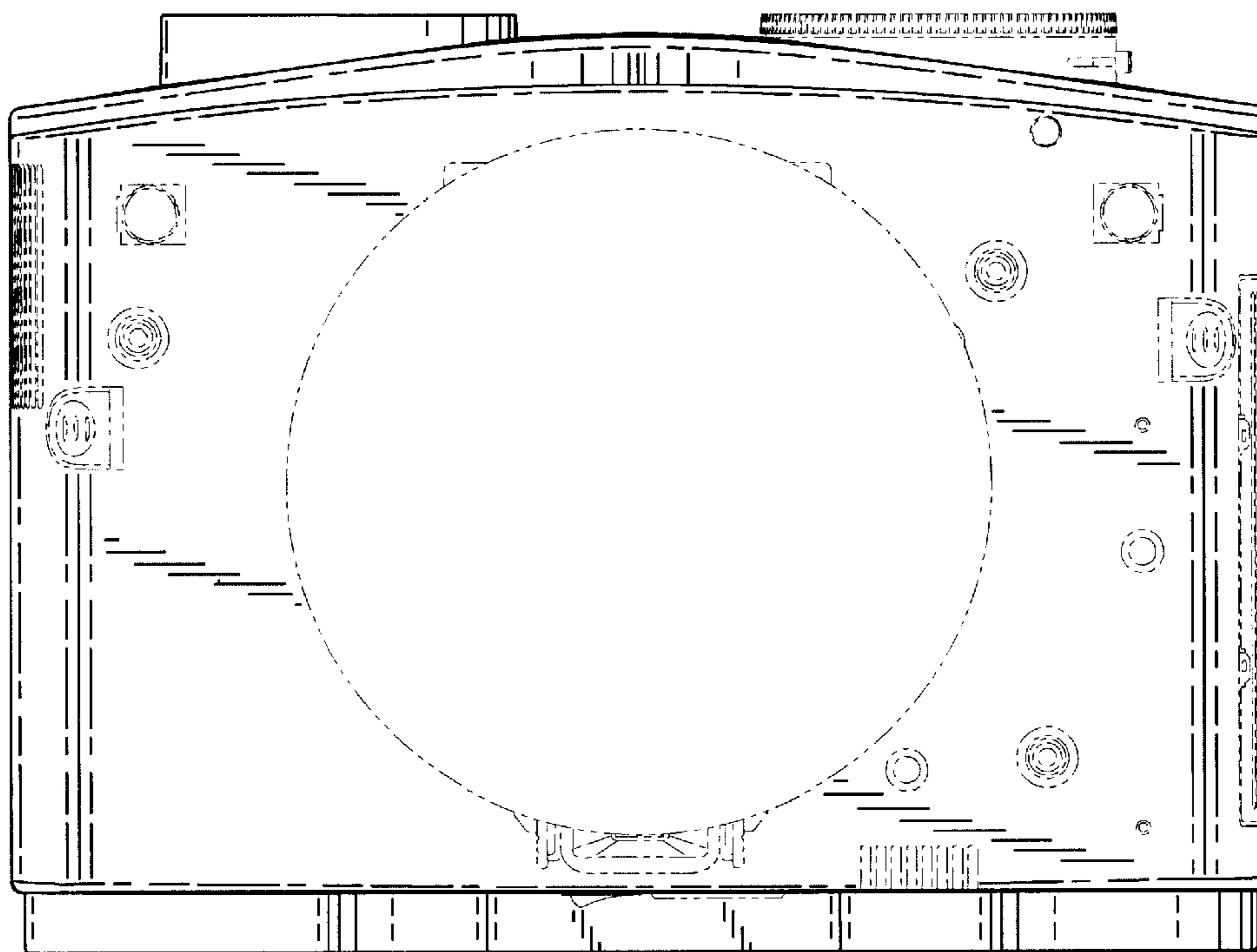


Fig. 5

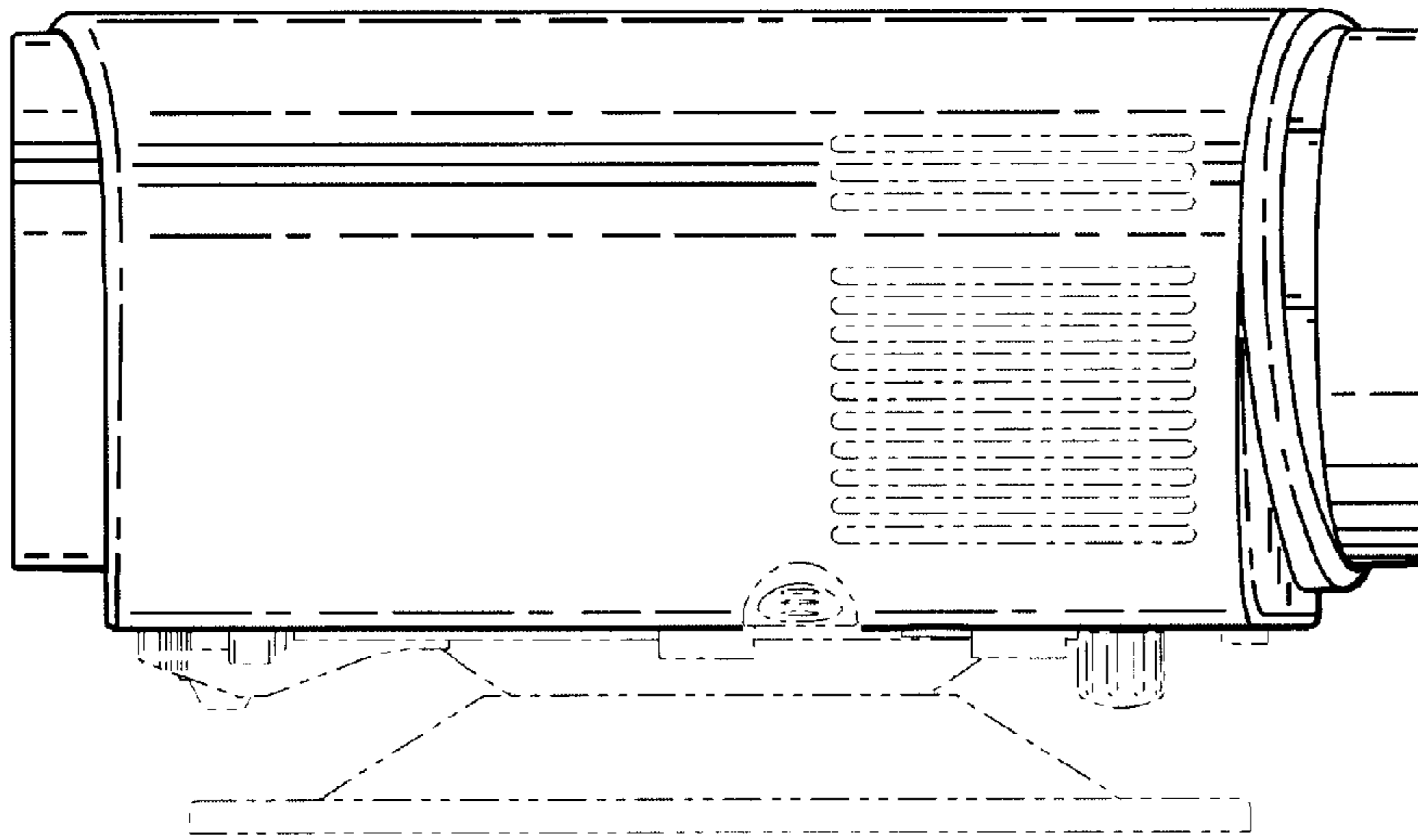


Fig. 6

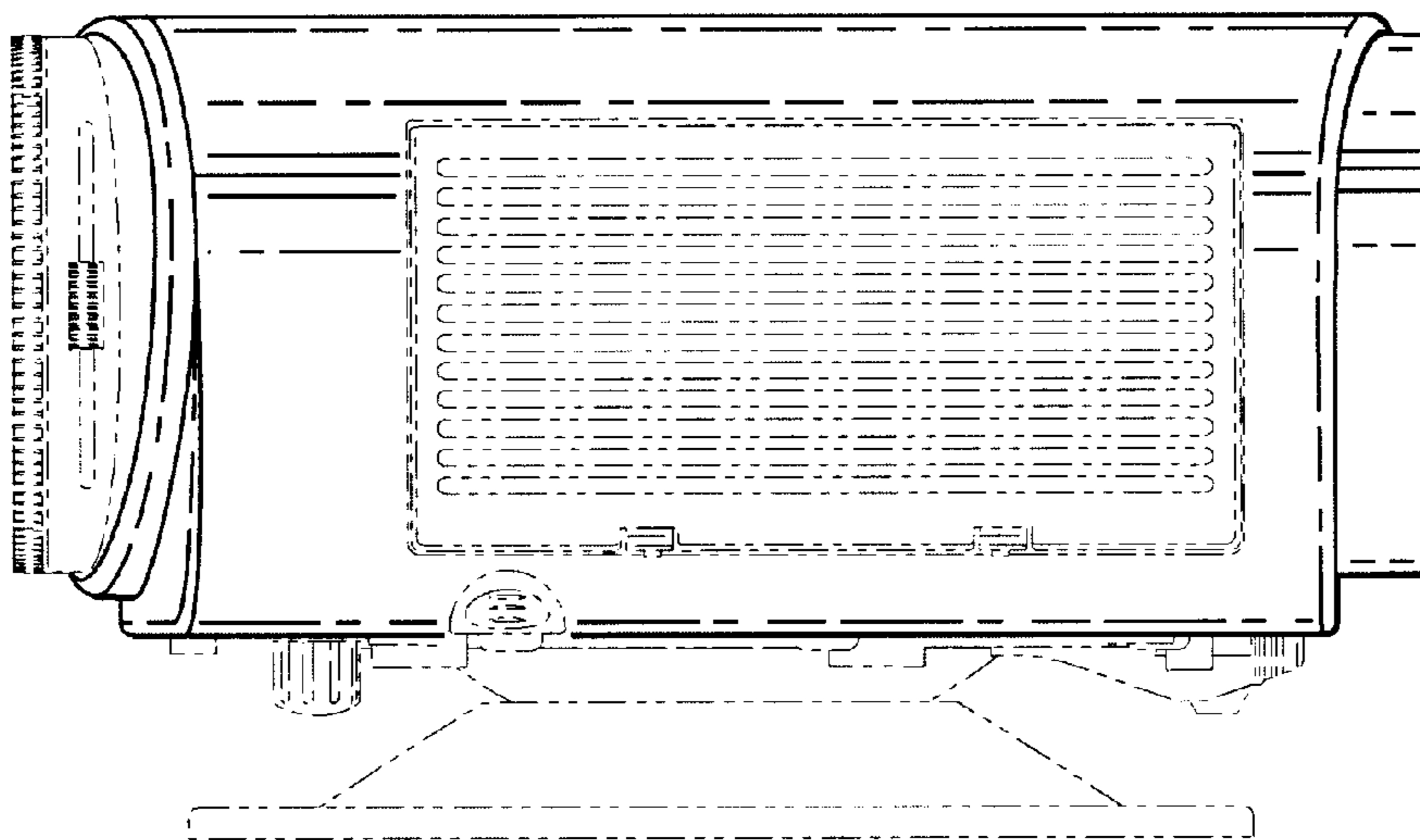


Fig. 7