

US00D505147S

(12) **United States Design Patent**
Koren

(10) **Patent No.: US D505,147 S**

(45) **Date of Patent: ** May 17, 2005**

(54) **LENS COVER**

(75) **Inventor: Arie Koren, Raanana (IL)**

(73) **Assignee: Pharma Sept Medical, Products (1995) Ltd., South Netanya (IL)**

(**) **Term: 14 Years**

(21) **Appl. No.: 29/186,265**

(22) **Filed: Jul. 9, 2003**

(30) **Foreign Application Priority Data**

Jan. 16, 2003 (IL) 37444
Jan. 16, 2003 (IL) 37445

(51) **LOC (7) Cl. 16-05**

(52) **U.S. Cl. D16/219; D16/136**

(58) **Field of Search D16/134, 136, D16/219, 237; 359/703, 704, 819, 826, 827, 828; 396/529-532**

(56) **References Cited**

U.S. PATENT DOCUMENTS

D252,833 S * 9/1979 Bowser D26/85
4,307,950 A * 12/1981 Suzuki et al. 396/529
D339,599 S * 9/1993 Tiffen D16/219

6,026,244 A * 2/2000 Tanaka 359/704
6,270,266 B1 * 8/2001 Fukuda et al. 396/529

* cited by examiner

Primary Examiner—Adir Aronovich

(74) *Attorney, Agent, or Firm*—Martin Fleit; Paul D. Bianco; Fleit Kain Gibbons Gutman Bongini & Bianco P.L.

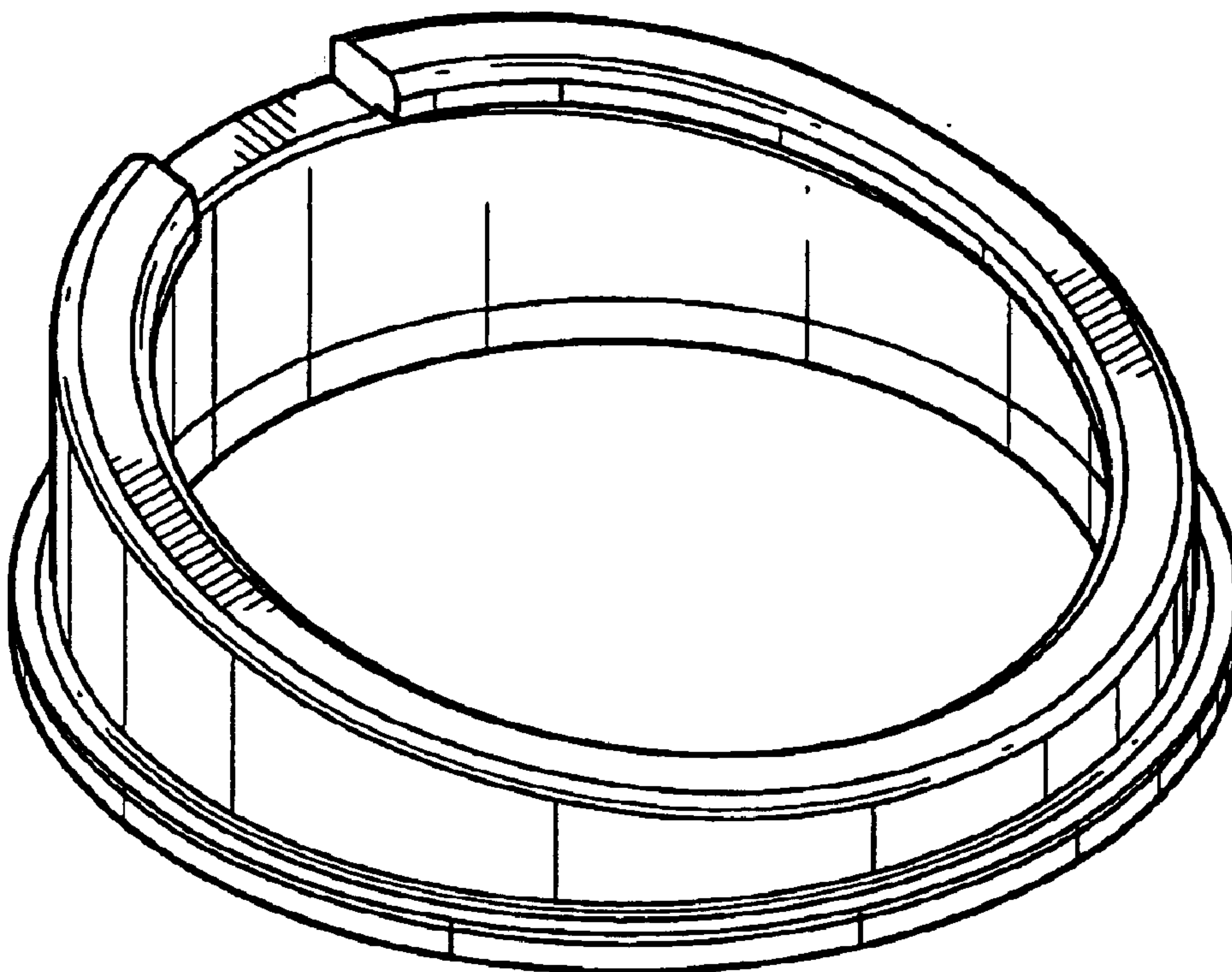
(57) **CLAIM**

The ornamental design for a lens cover, as shown and described.

DESCRIPTION

FIG. 1 is an isometric view of a lens cover showing my new design;
FIG. 2 is a FRONT VIEW of the lens cover shown in FIG. 1;
FIG. 3 is a BACK VIEW of the lens cover shown in FIG. 1;
FIG. 4 is a LEFT SIDE VIEW of the lens cover shown in FIG. 1;
FIG. 5 is a RIGHT SIDE VIEW of the lens cover shown in FIG. 1;
FIG. 6 is a TOP VIEW of the lens cover shown in FIG. 1; and,
FIG. 7 is a BOTTOM VIEW of the lens cover shown in FIG. 1.

1 Claim, 3 Drawing Sheets



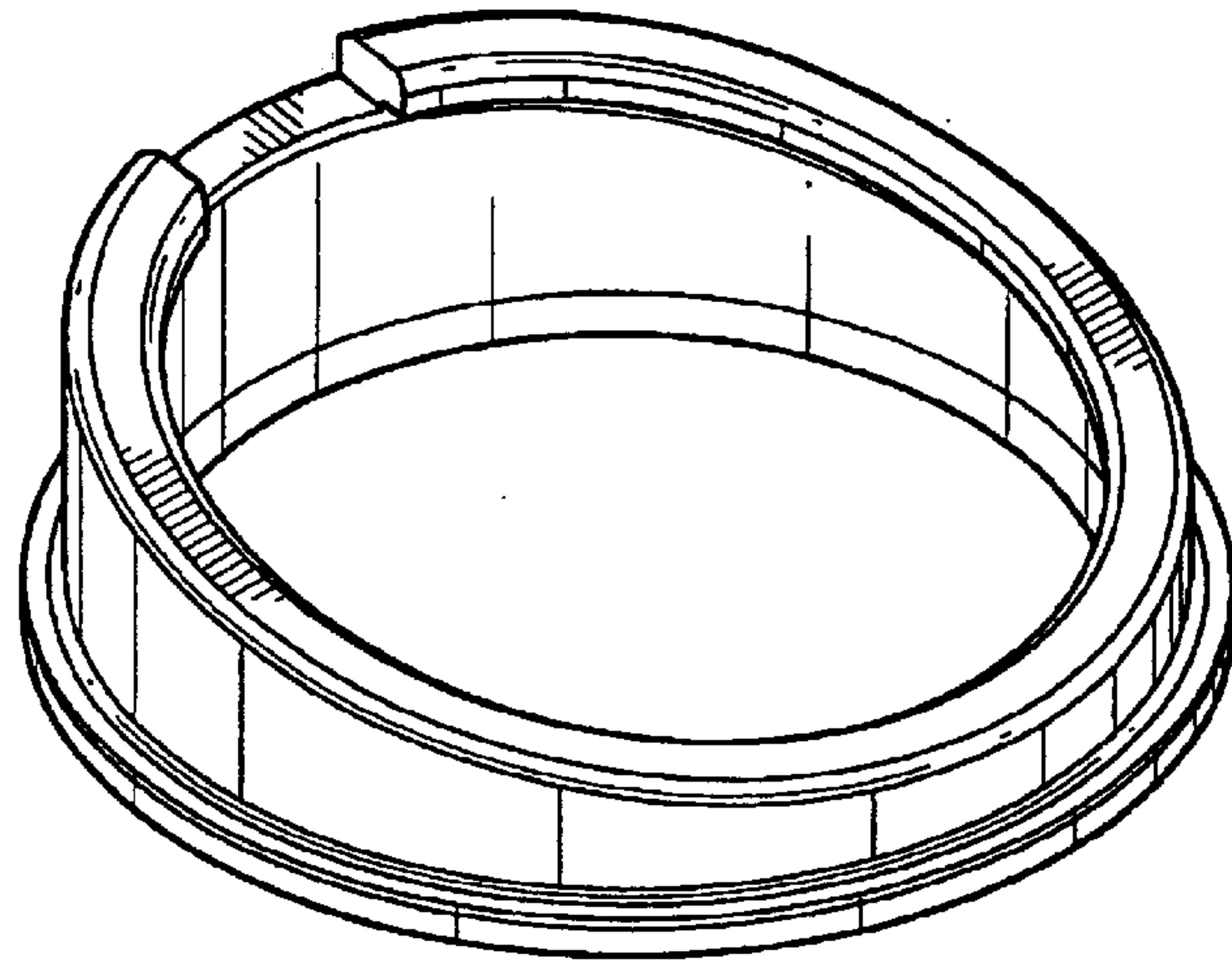


FIG. 1

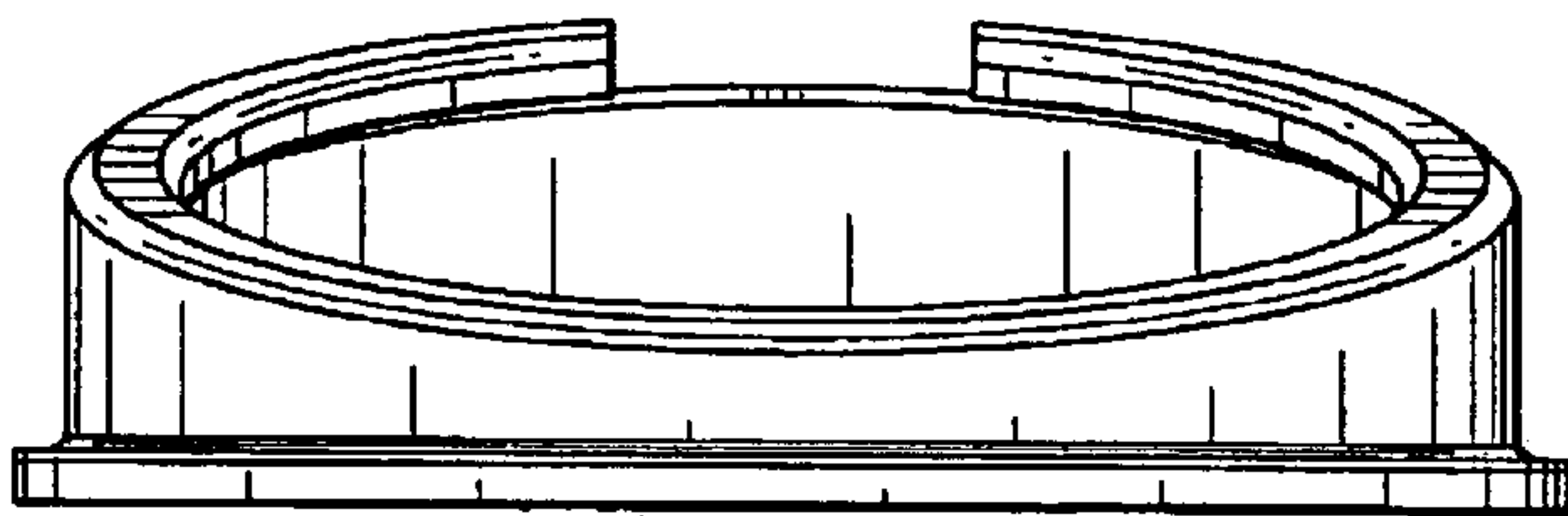


FIG. 2

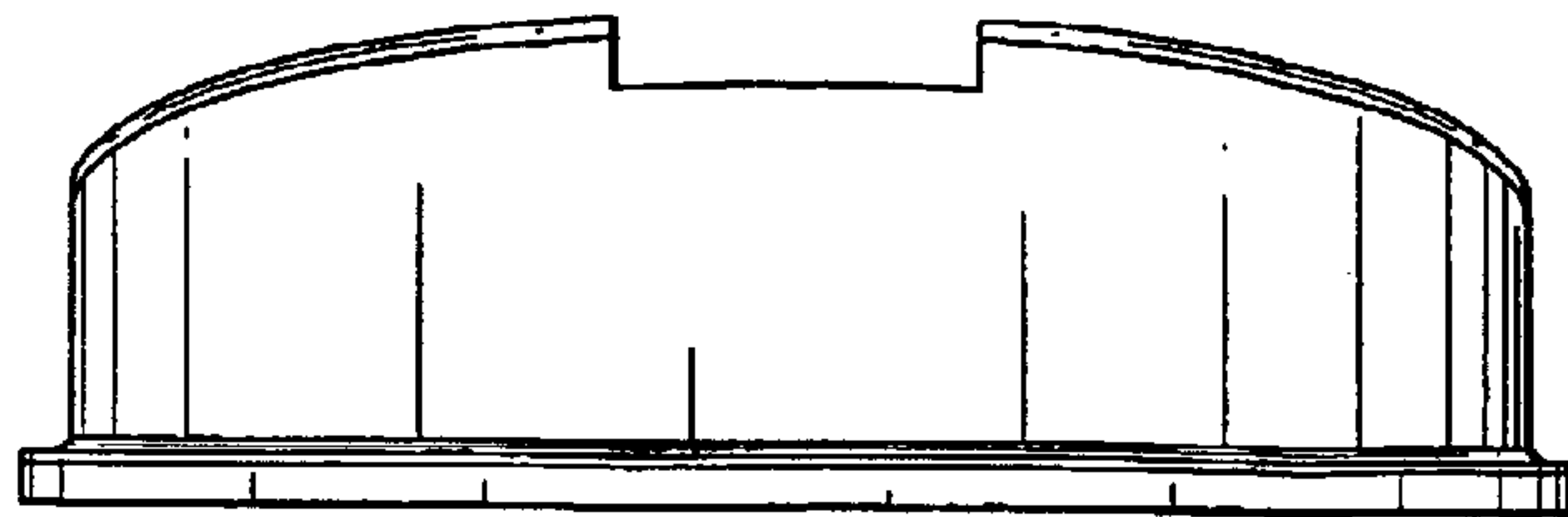


FIG. 3

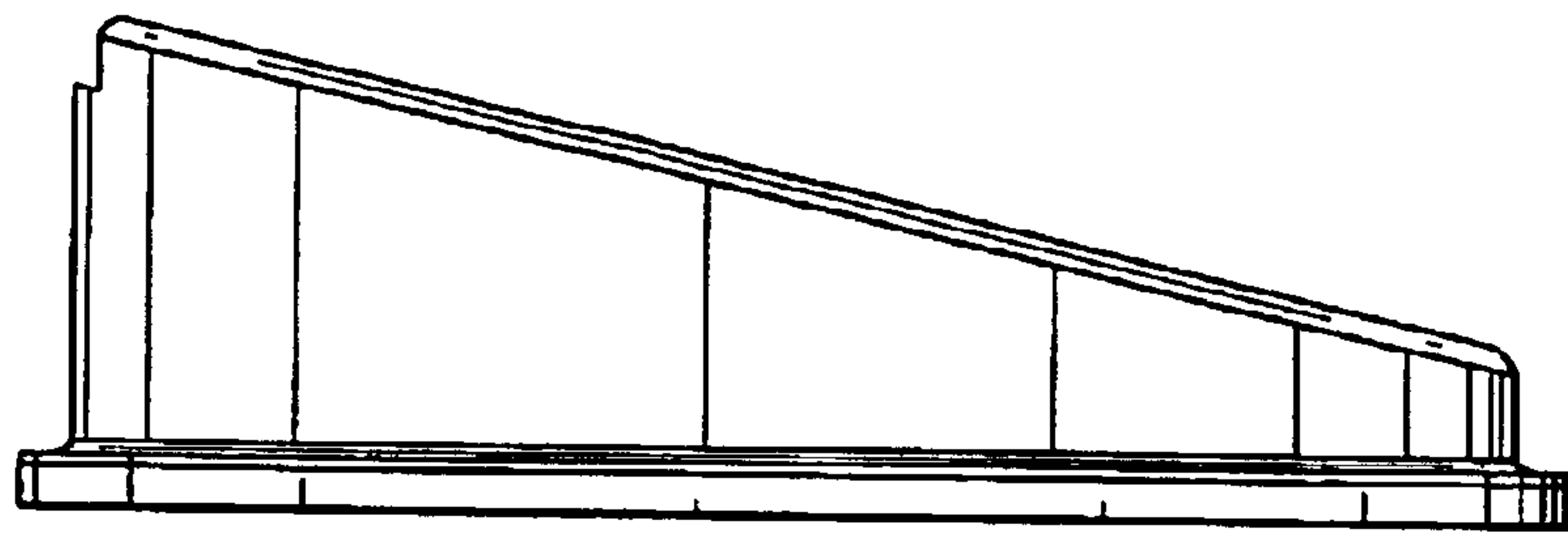


FIG. 4

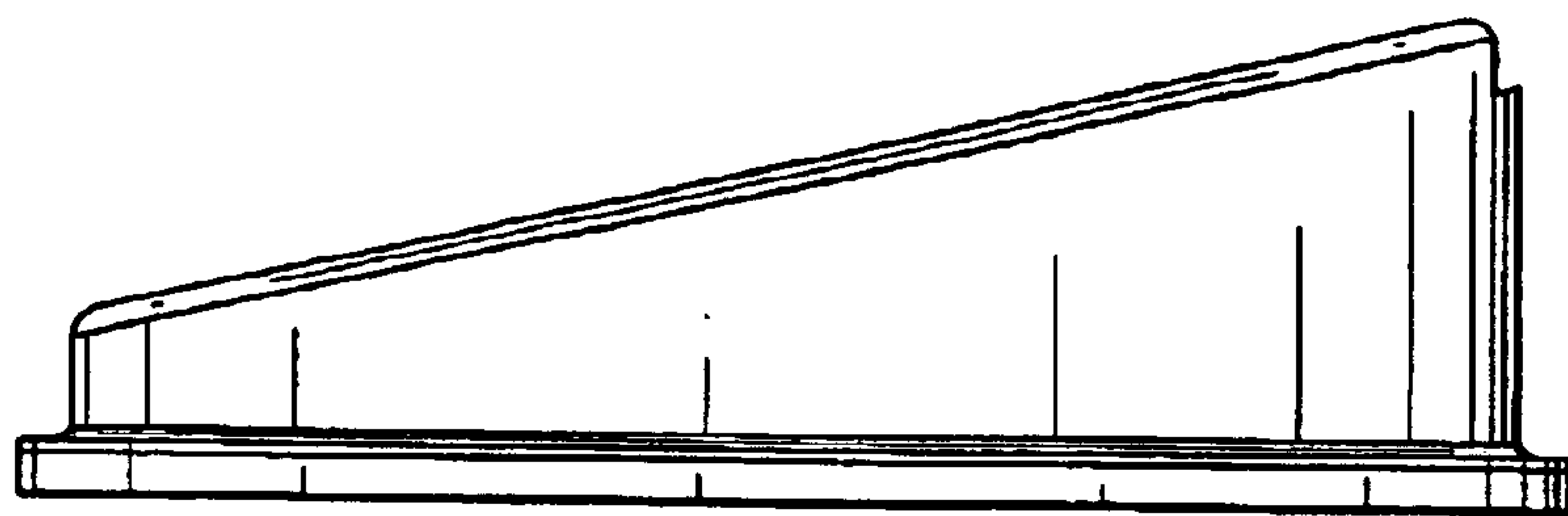


FIG. 5

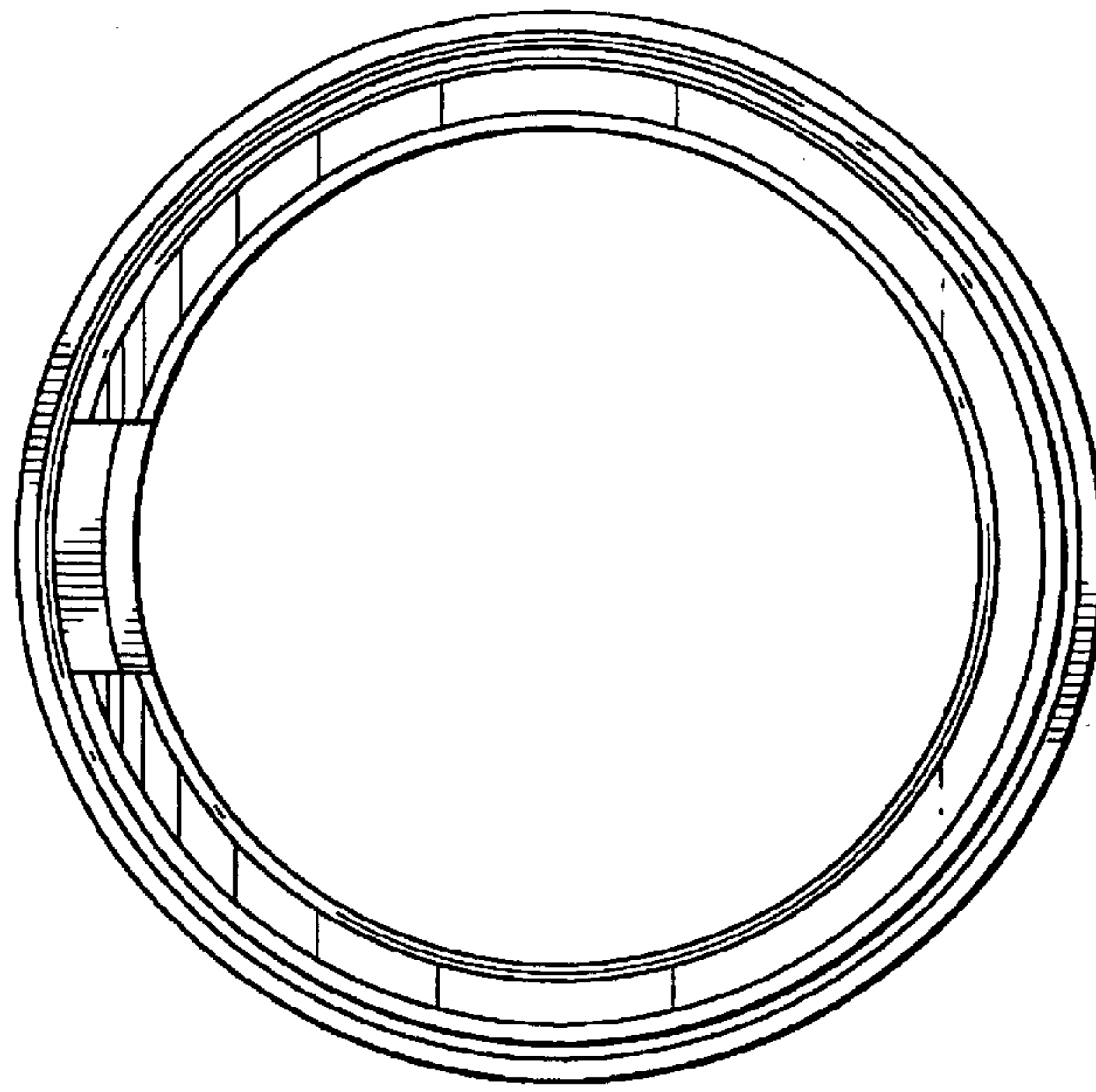


FIG. 6

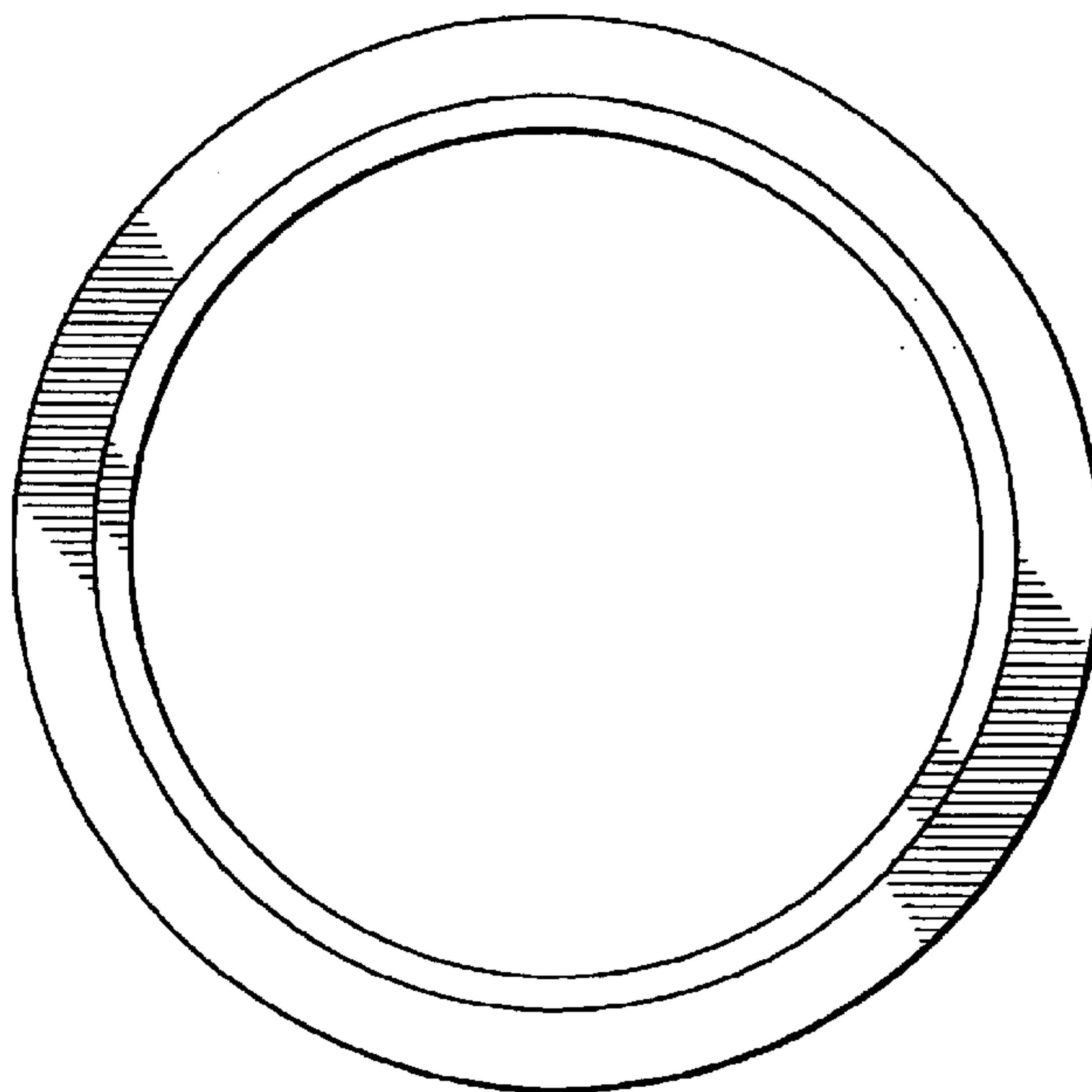


FIG. 7