

US00D505146S

(12) **United States Design Patent**
Ou

(10) **Patent No.: US D505,146 S**

(45) **Date of Patent: ** May 17, 2005**

(54) **SURVEILLANCE CAMERA WITH NIGHT VISION LEDS, MICROPHONE AND A LIGHT SENSOR**

6,705,774 B2 * 3/2004 Tashiro et al. 396/427
D489,743 S 5/2004 Owada

FOREIGN PATENT DOCUMENTS

(75) **Inventor: Seok S. Ou, Cerritos, CA (US)**

CN ZL03307246.9 4/2003

(73) **Assignee: Proam Enterprise Inc., Cerritos, CA (US)**

* cited by examiner

(**) **Term: 14 Years**

Primary Examiner—Adir Aronovich

(74) *Attorney, Agent, or Firm*—Park & Sutton LLP; John K. Park

(21) **Appl. No.: 29/208,143**

(57) **CLAIM**

(22) **Filed: Jun. 24, 2004**

The ornamental design for a surveillance camera with night vision LEDs, a microphone and a light sensor, as shown and described.

(51) **LOC (7) Cl. 16-01**

(52) **U.S. Cl. D16/203; D16/202**

(58) **Field of Search D16/200–205, D16/208, 218, 219; 348/14.08, 14.09, 14.1, 373–376; 358/909.1; 396/419, 427, 535–541**

DESCRIPTION

(56) **References Cited**

U.S. PATENT DOCUMENTS

D340,253 S	10/1993	Fedorczak	
D349,713 S	8/1994	Hasegawa	
D349,714 S	8/1994	Hasegawa	
D349,911 S	8/1994	Shimizu et al.	
D387,789 S	* 12/1997	Sumida et al.	D16/203
D396,869 S	* 8/1998	Yamakawa et al.	D16/202
D405,456 S	2/1999	Lefkowitz	
D446,535 S	8/2001	Chang	
D454,900 S	* 3/2002	Tsang et al.	D16/202
D455,165 S	* 4/2002	Tsang et al.	D16/202
D485,853 S	1/2004	Daniels	

FIG. 1 is a top front perspective view of a surveillance camera with night vision LEDs, a microphone and a light sensor showing my new design;

FIG. 2 is a top rear perspective view thereof;

FIG. 3 is a bottom front perspective view thereof;

FIG. 4 is a front elevational view thereof;

FIG. 5 is a rear elevational view thereof;

FIG. 6 is a right side elevational view thereof;

FIG. 7 is a left side elevational view thereof;

FIG. 8 is a top plan view thereof; and,

FIG. 9 is a bottom plan view thereof.

The broken lines showing of portions of a surveillance camera in FIGS. 1–9 are for illustration purposes only and form no part of the claimed design.

1 Claim, 9 Drawing Sheets

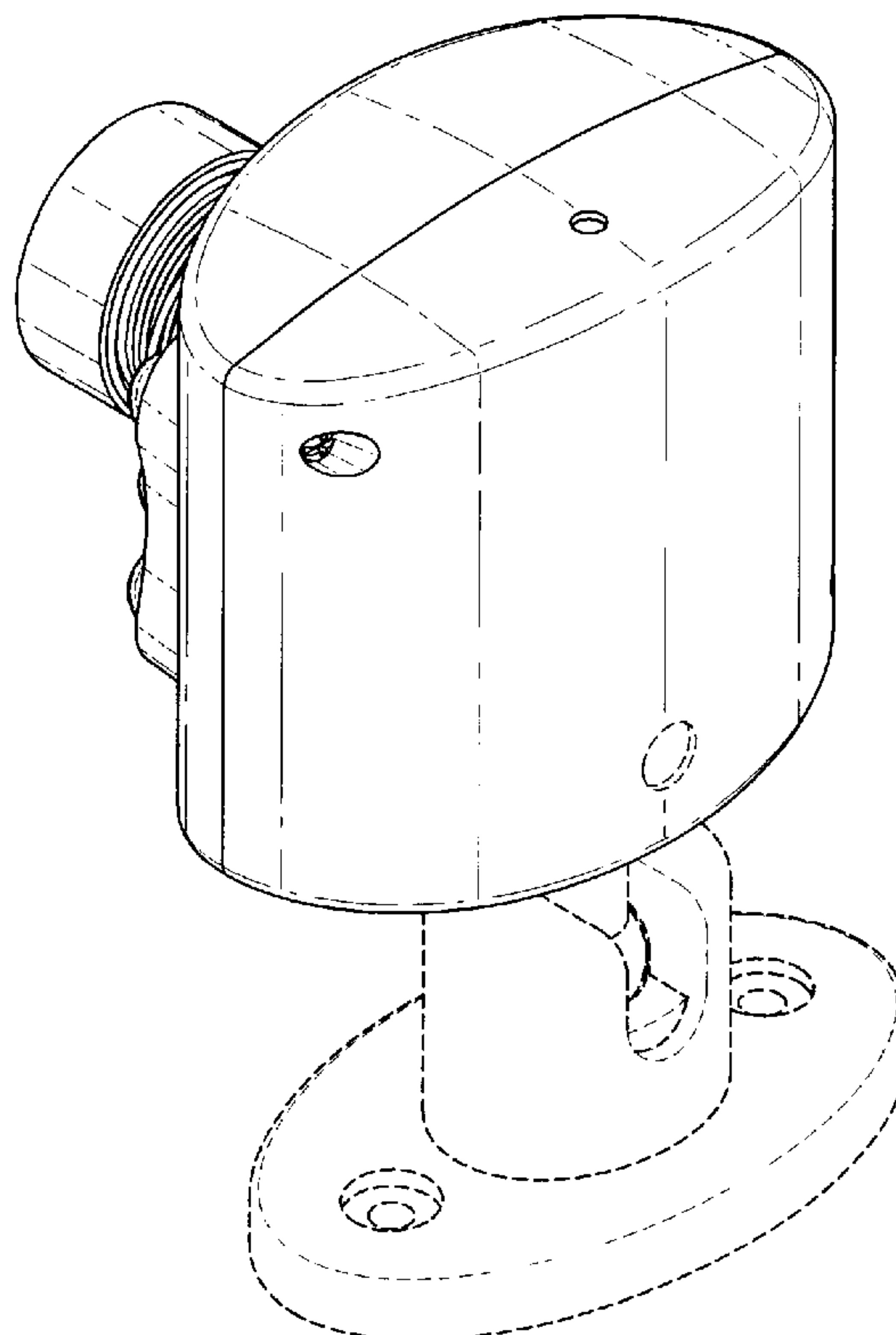
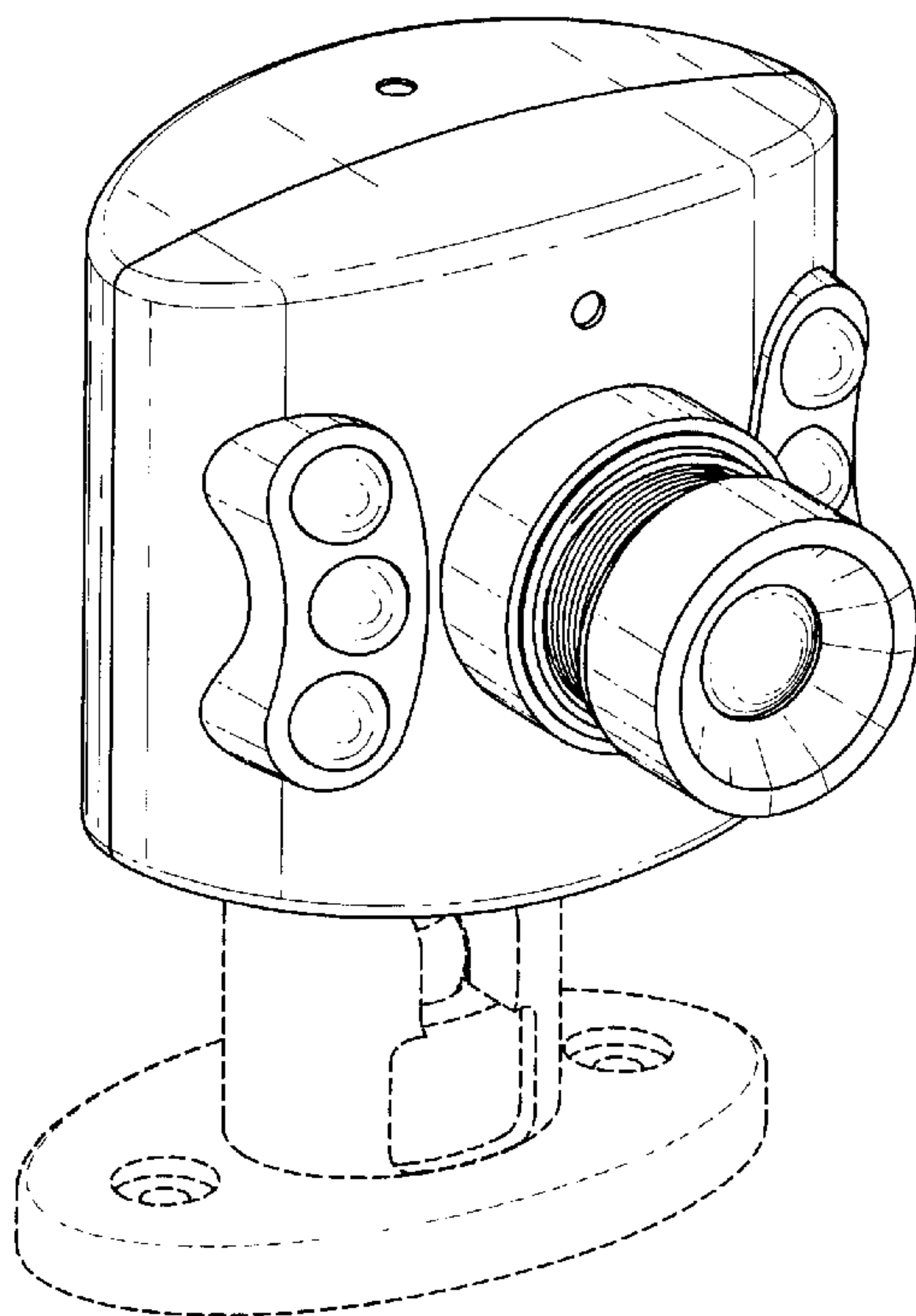


FIG. 1

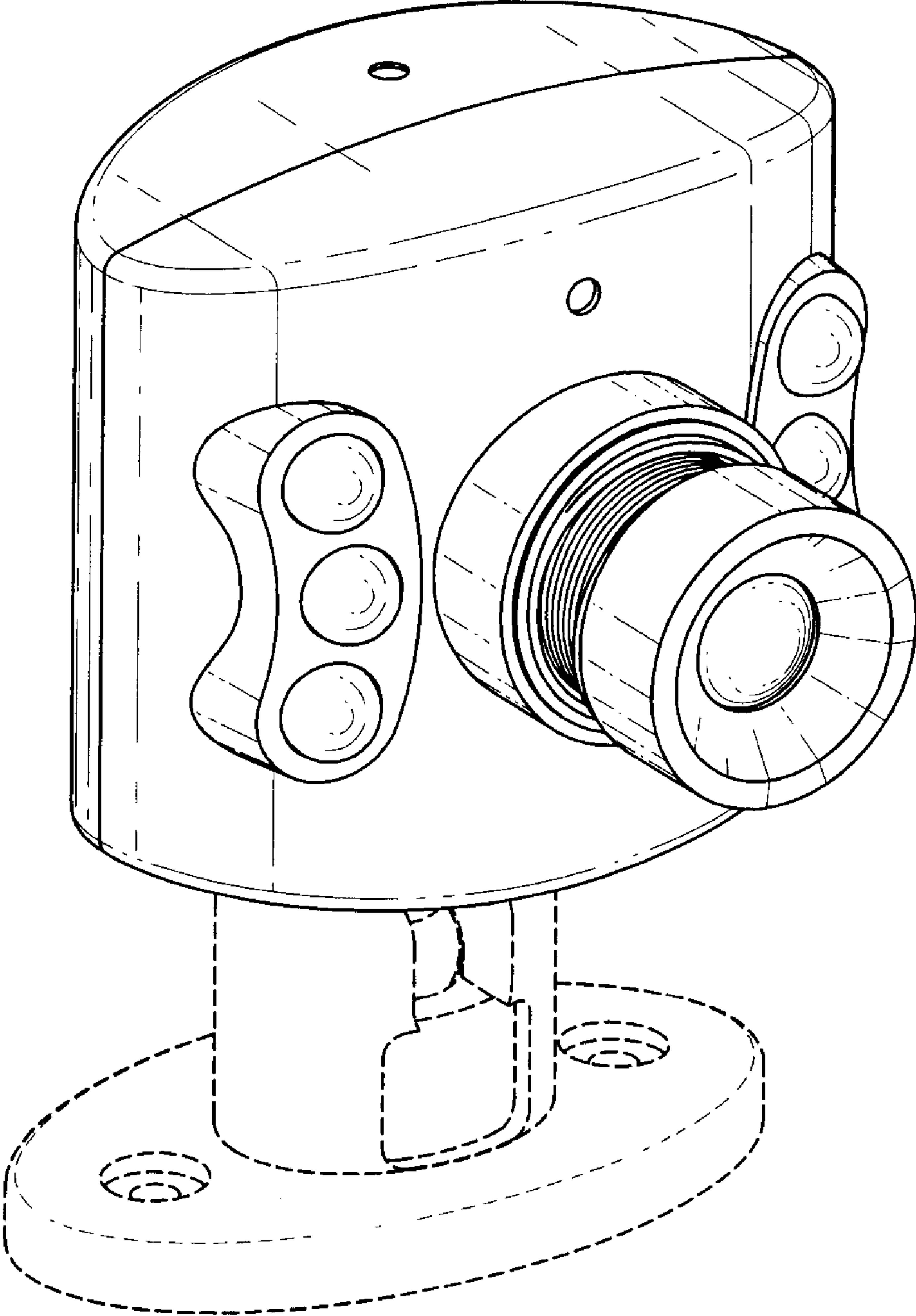


FIG. 2

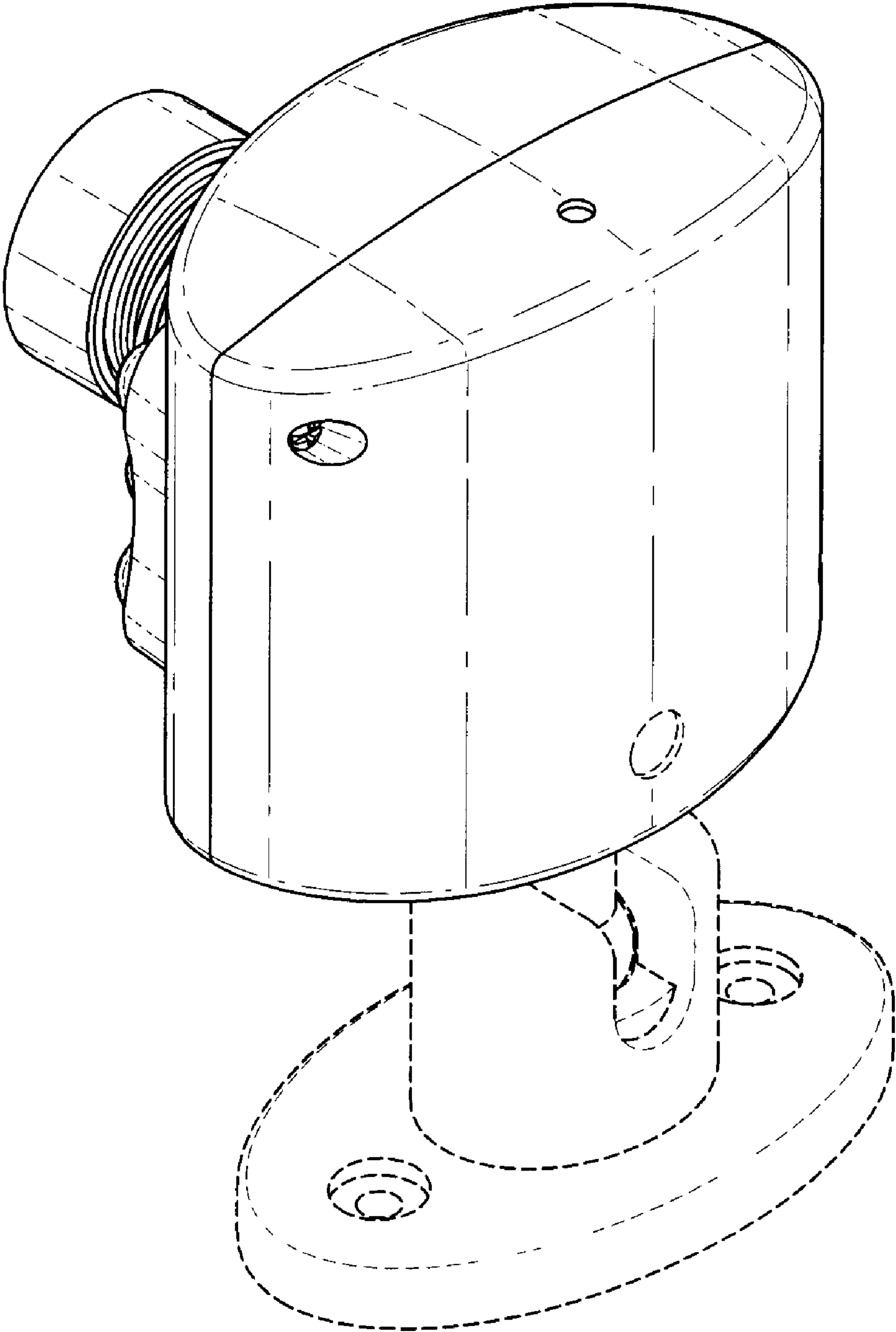


FIG. 3

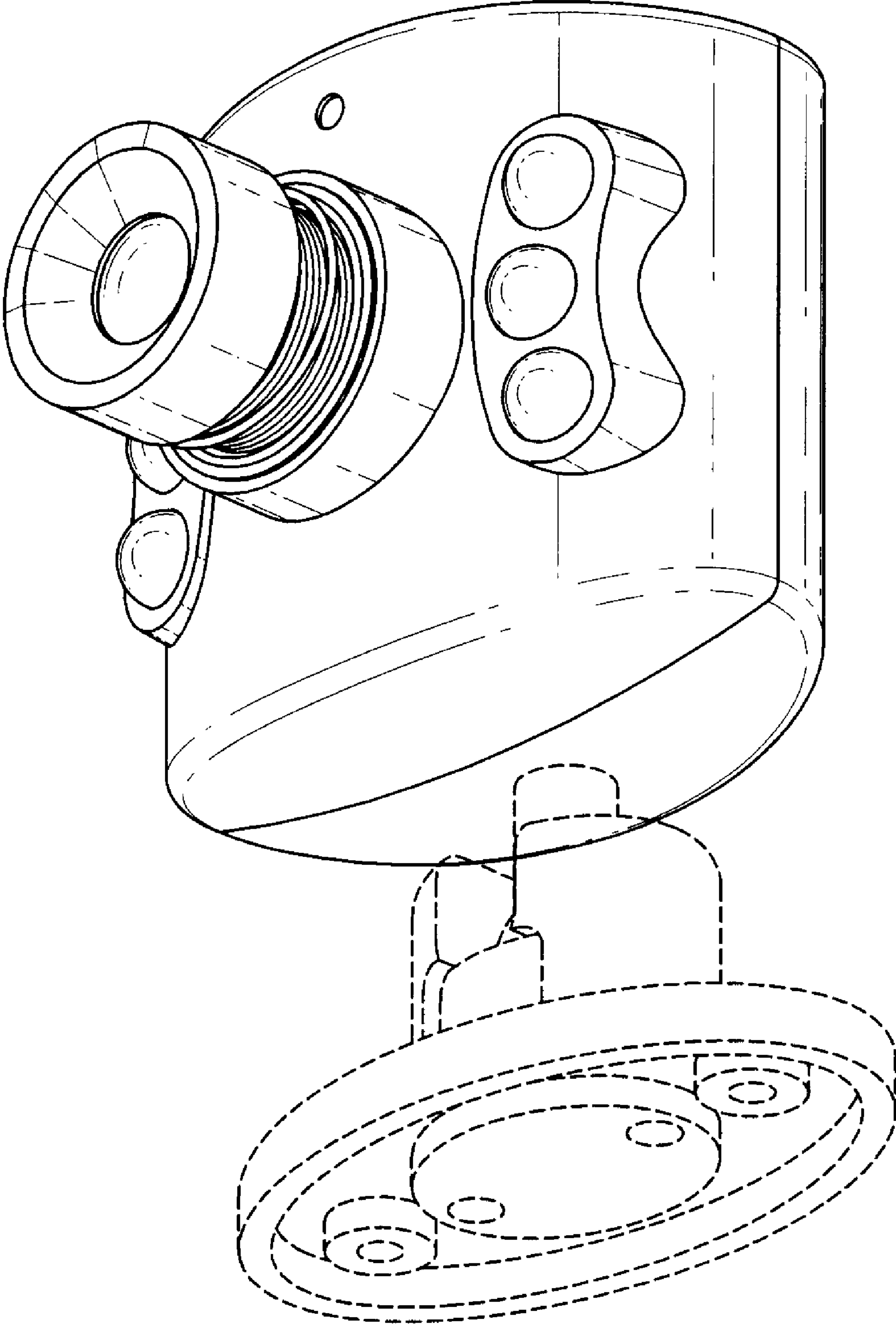


FIG. 4

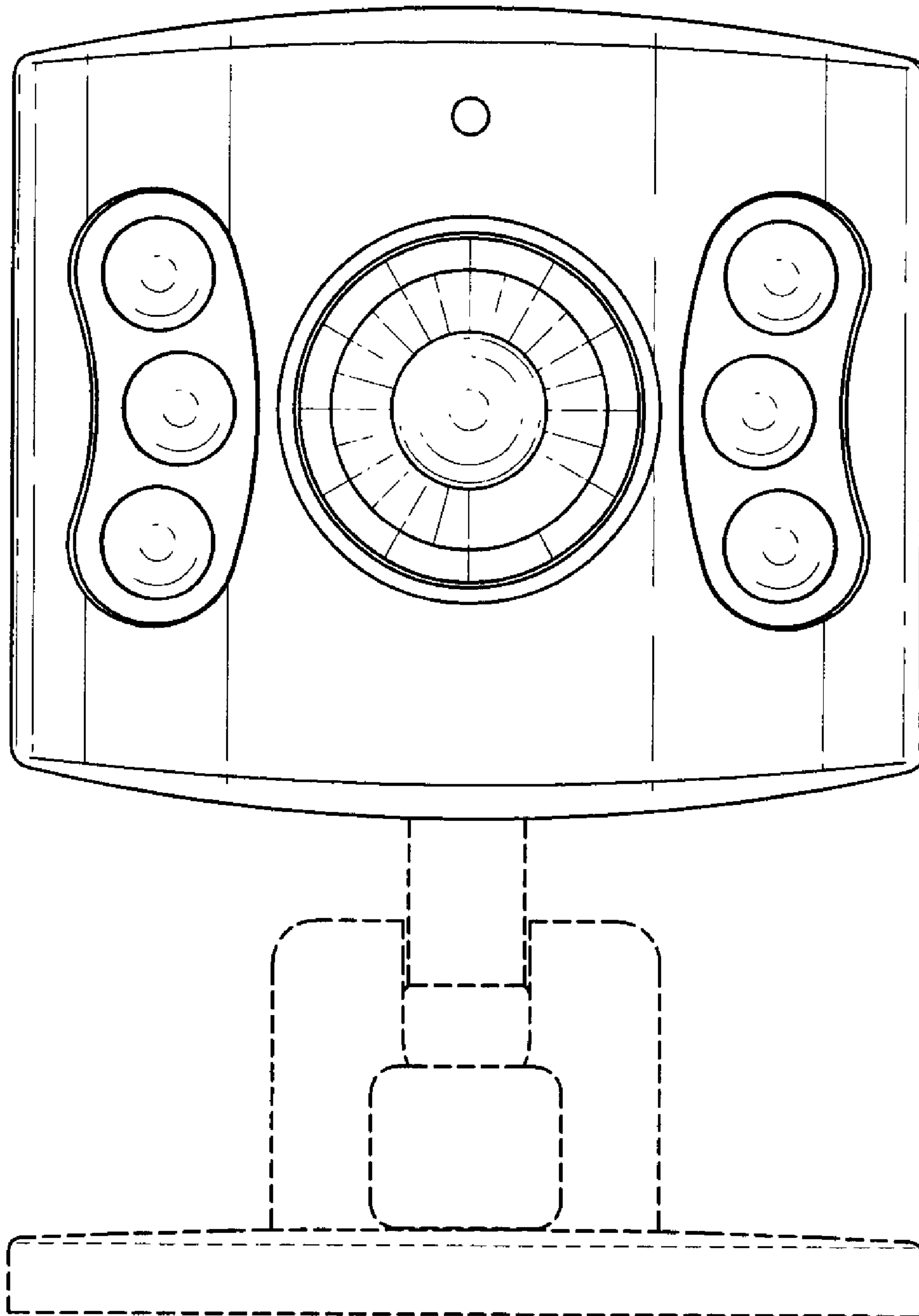


FIG. 5

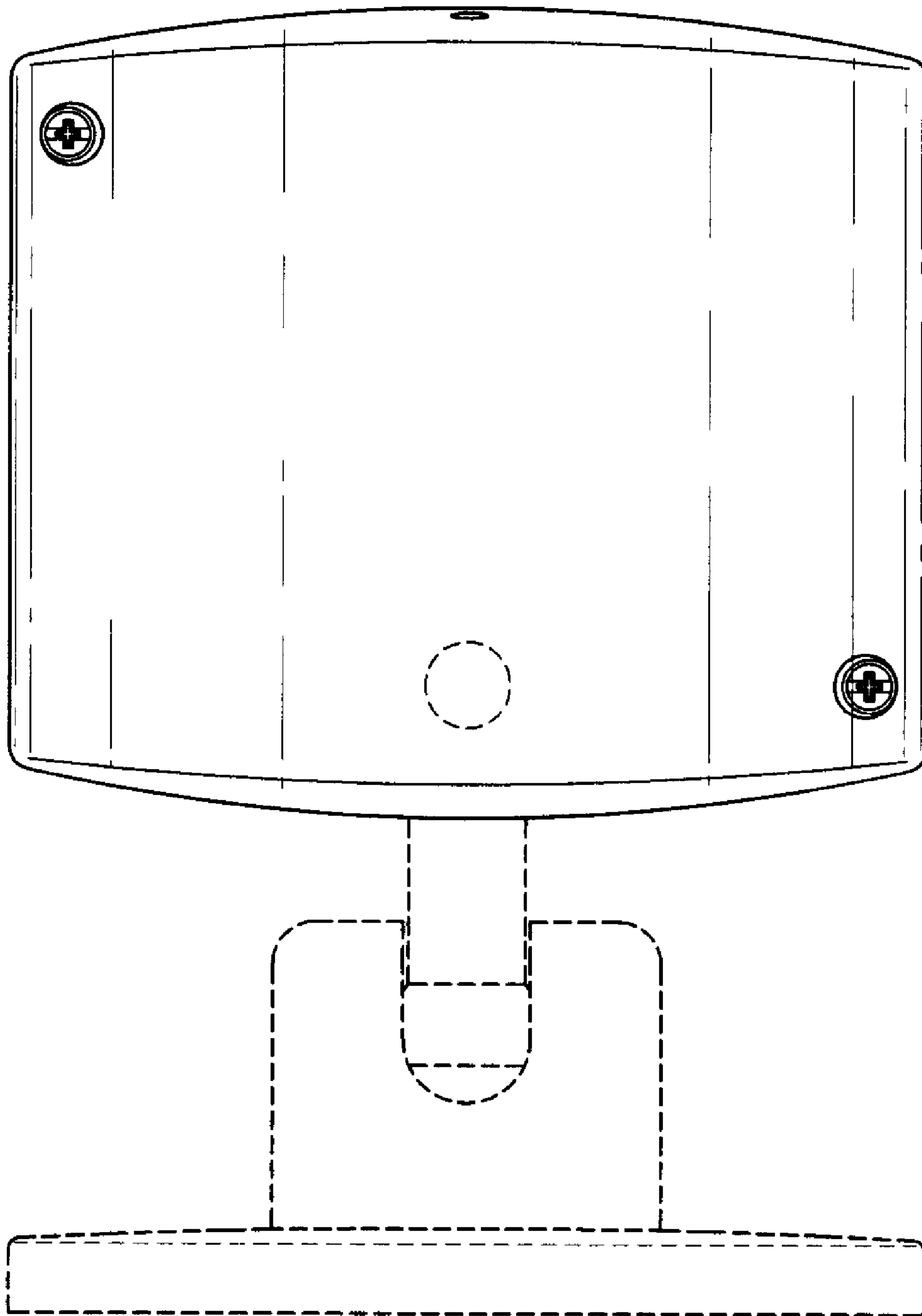


FIG. 6

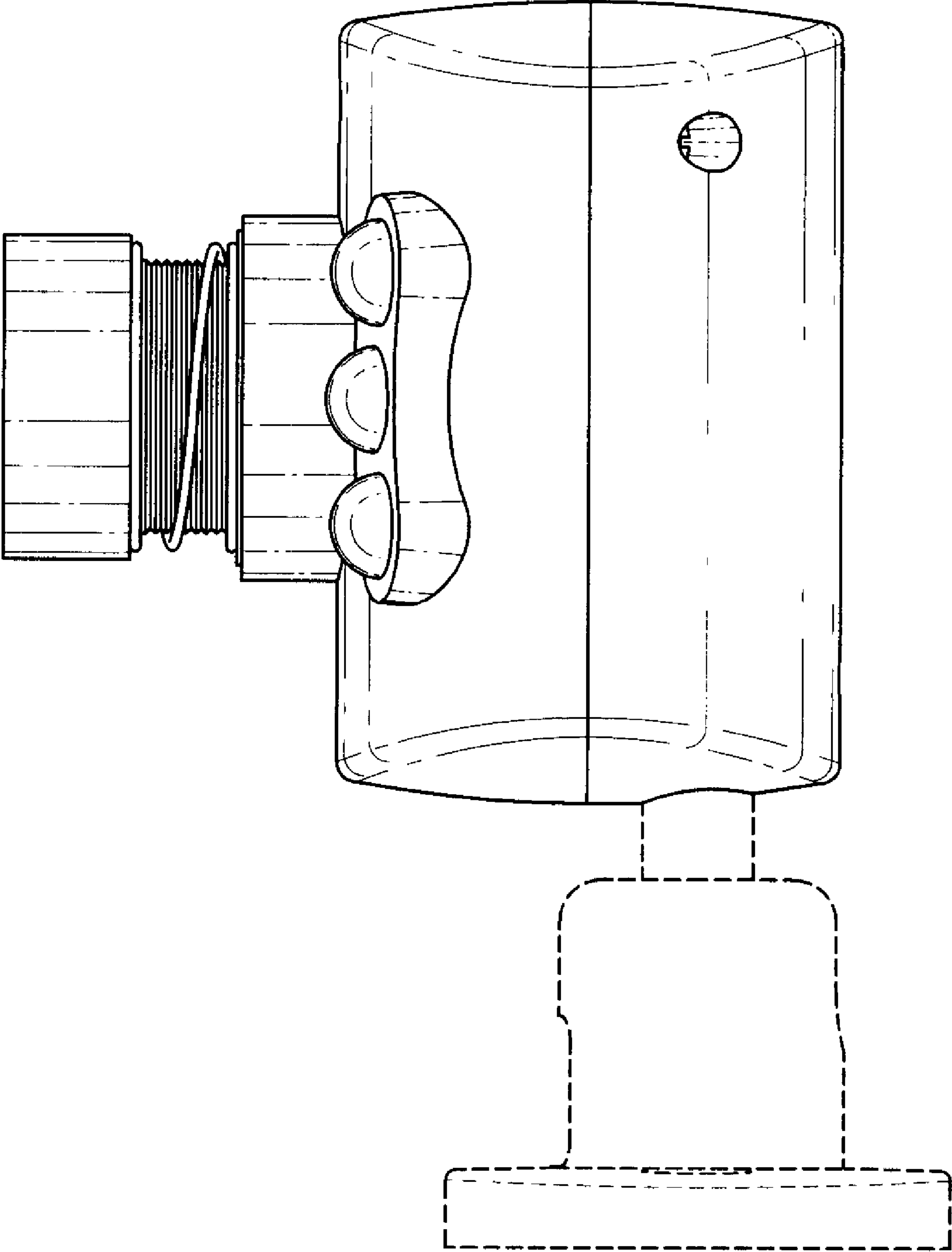


FIG. 7

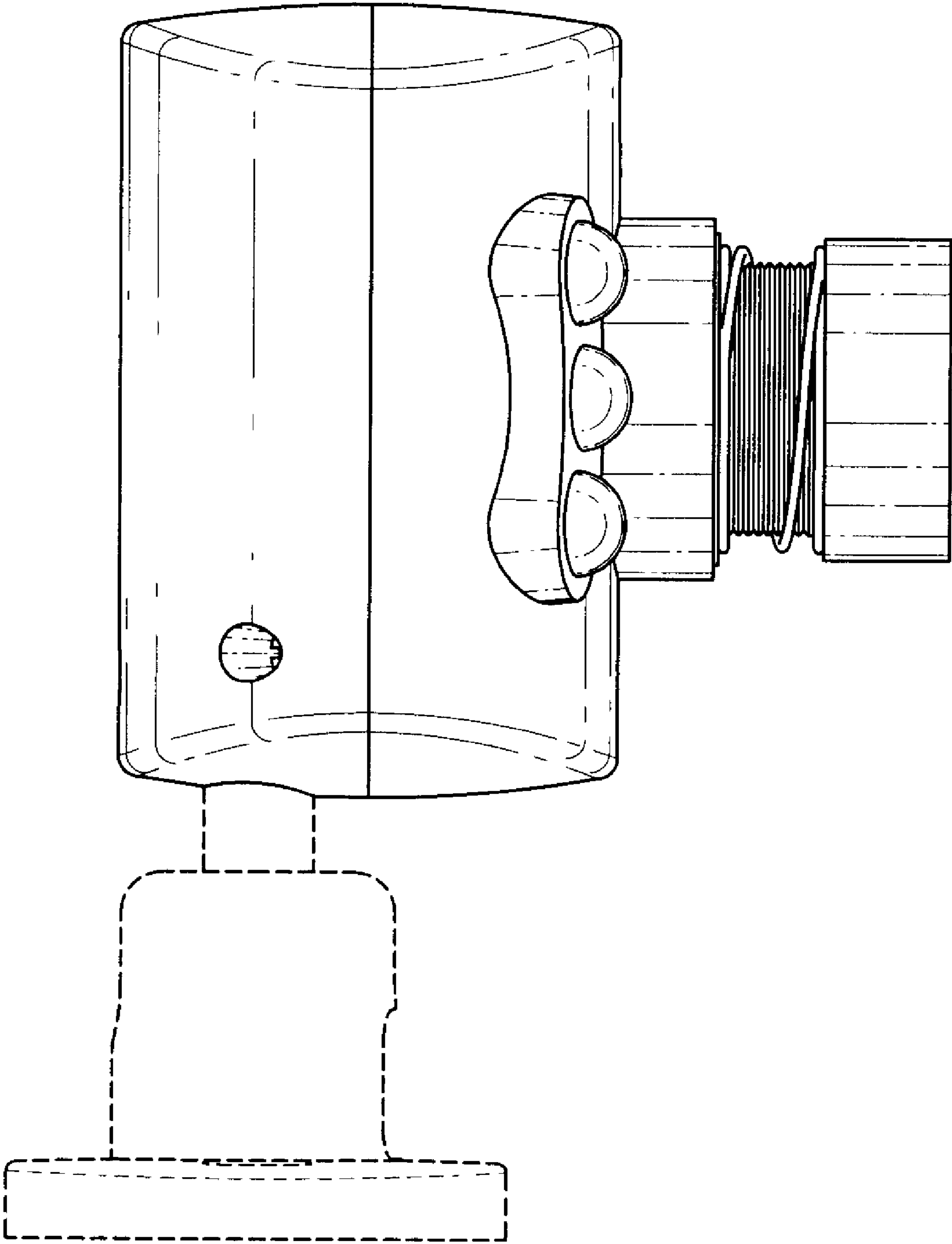


FIG. 8

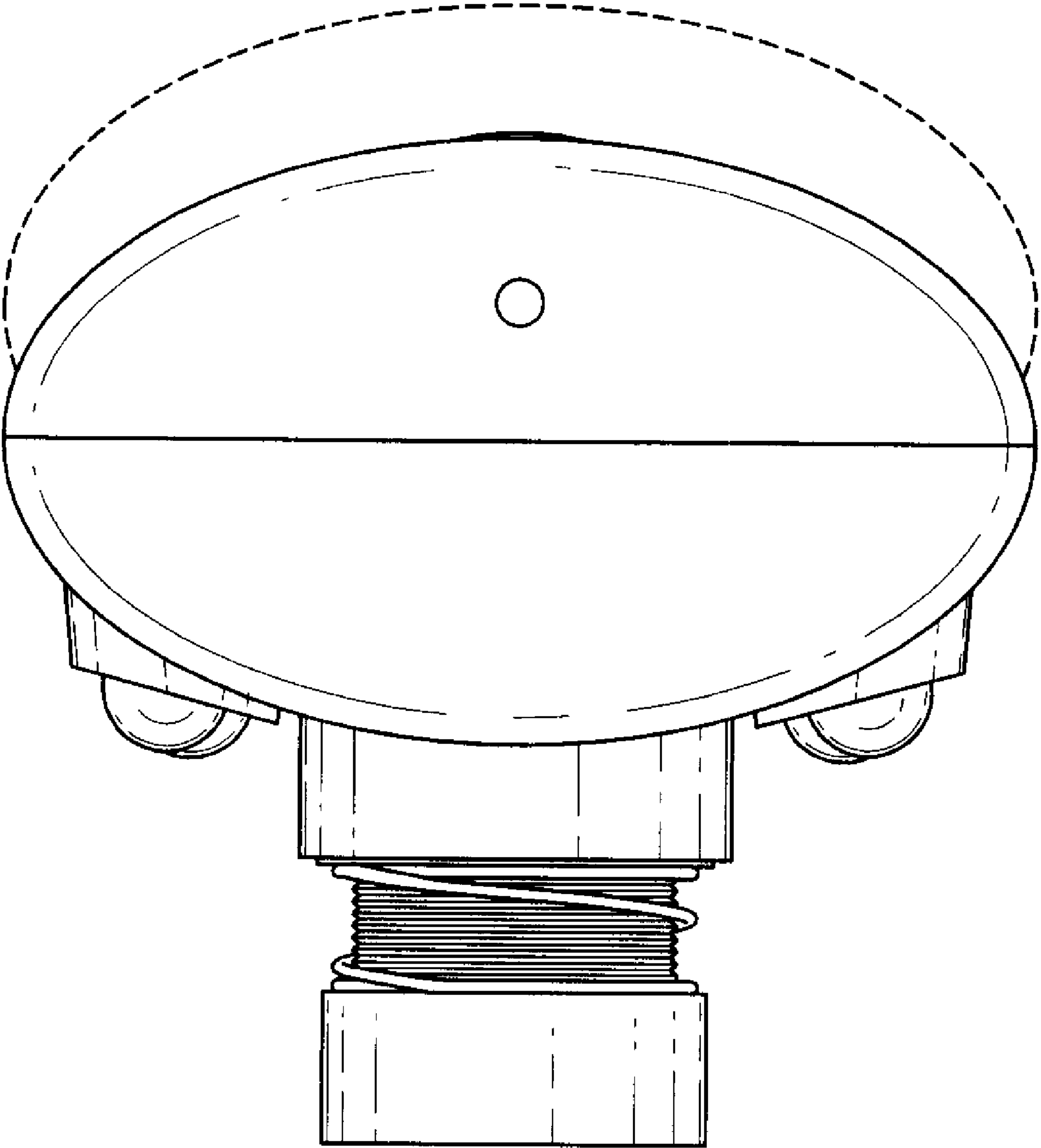


FIG. 9

