

US00D505140S

(12) **United States Design Patent**
Reed et al.

(10) **Patent No.:** **US D505,140 S**
(45) **Date of Patent:** **** May 17, 2005**

(54) **SHELF FRONT**

(75) Inventors: **William A. Reed**, Cedarburg, WI (US);
Joseph E. Braun, Milwaukee, WI
(US); **Michael J. Nickel**, Milwaukee,
WI (US); **David H. Roland**, Cedarburg,
WI (US); **Brett J. Vladika**, Milwaukee,
WI (US)

(73) Assignee: **U-Line Corporation**, Milwaukee, WI
(US)

(**) Term: **14 Years**

(21) Appl. No.: **29/189,788**

(22) Filed: **Sep. 10, 2003**

Related U.S. Application Data

(62) Division of application No. 29/155,719, filed on Feb. 14,
2002, now Pat. No. Des. 482,705.

(51) **LOC (7) Cl.** **15-07**

(52) **U.S. Cl.** **D15/89**

(58) **Field of Search** D15/79-89; 312/128,
312/132, 214, 408; 211/153; 108/108

(56) **References Cited**

U.S. PATENT DOCUMENTS

D142,904 S 11/1945 Paddock

D309,461 S 7/1990 Bussan et al.
6,488,347 B1 12/2002 Bienick
D482,705 S * 11/2003 Reed et al. D15/89

OTHER PUBLICATIONS

U-Line Corporation, Ice Makers product brochure, Aug.
1998, Milwaukee, Wisconsin, USA.

U-Line Corporation, Product Brochure, Jun. 2000, Milwau-
kee, Wisconsin, USA.

* cited by examiner

Primary Examiner—Mitchell Siegel

(74) *Attorney, Agent, or Firm*—Quarles & Brady LLP

(57) **CLAIM**

The ornamental design for a shelf front, as shown and
described.

DESCRIPTION

FIG. 1 is a perspective view of a shelf front showing my new
design;

FIG. 2 is a top plan view thereof;

FIG. 3 is a back elevational view thereof;

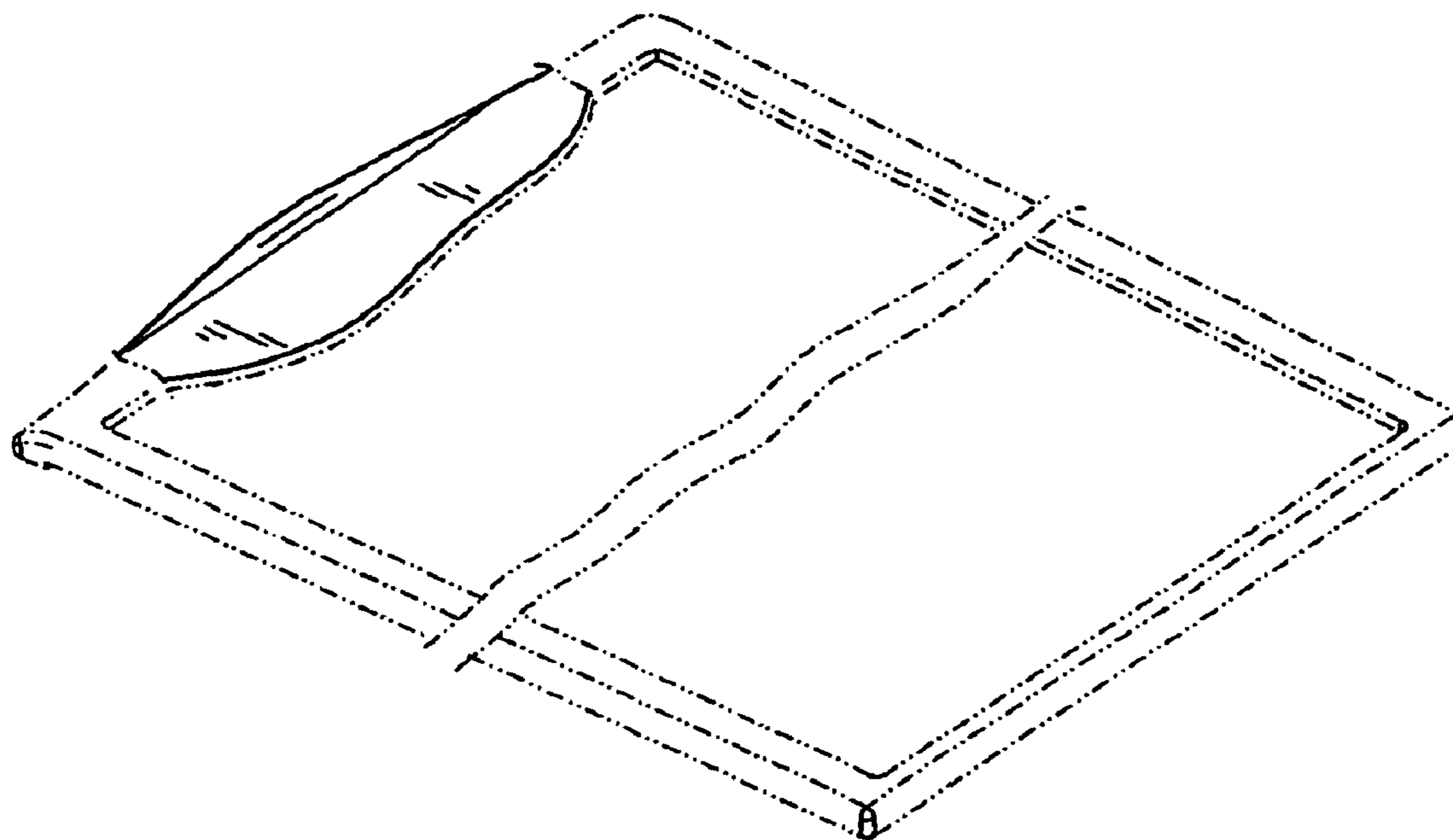
FIG. 4 is a front elevational view thereof;

FIG. 5 is a right side elevational view thereof; and,

FIG. 6 is a bottom plan view thereof.

The broken line showing is for illustrative purposes only and
forms no part of the claimed design.

1 Claim, 2 Drawing Sheets



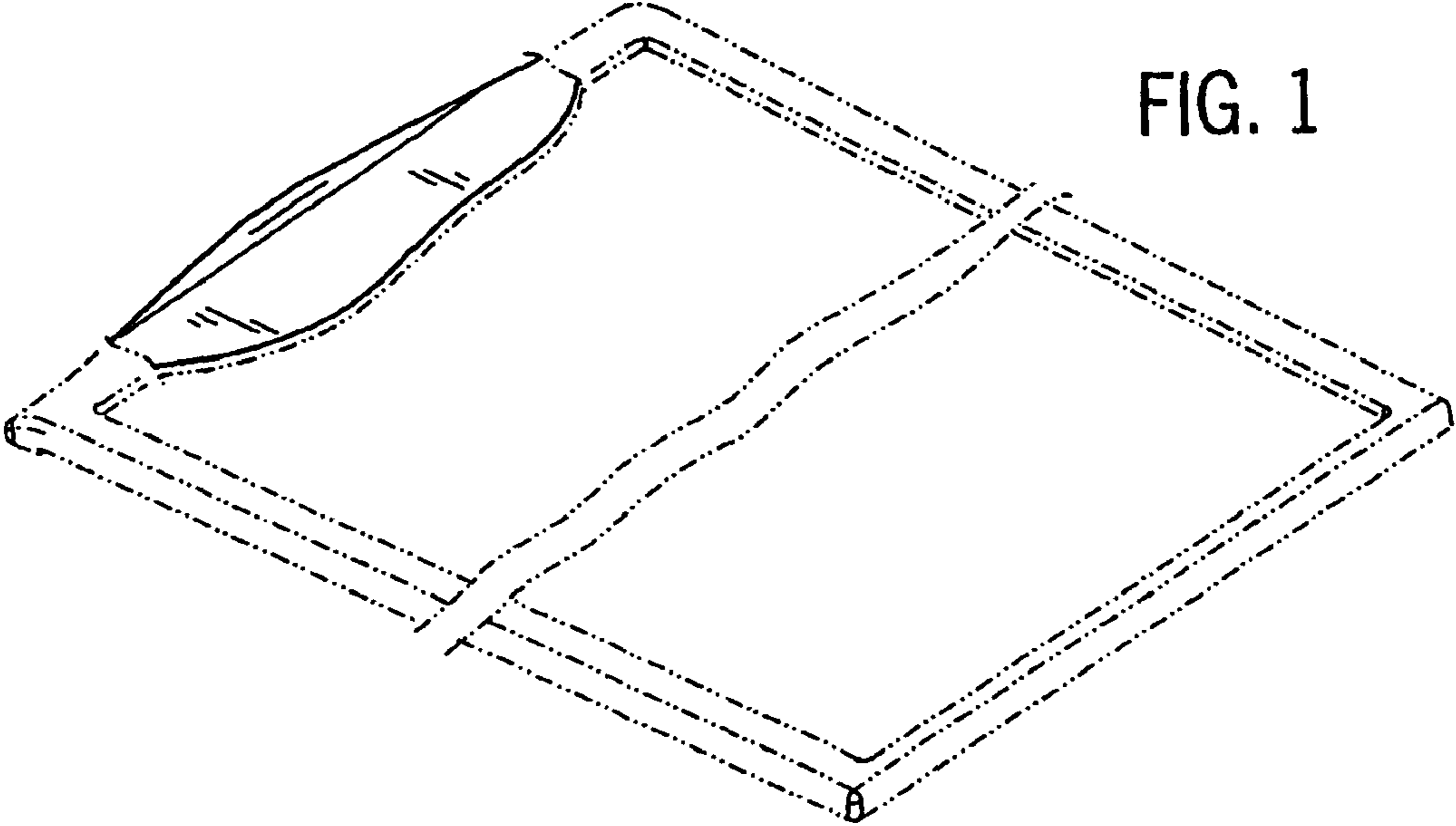
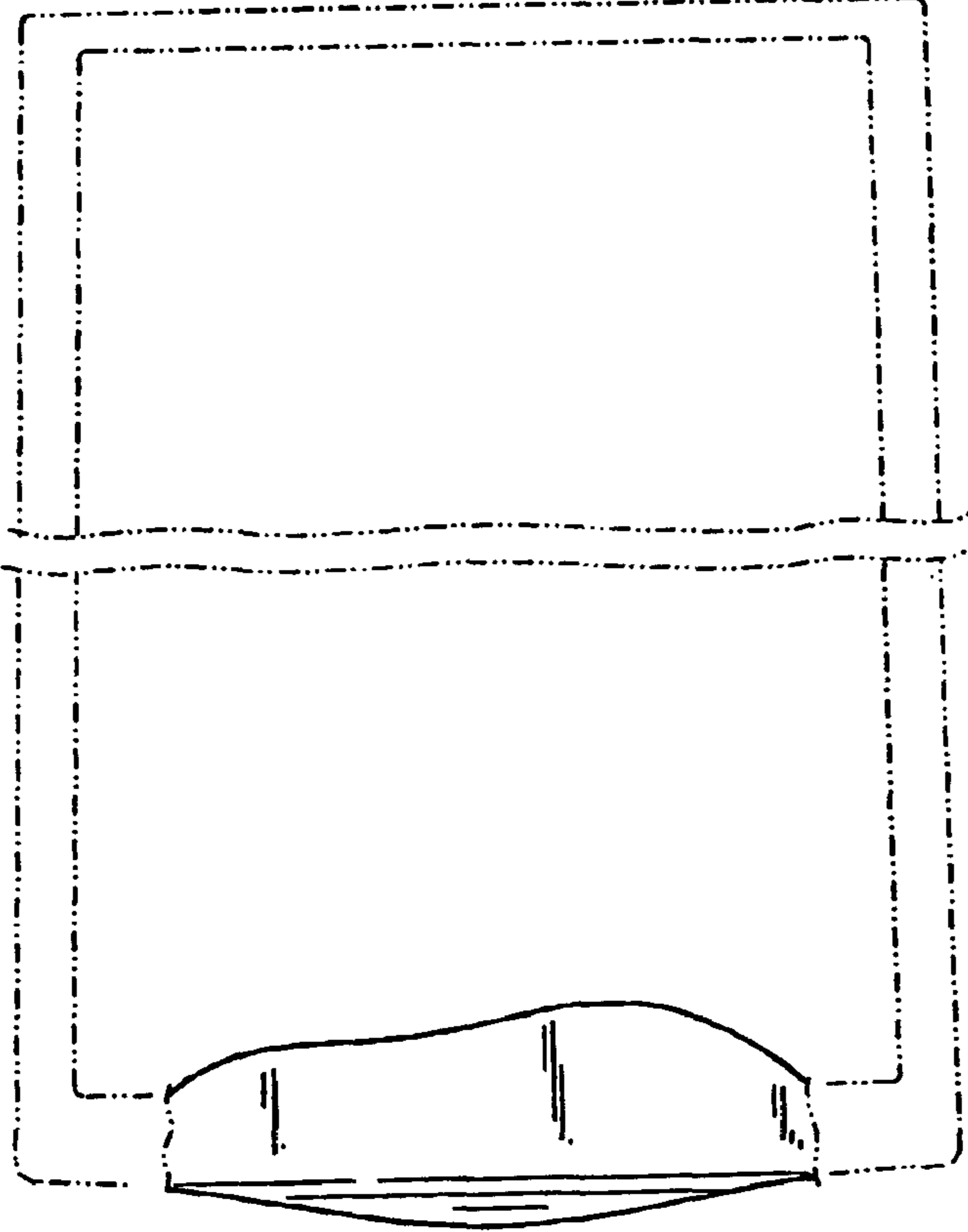


FIG. 1

FIG. 2



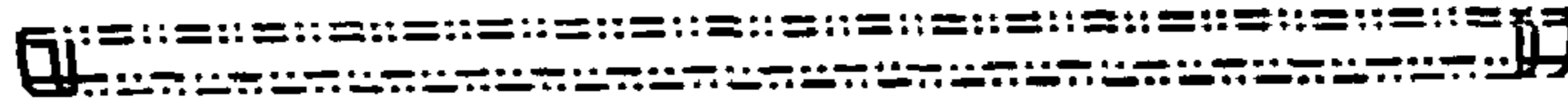


FIG. 3

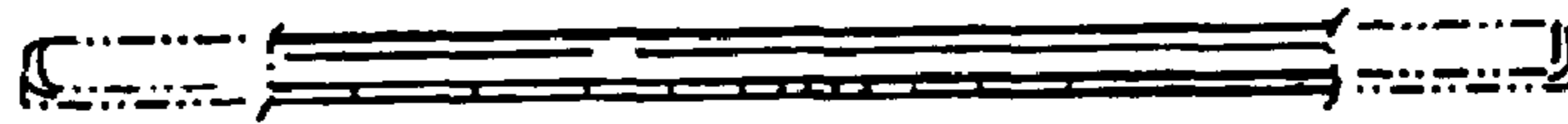


FIG. 4

FIG. 5



FIG. 6

