



US00D505139S

(12) **United States Design Patent**
Jackovin

(10) **Patent No.:** **US D505,139 S**

(45) **Date of Patent:** **** May 17, 2005**

(54) **DOOR HANDLE FOR AN APPLIANCE**

(75) Inventor: **Gary B. Jackovin**, Ankeny, IA (US)

(73) Assignee: **Maytag Corporation**, Newton, IA (US)

(**) Term: **14 Years**

(21) Appl. No.: **29/180,661**

(22) Filed: **Apr. 29, 2003**

(51) **LOC (7) Cl.** **15-07**

(52) **U.S. Cl.** **D15/89**

(58) **Field of Search** D15/79-91; D32/2-3;
D8/302, 315, 317, 319, 320, 316; 16/415,
412, 436; 62/250, 457, 445, 125, 127, 371,
444; 312/114, 116, 128, 235

(56) **References Cited**

U.S. PATENT DOCUMENTS

D166,862 S	*	5/1952	Mason	D8/302
D181,119 S	*	10/1957	Boutin	D8/317
D181,671 S	*	12/1957	Petkwitz	D8/319
D205,695 S	*	9/1966	Sundberg	D10/115
D206,050 S		10/1966	Anders		
3,585,101 A		6/1971	Stratton et al.		
D327,196 S		6/1992	Crook et al.		
5,675,867 A		10/1997	Howie, Jr.		
D438,776 S	*	3/2001	Boscherini	D8/316
D453,169 S	*	1/2002	Ma et al.	D15/81
6,363,926 B1		4/2002	Stephen et al.		
6,430,780 B1	*	8/2002	Kim et al.	16/412
D471,075 S	*	3/2003	Fields	D8/316
6,546,597 B2	*	4/2003	Atalla et al.	16/436
D483,776 S	*	12/2003	Ma et al.	D15/81

* cited by examiner

Primary Examiner—Mitchell Siegel

(74) *Attorney, Agent, or Firm*—Diederiks & Whitelaw PLC

(57) **CLAIM**

The ornamental design for a door handle for an appliance, as shown and described.

DESCRIPTION

FIG. 1 is a upper left perspective view of a door handle for an appliance, showing my new design;

FIG. 2 is a front elevational view of the door handle of FIG. 1 illustrating black, low gloss end portions arranged on either side of a bright, central knurled portion;

FIG. 3 is a rear elevational view of the door handle of FIG. 1;

FIG. 4 is a right side elevational view of the door handle of FIG. 1, with the left side elevational view being a mirror image thereof; and,

FIG. 5 is a top view of the door handle of FIG. 1, with the bottom view being a mirror image thereof.

The broken lines in FIG. 1 showing one exemplary appliance employing the door handle of the invention and the broken lines depicting terminal door handle mounting brackets in each of FIGS. 1-5 are for illustrative purposes only and form no part of the claimed invention. Instead, it should be understood that the door handle of the invention can be utilized with a wide range of appliances, including, for example, ranges, ice makers, gas grills, wall ovens, and washing machines.

1 Claim, 3 Drawing Sheets

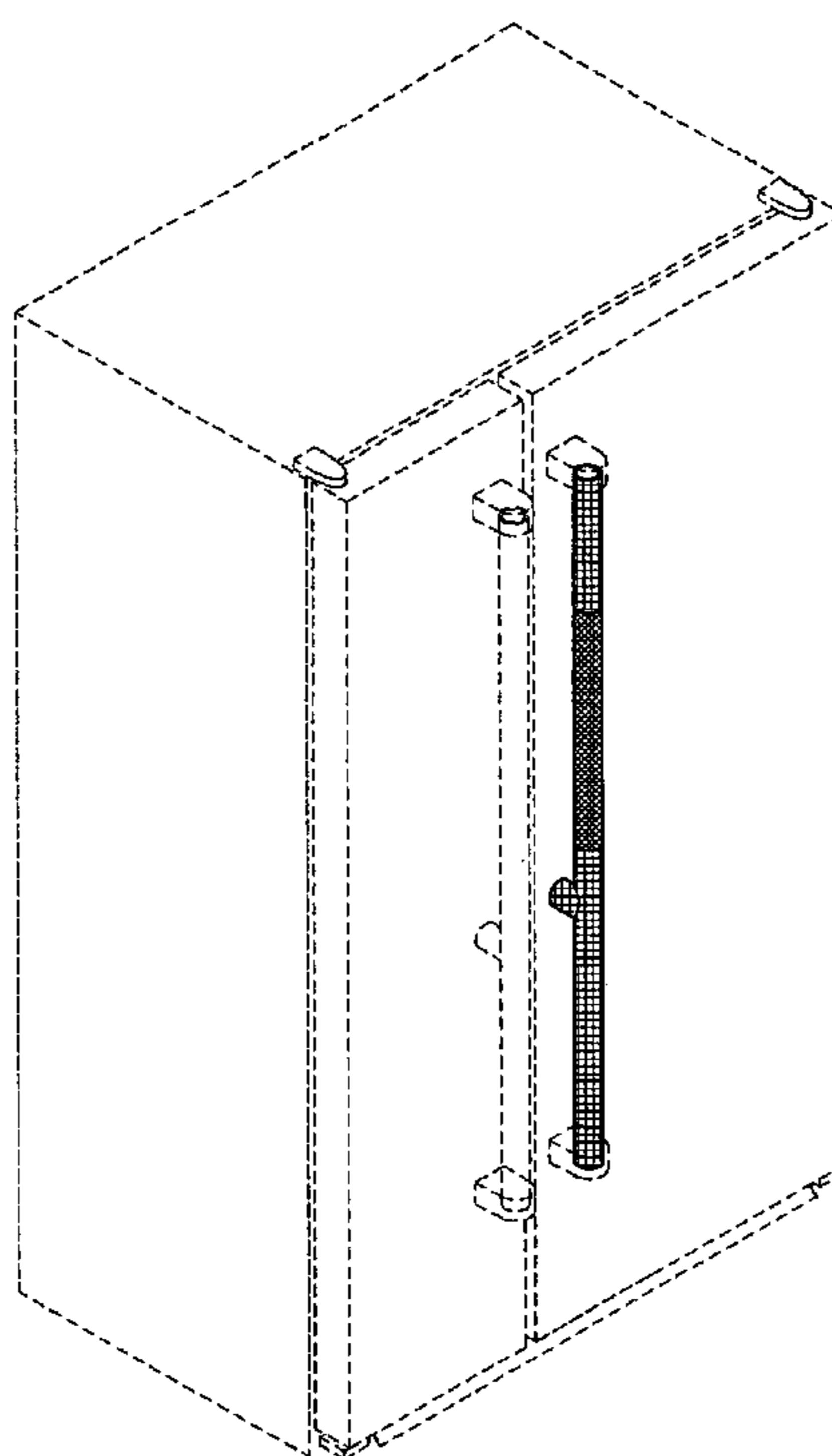


FIG. 1

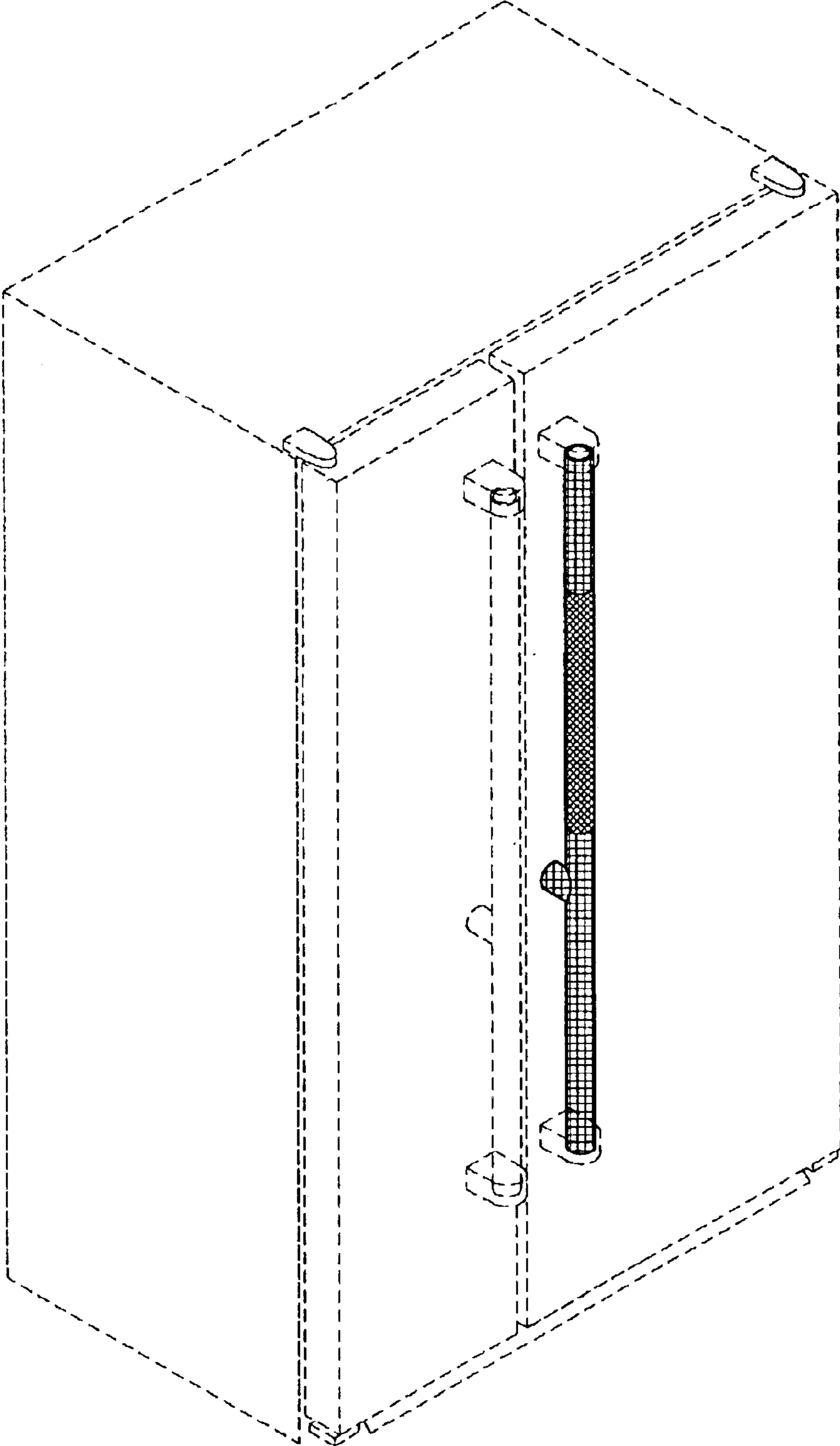


FIG. 2

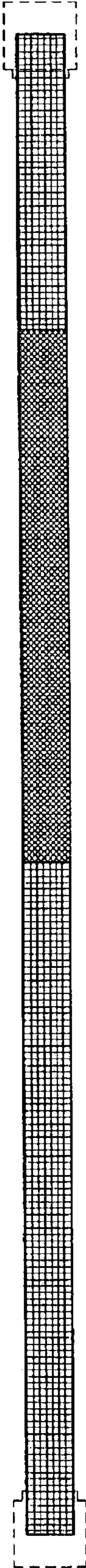


FIG. 3

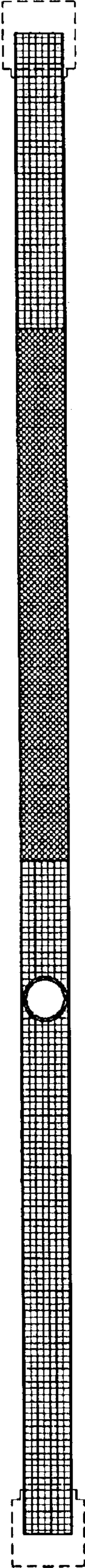


FIG. 4

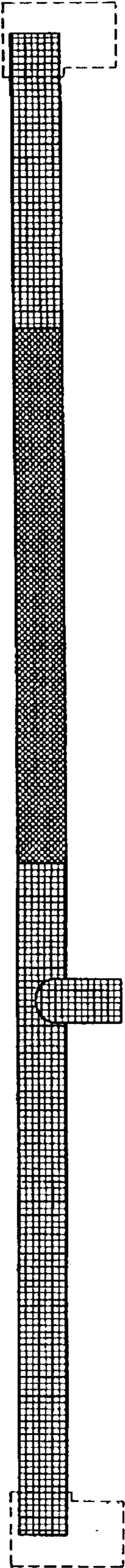


FIG. 5

