



US00D505138S

(12) **United States Design Patent**
Takayasu et al.

(10) **Patent No.:** **US D505,138 S**
(45) **Date of Patent:** **** May 17, 2005**

(54) **SEWING MACHINE**

(75) Inventors: **Toshiya Takayasu**, Arlington Heights, IL (US); **Chen Qu Bo**, Tang Dong Pu (CN)

(73) Assignee: **Jamac, Inc.**, Elk Grove Village, IL (US)

(**) Term: **14 Years**

(21) Appl. No.: **29/199,862**

(22) Filed: **Feb. 18, 2004**

(51) **LOC (7) Cl.** **15-06**

(52) **U.S. Cl.** **D15/69**

(58) **Field of Search** D15/66, 69; 112/258-261, 112/63, 217.1-217.4, 444

(56) **References Cited**

U.S. PATENT DOCUMENTS

D250,649 S	12/1978	Hirano
D280,730 S	9/1985	Uchida et al.
D285,571 S	9/1986	Eguchi et al.
D290,368 S	6/1987	Eguchi
4,748,925 A	6/1988	Takei et al.
D314,390 S	2/1991	Kuroki
D348,292 S	6/1994	Chiu
D392,652 S	3/1998	Takada et al.
D403,333 S	12/1998	Takada et al.
D430,886 S	9/2000	Yamamoto
D450,720 S	11/2001	Kuroki

(Continued)

Primary Examiner—Mitchell Siegel

(74) *Attorney, Agent, or Firm*—Polsinelli Shalton Welte Suelthaus PC

(57) **CLAIM**

The ornamental design for a sewing machine, as shown.

DESCRIPTION

FIG. 1 is a top-right perspective view of a first embodiment of a sewing machine of the present invention;

FIG. 2 is a right-side view of the first embodiment of the sewing machine of the present invention;

FIG. 3 is a left-side view of the first embodiment of the sewing machine of the present invention;

FIG. 4 is a front view of the first embodiment of the sewing machine of the present invention;

FIG. 5 is a rear view of the first embodiment of the sewing machine of the present invention;

FIG. 6 is a bottom view of the first embodiment of the sewing machine of the present invention;

FIG. 7 is a bottom-right perspective view of the first embodiment of the sewing machine of the present invention;

FIG. 8 is a bottom-left perspective view of the first embodiment of the sewing machine of the present invention;

FIG. 9 is a top view of the first embodiment of the sewing machine of the present invention;

FIG. 10 is a top-left perspective view of the first embodiment of the sewing machine of the present invention;

FIG. 11 is a top-right perspective view of a second embodiment of a sewing machine of the present invention;

FIG. 12 is a right-side view of the second embodiment of the sewing machine of the present invention;

FIG. 13 is a left-side view of the second embodiment of the sewing machine of the present invention;

FIG. 14 is a front view of the second embodiment of the sewing machine of the present invention;

FIG. 15 is a rear view of the second embodiment of the sewing machine of the present invention;

FIG. 16 is a bottom view of the second embodiment of the sewing machine of the present invention;

FIG. 17 is a bottom-right perspective view of the second embodiment of the sewing machine of the present invention;

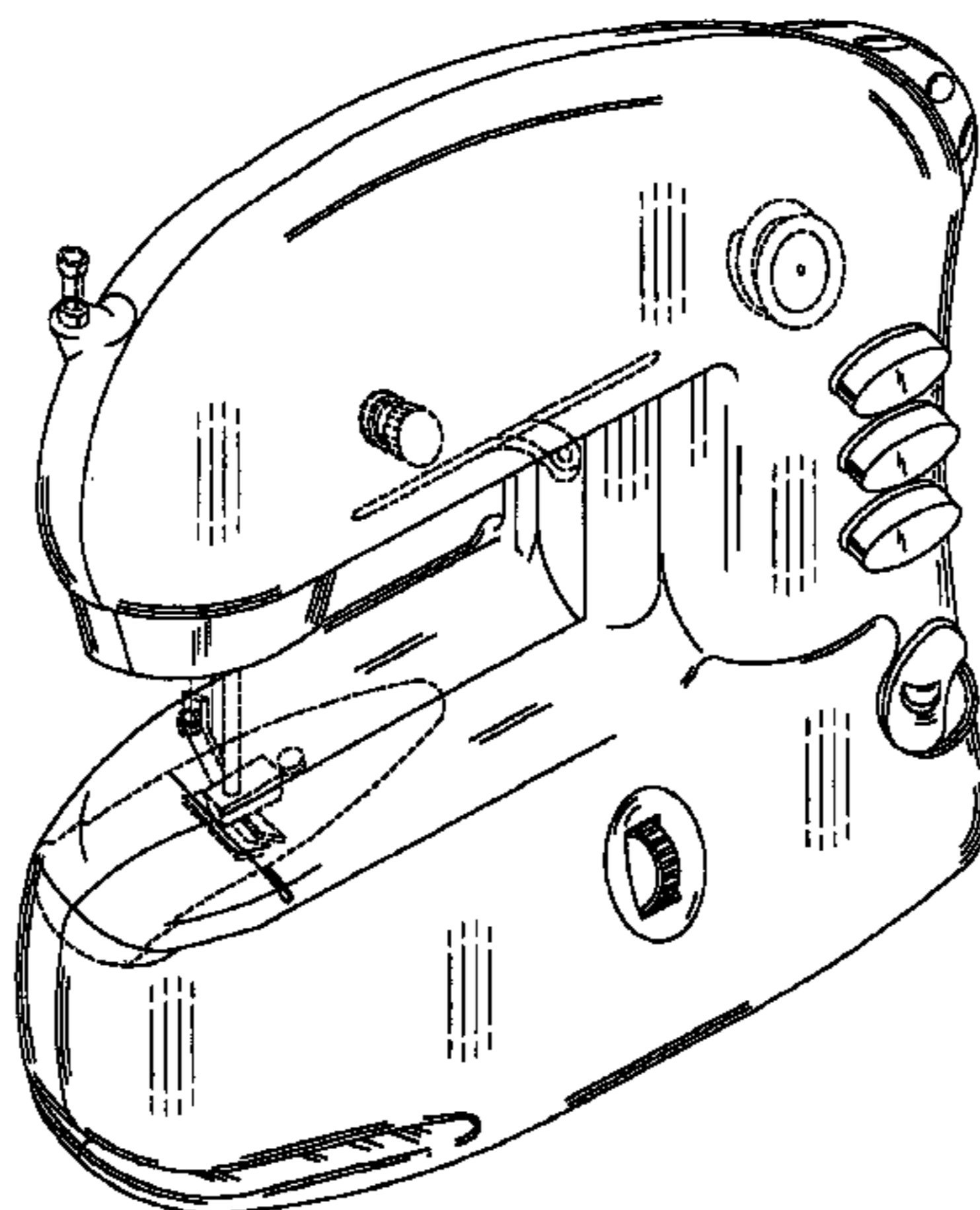
FIG. 18 is a bottom-left perspective view of the second embodiment of the sewing machine of the present invention;

FIG. 19 is a top view of the second embodiment of the sewing machine of the present invention; and,

FIG. 20 is a top-left perspective view of the second embodiment of the sewing machine of the present invention.

The broken line showing of is for illustrative purposes only and forms no part of the claimed design.

1 Claim, 20 Drawing Sheets



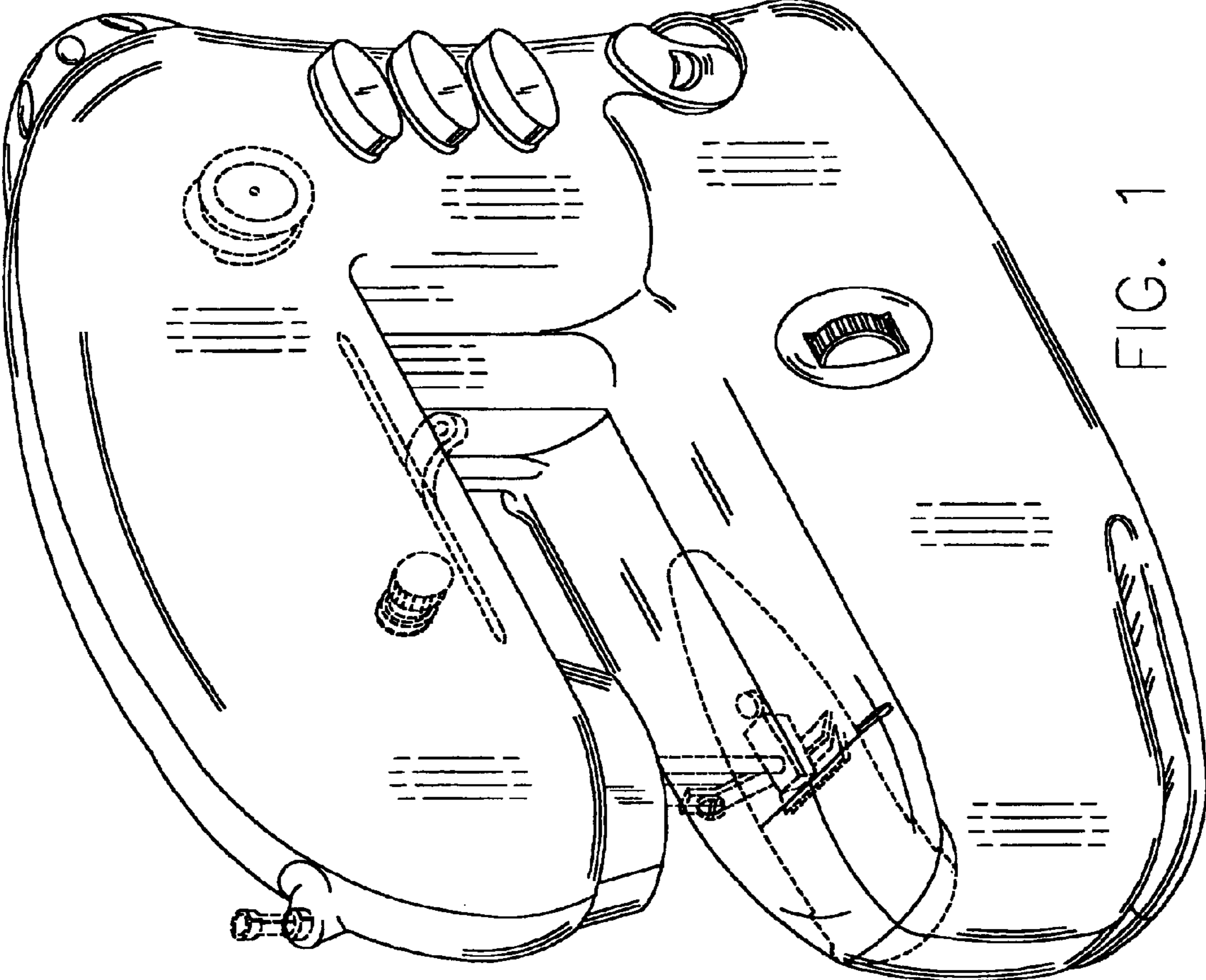
US D505,138 S

Page 2

U.S. PATENT DOCUMENTS

D450,722 S	11/2001	Kawaguchi	
D459,369 S	6/2002	Yamamoto et al.	
D459,737 S	7/2002	Kuroki	
D460,765 S	7/2002	Kuroki	
D462,703 S	* 9/2002	Farne	D15/69
D467,945 S	12/2002	Mori et al.	
D469,450 S	1/2003	Yamamoto	
D472,562 S	4/2003	Yamamoto et al.	
D474,207 S	5/2003	Kuroki	
D474,482 S	5/2003	Melzer-Muller	
D478,099 S	8/2003	Muto	
D478,337 S	8/2003	Kuroki	
D478,916 S	8/2003	Kuroki	
D481,738 S	* 11/2003	Egami	D15/69
D481,739 S	11/2003	Iwai	
D485,851 S	1/2004	Takayasu et al.	

* cited by examiner



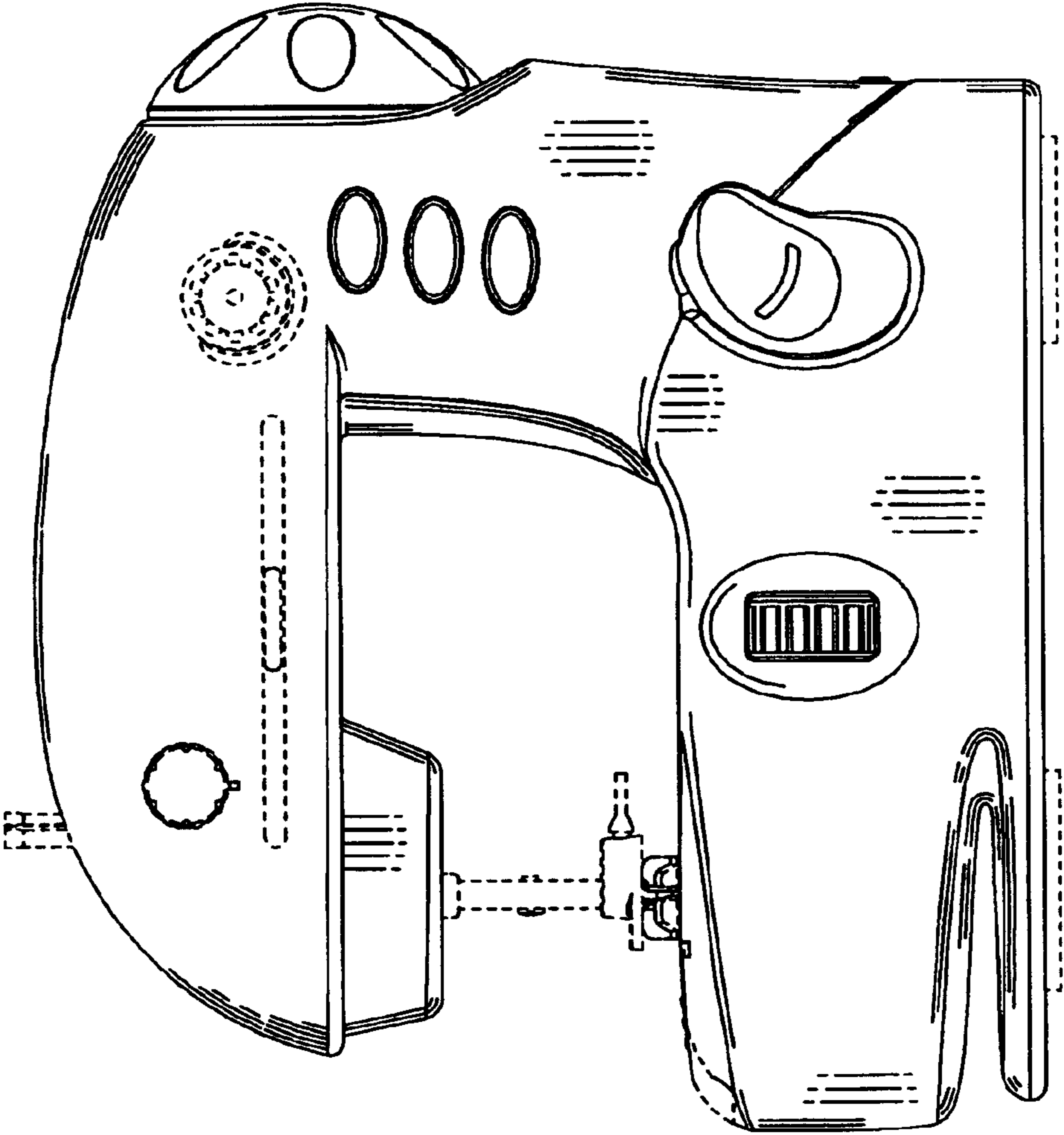


FIG. 2

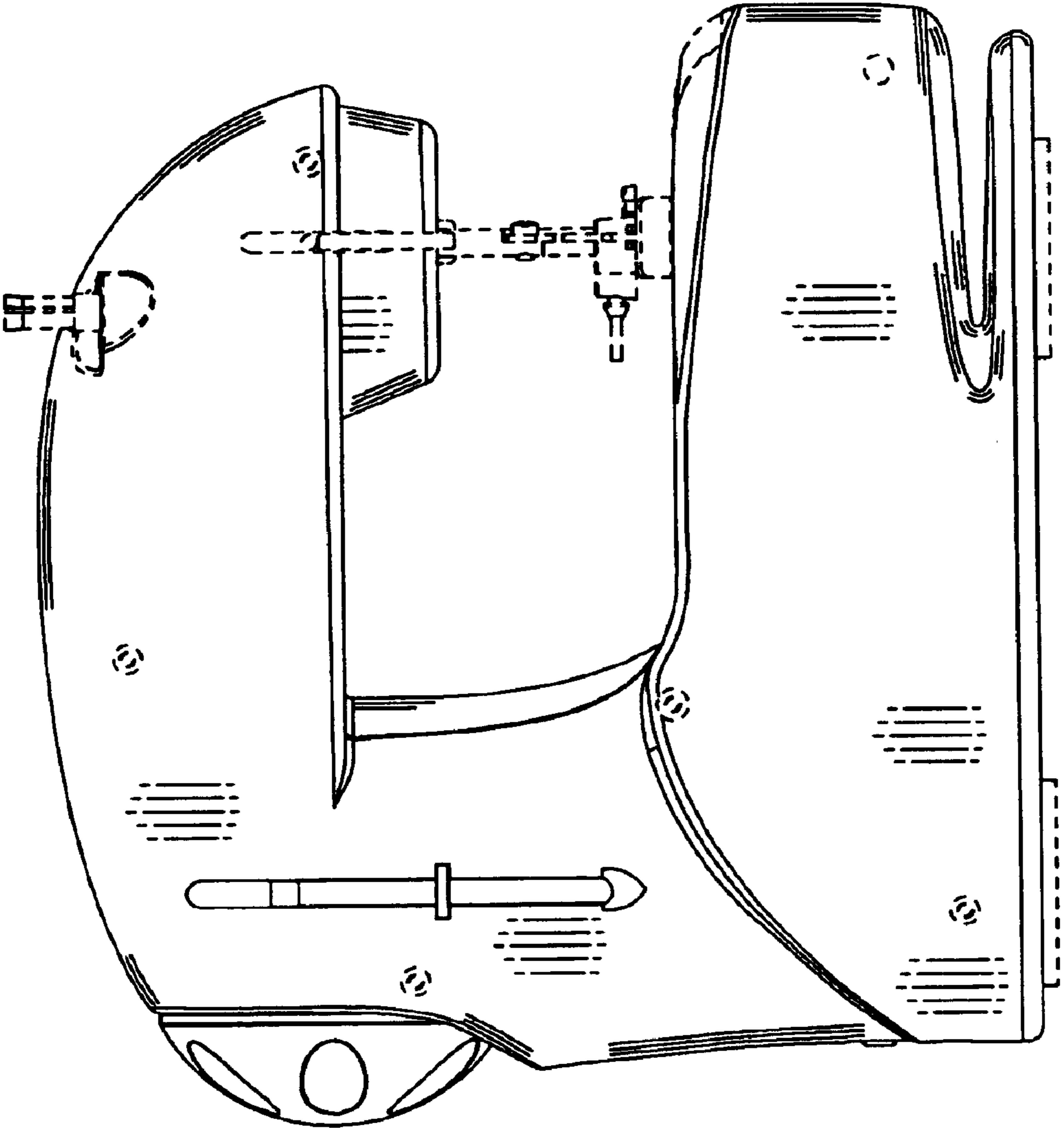


FIG. 3

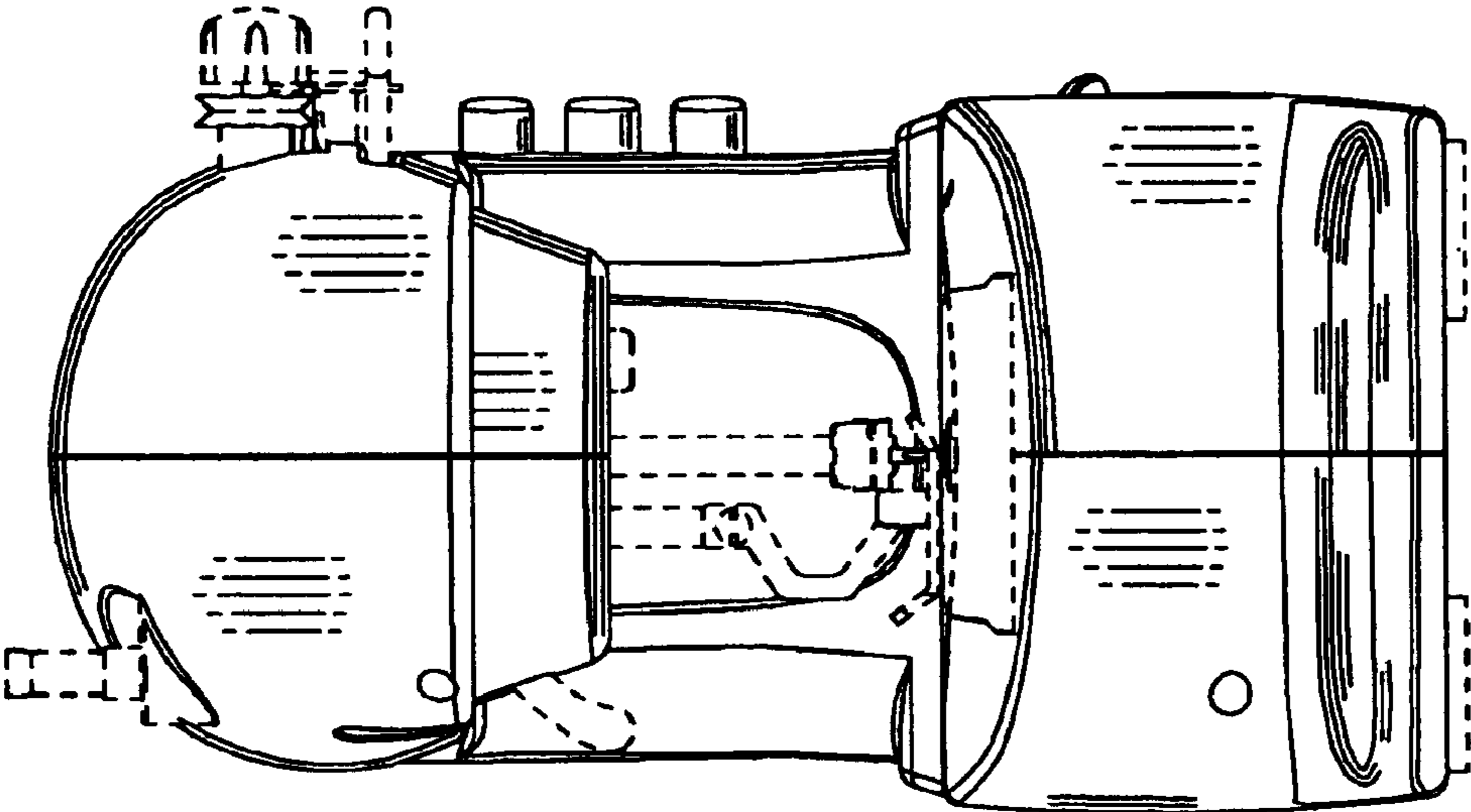


FIG. 4

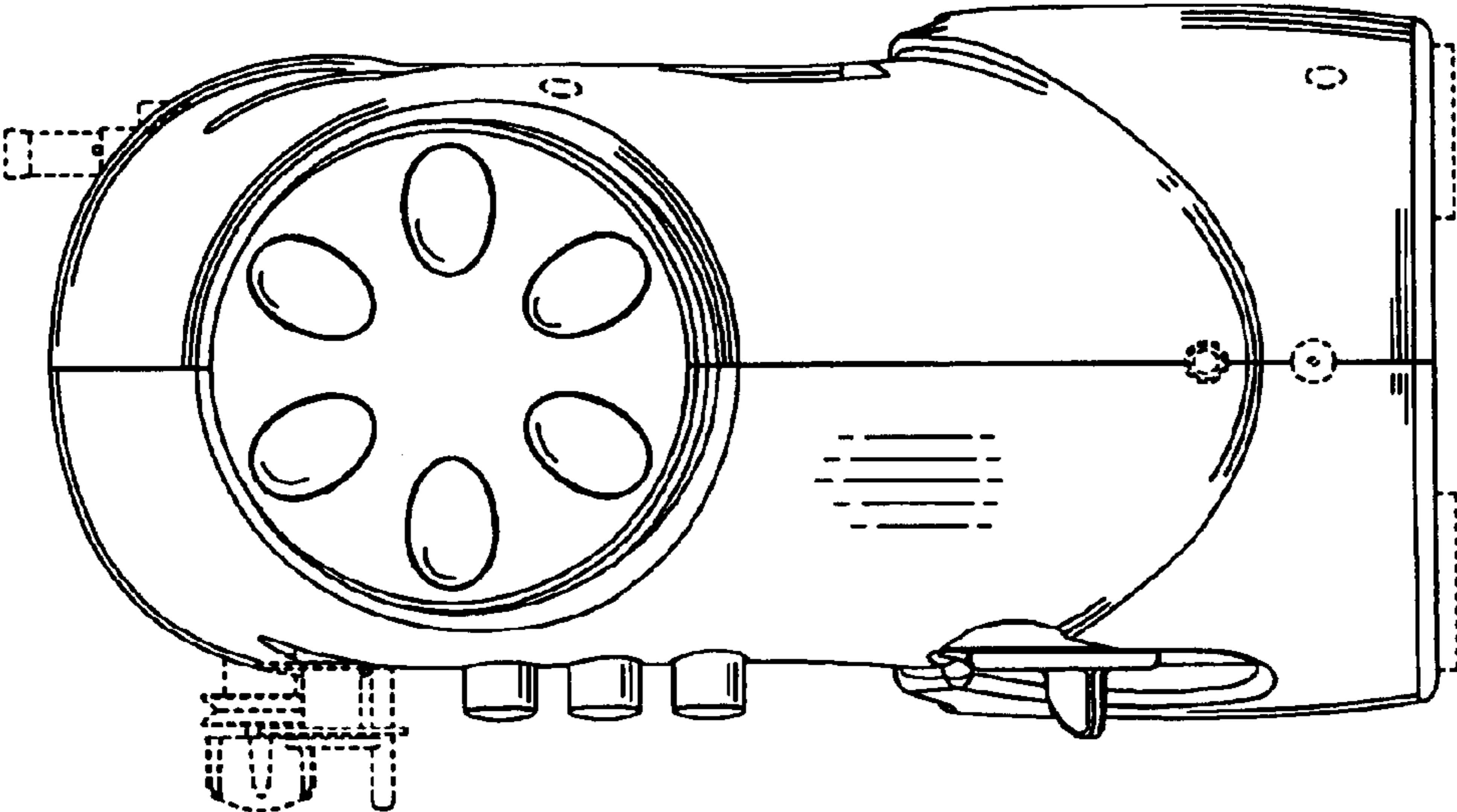


FIG. 5

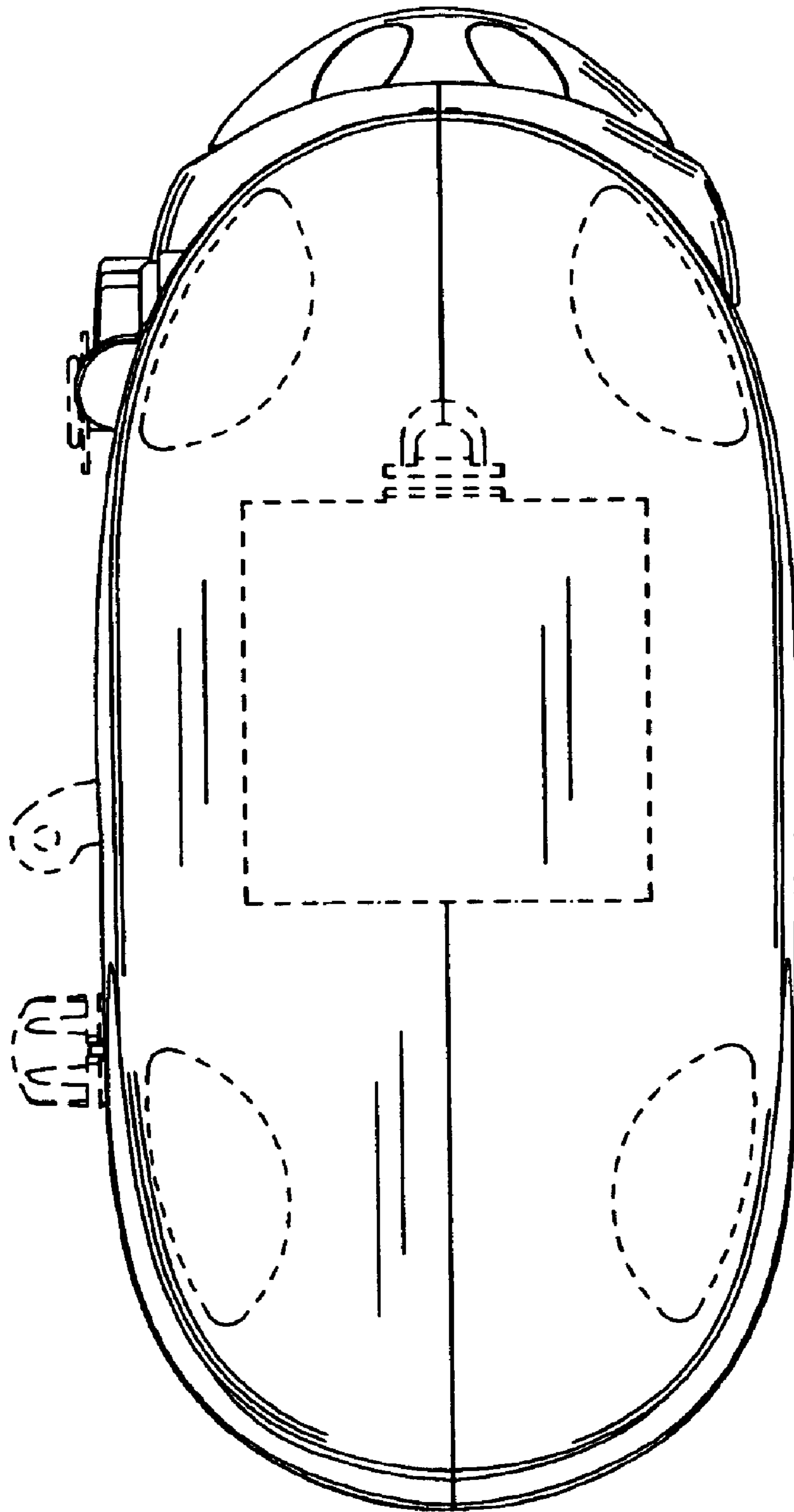
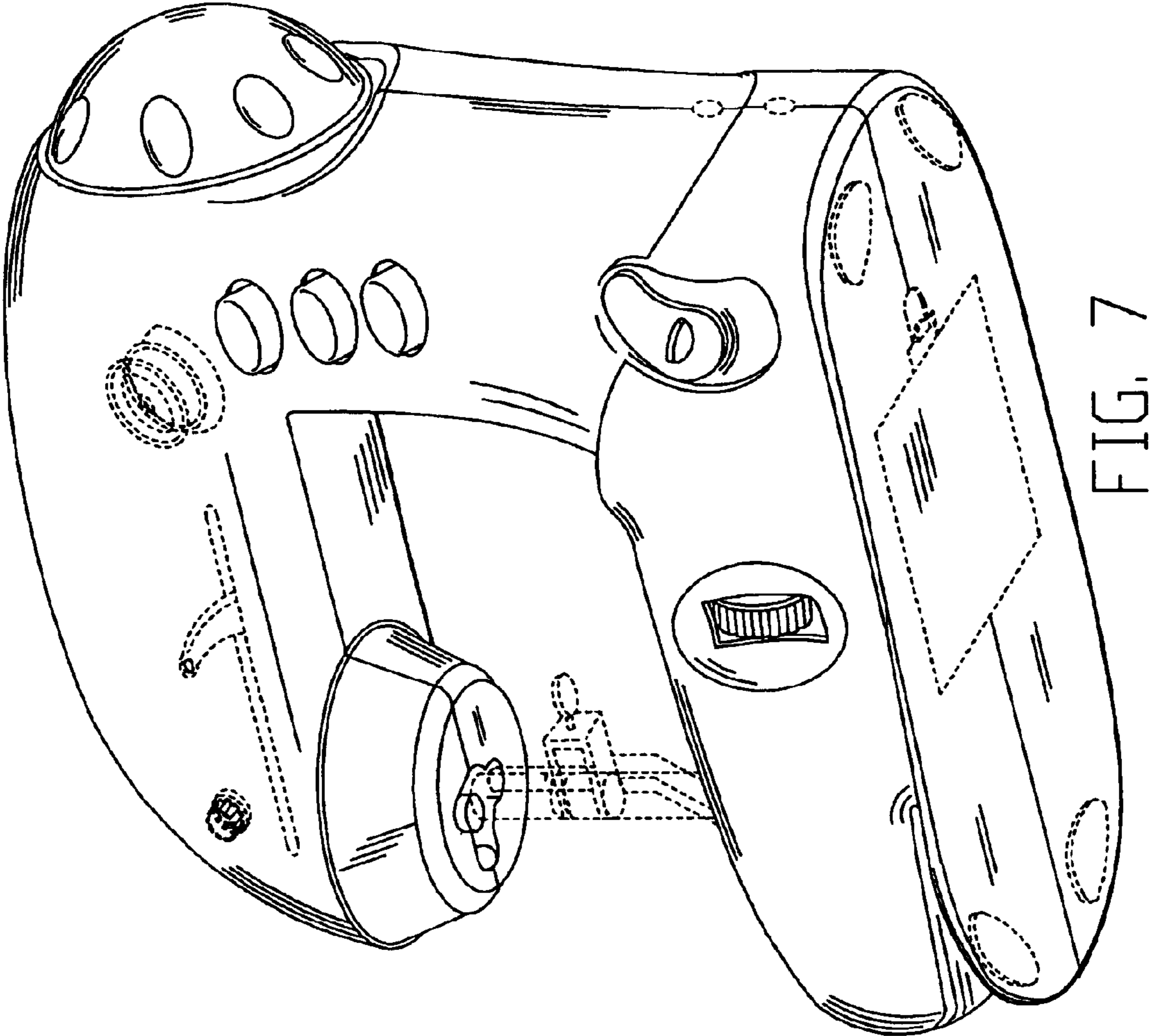


FIG. 6



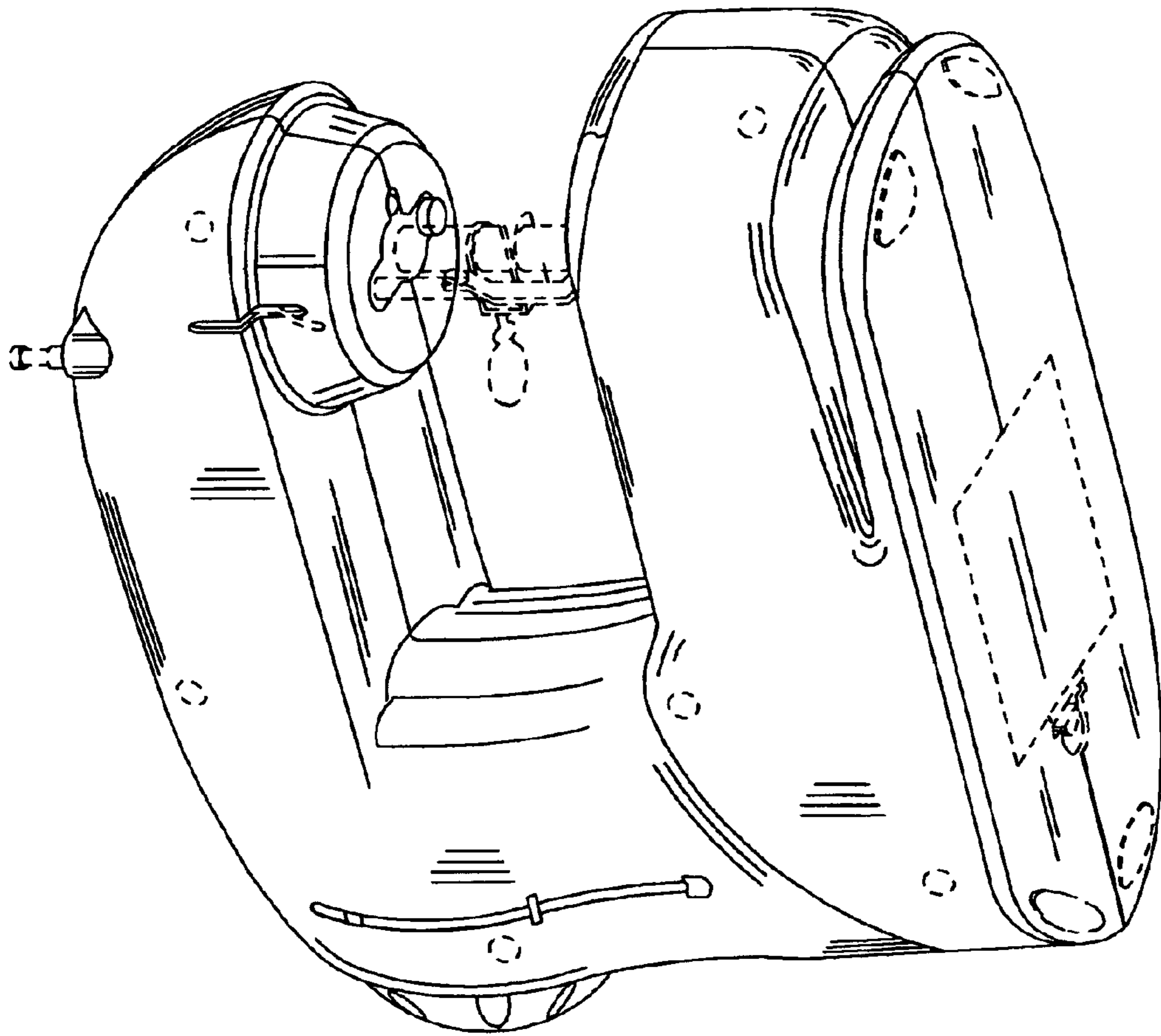


FIG. 8

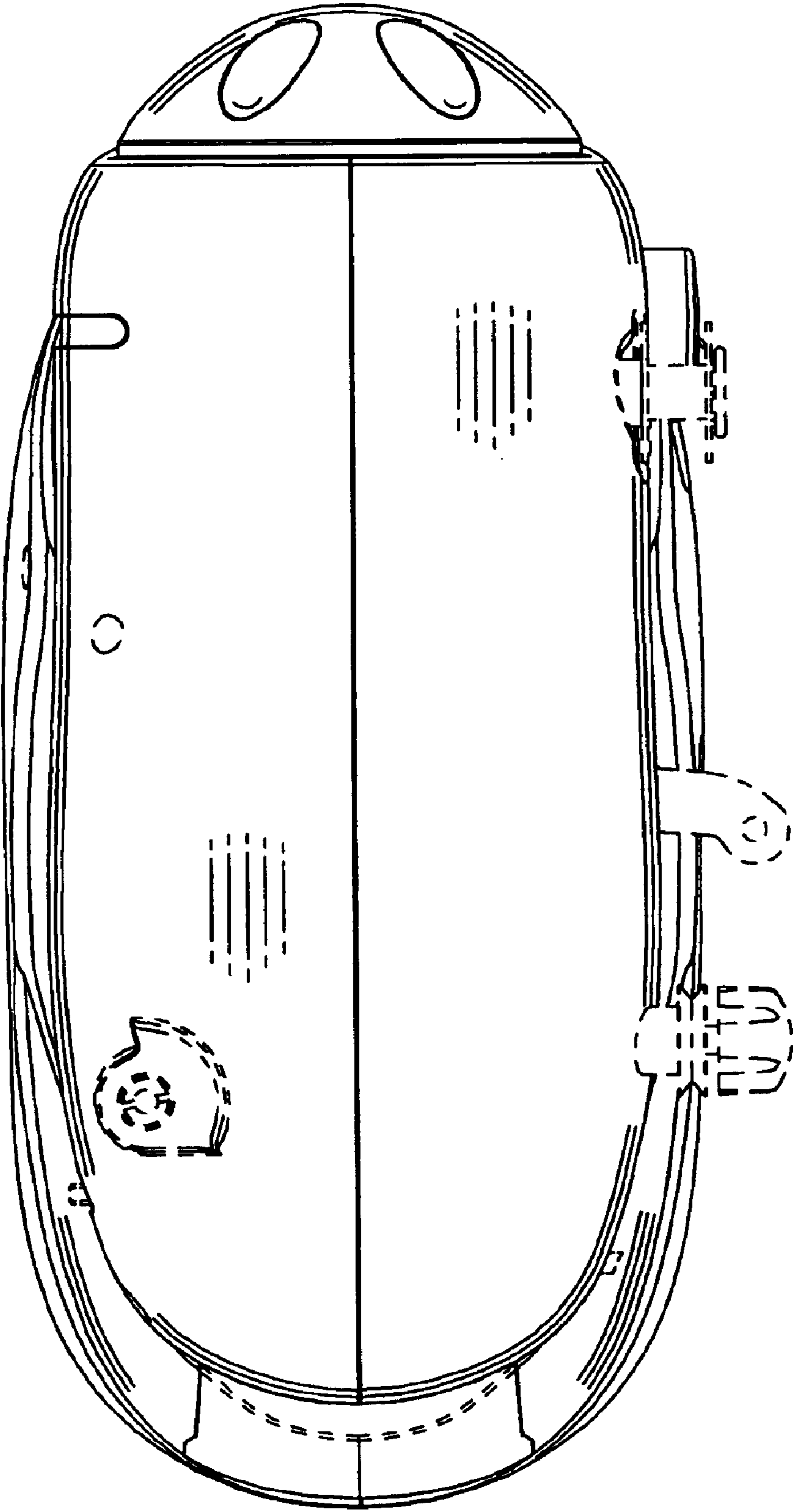


FIG. 9

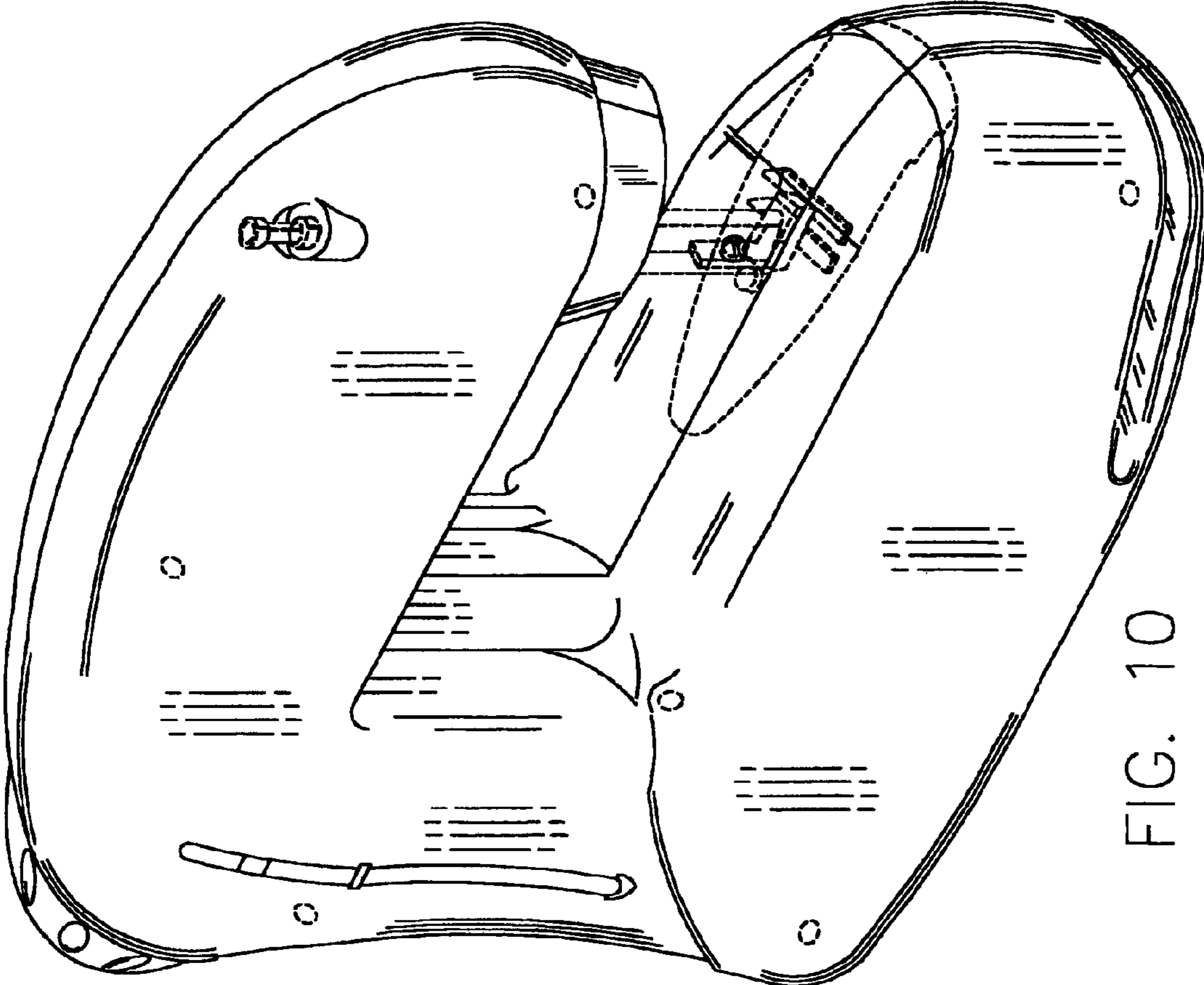


FIG. 10

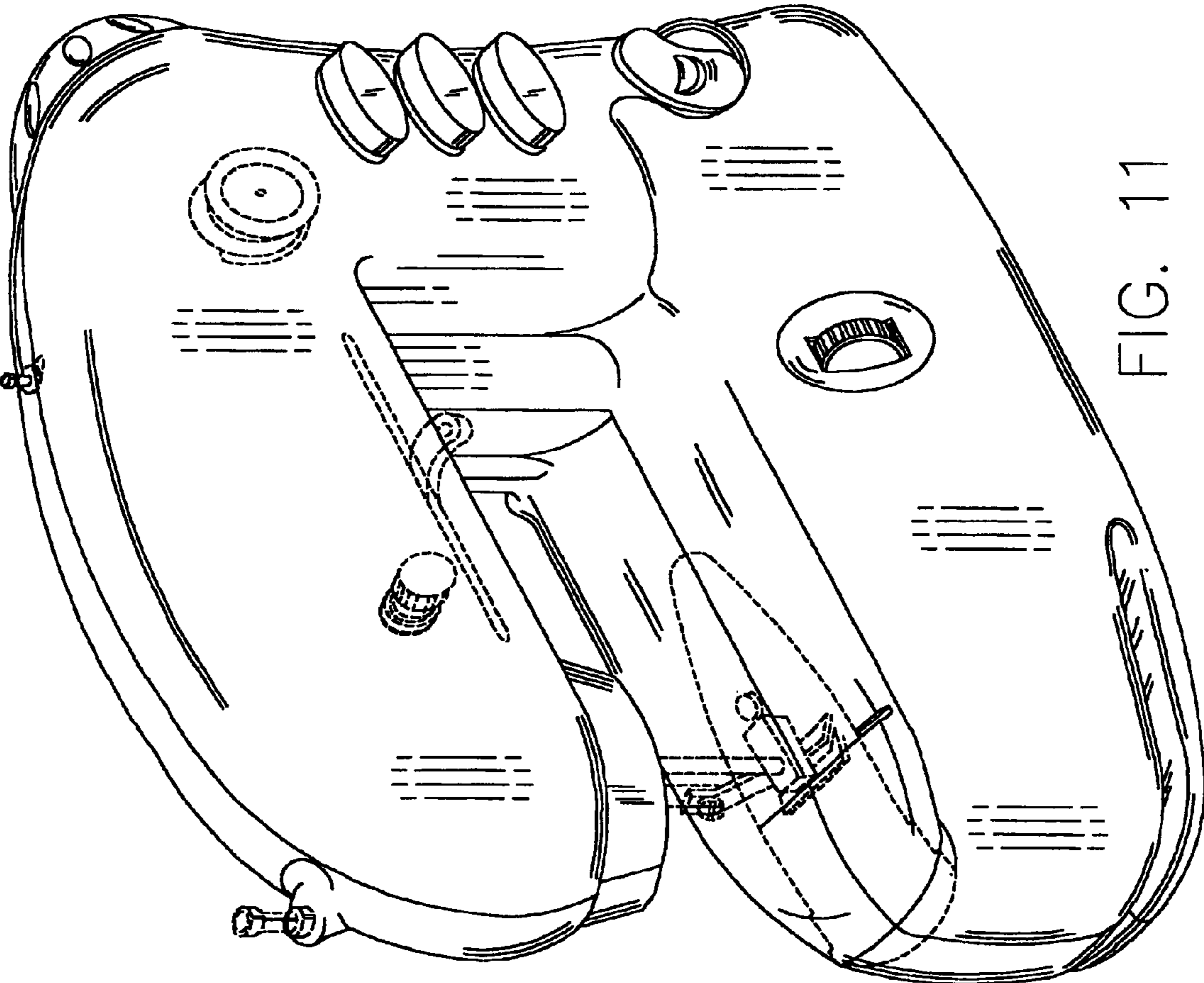


FIG. 11

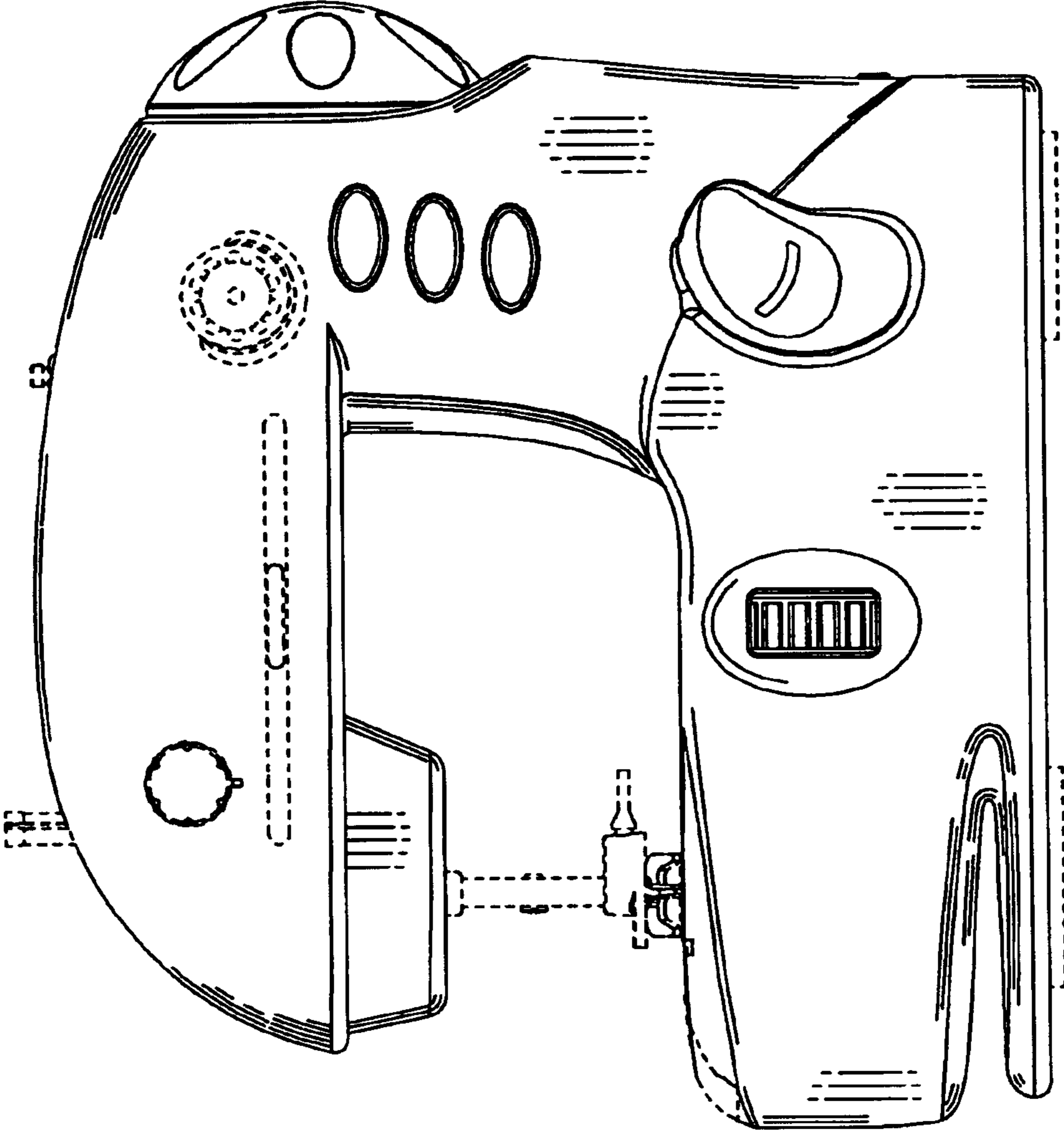


FIG. 12

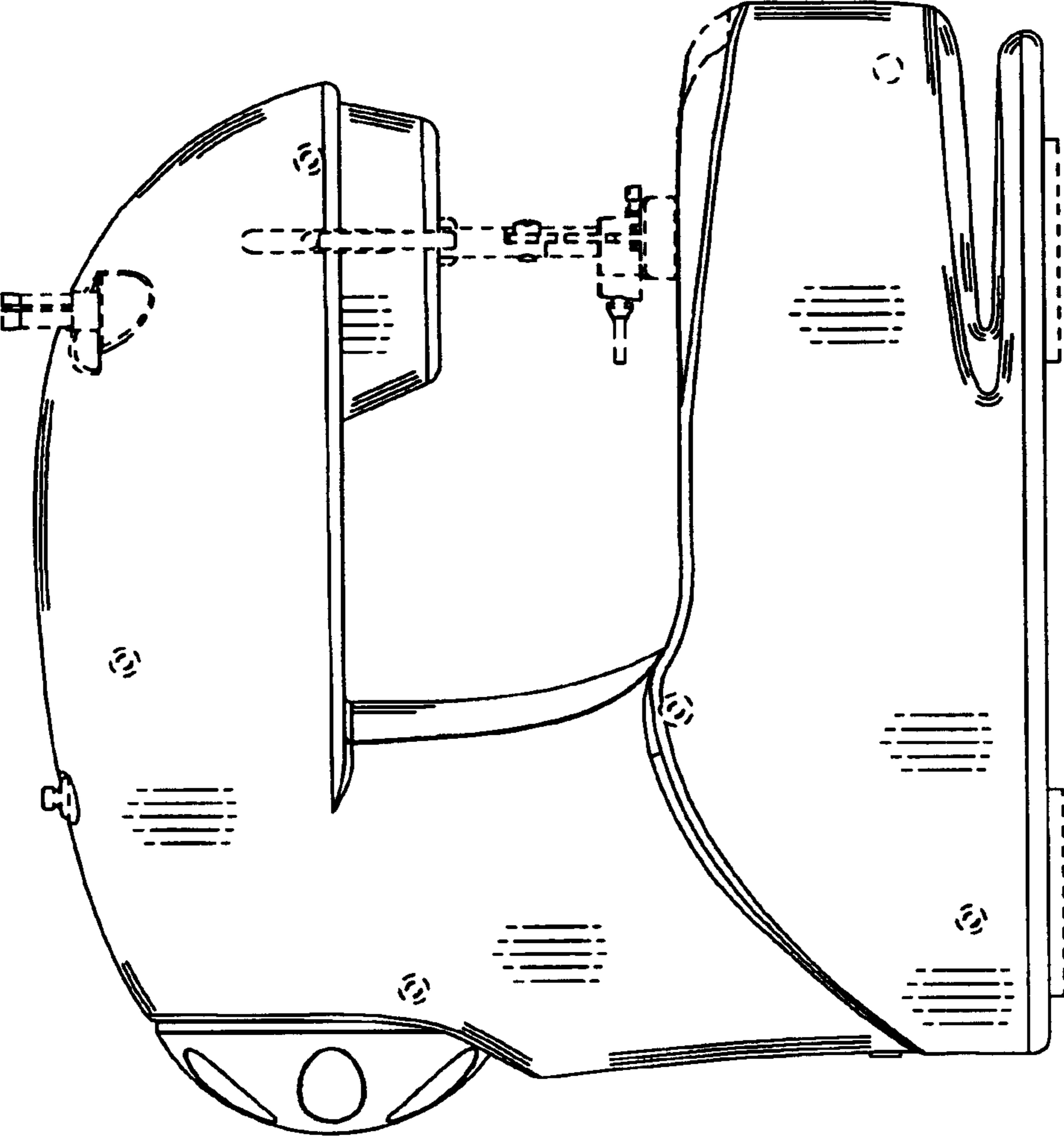


FIG. 13

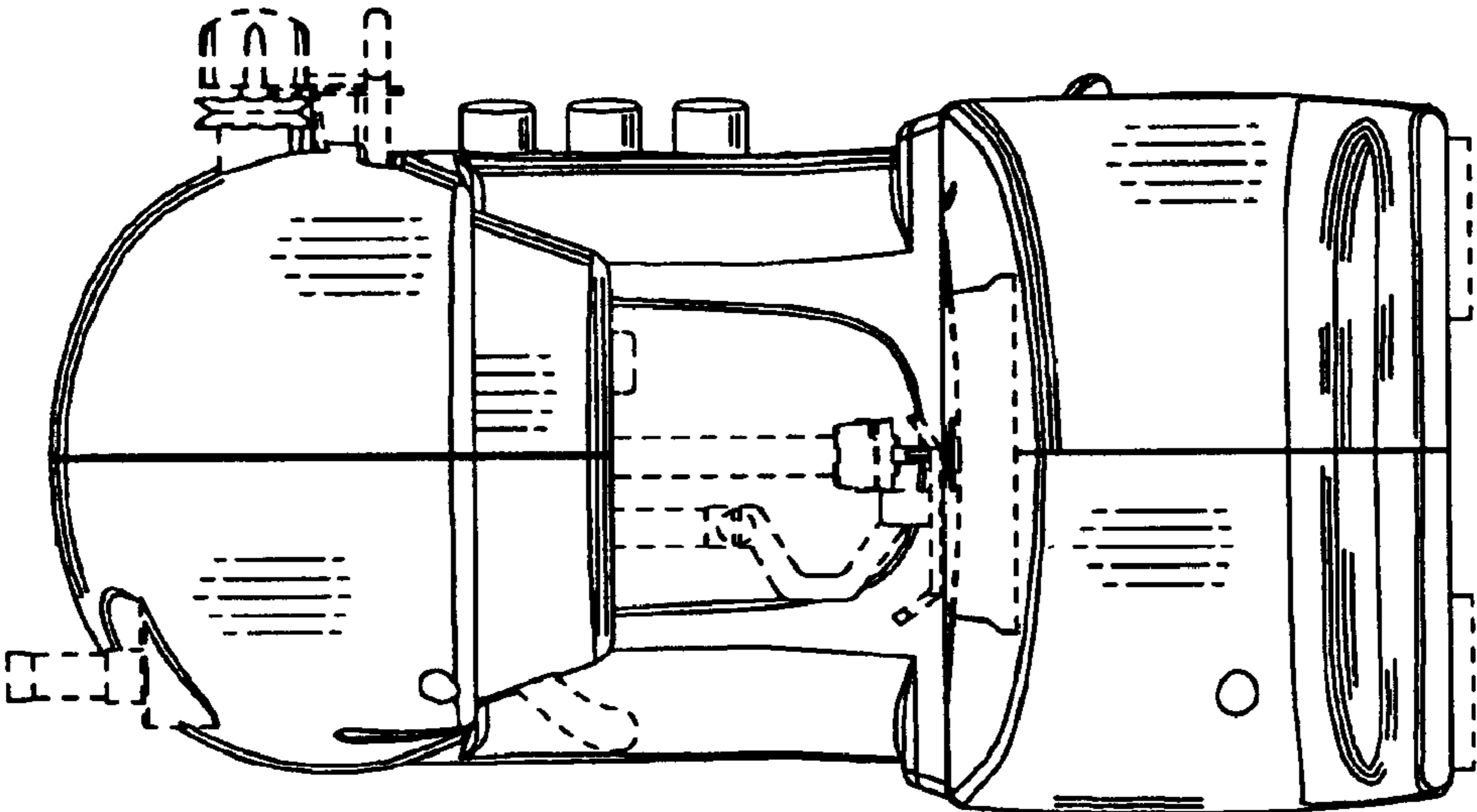


FIG. 14

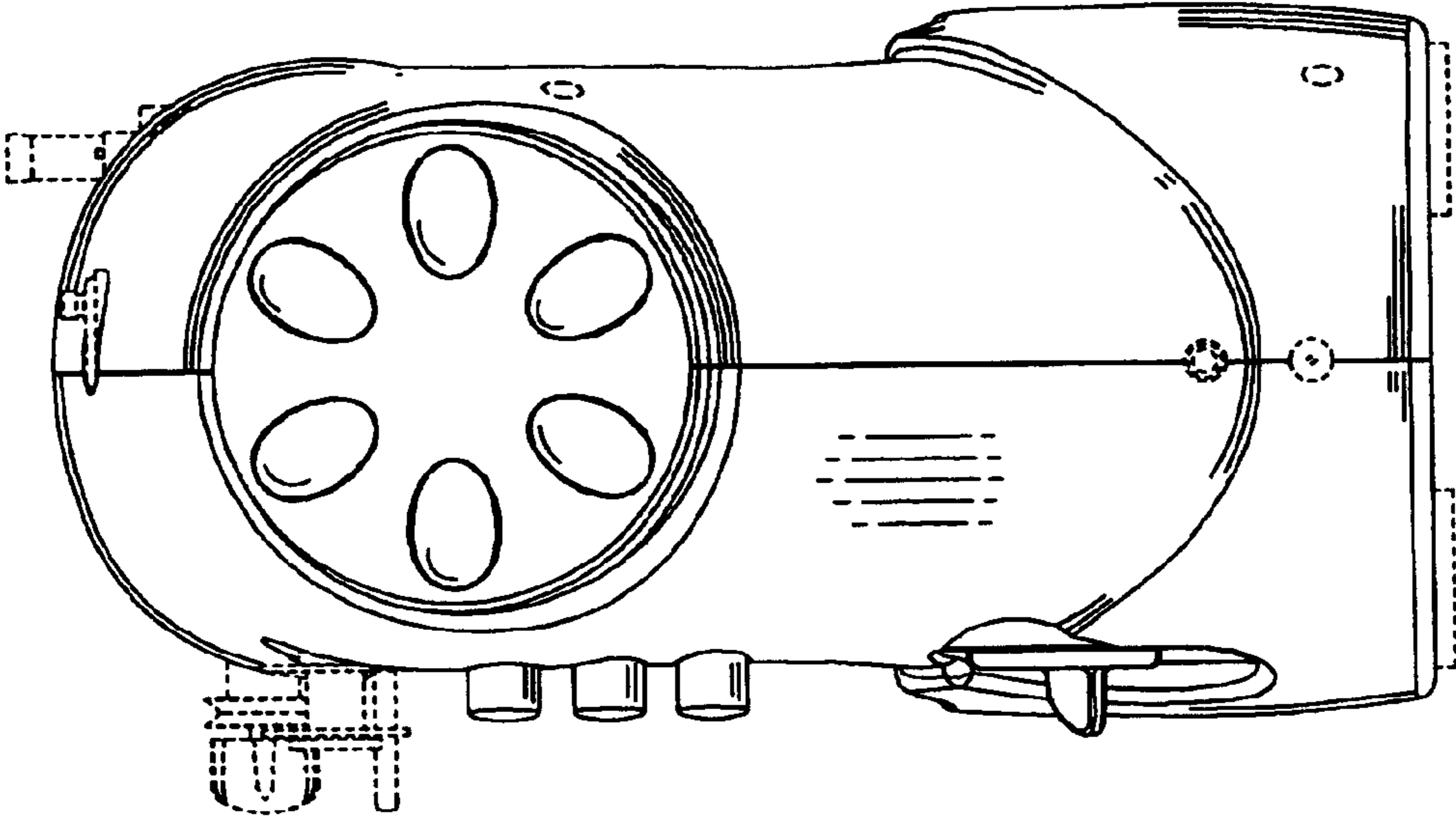


FIG. 15

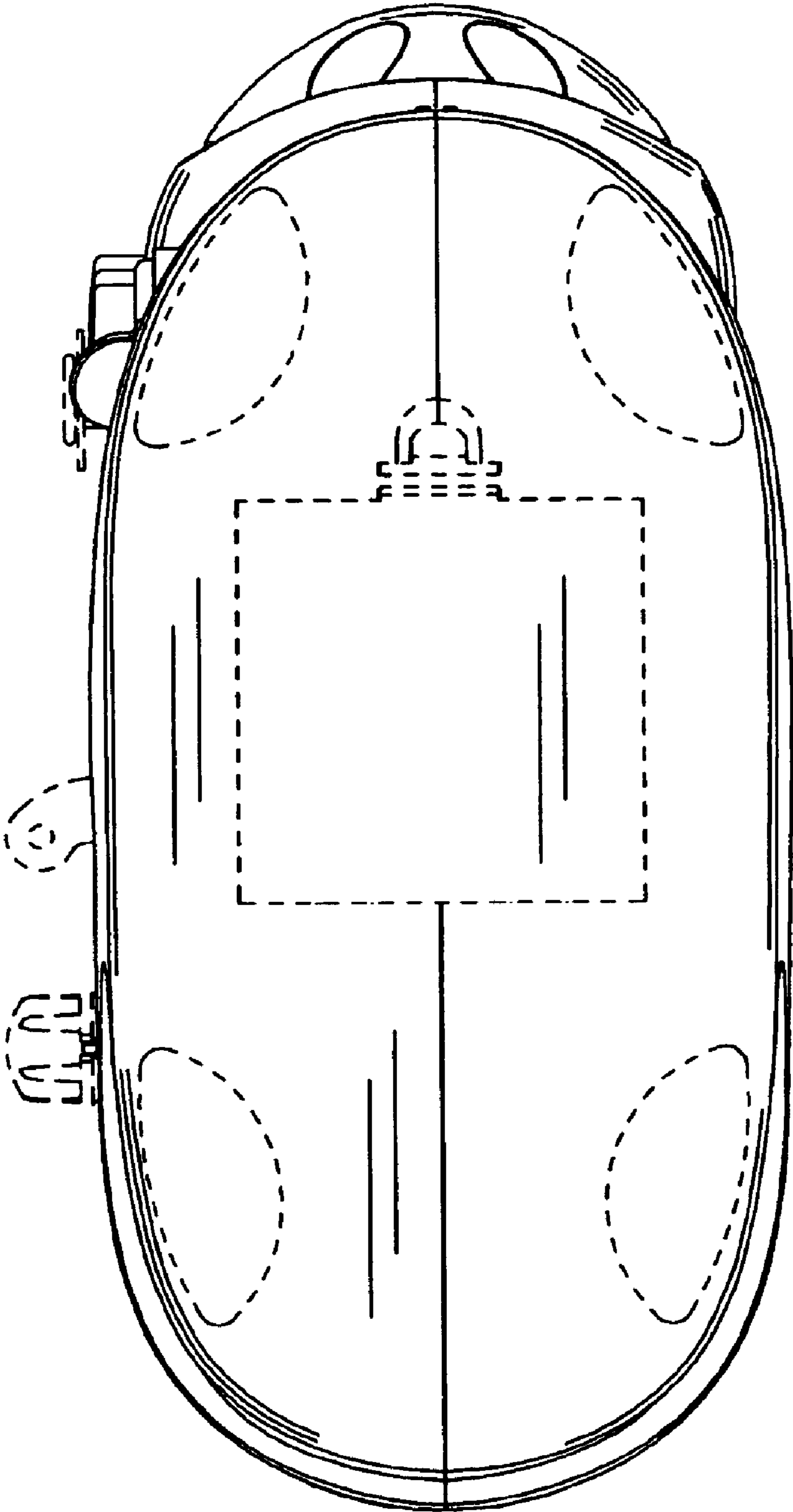


FIG. 16

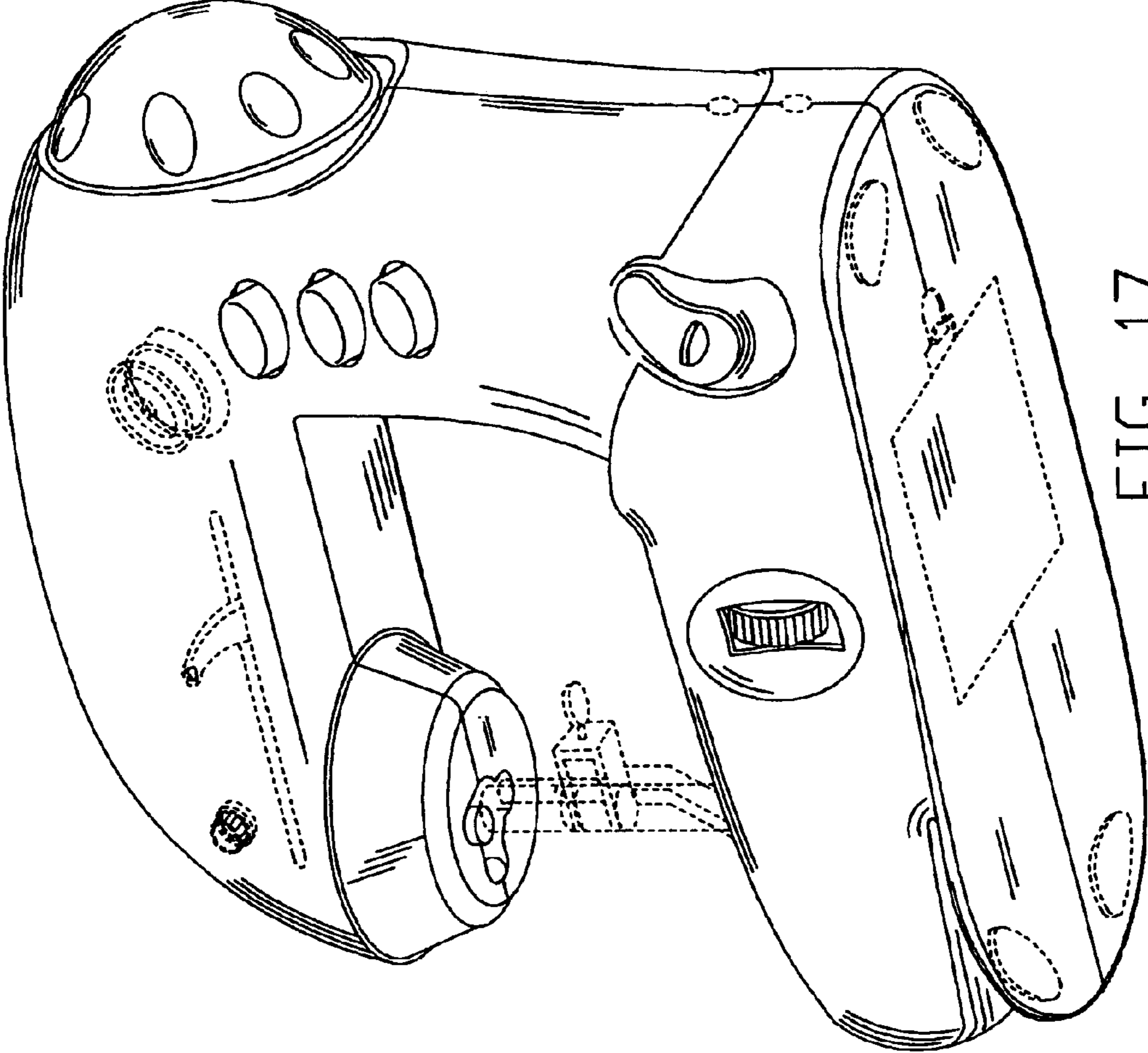


FIG. 17

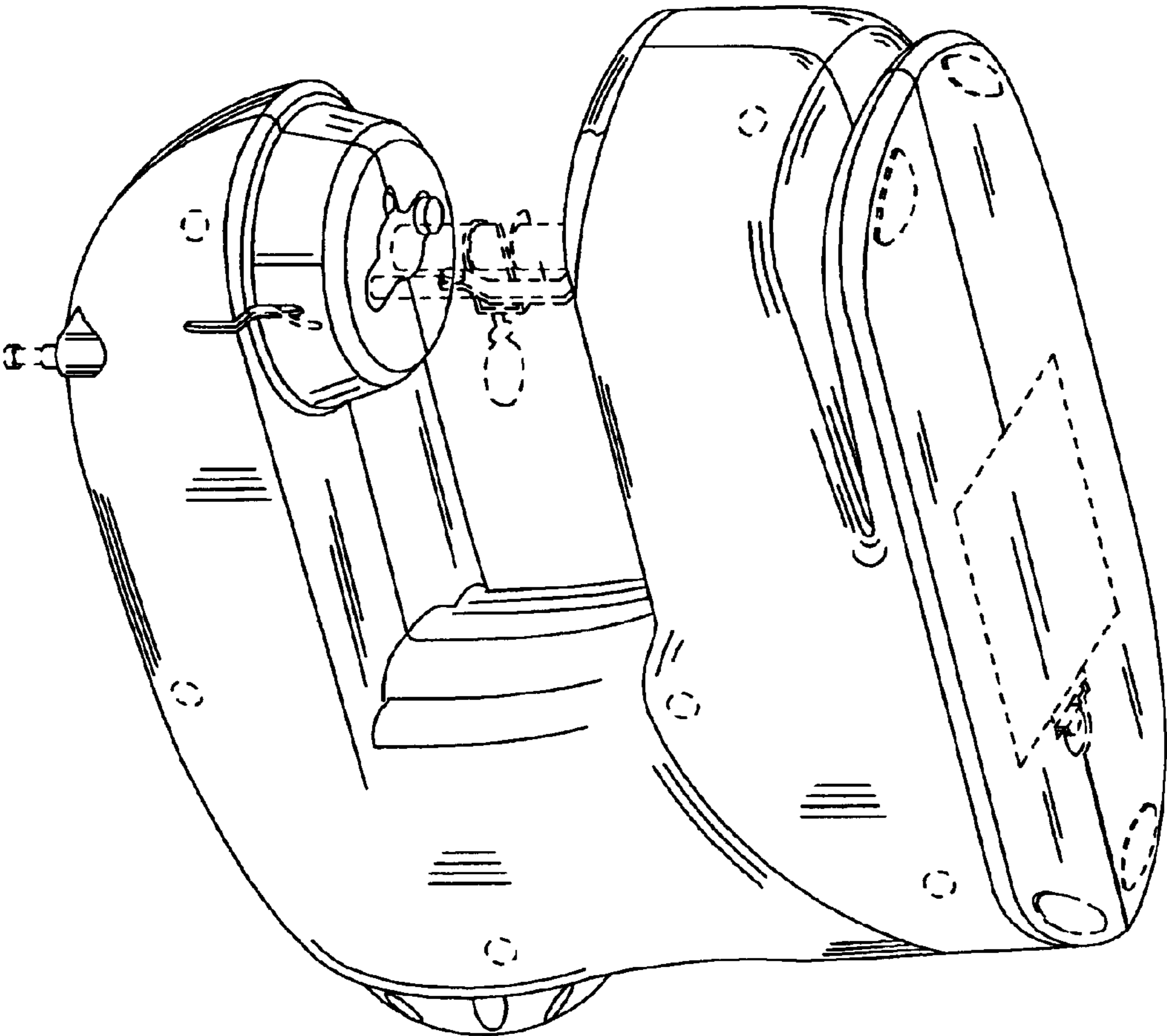


FIG. 18

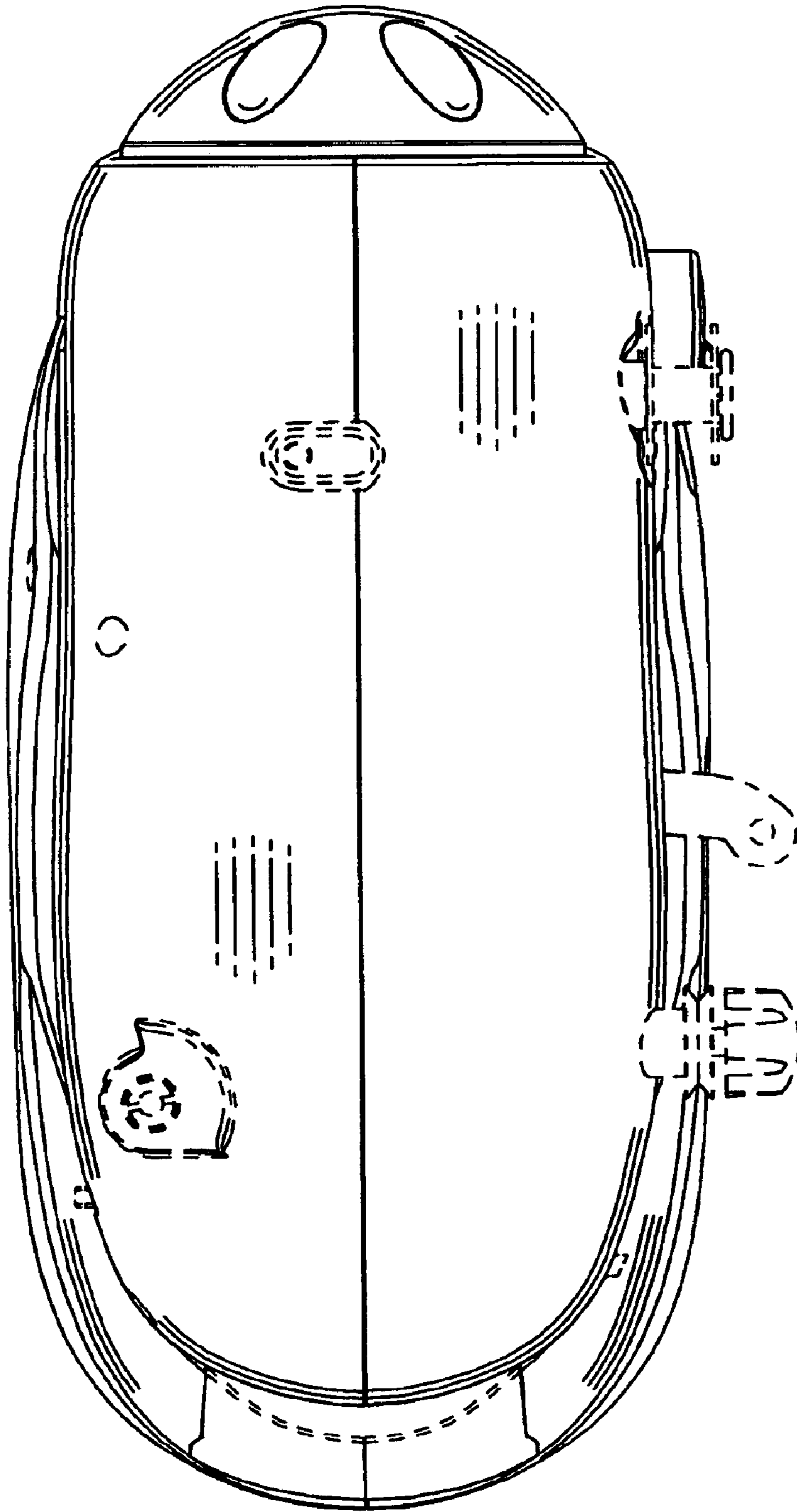


FIG. 19

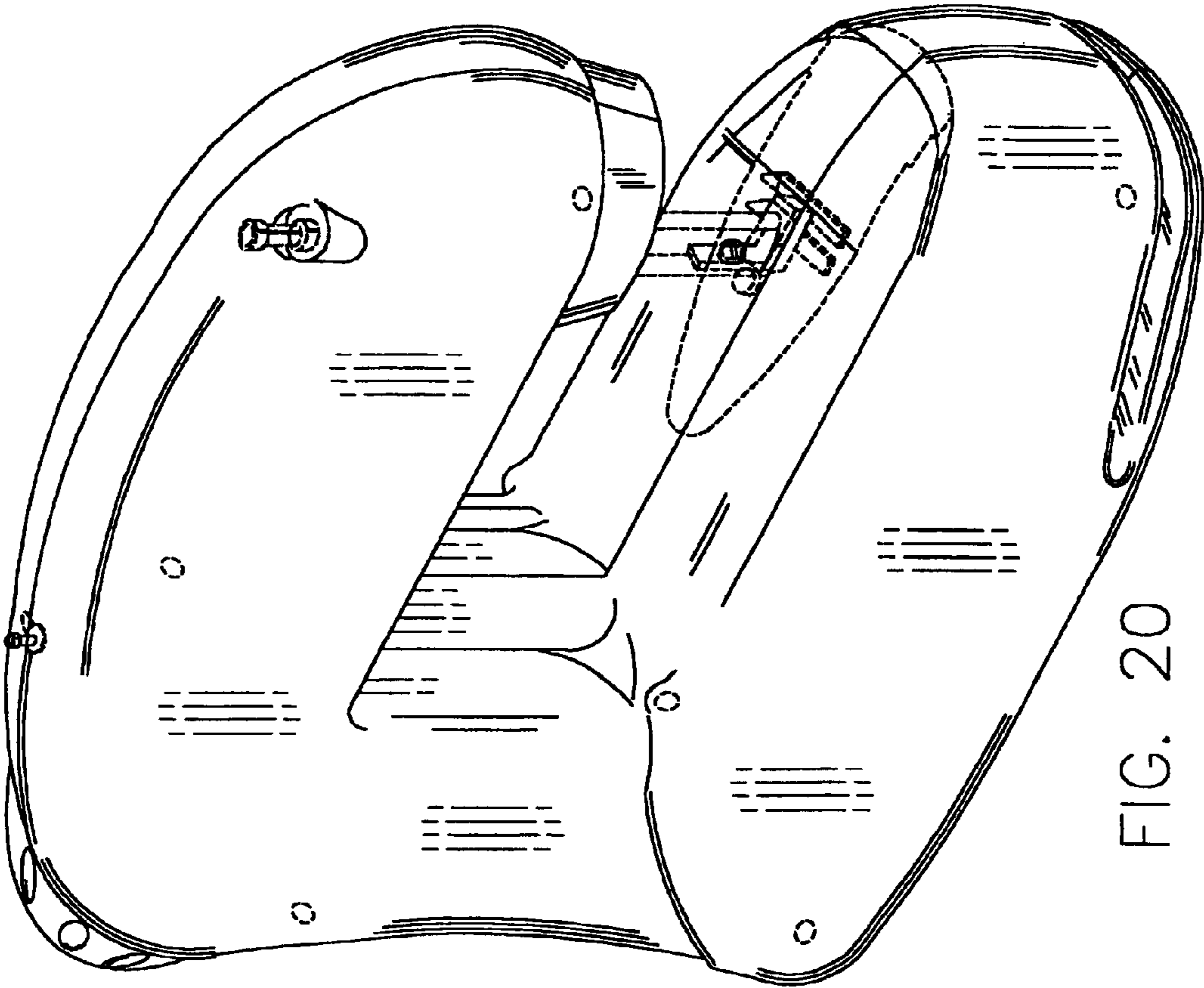


FIG. 20