

US00D505137S

(12) **United States Design Patent**
Steinlage et al.

(10) **Patent No.:** **US D505,137 S**
(45) **Date of Patent:** **** May 17, 2005**

(54) **DEEP TILLAGE RIPPER POINT**

(75) Inventors: **David Lee Steinlage**, Adel, IA (US);
Aron Wesley Fleischmann, Ankeny, IA
(US); **Mark Donald Beeck**, Ankeny, IA
(US); **Brian E. Myers**, Basehor, KS
(US)

(73) Assignee: **Deere & Company**, Moline, IL (US)

(**) Term: **14 Years**

(21) Appl. No.: **29/190,369**

(22) Filed: **Sep. 19, 2003**

(51) **LOC (7) Cl.** **15-03**

(52) **U.S. Cl.** **D15/29**

(58) **Field of Search** D15/11, 28, 29;
172/730, 770, 721

(56) **References Cited**

U.S. PATENT DOCUMENTS

774,324 A	11/1904	Hill et al.	
1,603,486 A	10/1926	Mock	
3,171,500 A	3/1965	Dils, Jr.	
4,245,706 A	1/1981	Dietrich, Sr.	172/180
4,403,662 A	9/1983	Dietrich, Sr.	172/156
4,538,689 A	9/1985	Dietrich, Sr.	172/700
D285,206 S	* 8/1986	Johnson	D15/29
D285,691 S	* 9/1986	Johnson	D15/29
5,437,337 A	8/1995	Dietrich, Sr.	172/196
5,499,686 A	* 3/1996	Parker	172/730
5,540,288 A	7/1996	Dietrich, Sr.	172/196
D415,173 S	* 10/1999	Zaun	D15/29

D415,773 S	* 10/1999	Chapman	D15/11
D429,256 S	* 8/2000	Zaun	
D429,257 S	* 8/2000	Zaun	D15/29
D429,258 S	* 8/2000	Zaun	D15/29
6,276,462 B1	8/2001	Dietrich, Sr.	172/138
6,443,237 B1	9/2002	Myers et al.	172/730

* cited by examiner

Primary Examiner—Mitchell Siegel

(57) **CLAIM**

The ornamental design for a deep tillage ripper point, as shown and described.

DESCRIPTION

FIG. 1 is a left front perspective view of a deep tillage ripper point showing our new design.

FIG. 2 is a front view of the deep tillage ripper point design of FIG. 1.

FIG. 3 is a top view of the deep tillage ripper point design of FIG. 1.

FIG. 4 is a left side view of the deep tillage ripper point design of FIG. 1.

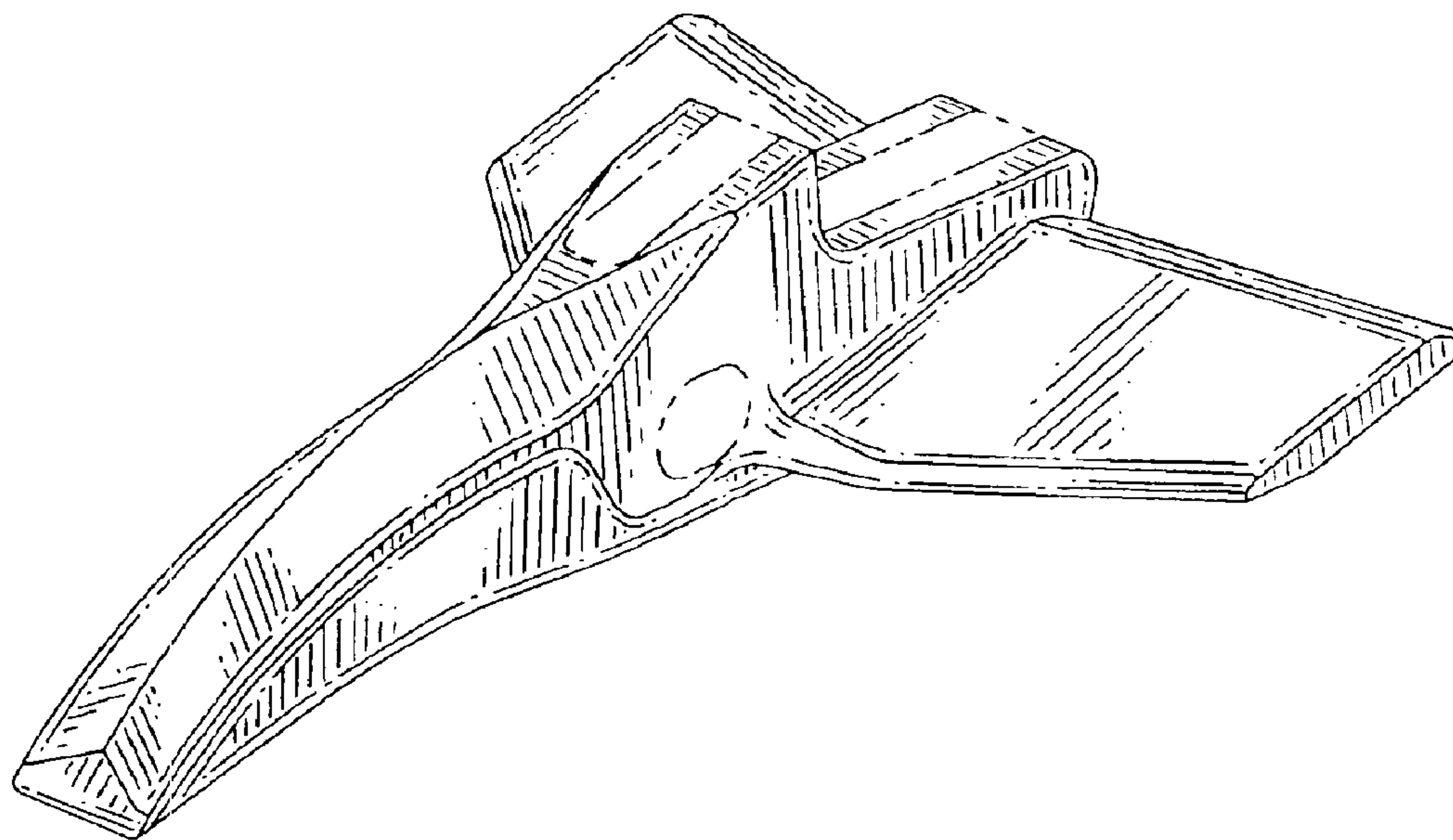
FIG. 5 is a rear view of the deep tillage ripper point design of FIG. 1.

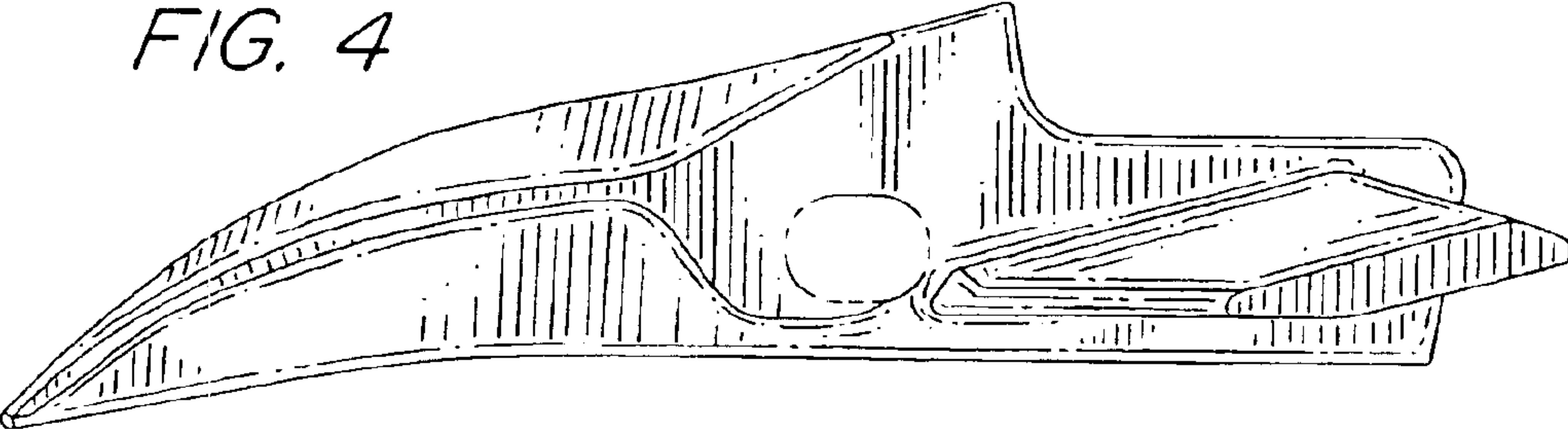
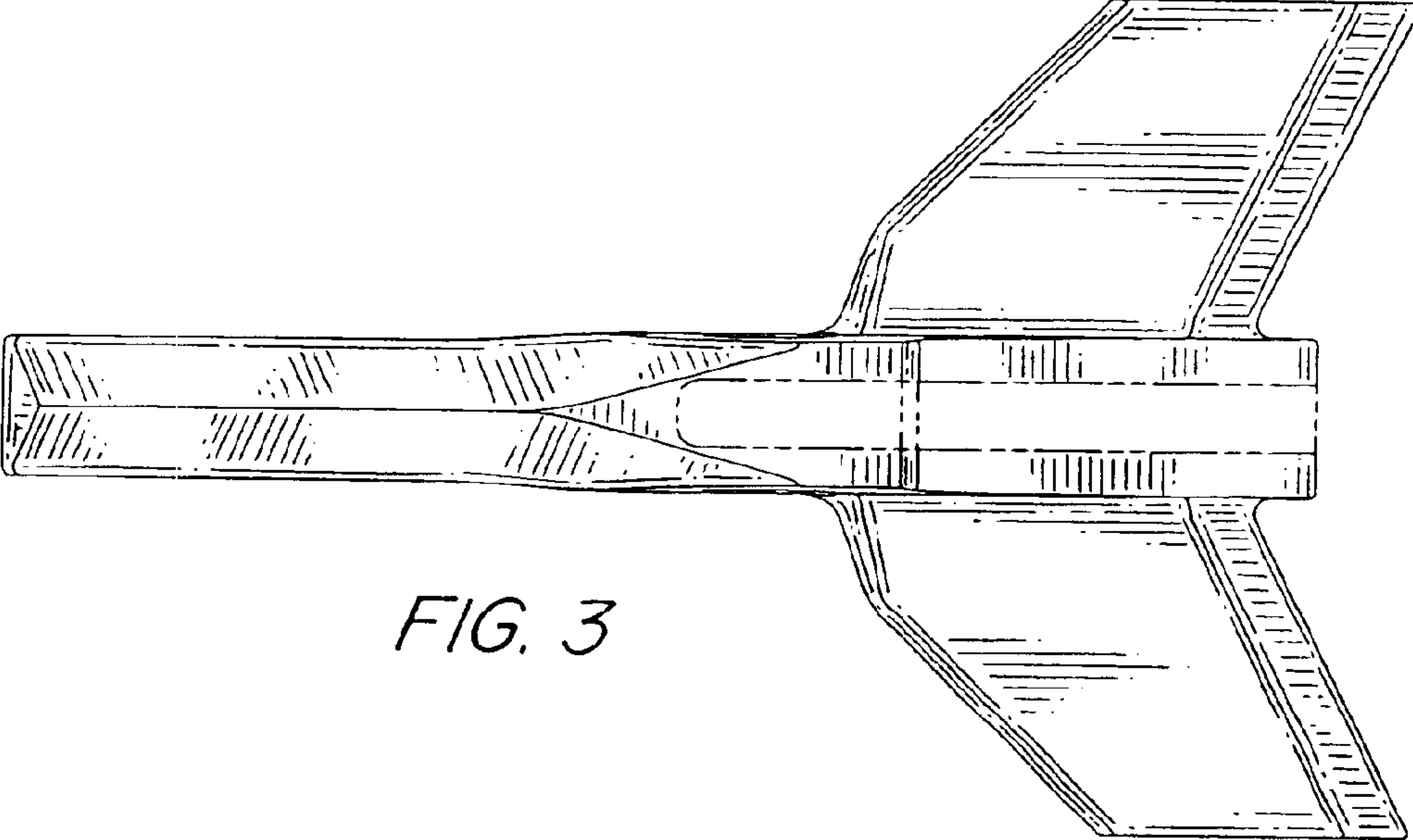
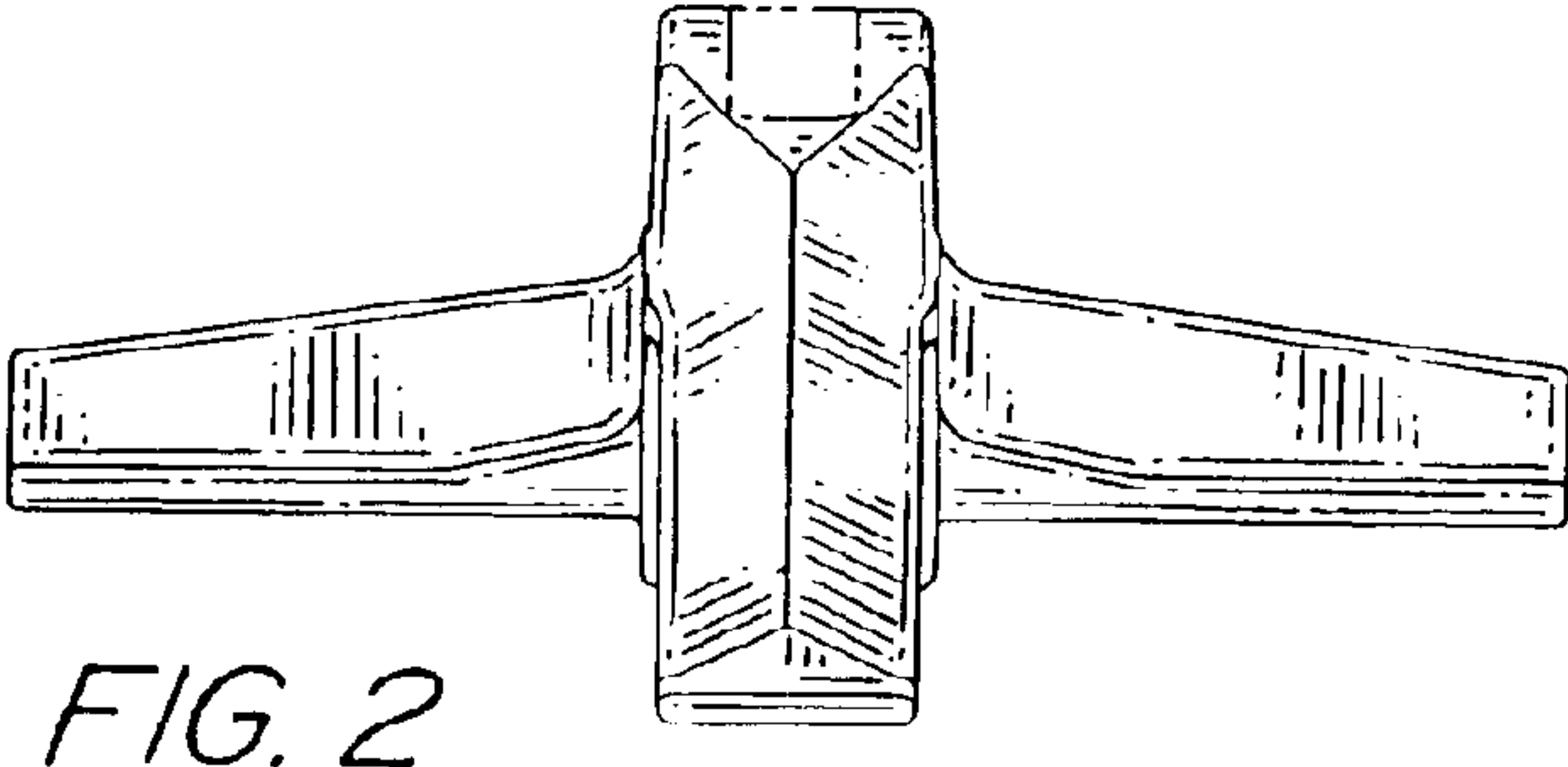
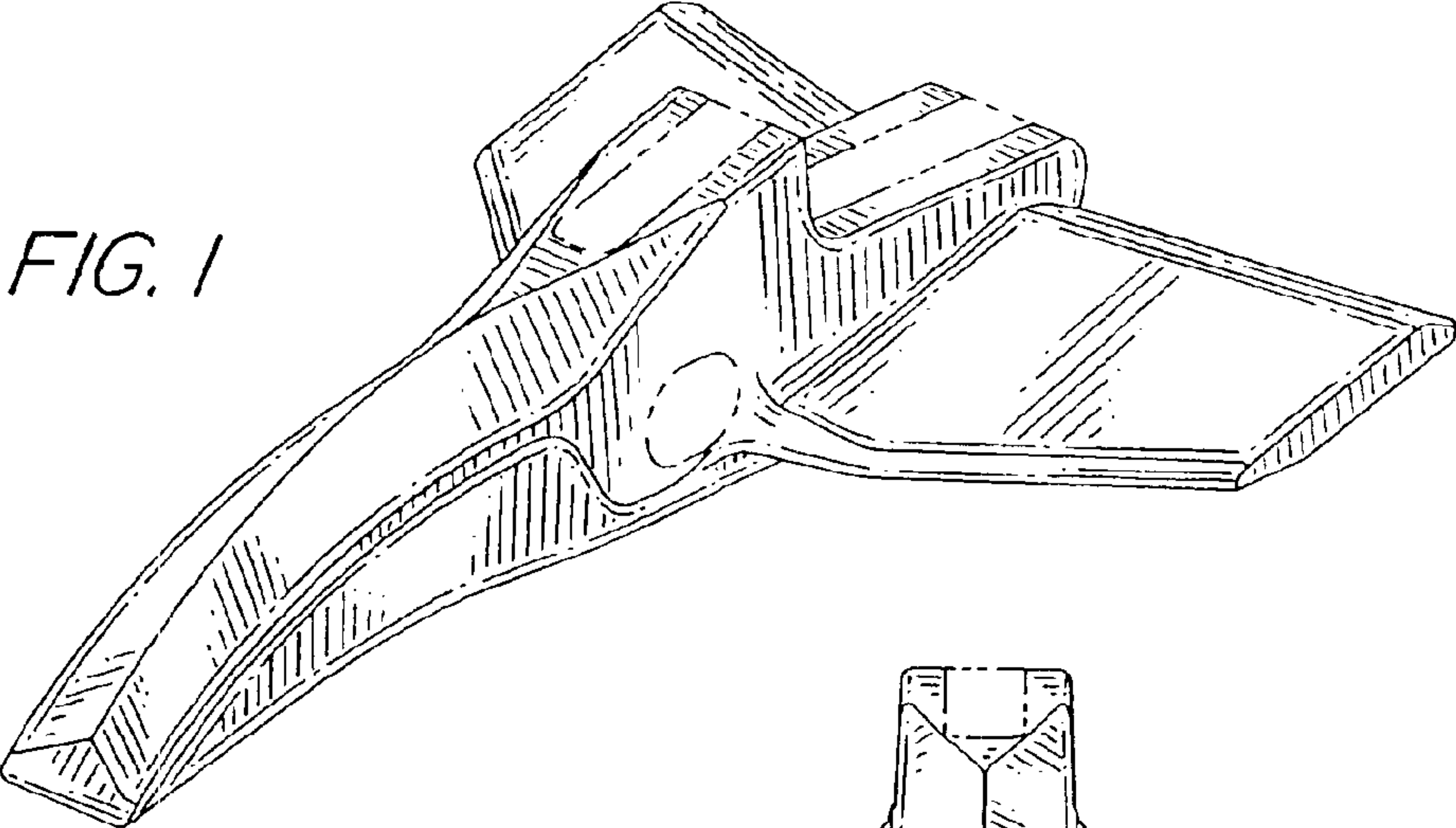
FIG. 6 is a right side view of the deep tillage ripper point design of FIG. 1; and,

FIG. 7 is a bottom view of the deep tillage ripper point design of FIG. 1.

The broken line showing is for illustrative purposes only and forms no part of the claimed design.

1 Claim, 2 Drawing Sheets





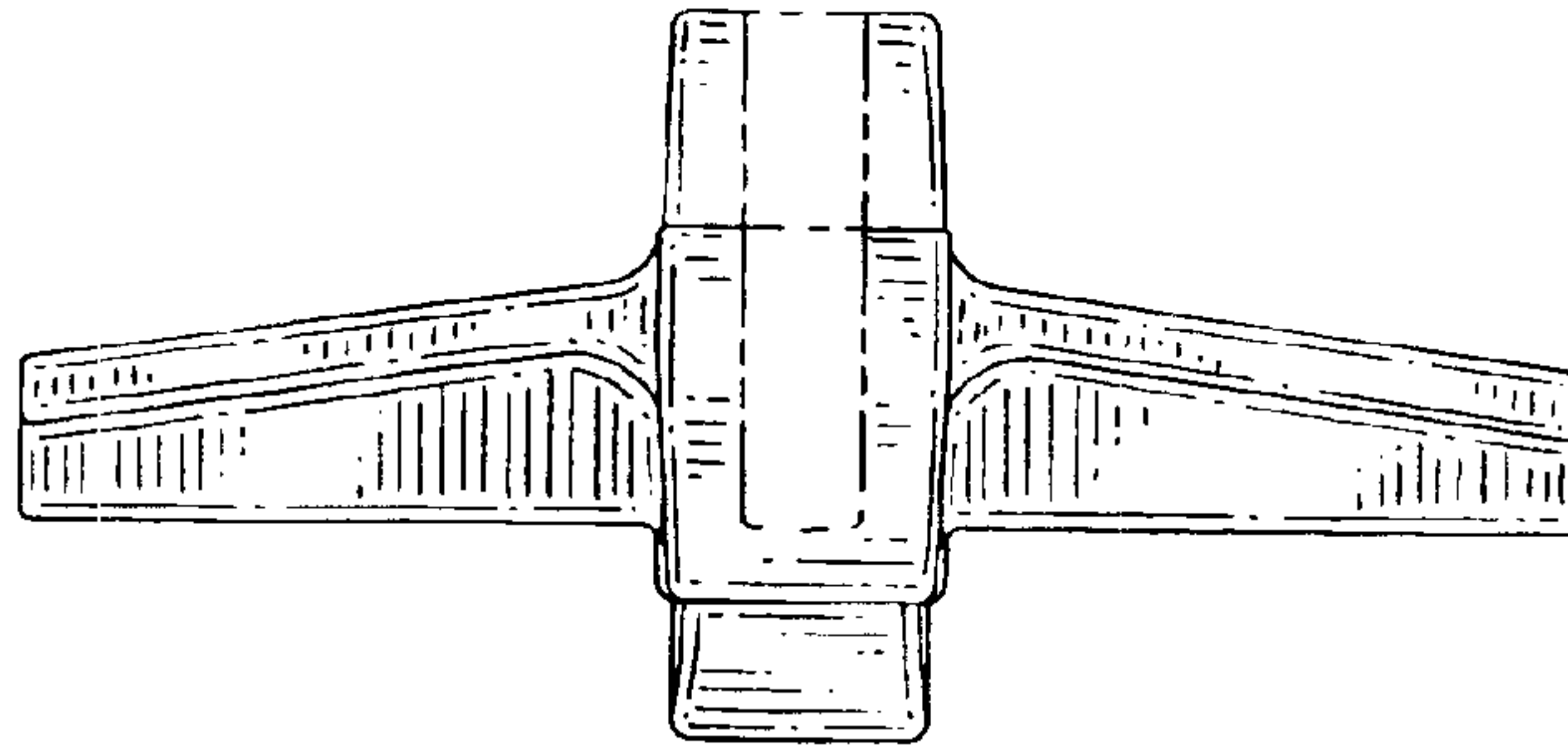


FIG. 5

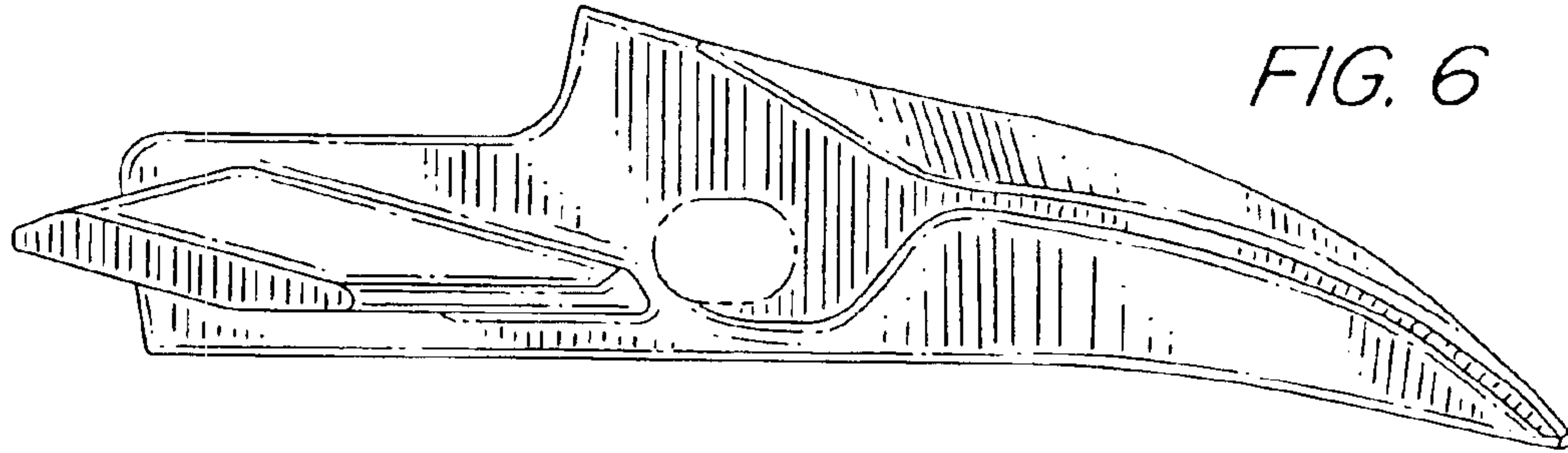


FIG. 6

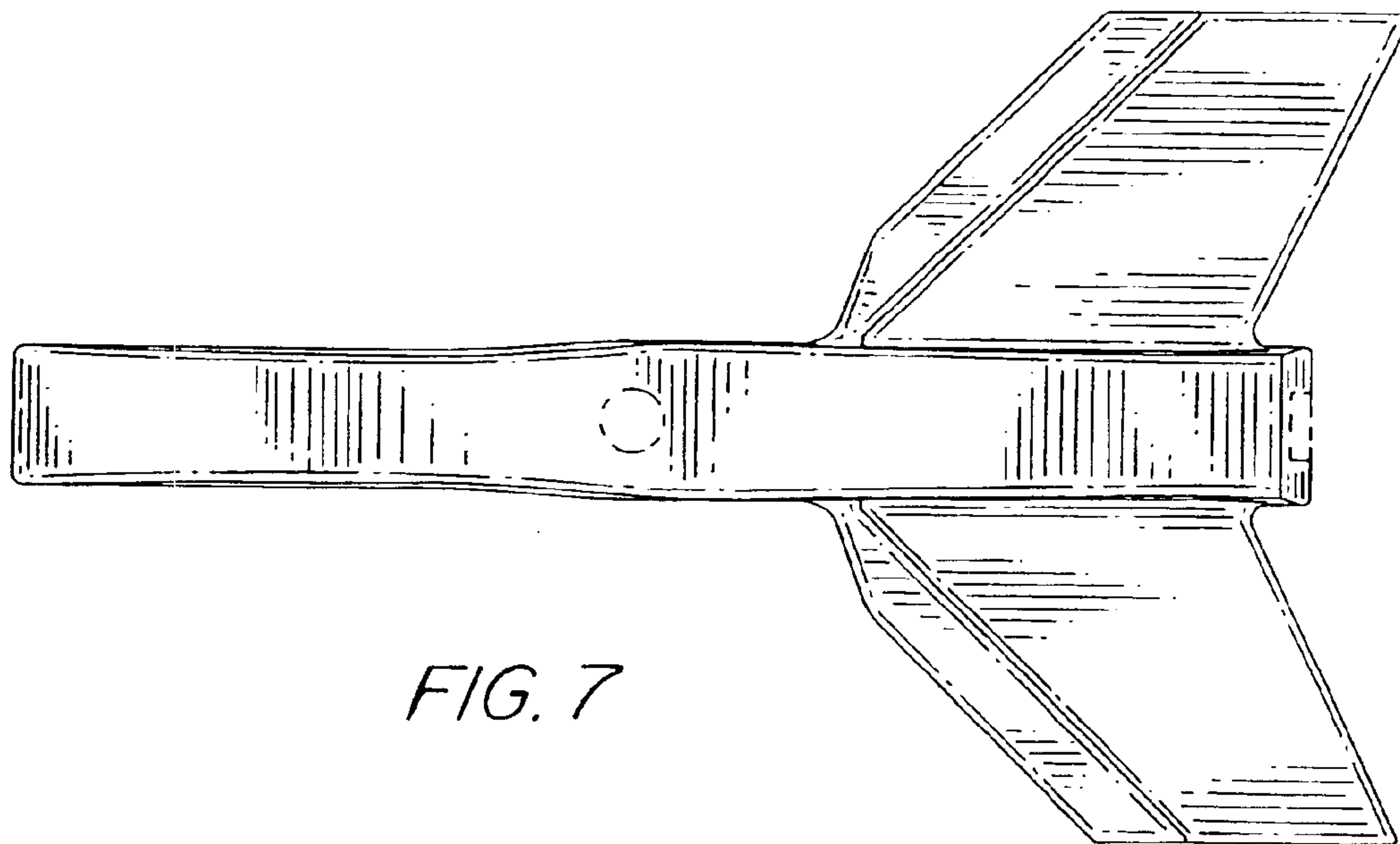


FIG. 7