

US00D505136S

(12) **United States Design Patent**
Brazier

(10) **Patent No.:** **US D505,136 S**

(45) **Date of Patent:** **** May 17, 2005**

(54) **BELTED TRACK ASSEMBLY**

(76) **Inventor:** **Glen Brazier**, P.O. Box 214, Karlstad,
MN (US) 56732-0214

(**) **Term:** **14 Years**

(21) **Appl. No.:** **29/212,436**

(22) **Filed:** **Sep. 1, 2004**

Related U.S. Application Data

(62) Division of application No. 10/348,156, filed on Jan. 21,
2003.

(51) **LOC (7) Cl.** **15-03**

(52) **U.S. Cl.** **D15/28**

(58) **Field of Search** D15/21-26, 28;
180/91, 85.1, 85.12, 139, 239, 9.1; 305/129,
136, 15

(56) **References Cited**

U.S. PATENT DOCUMENTS

D230,300 S * 2/1974 Oestmann D15/28
3,871,462 A * 3/1975 Krolak et al. 180/9.5

3,938,606 A * 2/1976 Yancey 180/9.5
3,939,930 A * 2/1976 Firstenberg 180/9.21
D274,333 S * 6/1984 Meisel et al. D15/24
5,316,381 A * 5/1994 Isaacson et al. 305/145
5,842,767 A * 12/1998 Rizkin et al. 362/21
6,199,646 B1 * 3/2001 Tani et al. 180/9.21
D488,171 S * 4/2004 Juncker et al. D15/28
D497,621 S * 10/2004 Inaoka et al. D15/28

* cited by examiner

Primary Examiner—Mitchell Siegel

(74) *Attorney, Agent, or Firm*—D L Tschida

(57) **CLAIM**

The ornamental design for a belted track assembly, as shown
and described.

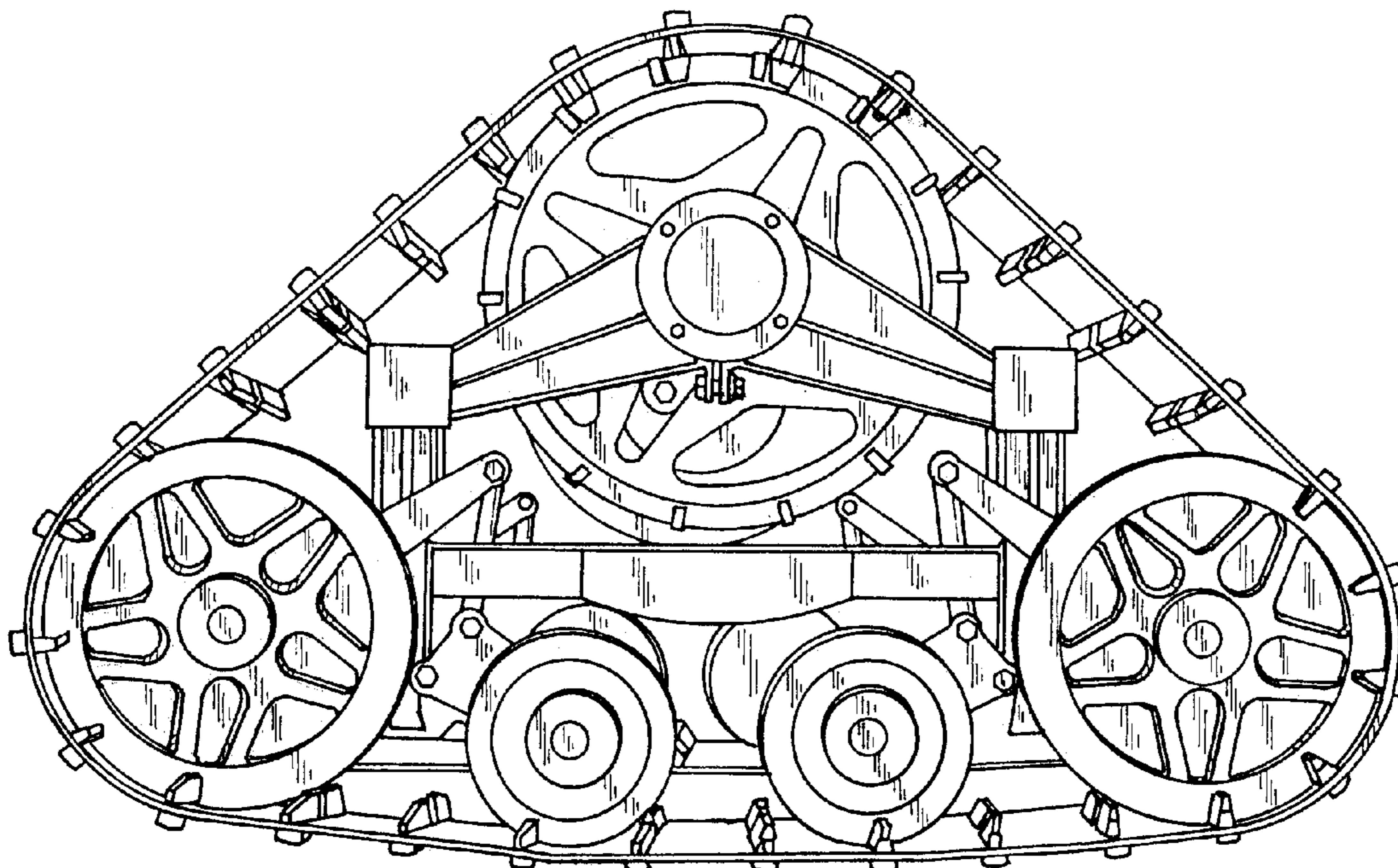
DESCRIPTION

FIG. 1 is a front view showing my new design for a belted
track assembly;

FIG. 2 is a rear view thereof; and,

FIG. 3 is a top view thereof and wherein the bottom, right
and left side views are identical with each depicting the
repeating pattern of the lugged track surface.

1 Claim, 3 Drawing Sheets



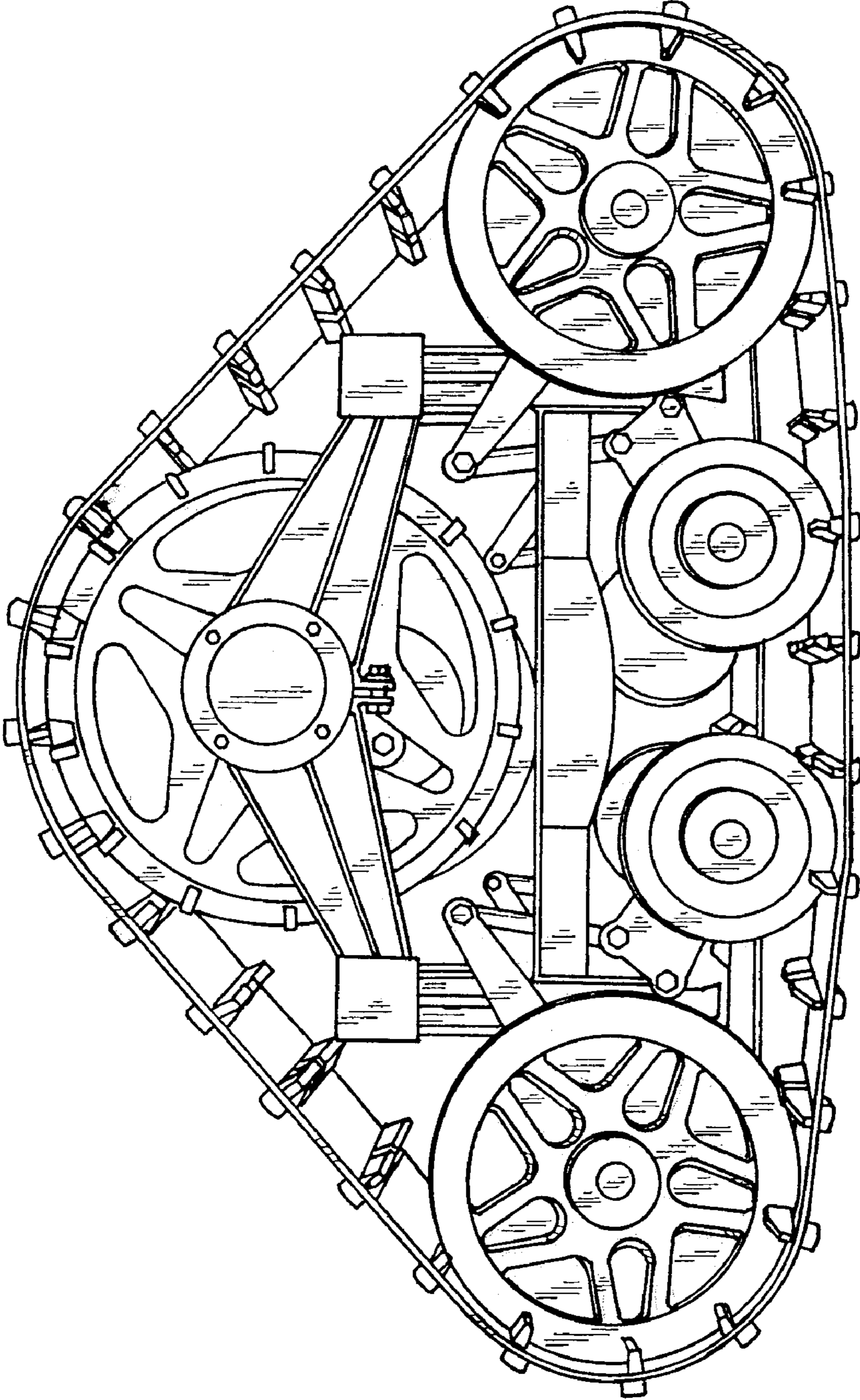


FIG. 1

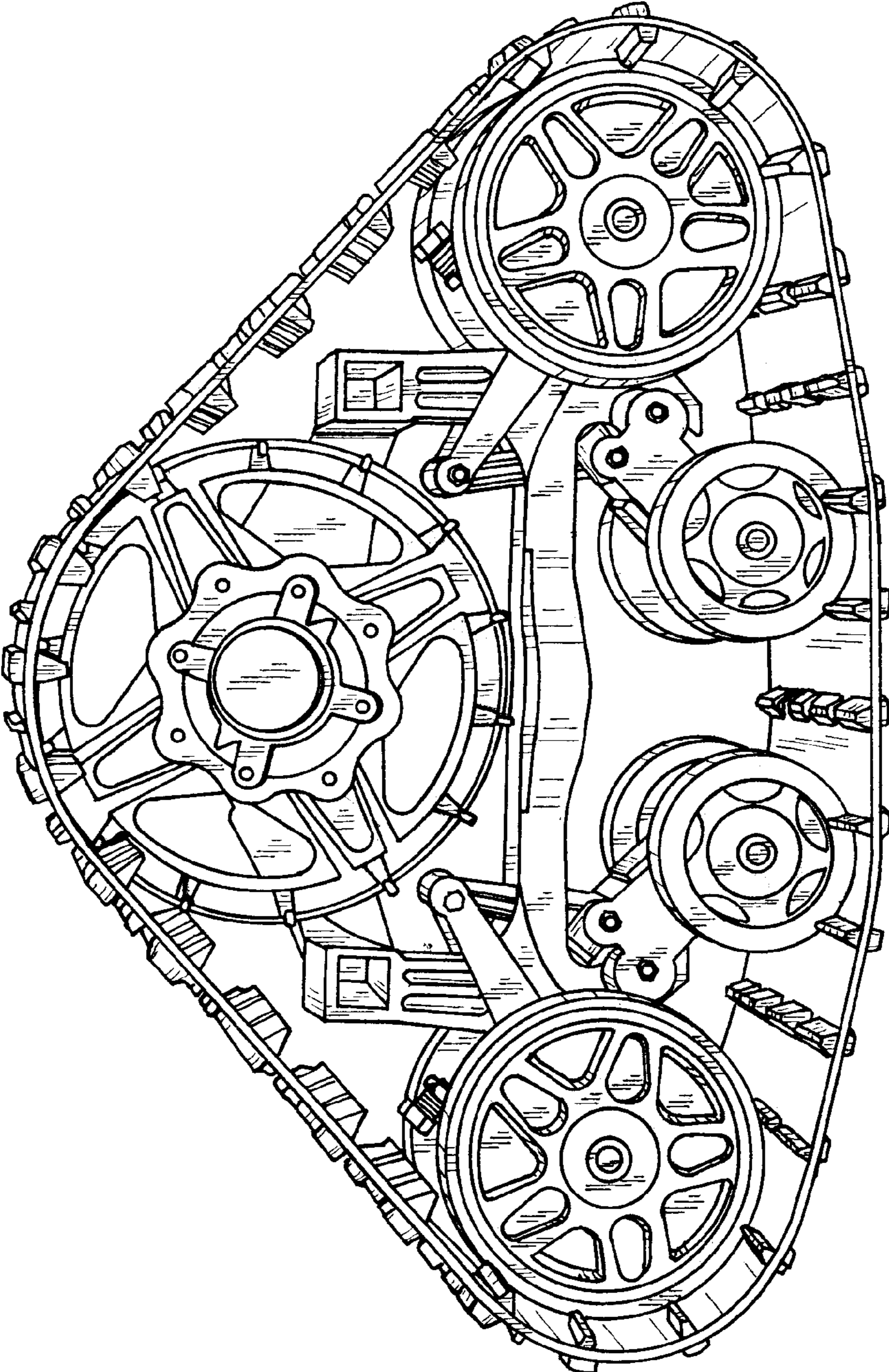


FIG. 2

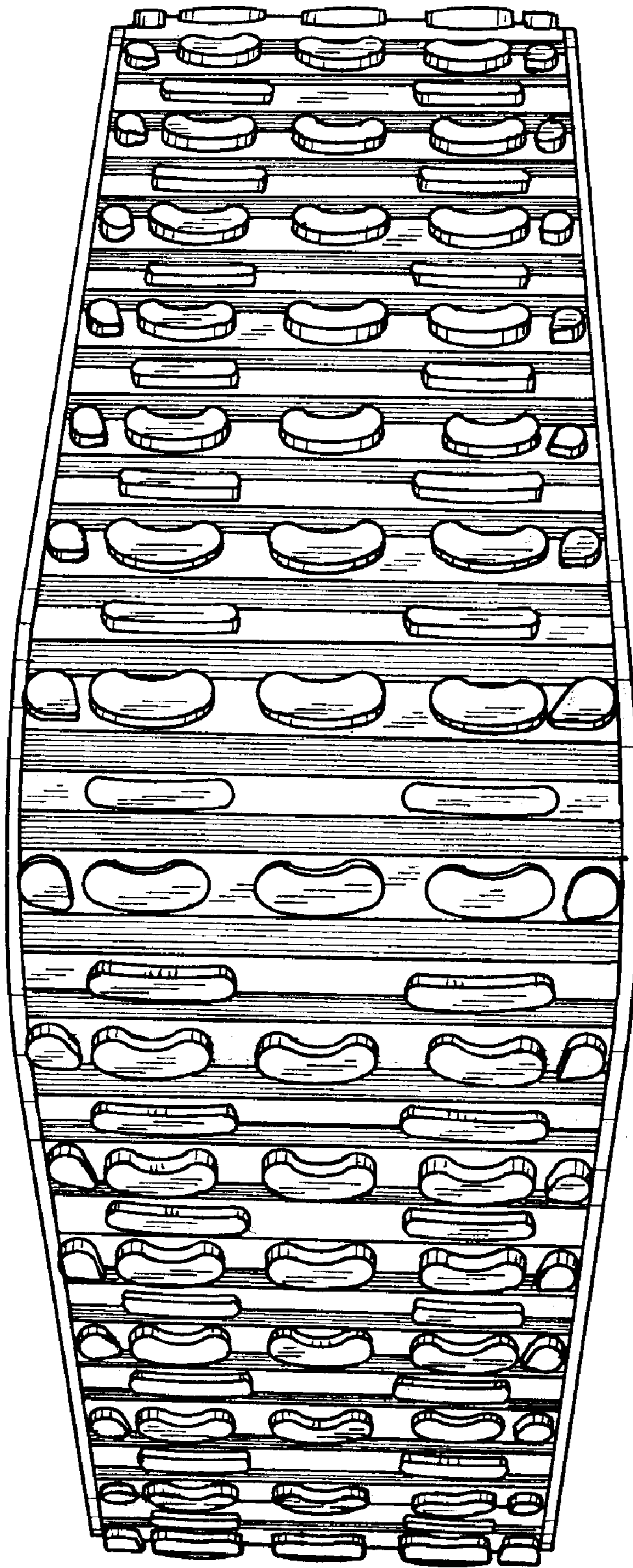


FIG. 3