

US00D505133S

(12) **United States Design Patent**
Ashida et al.

(10) **Patent No.:** **US D505,133 S**

(45) **Date of Patent:** **** May 17, 2005**

(54) **CONVERSION ADAPTOR FOR MEMORY CARD**

(75) Inventors: **Kenichiro Ashida, Kyoto (JP); Junji Takamoto, Kyoto (JP); Yasuhisa Kitano, Kyoto (JP)**

(73) Assignee: **Nintendo Co., Ltd. (JP)**

(**) Term: **14 Years**

(21) Appl. No.: **29/191,774**

(22) Filed: **Oct. 15, 2003**

(30) **Foreign Application Priority Data**

Apr. 18, 2003 (JP) 2003-011021

(51) **LOC (7) Cl.** **14-02**

(52) **U.S. Cl.** **D14/435; D13/147**

(58) **Field of Search** D14/432, 433, D14/435, 436, 438; D13/147; D21/332; 361/684, 686-689, 737, 753, 75; 463/29, 43-47

(56) **References Cited**

U.S. PATENT DOCUMENTS

- D319,823 S 9/1991 Kojo
- D321,429 S 11/1991 Kojo
- D325,573 S * 4/1992 Glegg et al. D14/438
- D350,951 S * 9/1994 Tseng D14/435

- D368,082 S * 3/1996 Goto D14/435
- D377,488 S 1/1997 Ashida
- D412,326 S * 7/1999 Gianfagna et al. D14/435
- D413,592 S * 9/1999 Saliba et al. D14/435
- D437,323 S 2/2001 Sugino et al.
- D458,643 S * 6/2002 Ashida D21/332
- D462,093 S 8/2002 Ashida
- D474,154 S * 5/2003 Lai D13/147
- D478,358 S * 8/2003 Ashida D21/332
- D482,692 S * 11/2003 Nishio et al. D14/433

* cited by examiner

Primary Examiner—Kay H. Chin

(74) *Attorney, Agent, or Firm*—Nixon & Vanderhye P.C.

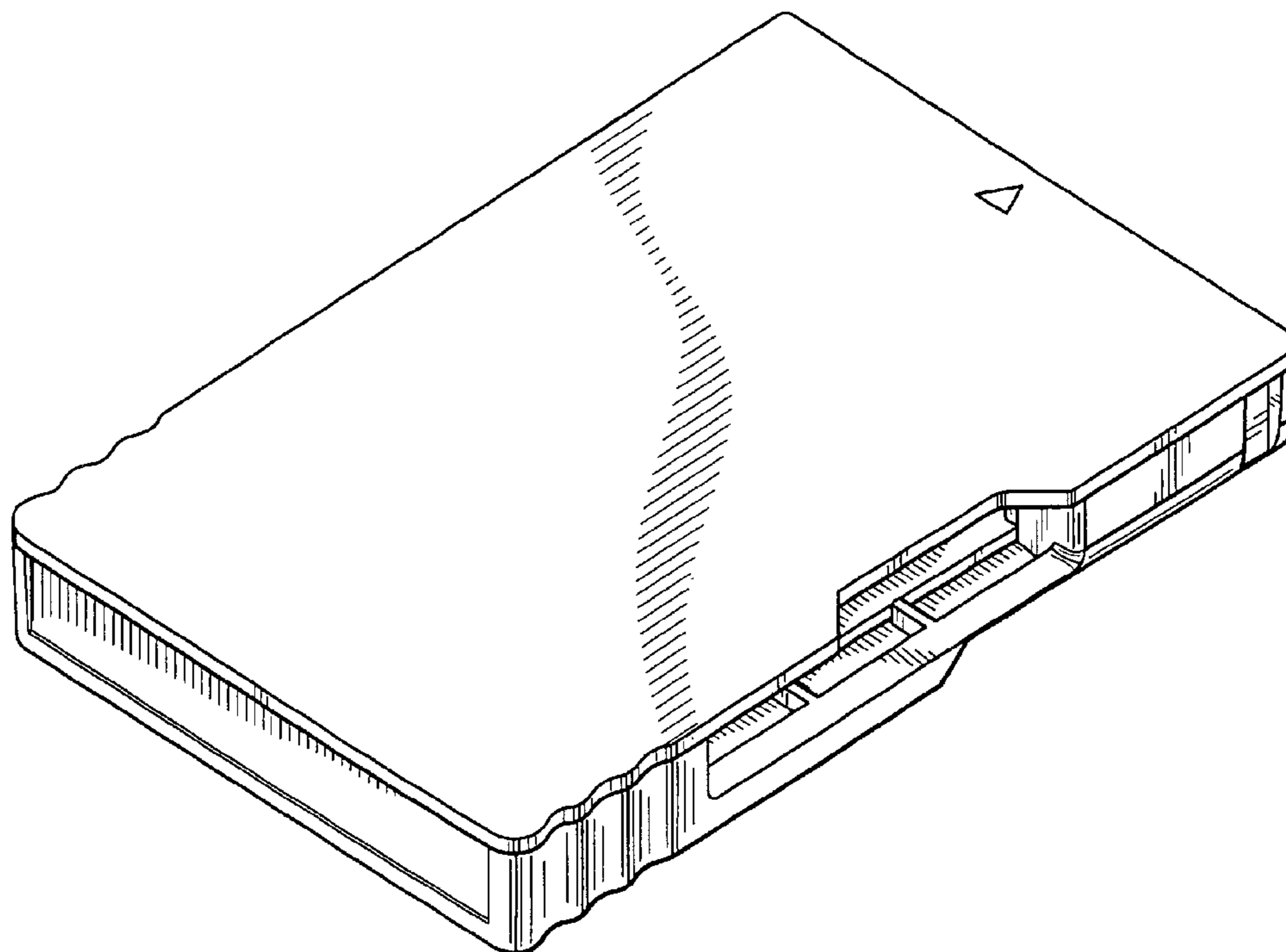
(57) **CLAIM**

We claim the ornamental design for a conversion adaptor for memory card, as shown and described.

DESCRIPTION

FIG. 1 is a top, front and right perspective view of a conversion adaptor for memory card; FIG. 2 is a bottom, rear and left perspective view thereof; FIG. 3 is a top plan view thereof; FIG. 4 is a bottom plan view thereof; FIG. 5 is a left side view thereof; FIG. 6 is a right side view thereof; FIG. 7 is a front elevational view thereof; and, FIG. 8 is a rear elevational view thereof.

1 Claim, 6 Drawing Sheets



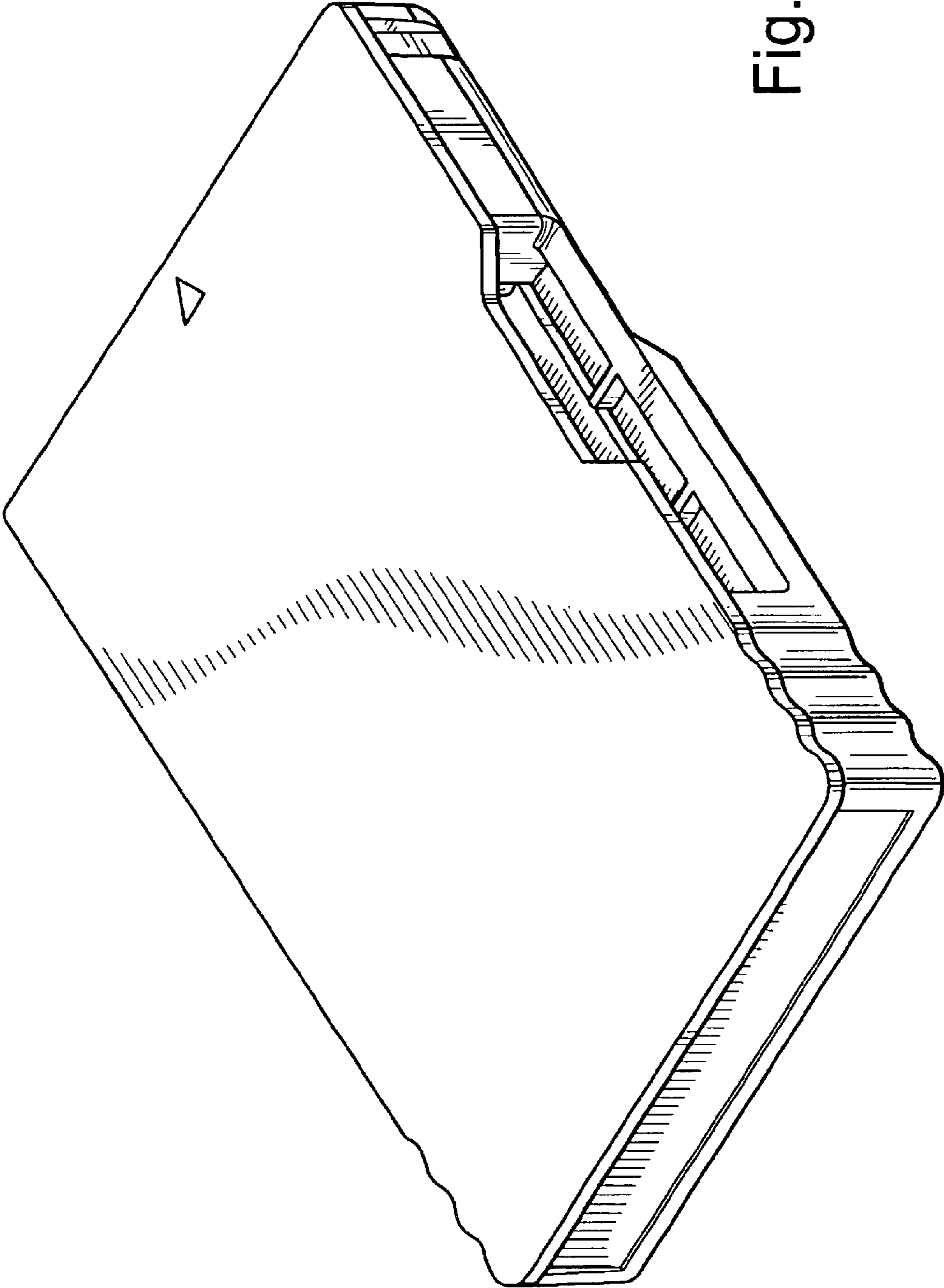


Fig. 1

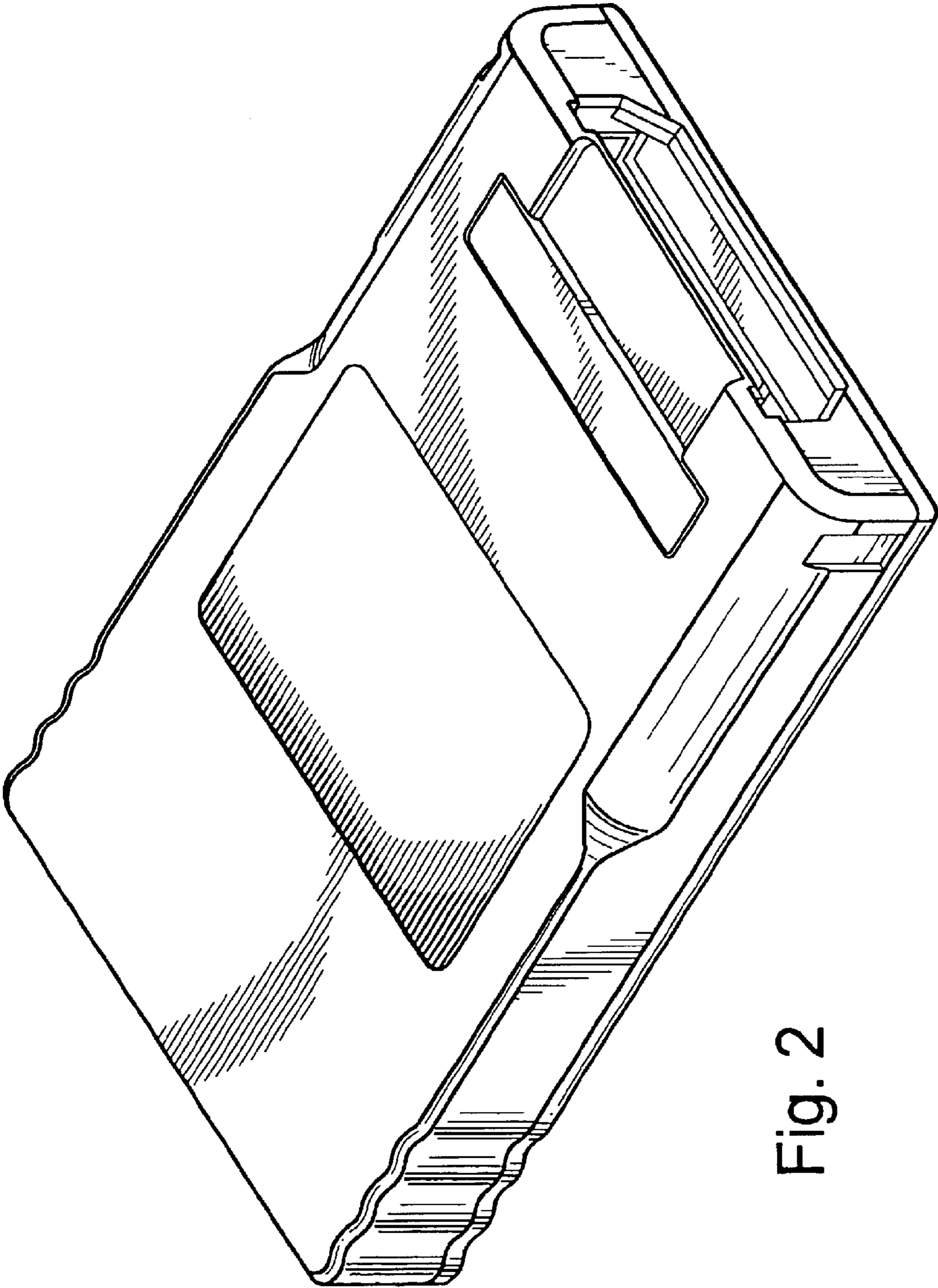


Fig. 2

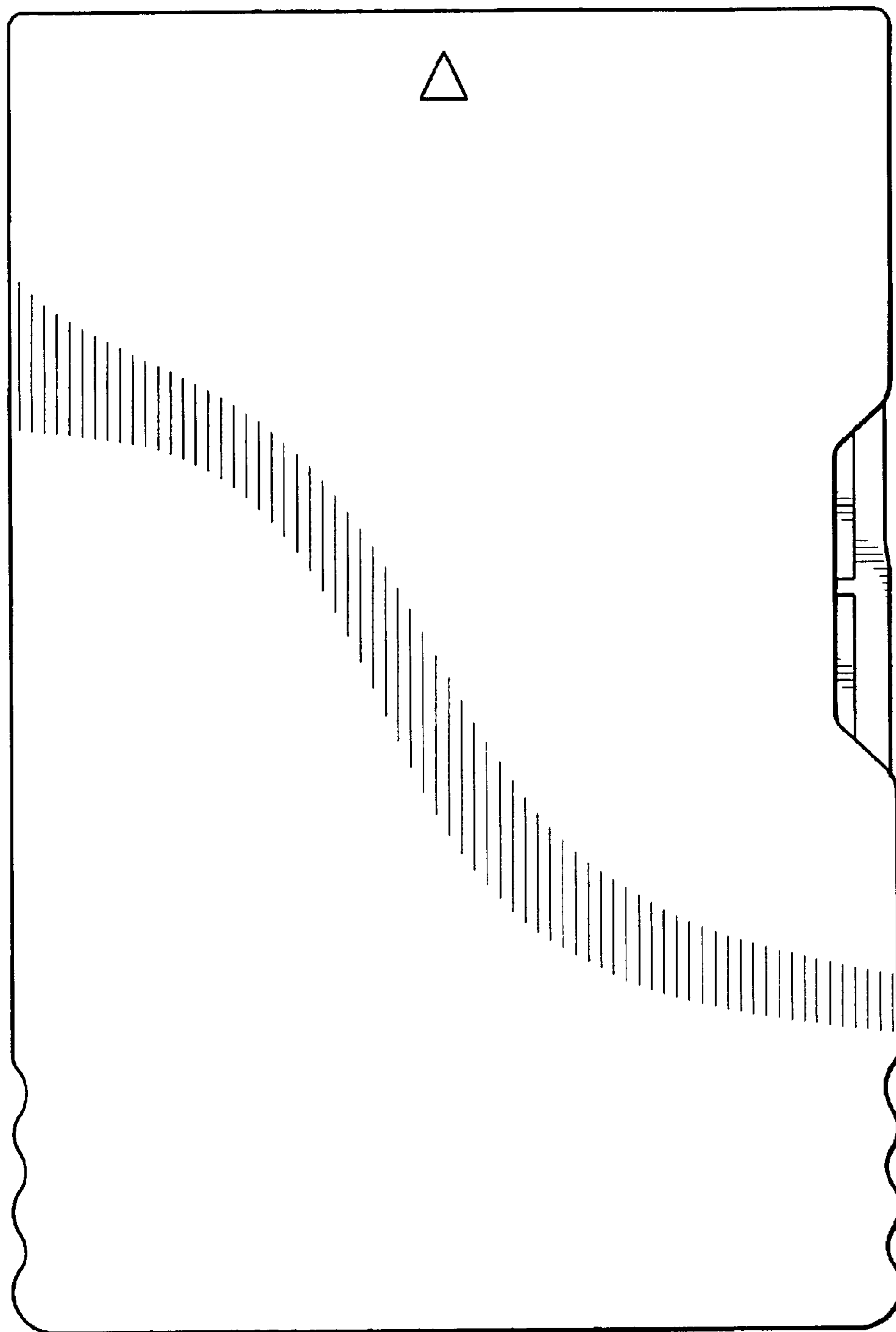


Fig. 3

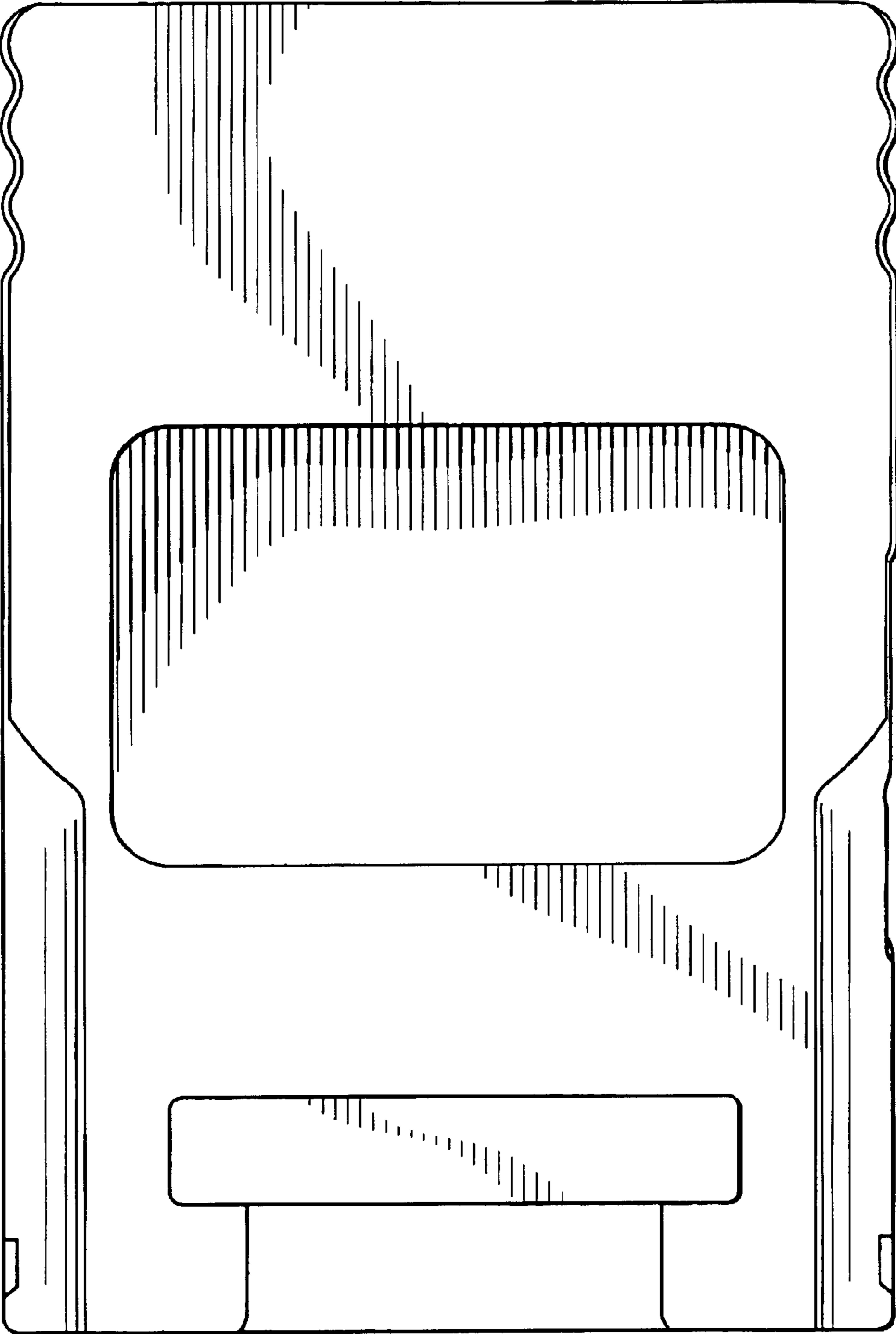


Fig. 4

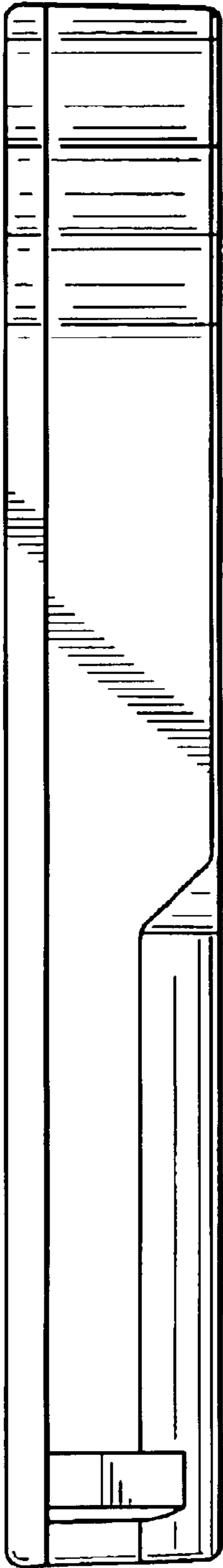


Fig. 5

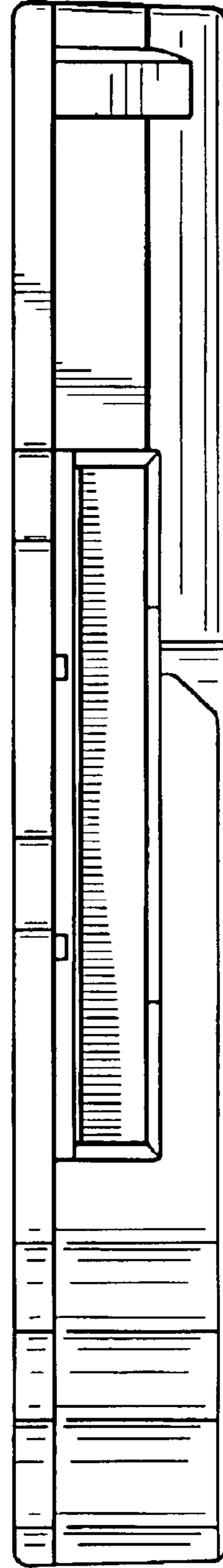


Fig. 6

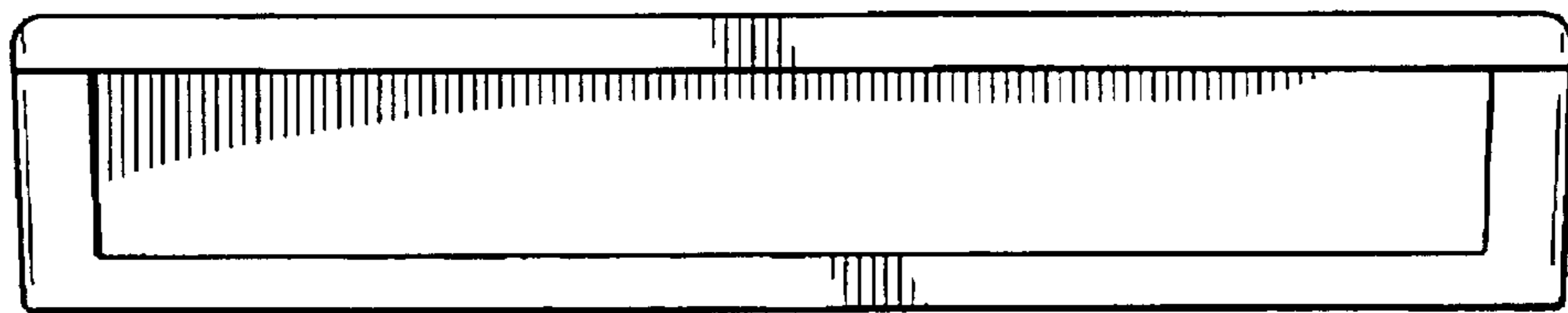


Fig. 7

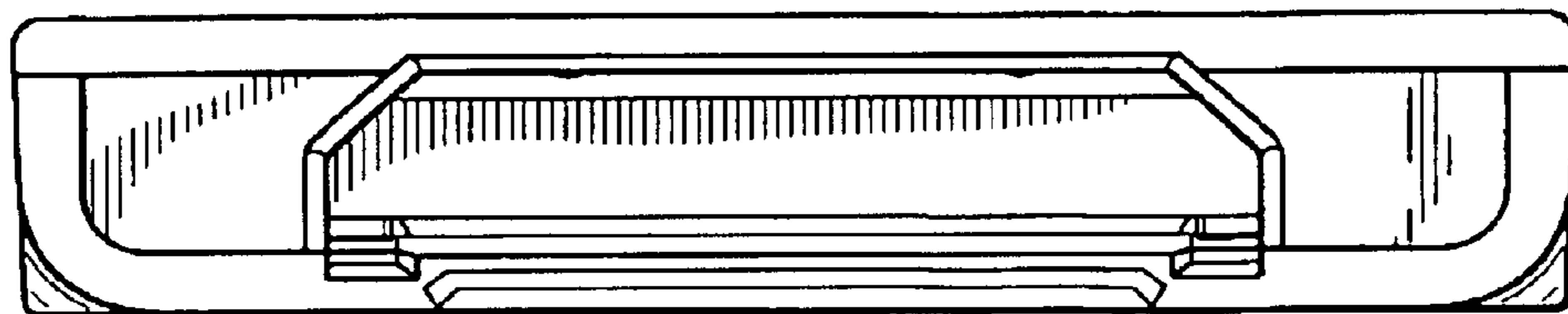


Fig. 8