

US00D505130S

(12) **United States Design Patent**  
**Yuyama**

(10) **Patent No.:** **US D505,130 S**  
(45) **Date of Patent:** **\*\* May 17, 2005**

(54) **AUDIO/DATA DISC PLAYER**

(75) **Inventor:** **Yasuo Yuyama, Tokyo (JP)**  
(73) **Assignee:** **Sony Corporation, Tokyo (JP)**  
(\*\*) **Term:** **14 Years**

(21) **Appl. No.:** **29/203,751**  
(22) **Filed:** **Apr. 20, 2004**

(51) **LOC (7) Cl.** ..... **14-01**  
(52) **U.S. Cl.** ..... **D14/168; D14/156**  
(58) **Field of Search** ..... **D14/135-136,**  
**D14/156-157, 160-165, 167-168, 192-198,**  
**217, 348-356, 359, 363; 455/347-351;**  
**369/75.1, 75.2, 77.1, 77.2**

(56) **References Cited**

**U.S. PATENT DOCUMENTS**

|            |          |           |               |
|------------|----------|-----------|---------------|
| D396,860 S | 8/1998   | Yasutomi  |               |
| D455,416 S | * 4/2002 | McDermott | ..... D14/168 |
| D457,153 S | * 5/2002 | Allen     | ..... D14/168 |
| D469,751 S | * 2/2003 | Kimura    | ..... D14/156 |
| D470,832 S | * 2/2003 | Oikawa    | ..... D14/168 |

**OTHER PUBLICATIONS**

Web page "SS220 Aluminum Line Speaker" [http://www.yodobashi.com/enjoy/more/i/oid2\\_872/15125901.html](http://www.yodobashi.com/enjoy/more/i/oid2_872/15125901.html), 2 sheets, Yodobashi Camera (Apr. 2004).

\* cited by examiner

*Primary Examiner*—Nanda Bondade

(74) *Attorney, Agent, or Firm*—Rader, Fishman, Grauer PLLC

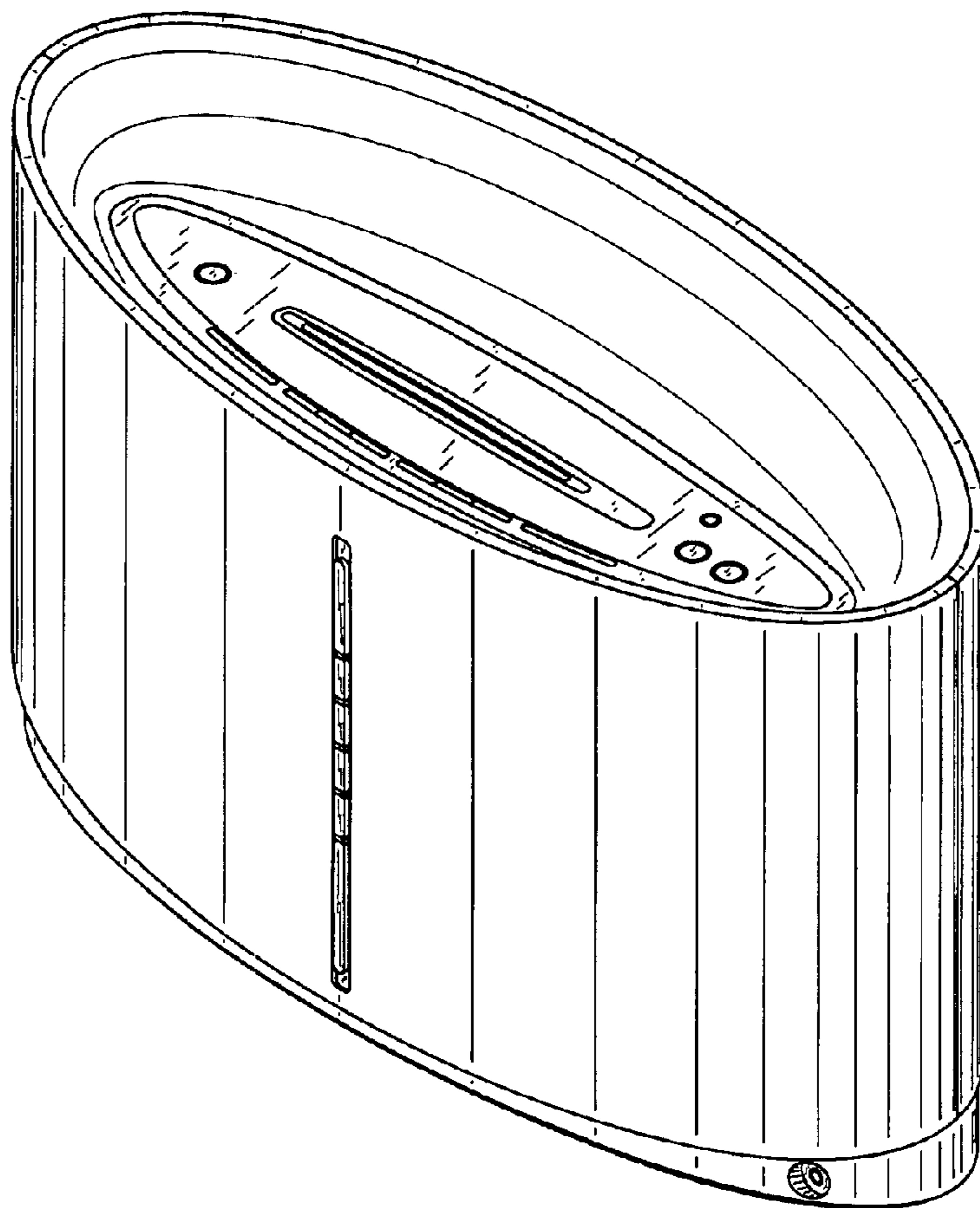
(57) **CLAIM**

The ornamental design for an audio/data disc player, as shown.

**DESCRIPTION**

FIG. 1 is a perspective view of an audio/data disc player showing my new design; FIG. 2 is a front elevational view thereof; FIG. 3 is a rear elevational view thereof; FIG. 4 is a left side elevational view thereof; FIG. 5 is a right side elevational view thereof; FIG. 6 is a top plan view thereof; and, FIG. 7 is a bottom plan view thereof.

**1 Claim, 4 Drawing Sheets**



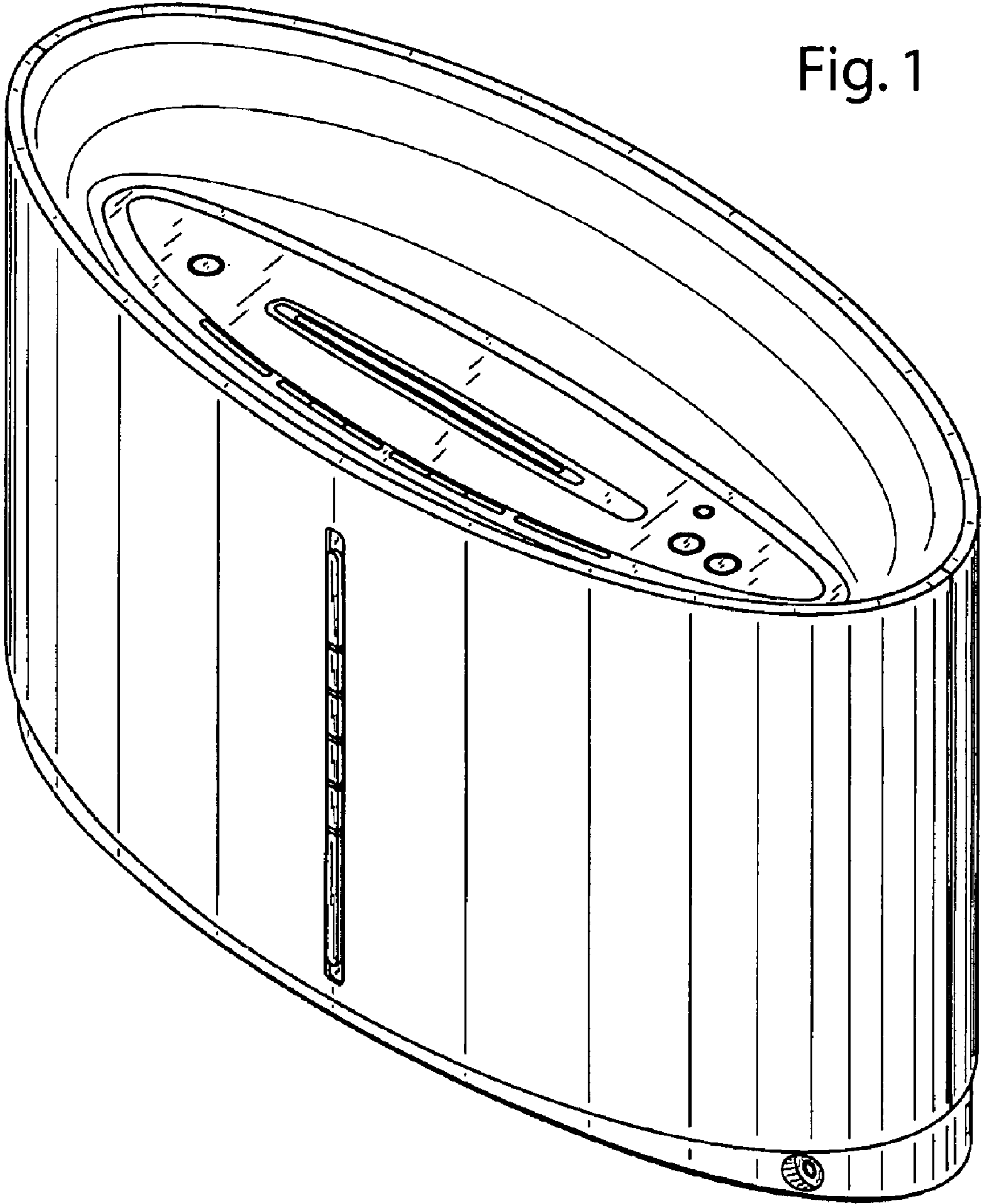


Fig. 1

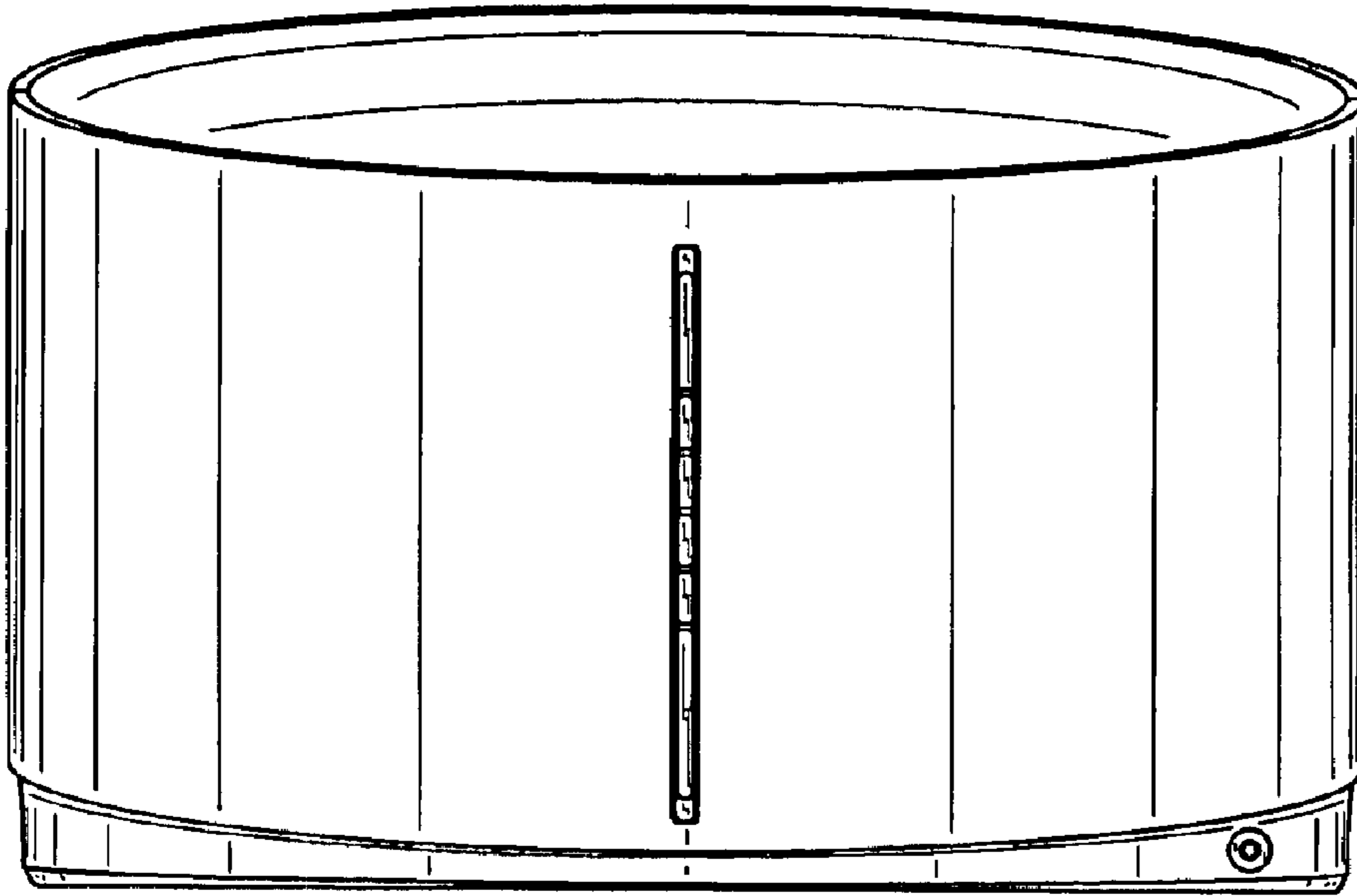


Fig. 2

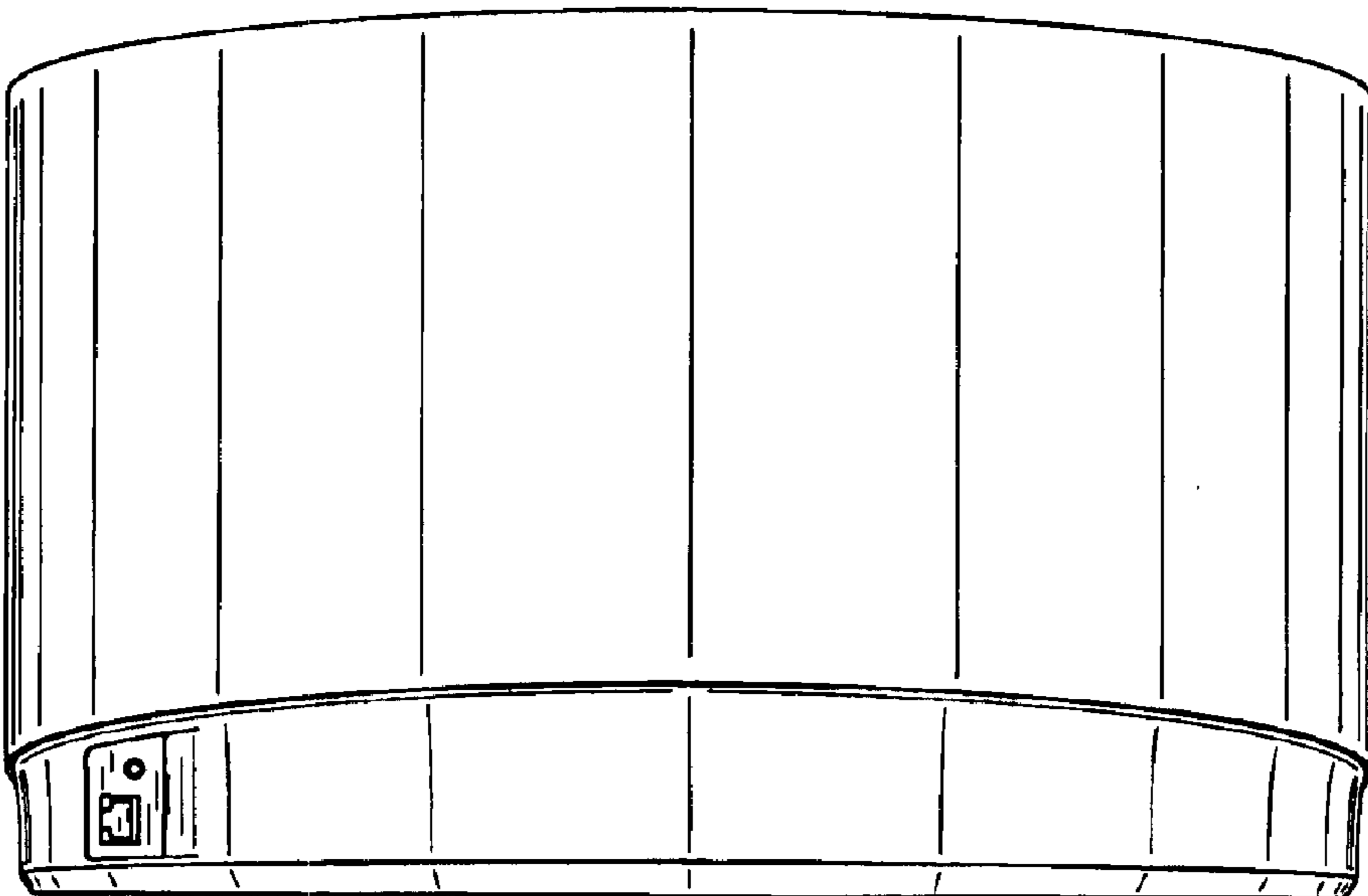


Fig. 3

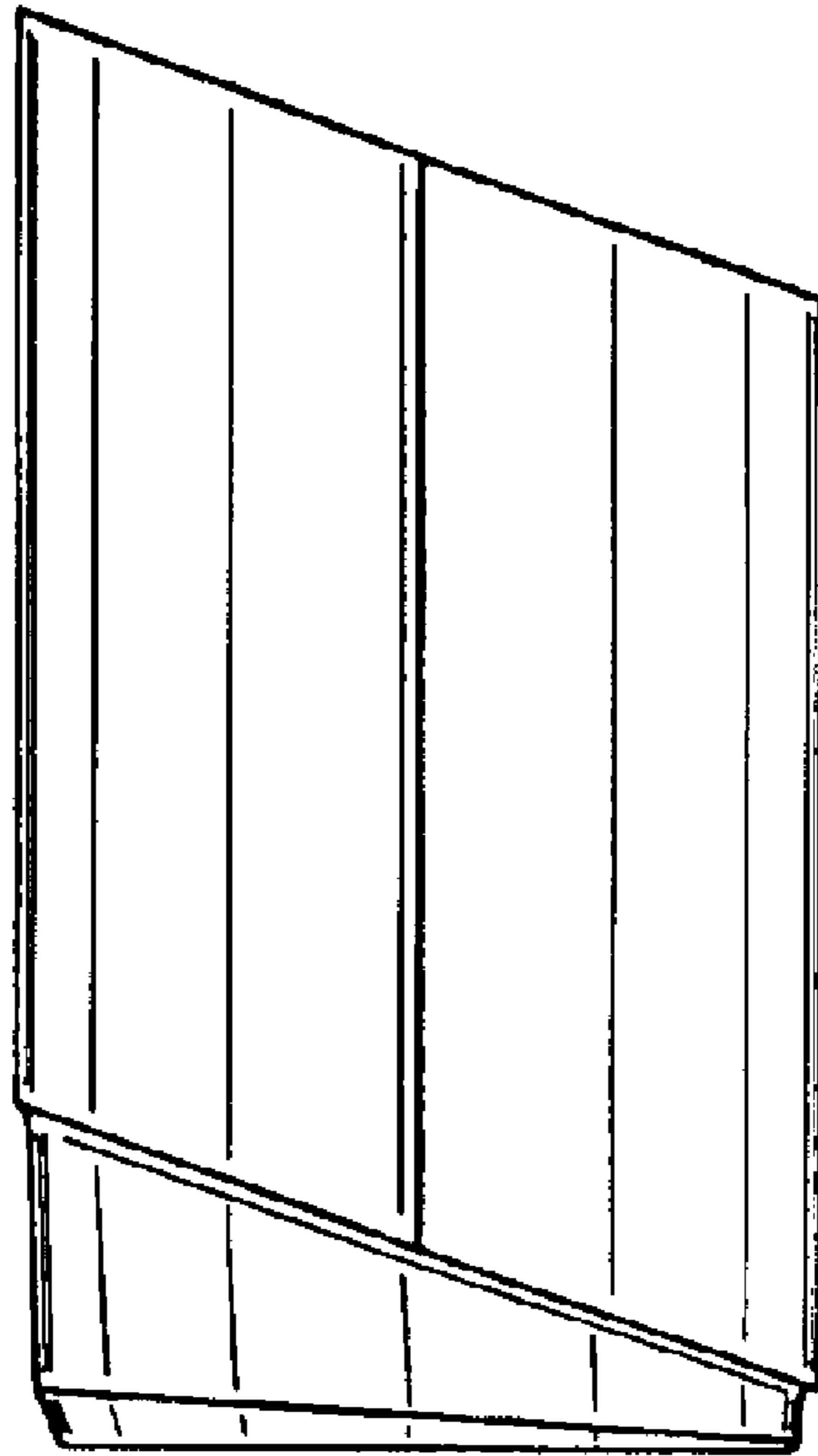


Fig. 4



Fig. 5

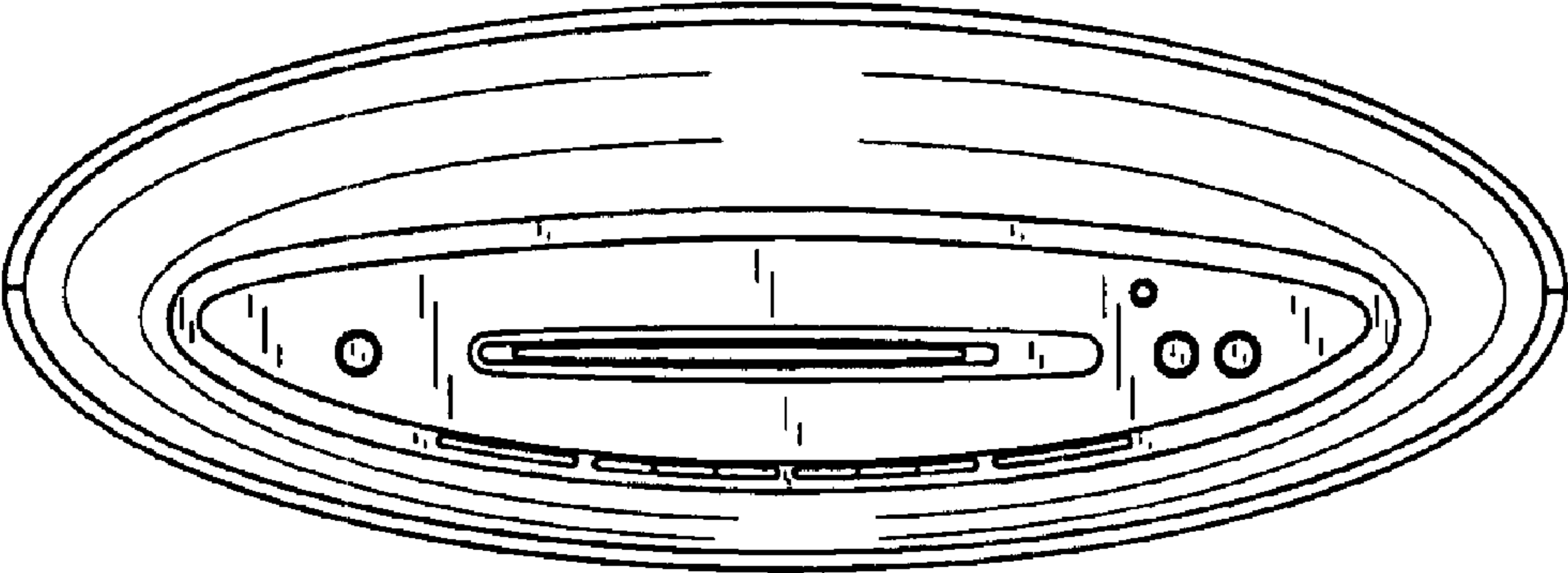


Fig. 6

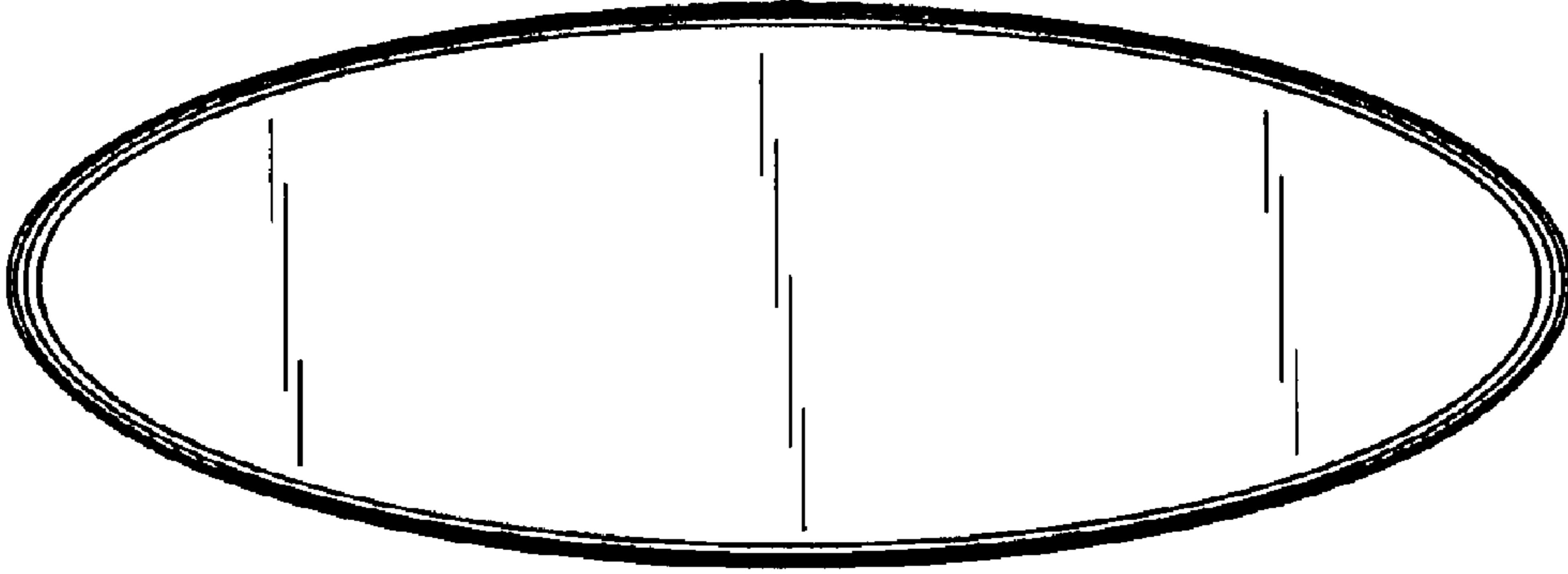


Fig. 7