

US00D505129S

(12) **United States Design Patent**
Yuyama

(10) **Patent No.:** **US D505,129 S**
(45) **Date of Patent:** **** May 17, 2005**

(54) **AUDIO/DATA DISC PLAYER**

(75) Inventor: **Yasuo Yuyama**, Tokyo (JP)

(73) Assignee: **Sony Corporation**, Tokyo (JP)

(**) Term: **14 Years**

(21) Appl. No.: **29/203,750**

(22) Filed: **Apr. 20, 2004**

(51) **LOC (7) Cl.** **14-01**

(52) **U.S. Cl.** **D14/168; D14/156**

(58) **Field of Search** **D14/135-136,**
D14/156-157, 160-165, 167-168, 192-198,
217, 348-356, 359, 363; 455/347-351;
369/75.1, 75.2, 77.1, 77.2

(56) **References Cited**

U.S. PATENT DOCUMENTS

D396,860 S	8/1998	Yasutomi	
D455,416 S	* 4/2002	McDermott	D14/168
D457,153 S	* 5/2002	Allen	D14/168
D469,751 S	* 2/2003	Kimura	D14/156
D470,832 S	* 2/2003	Oikawa	D14/168

OTHER PUBLICATIONS

Web page "SS220 Aluminum Line Speaker" http://www.yodobashi.com/enjoy/more/i/oid2_872/15125901.html, 2 sheets, Yodobashi Camera (Apr. 2004).

* cited by examiner

Primary Examiner—Nanda Bondade

(74) *Attorney, Agent, or Firm*—Rader, Fishman & Grauer PLLC

(57) **CLAIM**

The ornamental design for an audio/data disc player, as shown and described.

DESCRIPTION

FIG. 1 is a perspective view of an audio/data disc player showing my new design;

FIG. 2 is a front elevational view thereof;

FIG. 3 is a rear elevational view thereof;

FIG. 4 is a left side elevational view thereof;

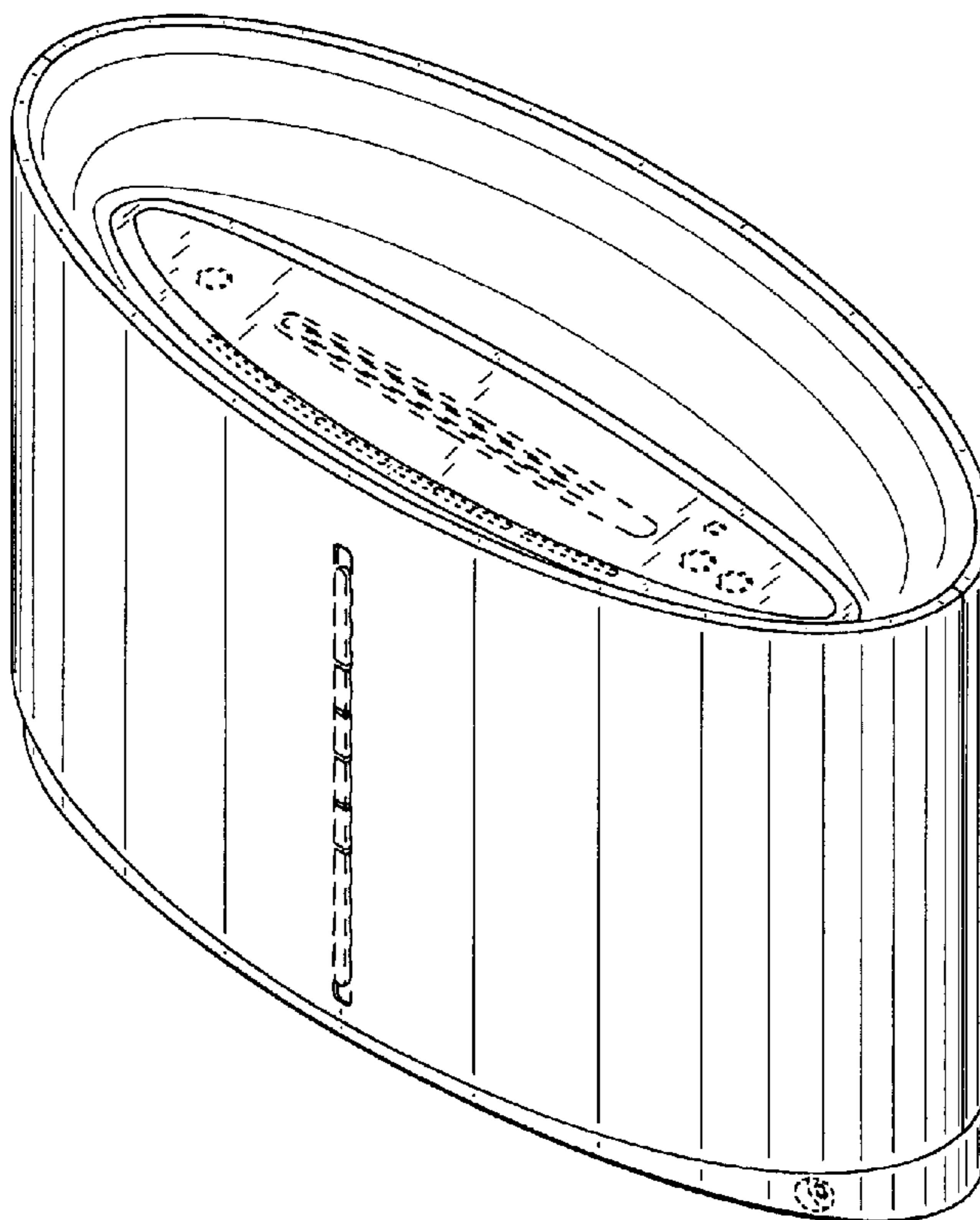
FIG. 5 is a right side elevational view thereof;

FIG. 6 is a top plan view thereof; and,

FIG. 7 is a bottom plan view thereof.

Portions of FIGS. 1-6 that are shown as broken lines are for illustrative purpose only and form no part of the claimed design.

1 Claim, 4 Drawing Sheets



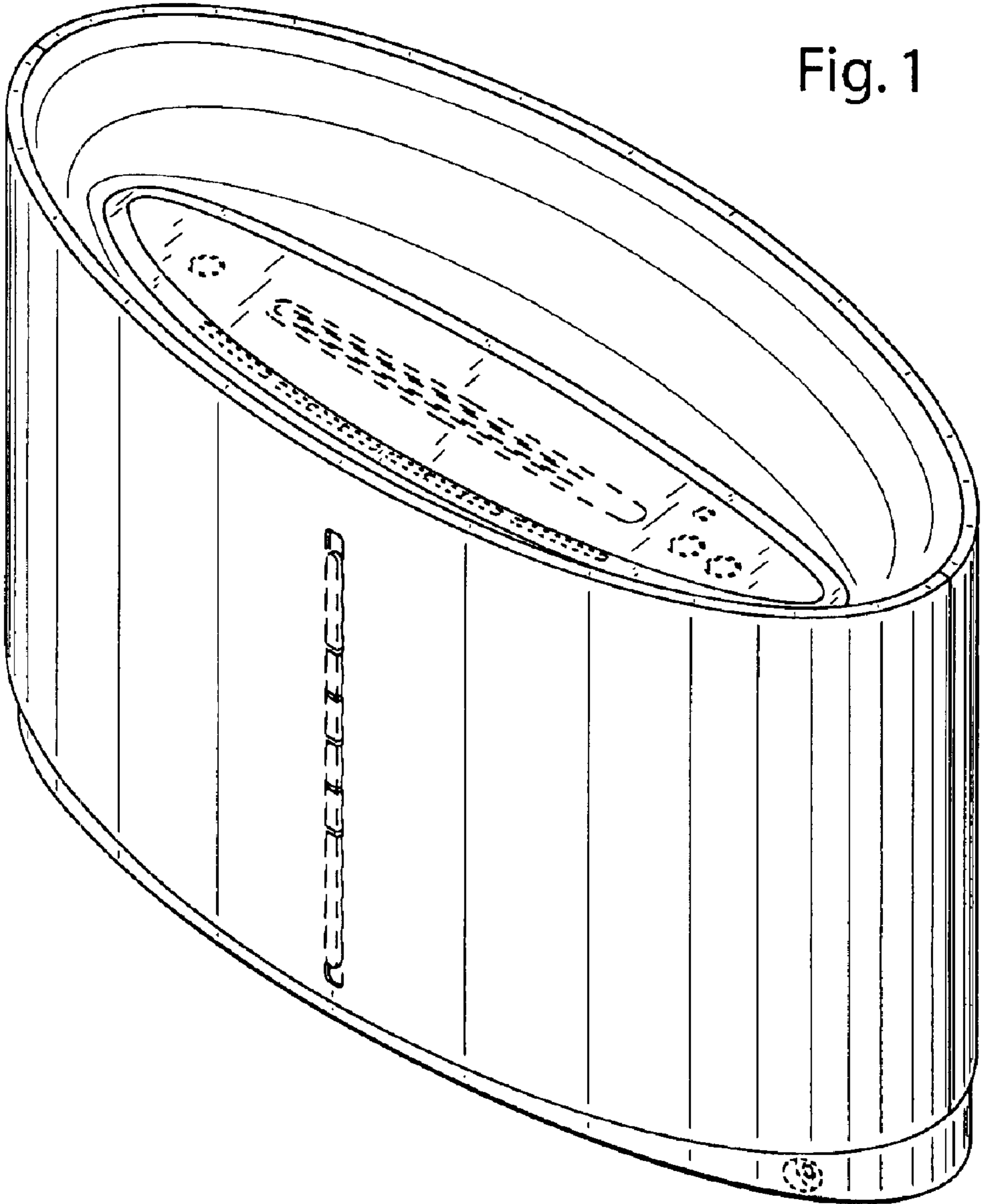


Fig. 1

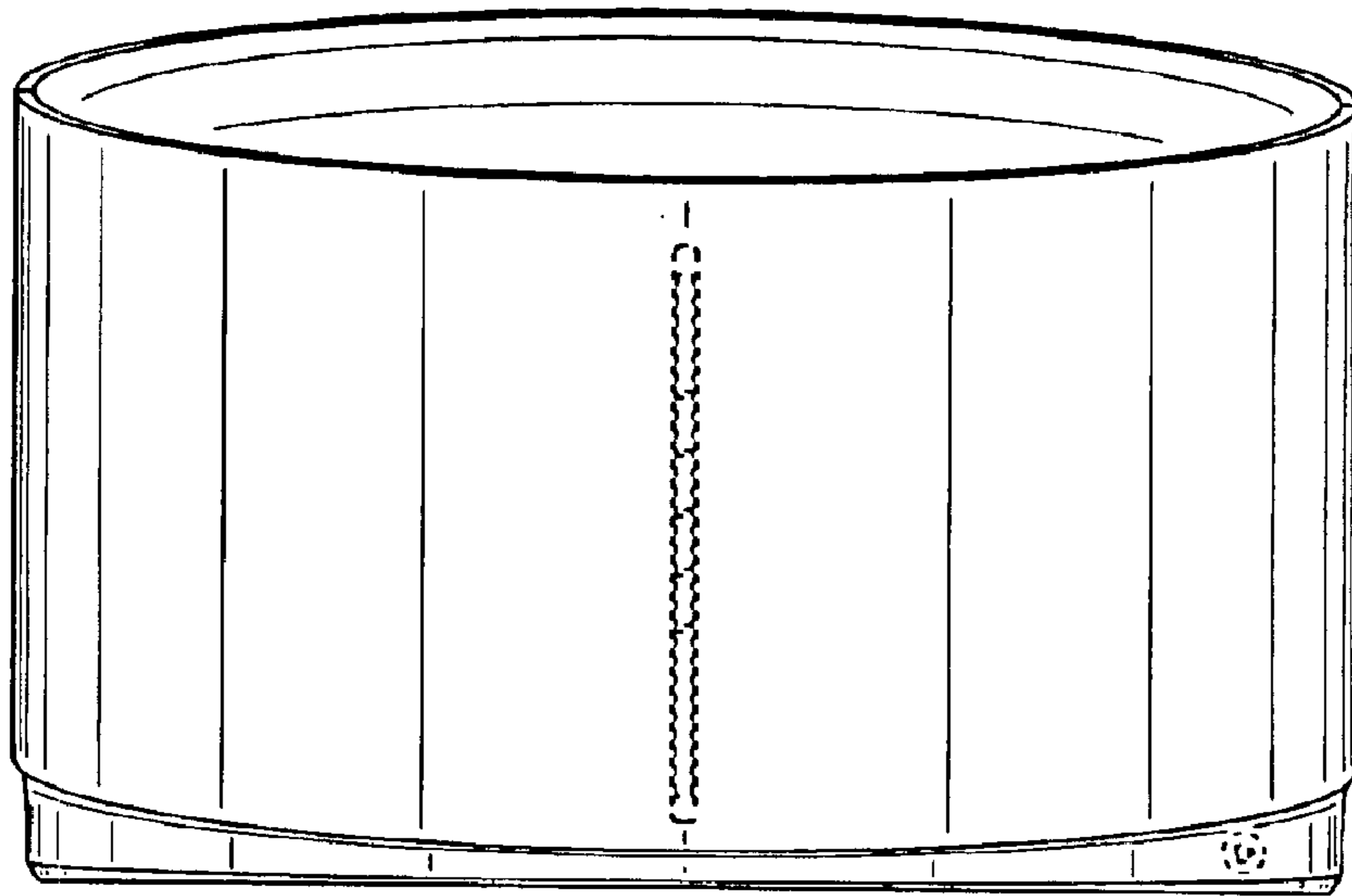


Fig. 2

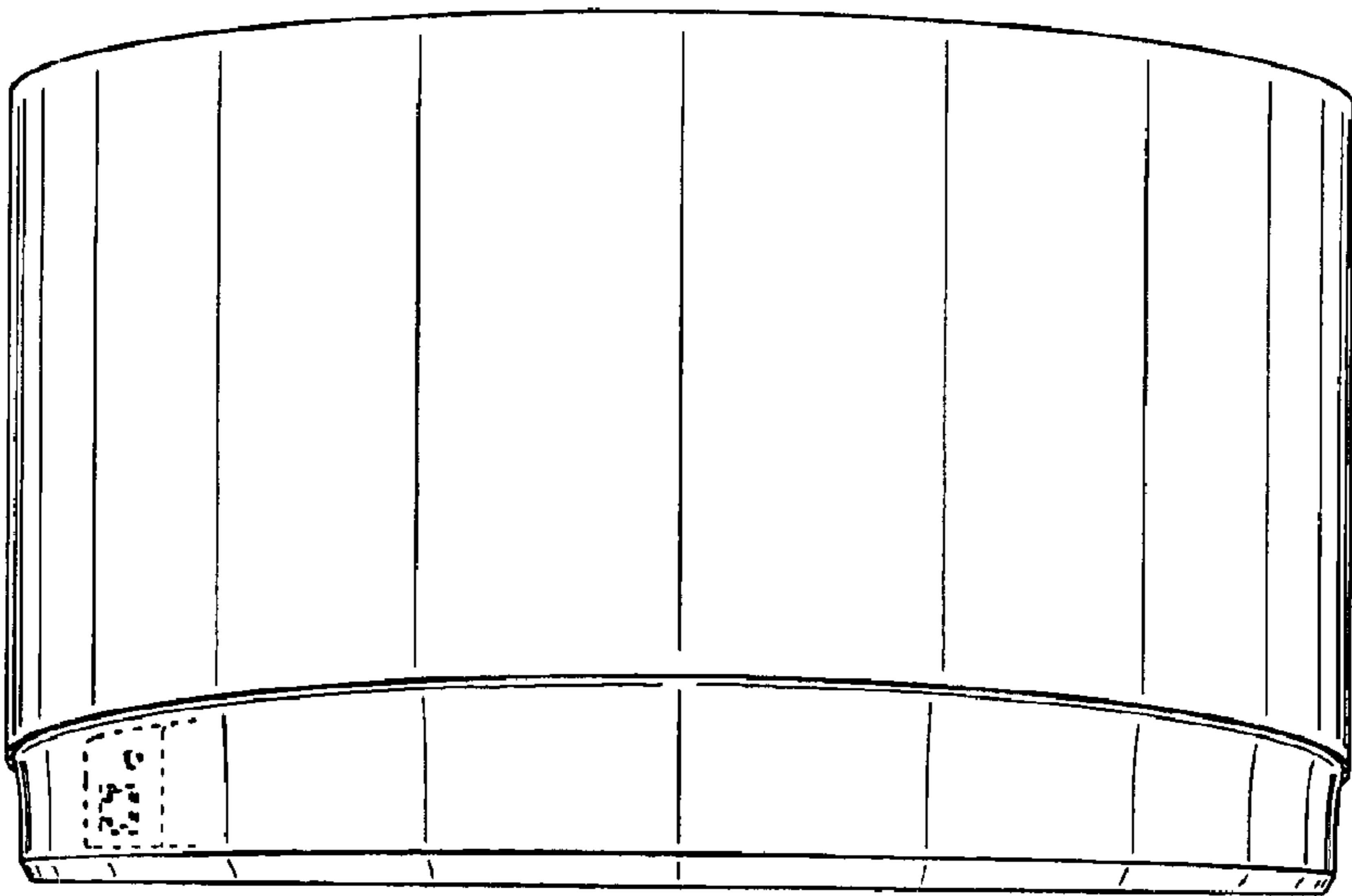


Fig. 3



Fig. 4



Fig. 5

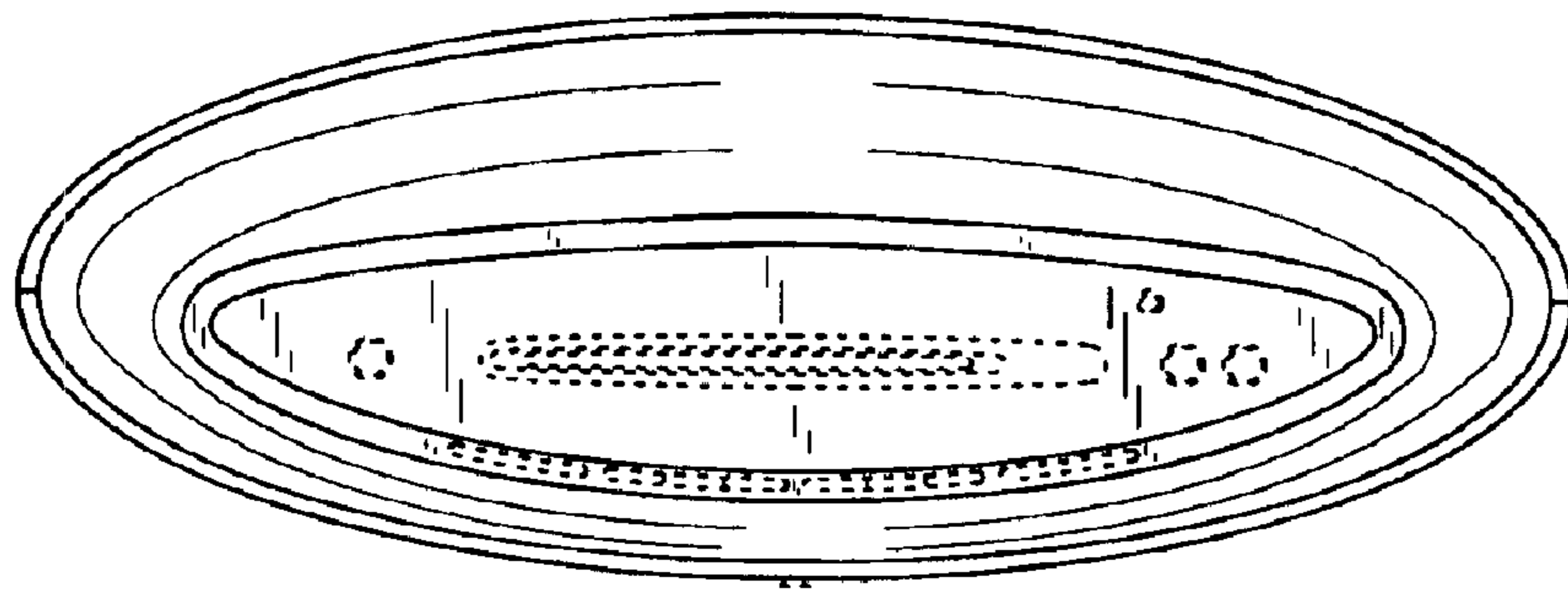


Fig. 6

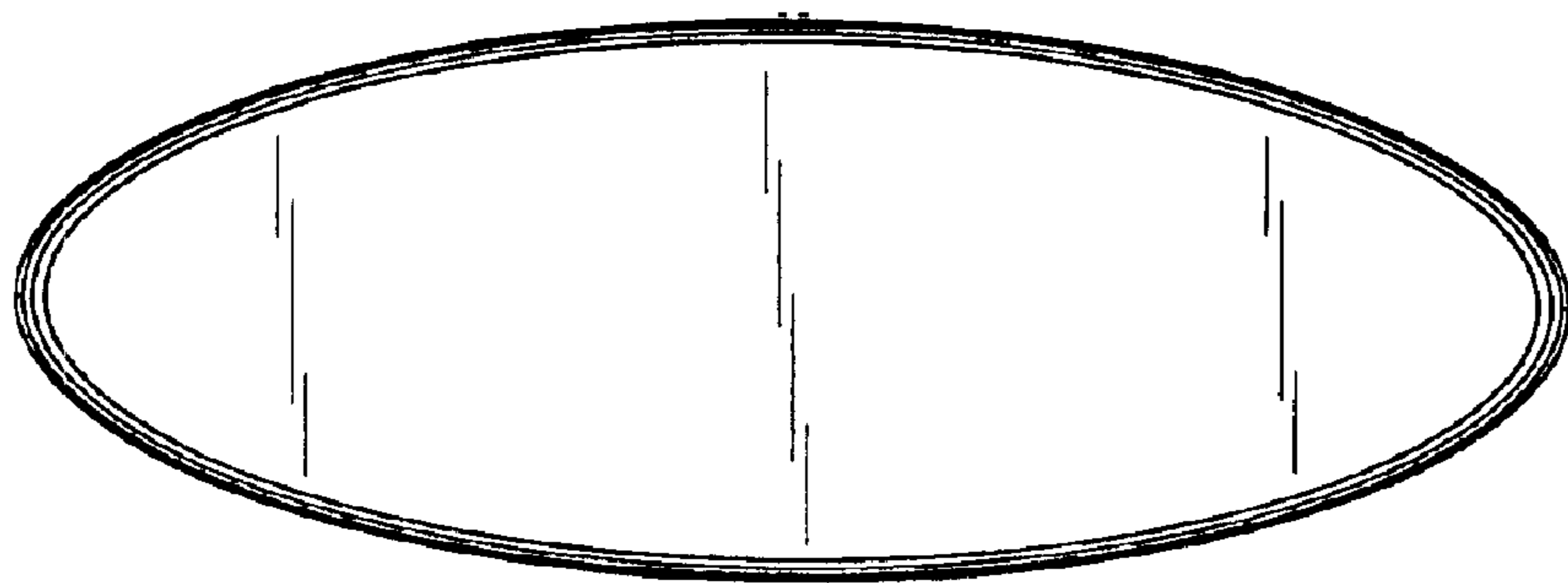


Fig. 7