



US00D505128S

(12) **United States Design Patent**
Lam

(10) **Patent No.:** **US D505,128 S**

(45) **Date of Patent:** **** May 17, 2005**

(54) **SOLAR AND DYNAMO POWERED RADIO WITH LIGHT**

(75) **Inventor:** **Yuen-Ming Lam, Chaiwan (HK)**

(73) **Assignee:** **Goldmaster Development Limited, Chaiwan (HK)**

(**) **Term:** **14 Years**

(21) **Appl. No.:** **29/179,299**

(22) **Filed:** **Apr. 9, 2003**

(30) **Foreign Application Priority Data**

Feb. 8, 2003 (HK) 0310201

(51) **LOC (7) Cl.** **14-01**

(52) **U.S. Cl.** **D14/168; D26/52; D26/38**

(58) **Field of Search** **D10/1, 2, 15; D14/168, D14/170, 171, 188, 193-198; 312/7.1; 455/90, 100, 128, 344, 347, 350-351; D21/533, 548; D26/38, 52**

(56) **References Cited**

U.S. PATENT DOCUMENTS

D321,262 S * 10/1991 Yuen D26/38

D321,263 S * 10/1991 Yuen D26/38

D378,818 S * 4/1997 Yuen D14/168

D410,099 S * 5/1999 Lam D26/38

D468,038 S * 12/2002 Poon D26/38

* cited by examiner

Primary Examiner—Nanda Bondade

(74) *Attorney, Agent, or Firm*—Burns, Doane, Swecker & Mathis, L.L.P.

(57) **CLAIM**

The ornamental design for a “solar and dynamo powered radio with light,” as shown and described.

DESCRIPTION

FIG. 1 is a front view of a “solar and dynamo powered radio with light” showing my design;

FIG. 2 is a rear view thereof;

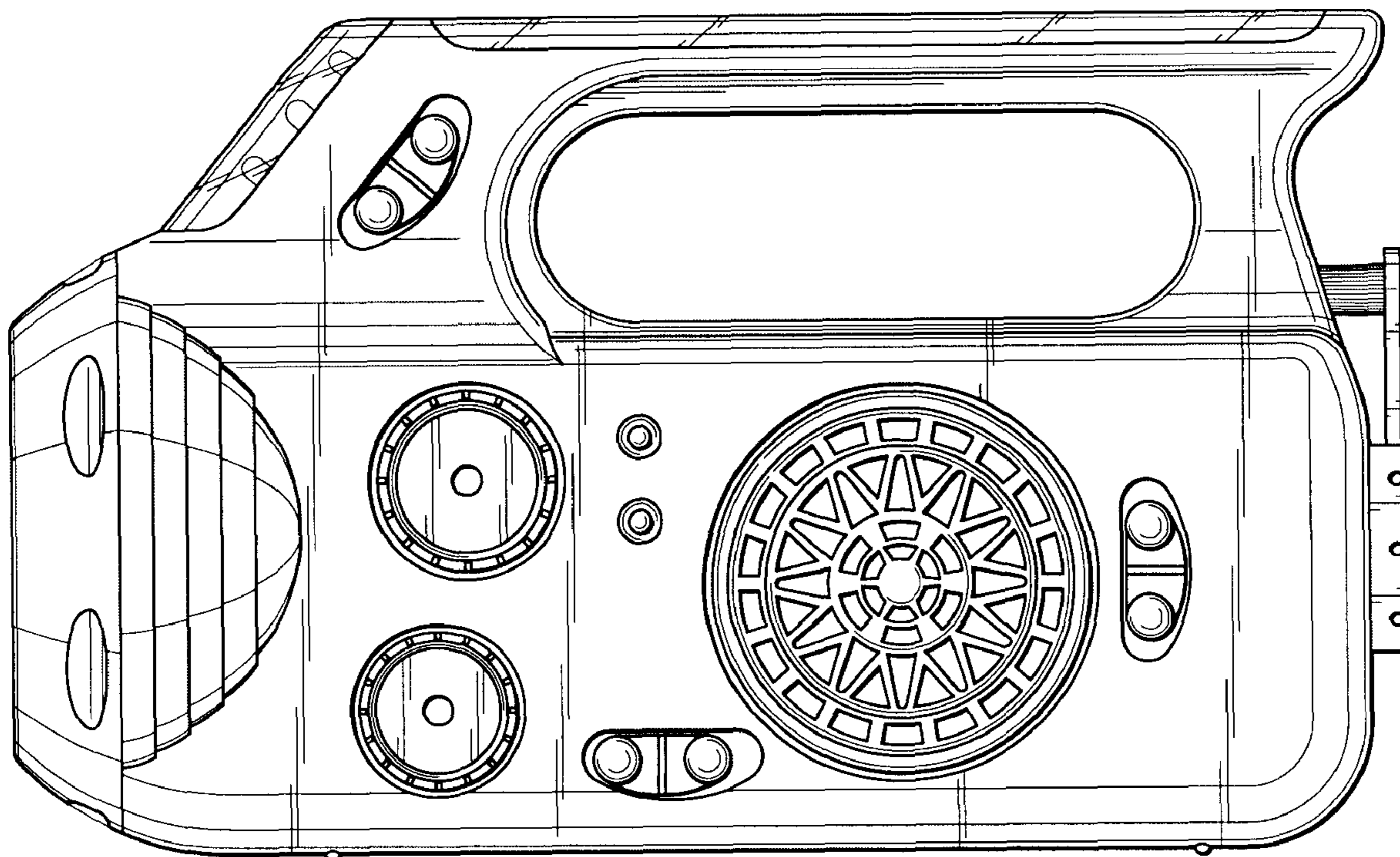
FIG. 3 is a left side view thereof;

FIG. 4 is a right side view thereof;

FIG. 5 is a top plan view thereof; and,

FIG. 6 is a bottom view thereof.

1 Claim, 3 Drawing Sheets



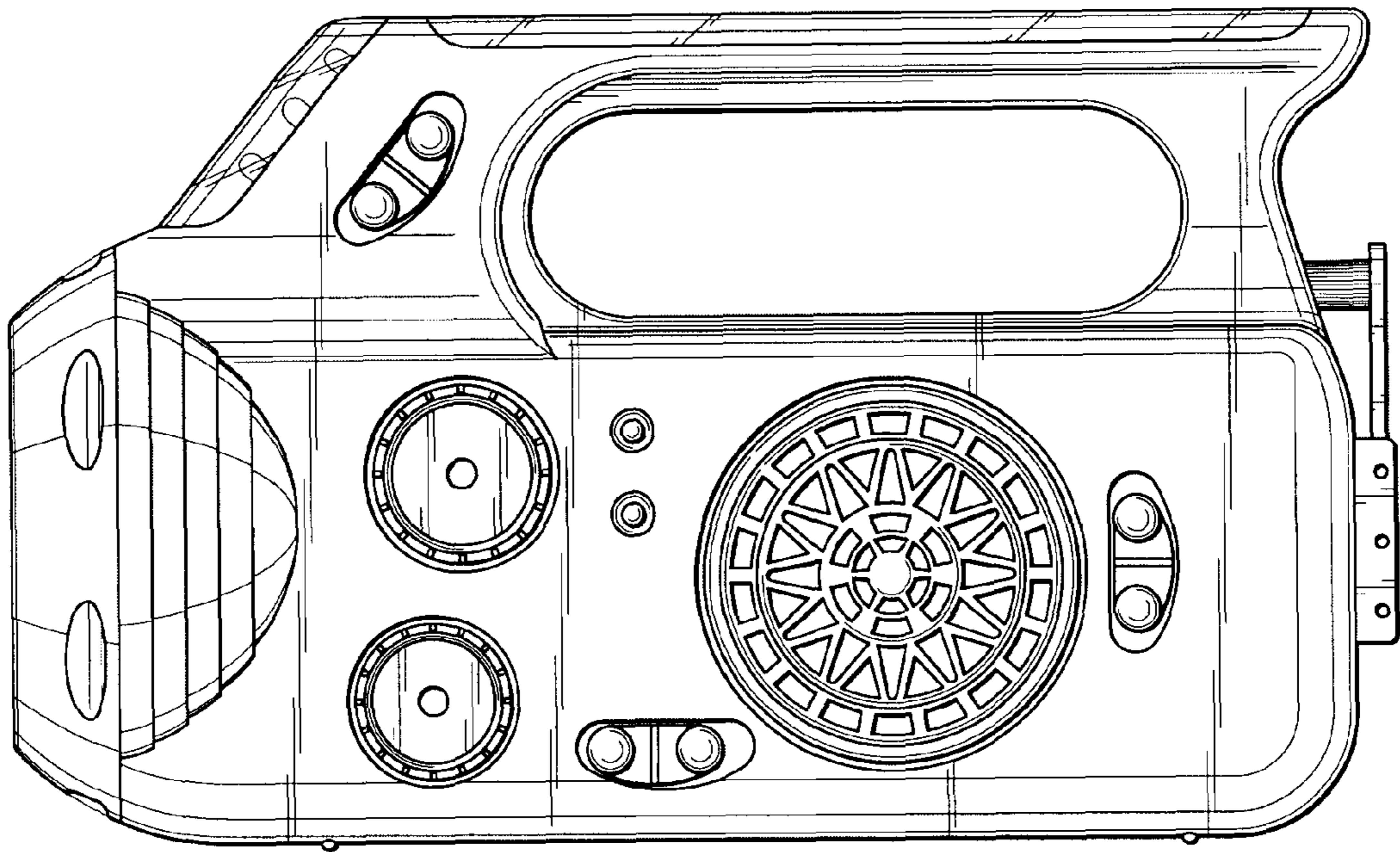


FIG. 1

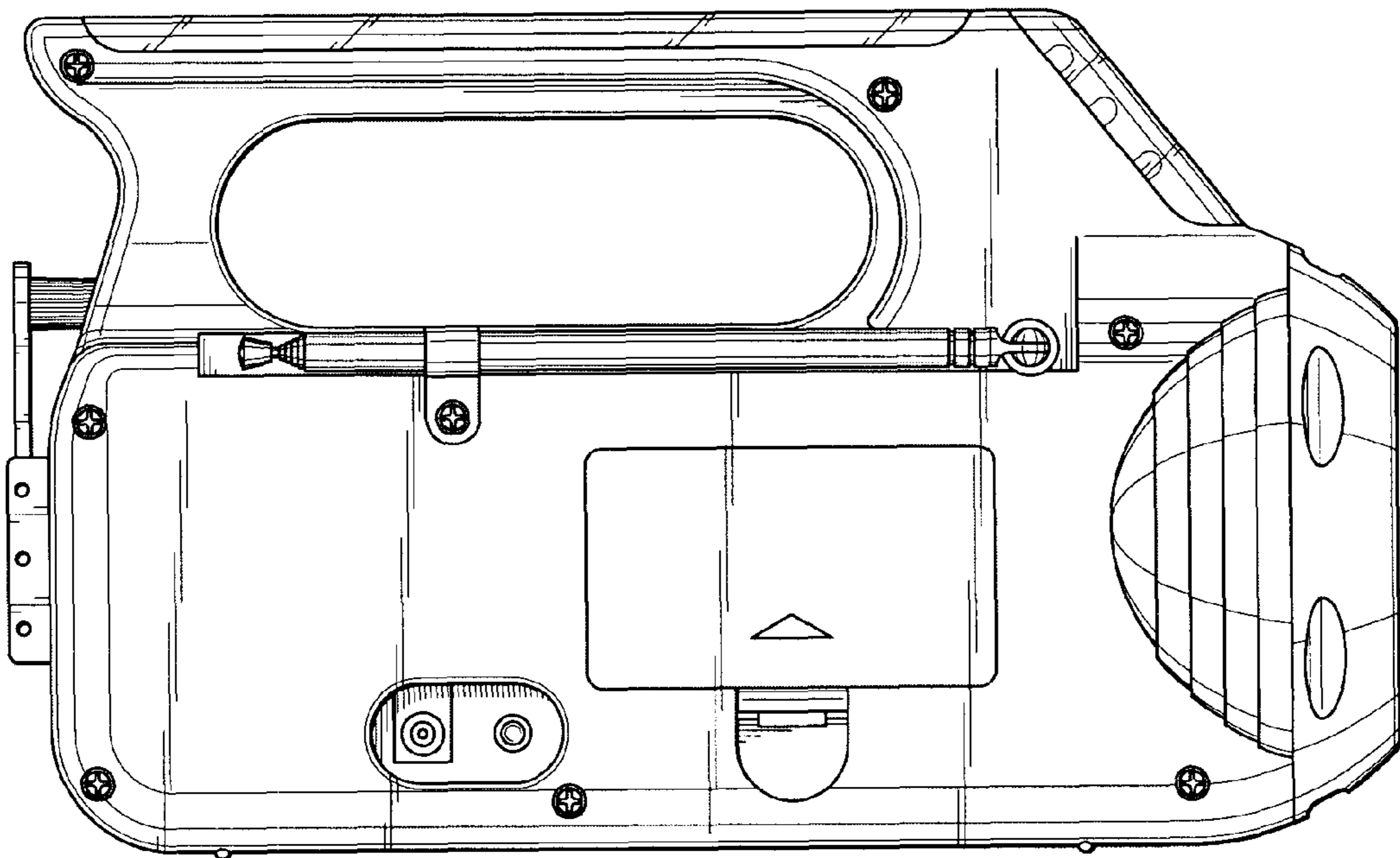


FIG. 2

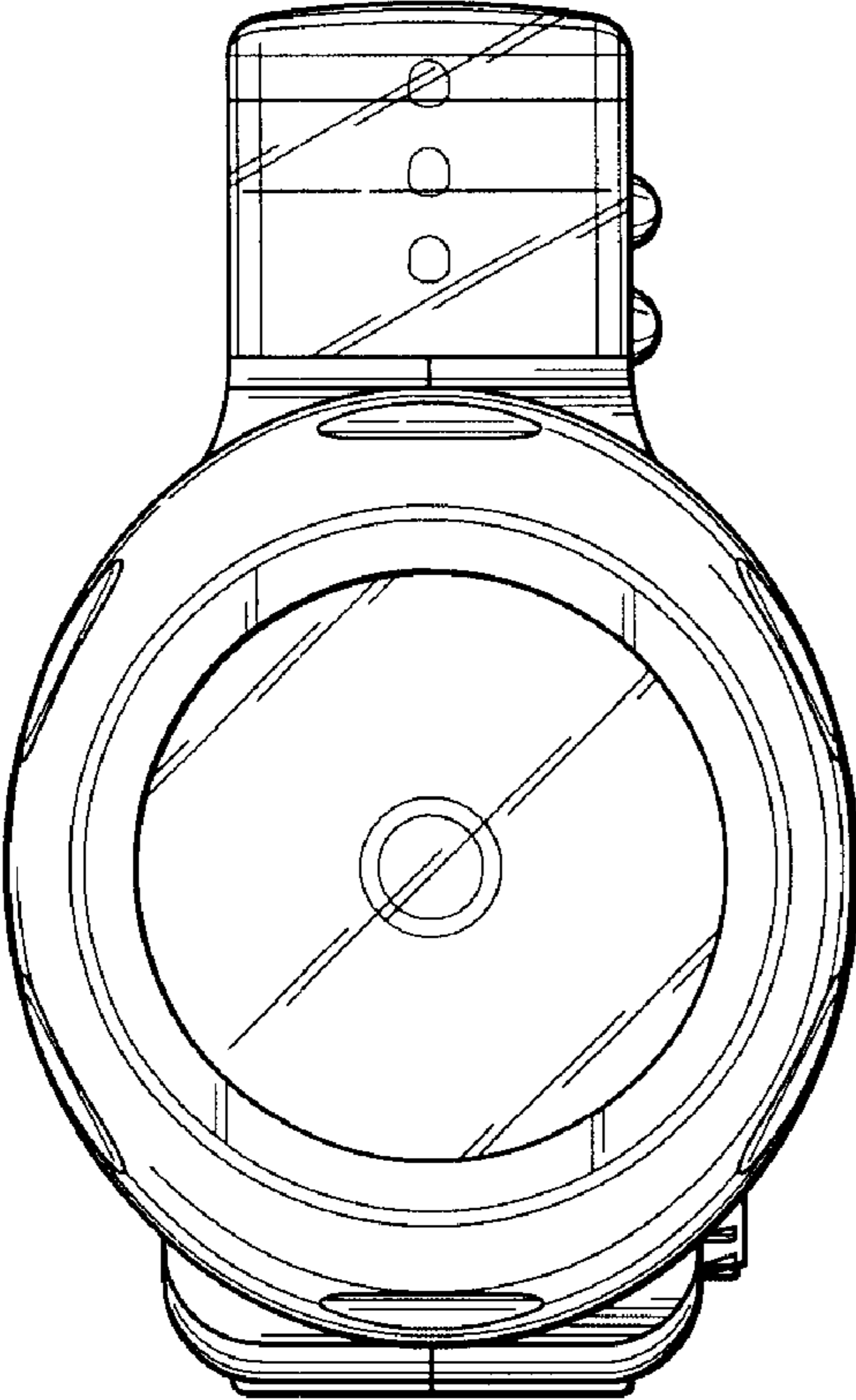


FIG. 3

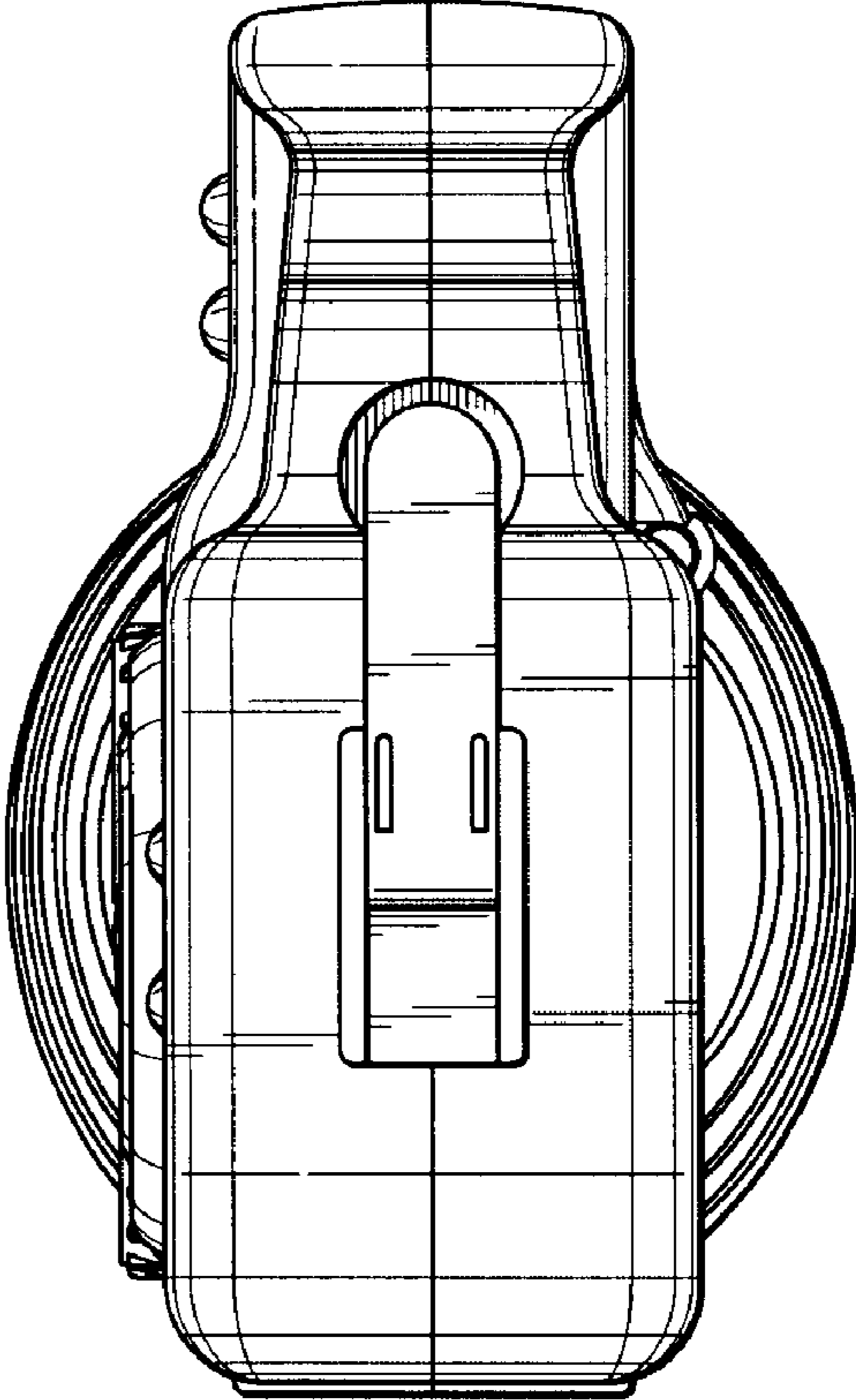


FIG. 4

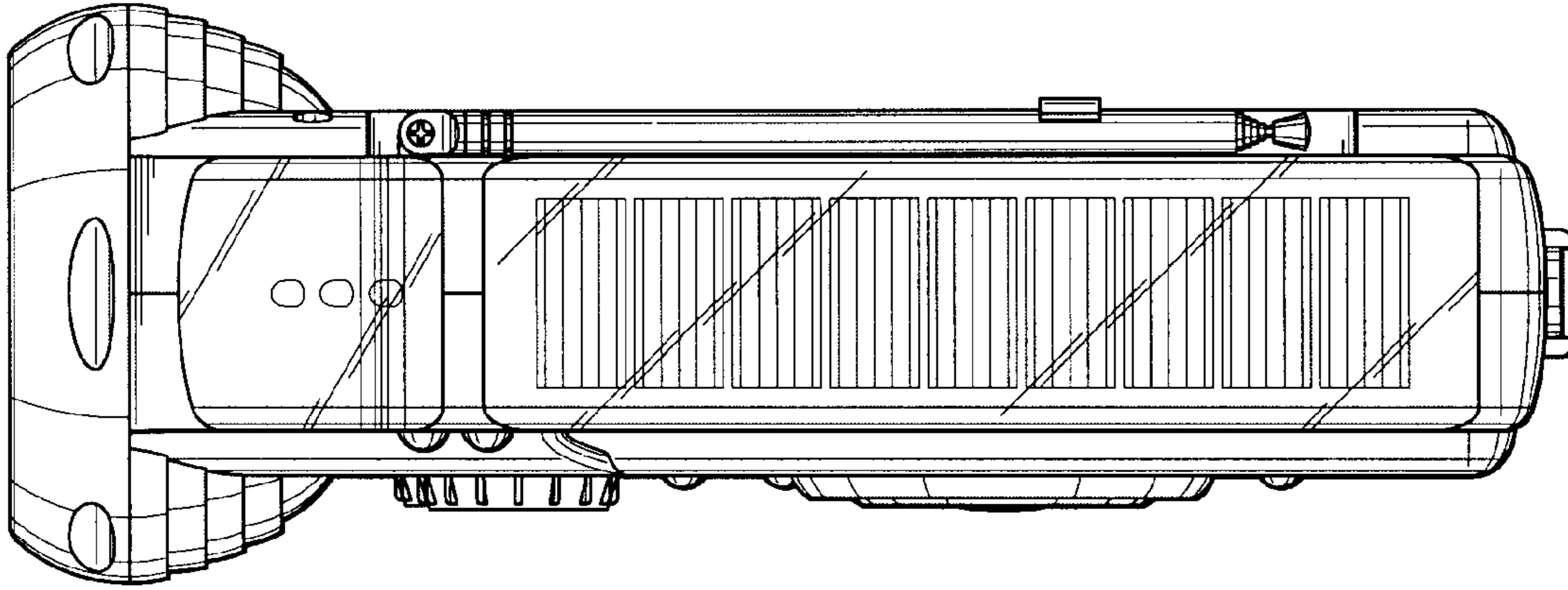


FIG. 5

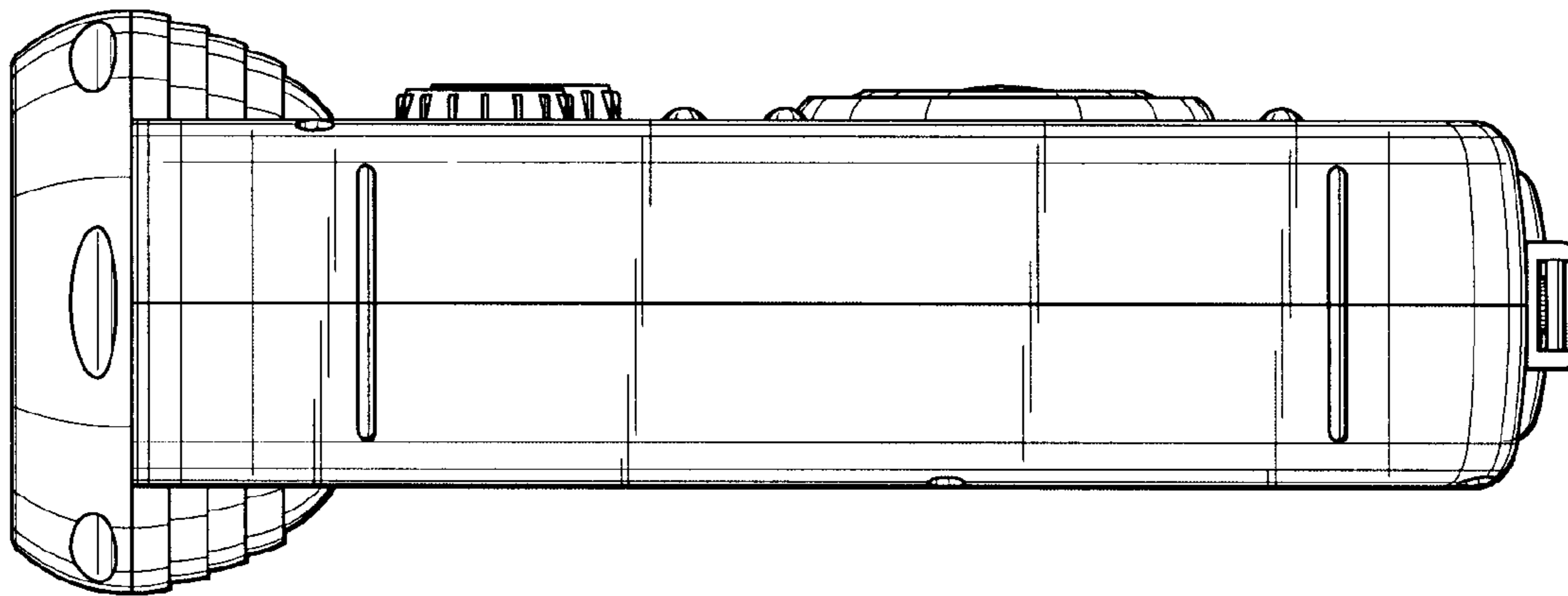


FIG. 6