

US00D505119S

(12) **United States Design Patent**
Barone

(10) **Patent No.:** **US D505,119 S**
(45) **Date of Patent:** **** May 17, 2005**

- (54) **DECORATIVE ROCKER SWITCH**
- (75) **Inventor:** **Stephen Barone**, Dix Hills, NY (US)
- (73) **Assignee:** **Electro-Optic Technologies, LLC**, Dix Hills, NY (US)
- (**) **Term:** **14 Years**
- (21) **Appl. No.:** **29/192,672**
- (22) **Filed:** **Oct. 28, 2003**

Related U.S. Application Data

- (60) Division of application No. 29/183,867, filed on Jun. 18, 2003, which is a continuation-in-part of application No. 09/830,594, filed as application No. PCT/US99/25161 on Oct. 27, 1999, now Pat. No. 6,690,018.
- (51) **LOC (7) Cl.** **13-03**
- (52) **U.S. Cl.** **D13/174; D13/169**
- (58) **Field of Search** **D13/169, 174; 200/303, 310, 315, 333, 457; 307/157**

References Cited

U.S. PATENT DOCUMENTS

D188,325 S	7/1960	Brown	
3,036,219 A	5/1962	Thompson	
3,524,180 A	8/1970	Cruse	
3,631,434 A	12/1971	Schwarz	
D224,972 S	10/1972	Fujimoto	
3,703,718 A	11/1972	Berman	
D234,774 S	4/1975	Handel	
3,886,360 A	5/1975	Reiss et al.	
3,958,118 A	5/1976	Schwarz	
4,122,427 A	10/1978	Karsh	
D256,011 S	7/1980	Matsuda	
4,221,941 A	* 9/1980	Genovese	200/457
4,321,594 A	3/1982	Galvin et al.	
4,342,987 A	8/1982	Rossin	
4,404,468 A	9/1983	Kleinschmidt	
4,420,688 A	12/1983	LeBars	
4,429,223 A	1/1984	Wagli	
4,429,224 A	1/1984	Wagli et al.	
4,442,359 A	4/1984	Lederer	
4,661,720 A	4/1987	Cameron, Jr. et al.	
4,663,521 A	5/1987	Maile	
4,768,020 A	8/1988	Chen	

4,779,240 A	10/1988	Dorr	
4,876,445 A	10/1989	McMaster	
4,912,331 A	3/1990	Owers	
4,978,843 A	12/1990	Yamakawa	
5,189,393 A	2/1993	Hu	
5,213,204 A	* 5/1993	Sommer	200/303
5,266,807 A	11/1993	Neiger	
5,308,985 A	5/1994	Lee	
5,491,467 A	2/1996	Tracy et al.	
5,560,475 A	* 10/1996	Brundage et al.	200/315
5,584,381 A	* 12/1996	Brundage et al.	200/315
5,640,143 A	6/1997	Myron et al.	
5,915,332 A	6/1999	Young et al.	
5,929,445 A	7/1999	Barone	
5,934,451 A	* 8/1999	Yu et al.	200/315
6,005,308 A	* 12/1999	Bryde et al.	307/157
6,198,061 B1	* 3/2001	Amari	200/310
D472,525 S	* 4/2003	Barone	D13/169
6,586,694 B2	* 7/2003	Shotey et al.	200/333

* cited by examiner

Primary Examiner—Stella Reid

Assistant Examiner—Selina Sikder

(74) *Attorney, Agent, or Firm*—Carter, Deluca, Farrell & Schmidt, LLP

(57)

CLAIM

The ornamental design for a decorative rocker switch, as shown and described.

DESCRIPTION

FIG. 1 is a perspective view of a decorative rocker switch having a window which is not centered on the center line of the rocker;

FIG. 2 is a top view of the decorative rocker switch of FIG. 1;

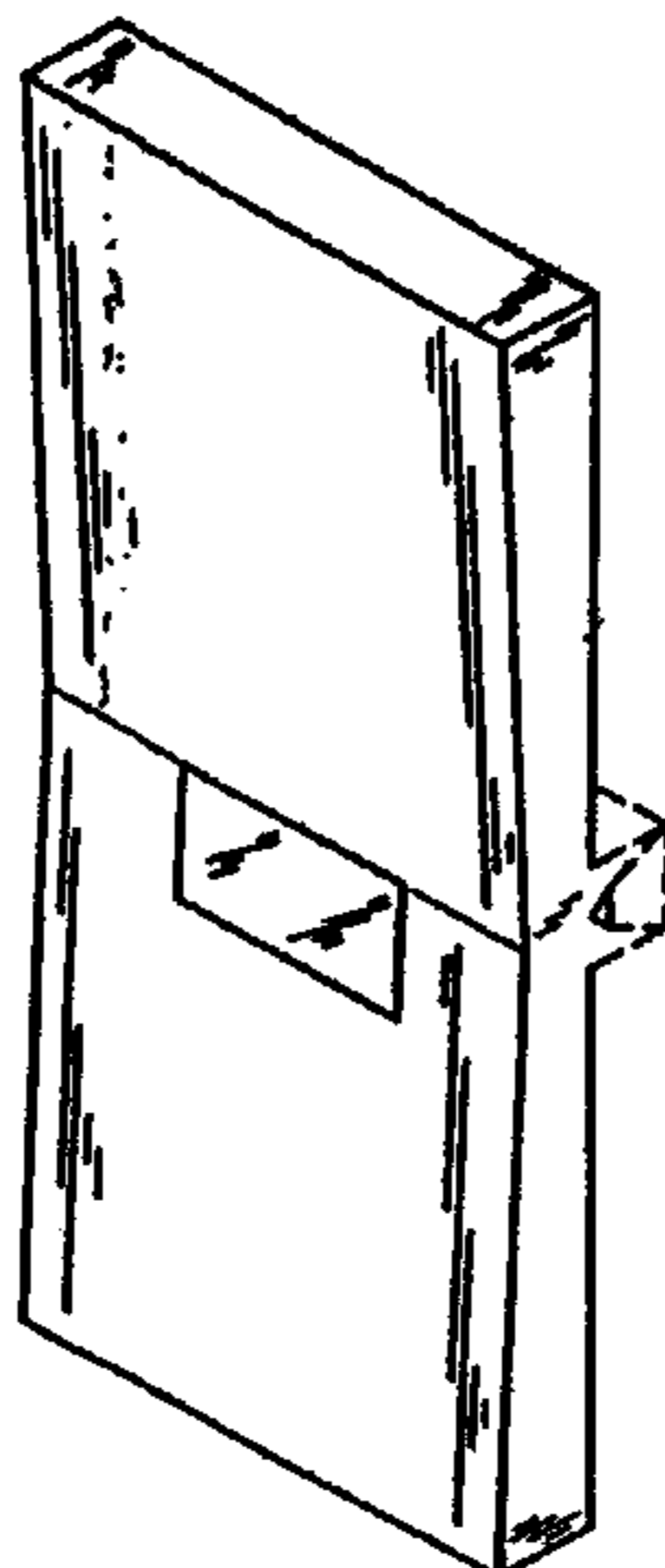
FIG. 3 is a bottom view of the decorative rocker switch of FIG. 1;

FIG. 4 is a side view of the decorative rocker switch of FIG. 1, the other side view being the same;

FIG. 5 is a top end view of the decorative rocker switch of FIG. 1, the bottom end view being the same; and,

FIG. 6 is a perspective view of the decorative rocker switch of FIG. 1 showing an intended environment in phantom. The broken line showing of the environment is for illustrative purposes only and form no part of the claimed design.

1 Claim, 2 Drawing Sheets



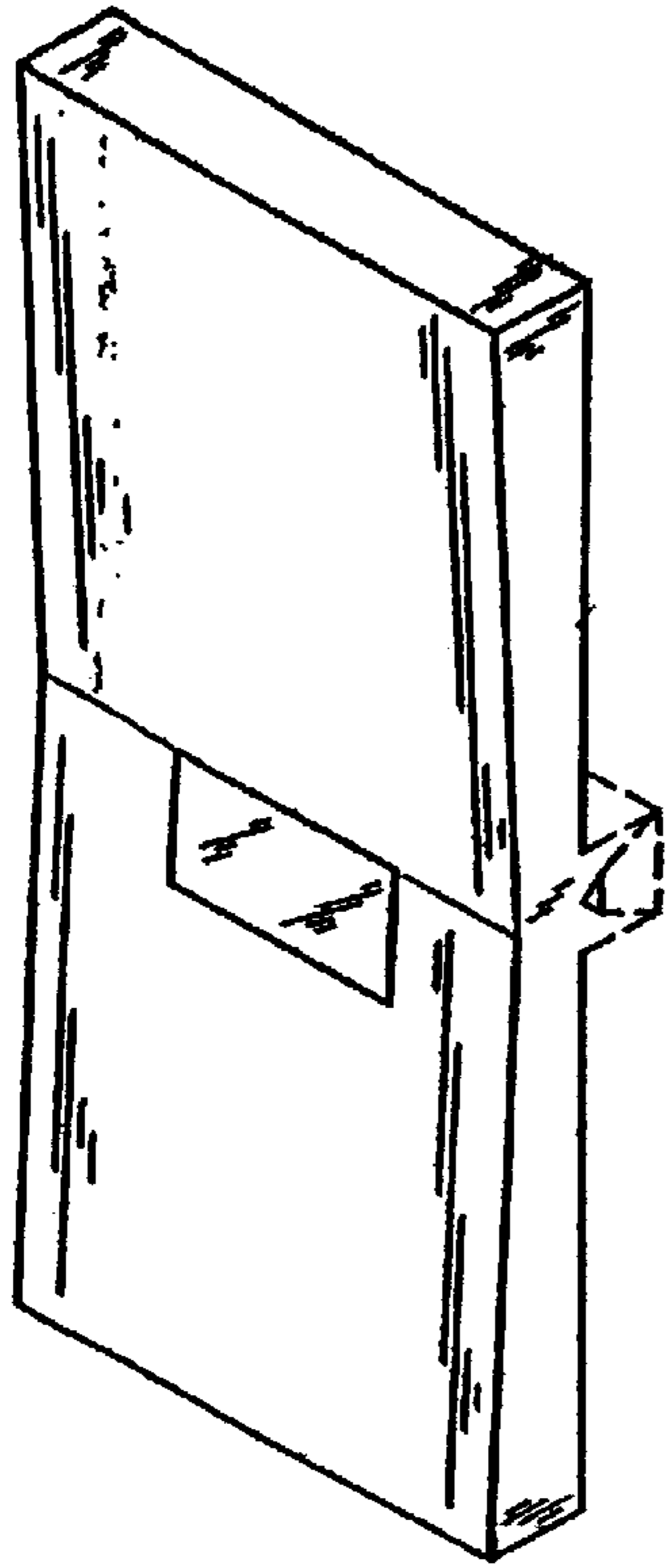


FIG. 1

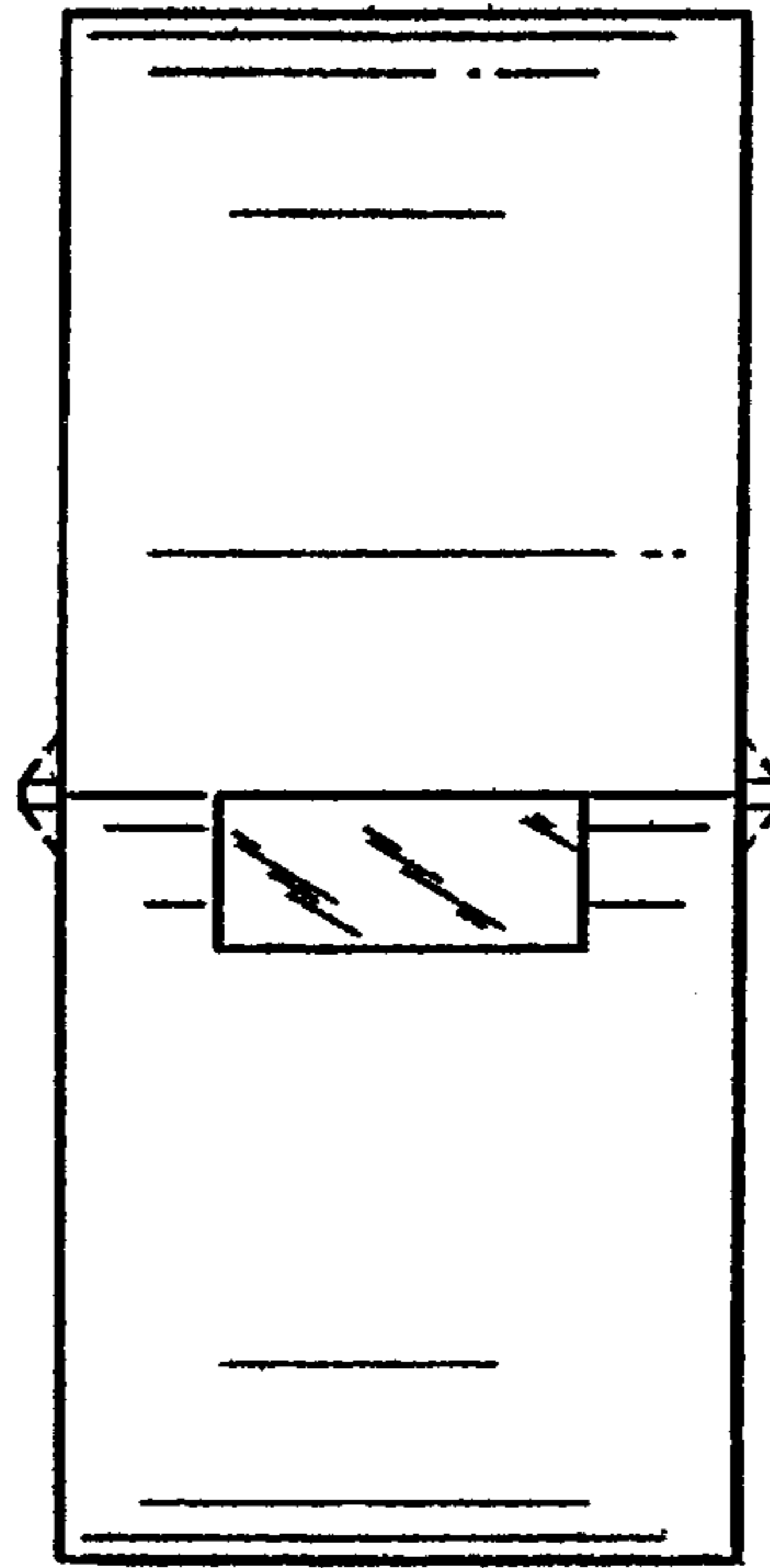


FIG. 2

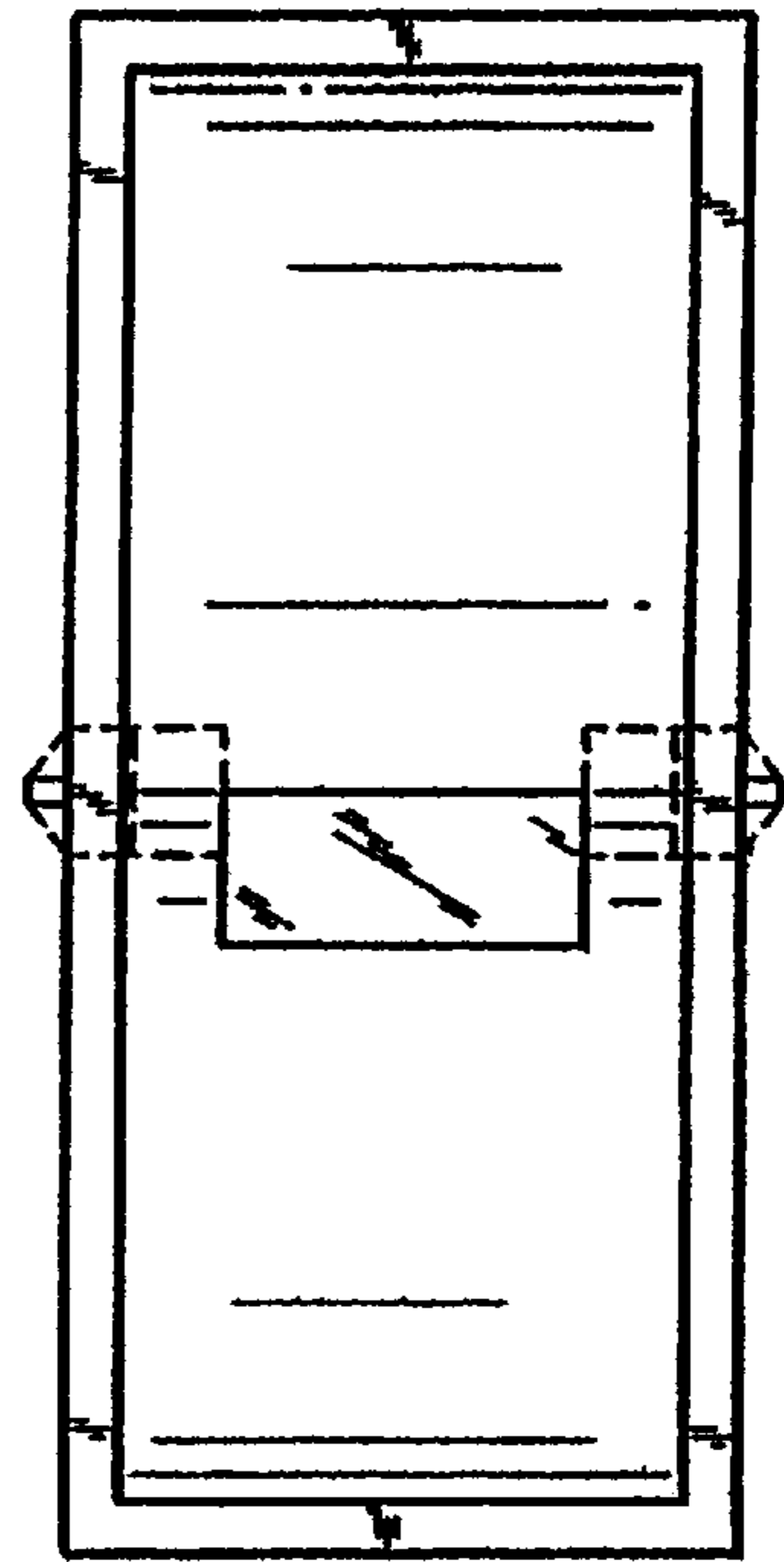


FIG. 3



FIG. 4

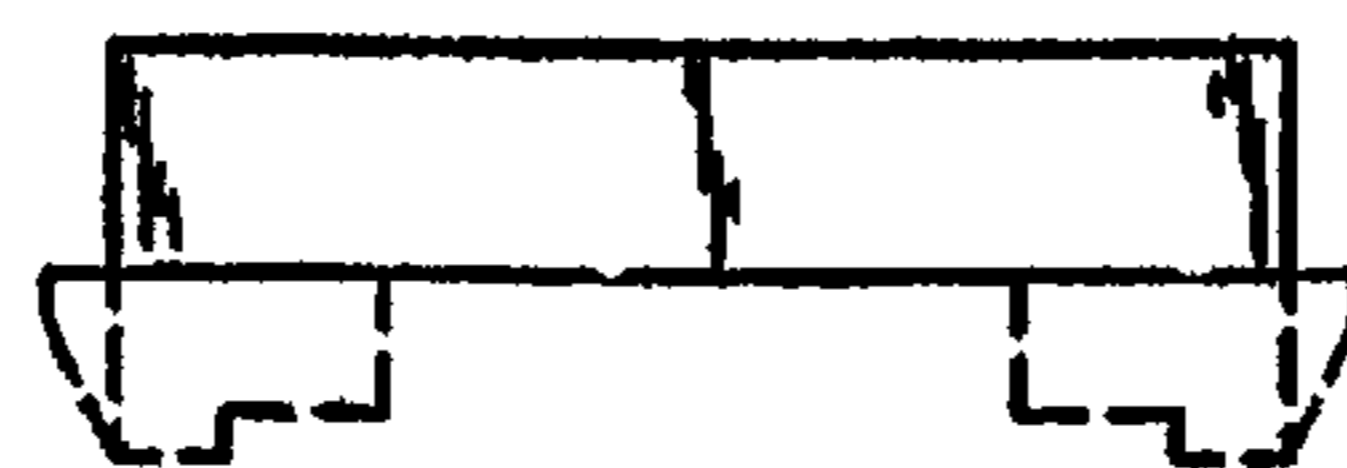


FIG. 5

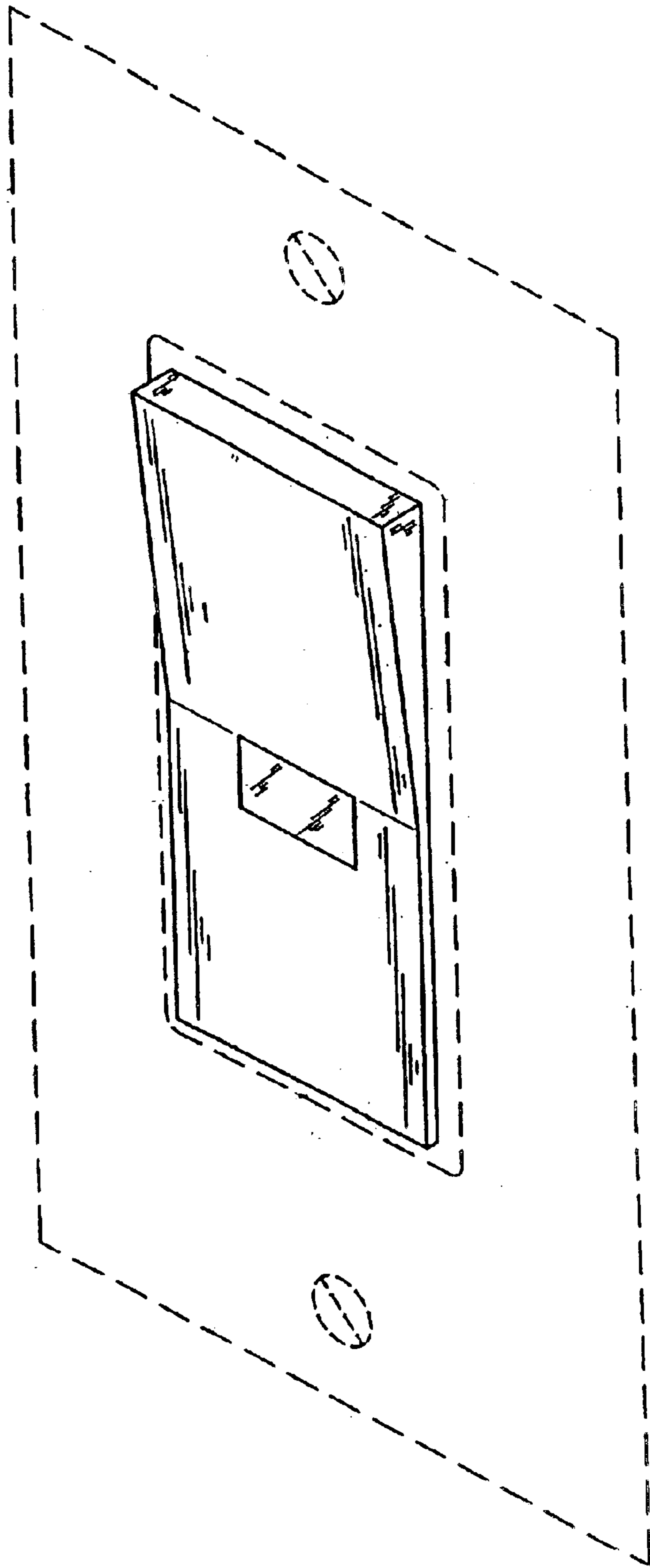


FIG. 6