

US00D505106S

(12) **United States Design Patent**
Kuseske et al.

(10) **Patent No.:** **US D505,106 S**

(45) **Date of Patent:** **** May 17, 2005**

(54) **CARRIER RACK**

(76) Inventors: **Gary Kuseske**, 39314 Priest St.,
Dowagiac, MI (US) 49047; **John J
Zepeda**, 205 Courtland St., Dowagiac,
MI (US) 49047

(**) **Term:** **14 Years**

(21) **Appl. No.:** **29/202,053**

(22) **Filed:** **Mar. 25, 2004**

(51) **LOC (7) Cl.** **12-16**

(52) **U.S. Cl.** **D12/406**

(58) **Field of Search** D12/406, 412-414.1,
D12/162; 280/495, 504, 415.1, 769, 491.2;
108/44; 296/26.05-26.09, 26.13; 224/525,
487, 529-530, 405, 499, 501, 506, 510,
521, 532, 536, 402, 526, 485, 497, 282,
519, 924

(56) **References Cited**

U.S. PATENT DOCUMENTS

D194,908 S	*	4/1963	Dombrosky	D12/412
D259,715 S	*	6/1981	Melilli	D12/406
D288,193 S	*	2/1987	Caron	D12/412
4,856,686 A		8/1989	Workentine	224/497
4,906,015 A		3/1990	LaCroix	280/415.1
D307,253 S	*	4/1990	Roberts et al.	D12/406
D327,043 S	*	6/1992	Ott et al.	D12/406
5,224,636 A		7/1993	Bounds	224/510
D352,925 S	*	11/1994	Eckhart	D12/406
D369,996 S	*	5/1996	Wylie	D12/162
D379,343 S	*	5/1997	Shaw et al.	D12/162

5,836,493 A		11/1998	Grunsted	224/519
D418,106 S	*	12/1999	Leitner et al.	D12/414
6,095,387 A		8/2000	Lipscomb	224/485
D458,878 S	*	6/2002	Greco	D12/162
6,428,031 B1		8/2002	McCoy	280/495
D463,358 S	*	9/2002	Thomas	D12/406
6,502,730 B2		1/2003	Johnson	224/519
6,626,340 B1		9/2003	Burgess	224/536
6,644,525 B1		11/2003	Allen	224/497
D484,453 S	*	12/2003	Harris	D12/406
6,662,983 B2		12/2003	Lane	224/405

* cited by examiner

Primary Examiner—Stacia Cadmus

(74) *Attorney, Agent, or Firm*—Leo H McCormick

(57) **CLAIM**

The ornamental design for a carrier rack, as shown and described.

DESCRIPTION

FIG. 1 is a first perspective view of a vehicle with a carrier rack showing our new design;

FIG. 2 is a second perspective view of the carrier rack of FIG. 1;

FIG. 3 is a top view of FIG. 2;

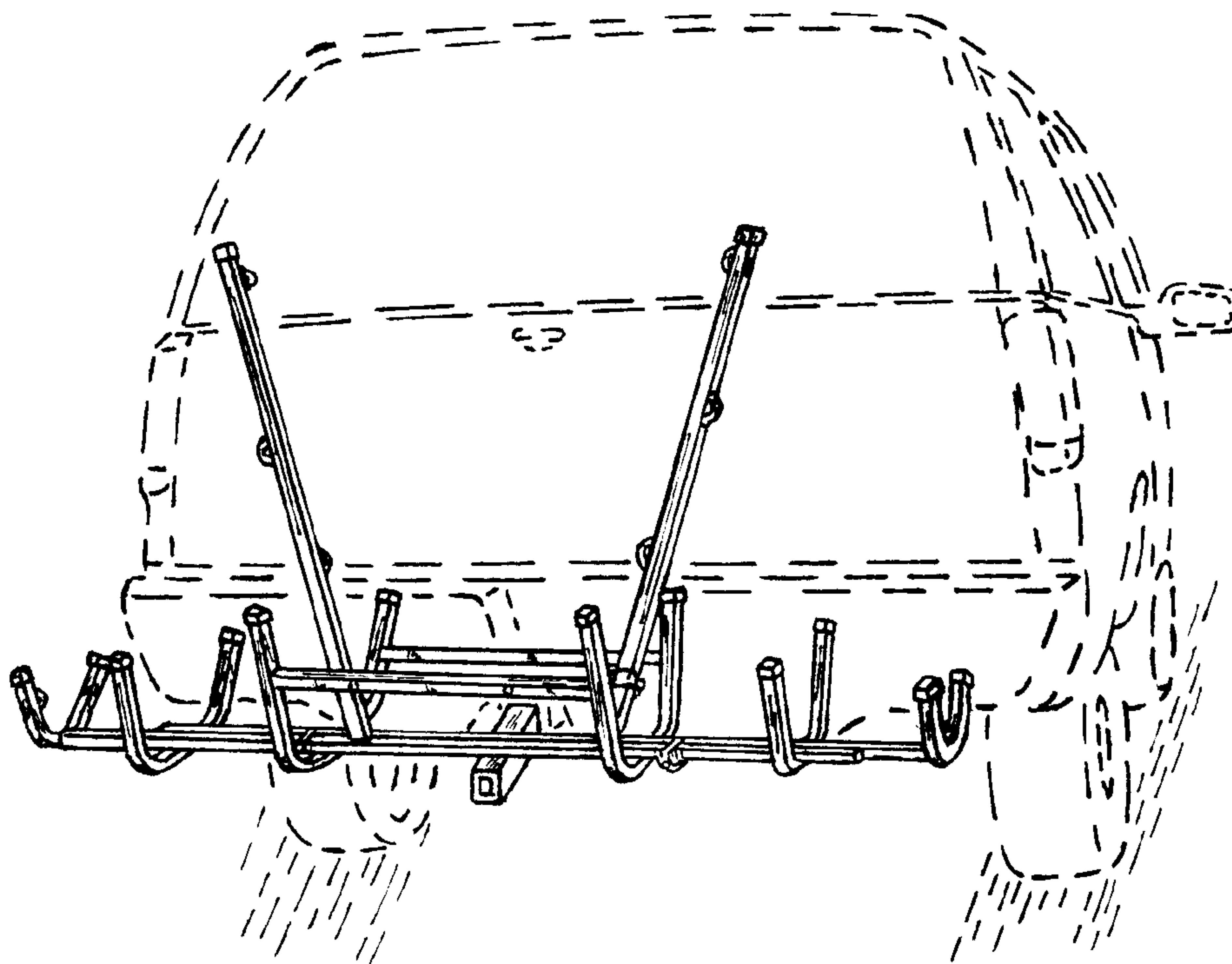
FIG. 4 is a front elevation view of FIG. 2;

FIG. 5 is a side elevation view of FIG. 2; and,

FIG. 6 is a bottom view of FIG. 2.

The vehicle as illustrated in FIG. 1 is included to illustrate an associated environment and forms no part of the claimed invention.

1 Claim, 3 Drawing Sheets



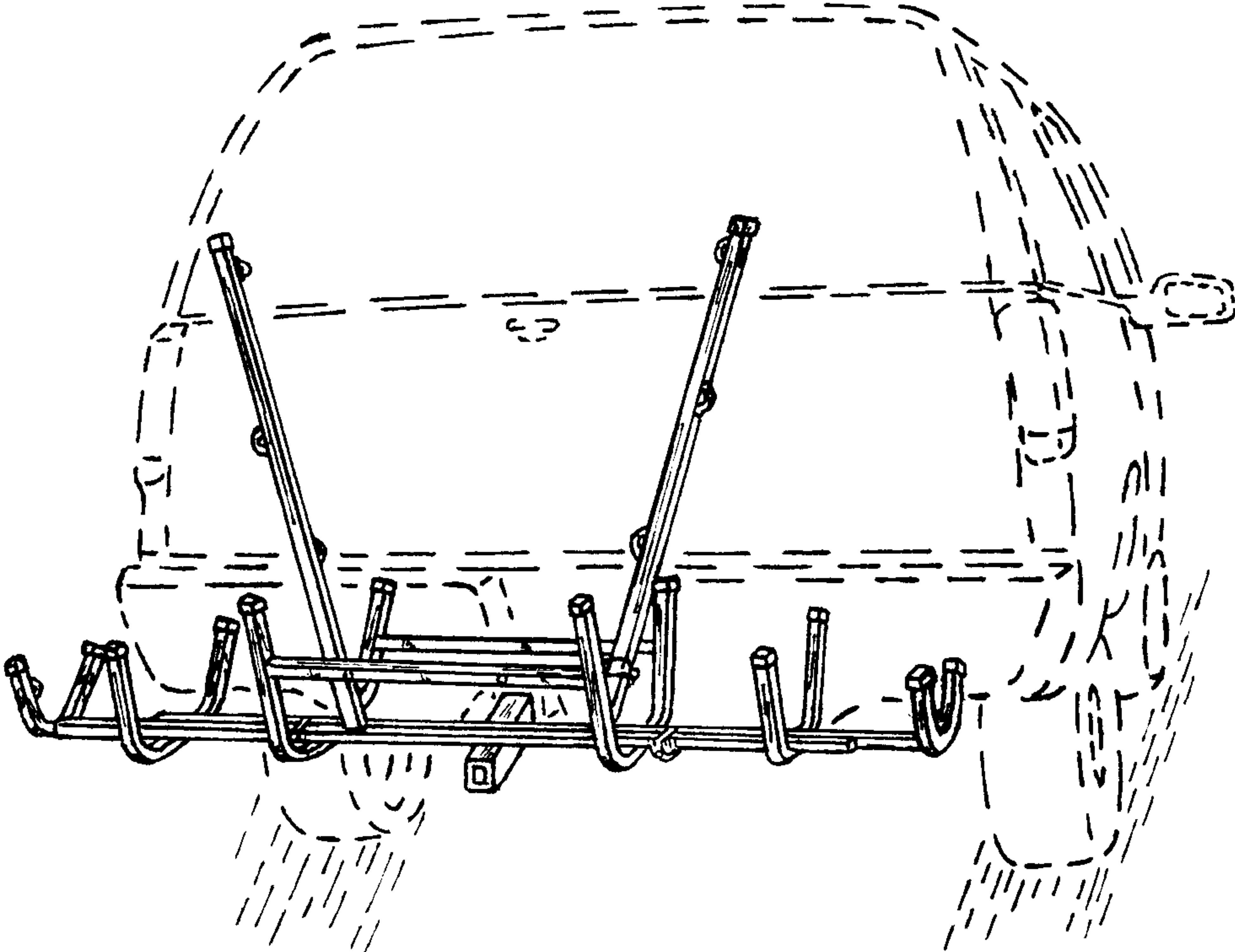


FIG. 1

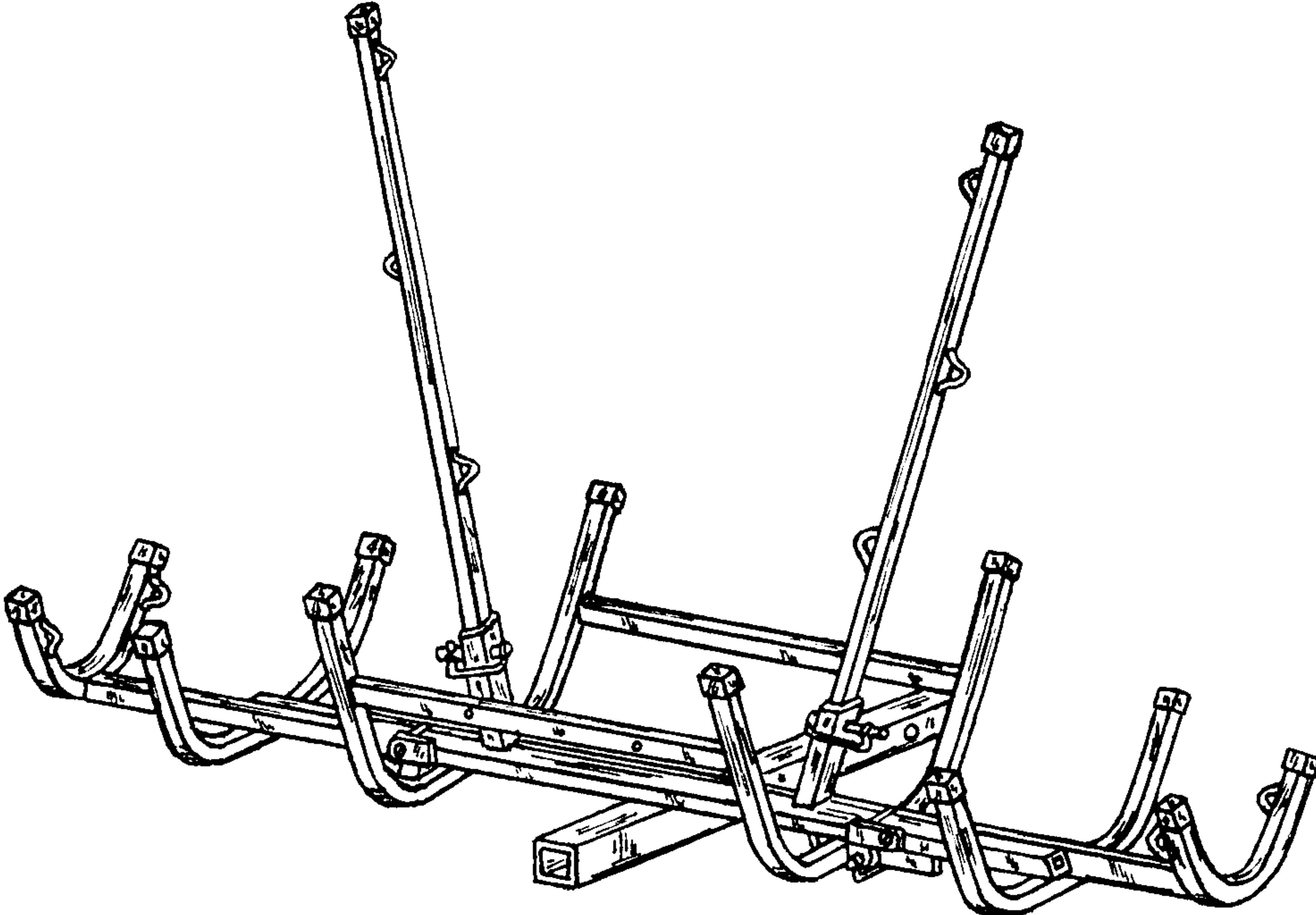


FIG. 2

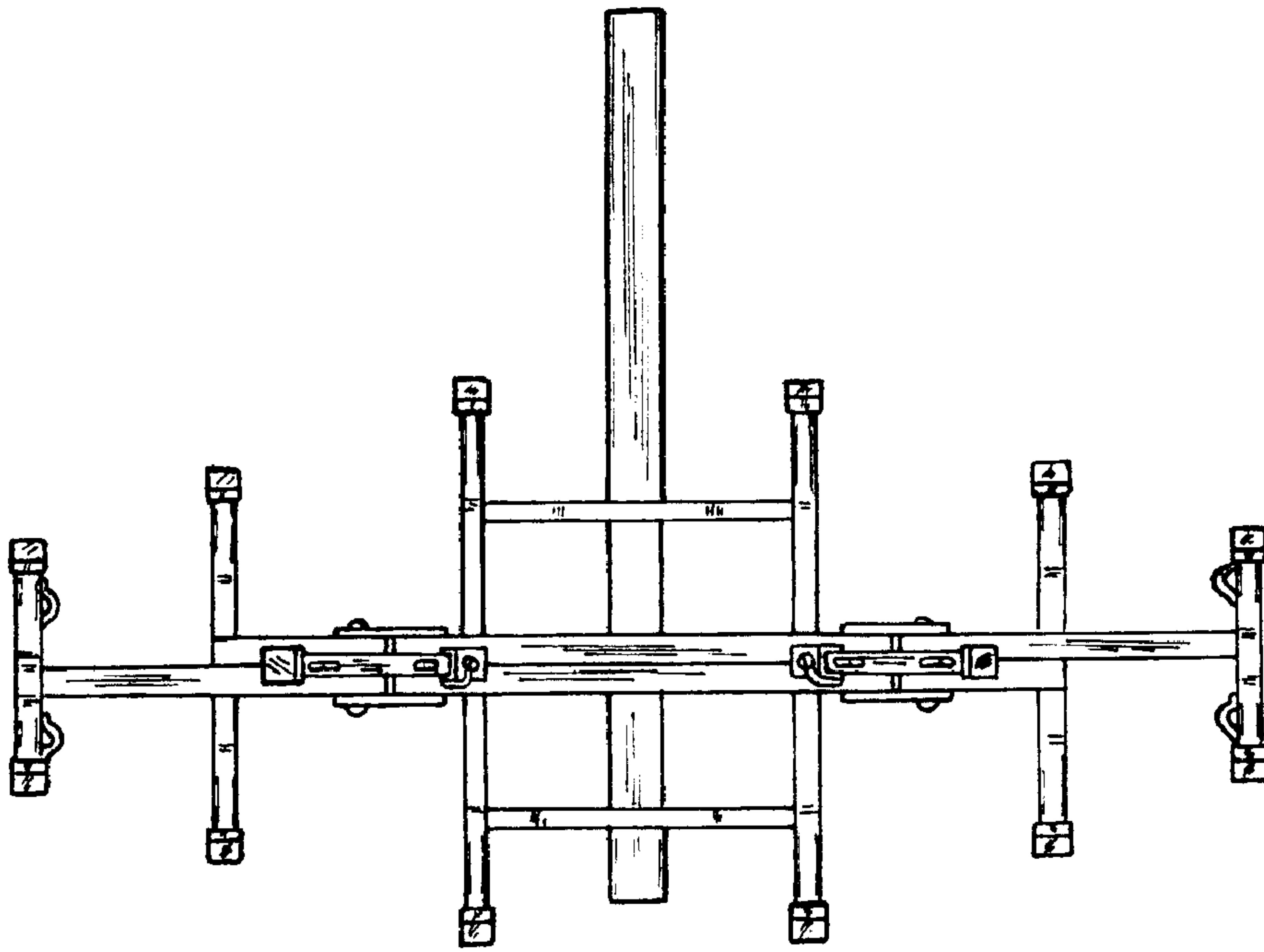


FIG. 3

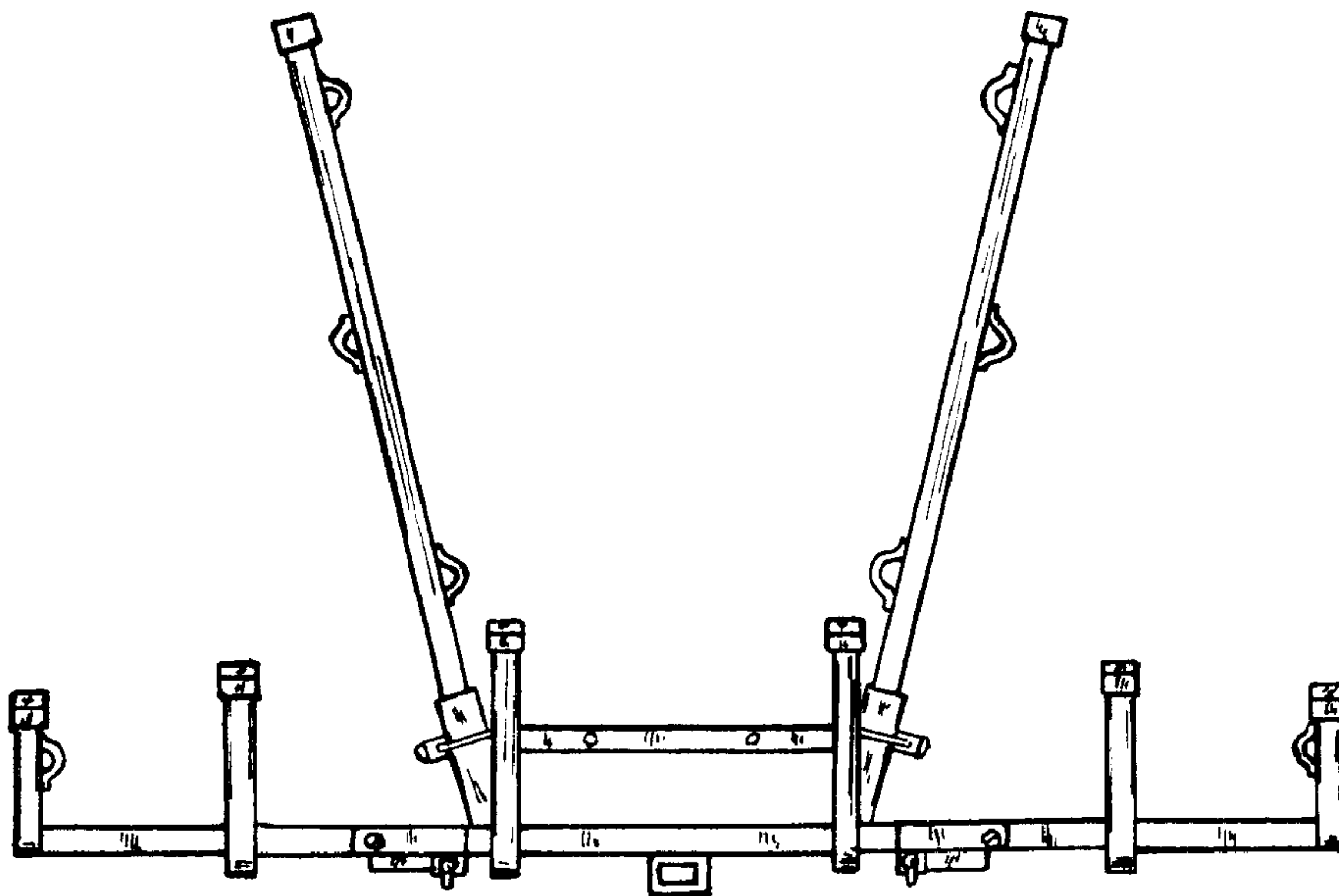


FIG. 4

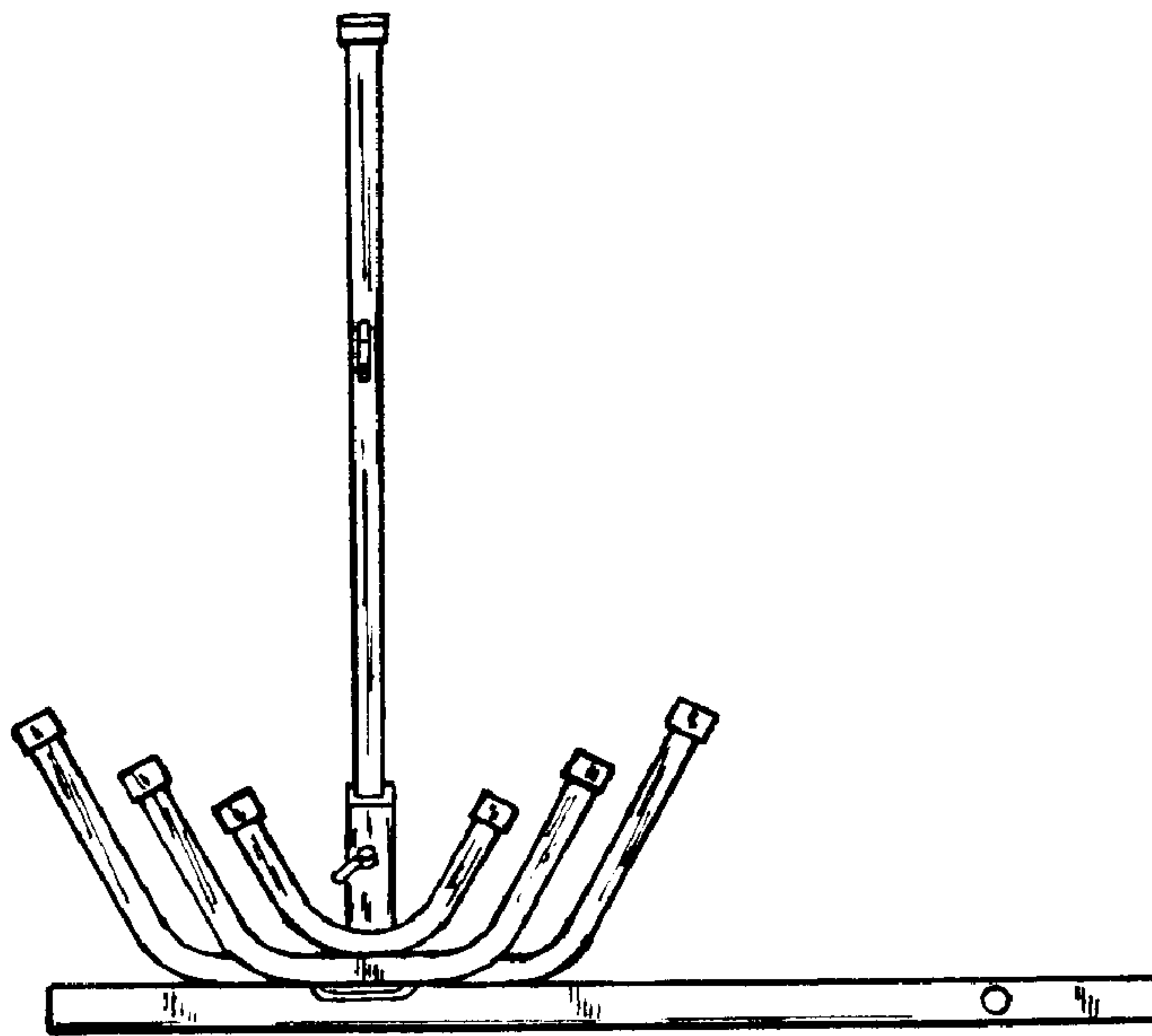


FIG. 5

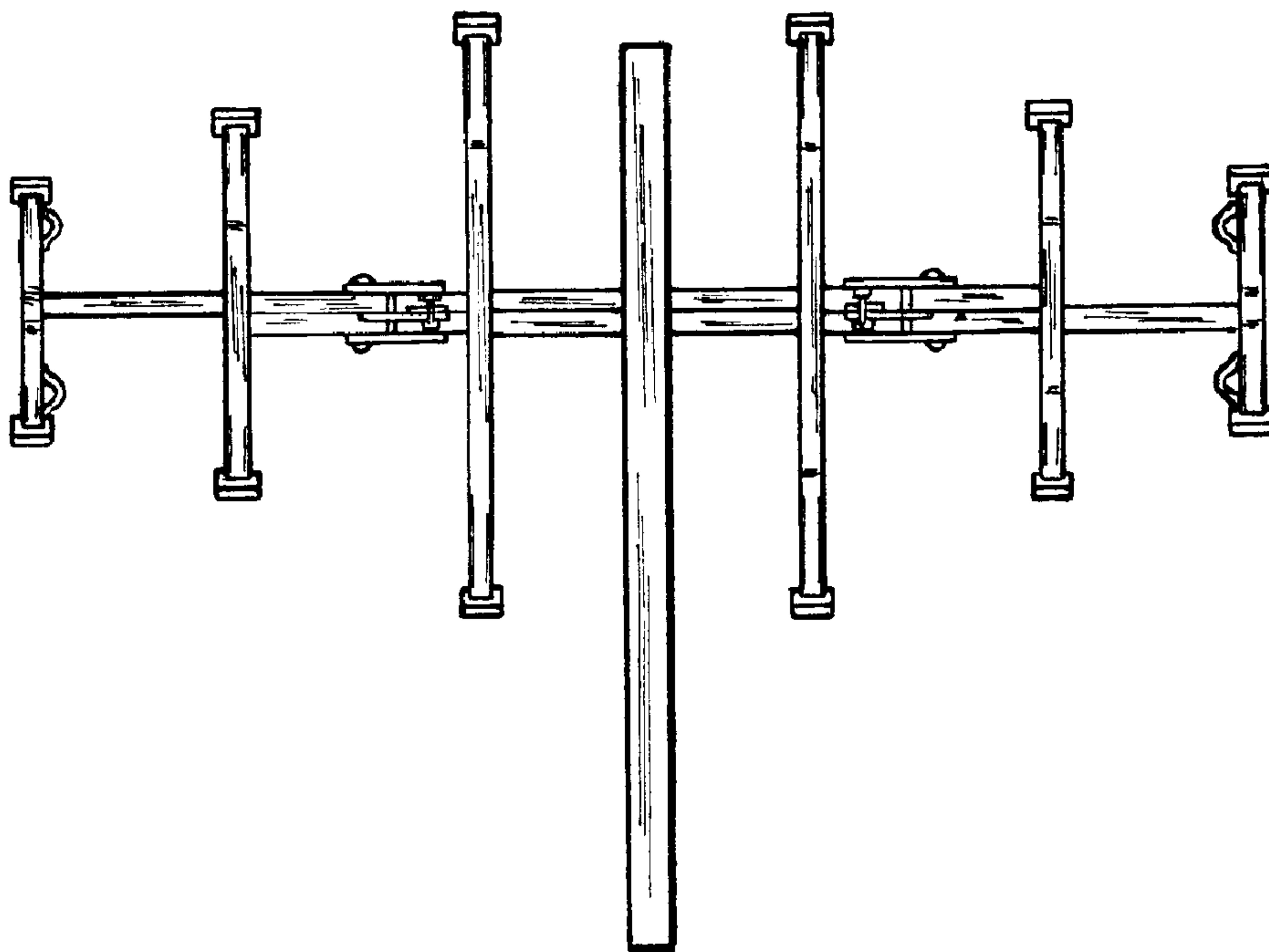


FIG. 6