

US00D505105S

(12) **United States Design Patent**
Rivellini et al.

(10) **Patent No.:** **US D505,105 S**

(45) **Date of Patent:** **** May 17, 2005**

(54) **SKYCRANE LANDING SYSTEM**

(56) **References Cited**

(75) Inventors: **Tommaso P. Rivellini**, Montrose, CA (US); **Dara Sabahi**, Los Angeles, CA (US); **Jeffrey W. Umland**, Pasadena, CA (US); **Adam D. Steltzner**, Altadena, CA (US); **Alejandro M. San Martin**, San Gabriel, CA (US); **William Layman**, Oxnard, CA (US); **Edward C. Wong**, Arcadia, CA (US); **Allen Chen**, Pasadena, CA (US); **Robert M. Manning**, Pasadena, CA (US); **Eric M. Slimko**, Pasadena, CA (US)

U.S. PATENT DOCUMENTS

4,697,767 A * 10/1987 Witten et al. D12/320
5,372,340 A * 12/1994 Ihara et al. 244/159

* cited by examiner

Primary Examiner—Marcus A. Jackson
(74) *Attorney, Agent, or Firm*—Christie, Parker & Hale, LLP

(73) Assignee: **California Institute of Technology**, Pasadena, CA (US)

(57) **CLAIM**

The ornamental design for skycrane landing system, as shown and described.

(**) Term: **14 Years**

DESCRIPTION

(21) Appl. No.: **29/195,691**

FIG. 1 is an isometric view of the skycrane landing system; FIG. 2 is a top plan view thereof; FIG. 3 is a front view thereof; FIG. 4 is a right side view thereof; FIG. 5 is a left side view thereof; and, FIG. 6 is a bottom plan view thereof.

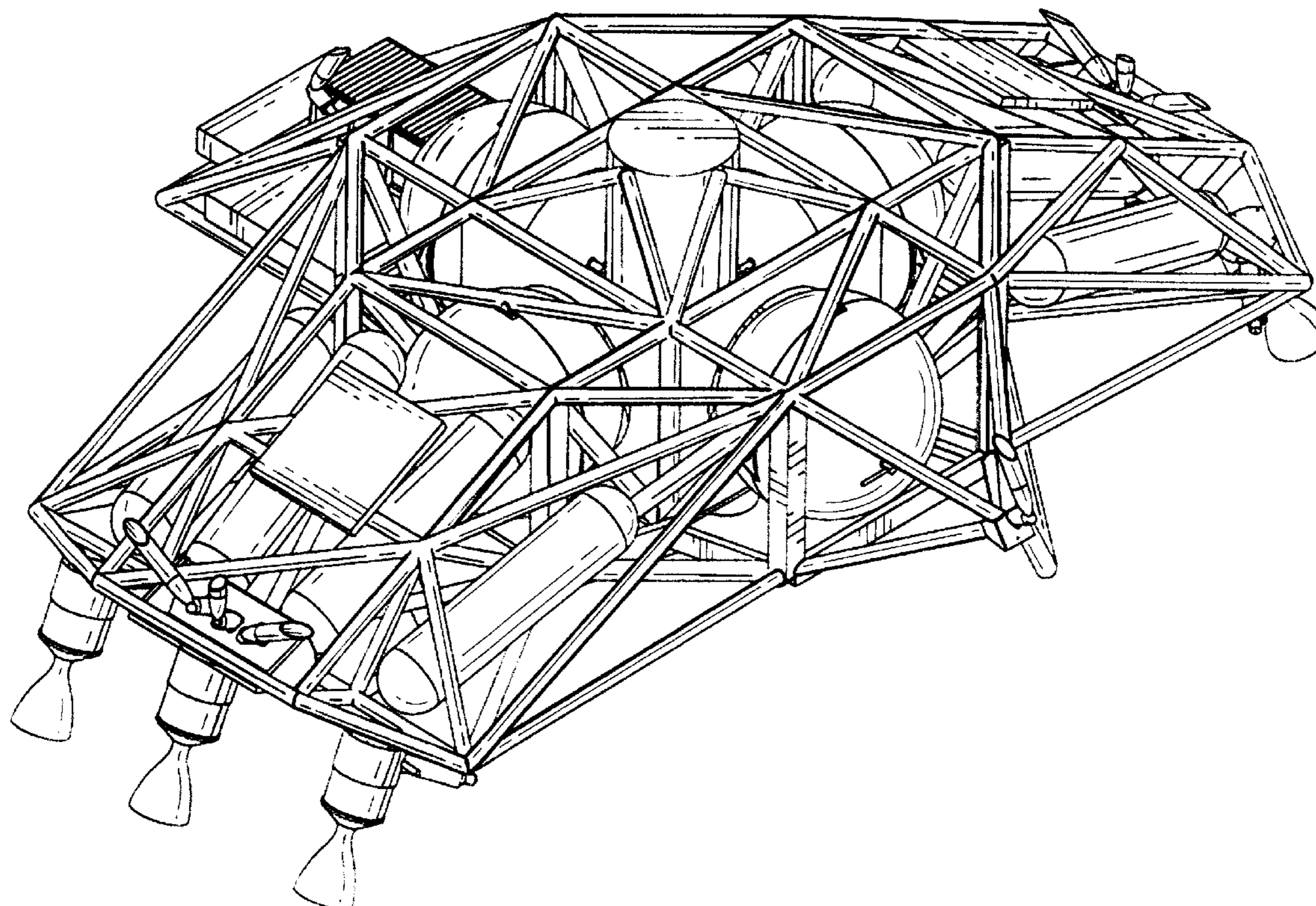
(22) Filed: **Dec. 16, 2003**

(51) **LOC (7) Cl.** **12-99**

(52) **U.S. Cl.** **D12/320**

(58) **Field of Search** D12/319-345;
244/158 R, 159, 160, 161, 162

1 Claim, 6 Drawing Sheets



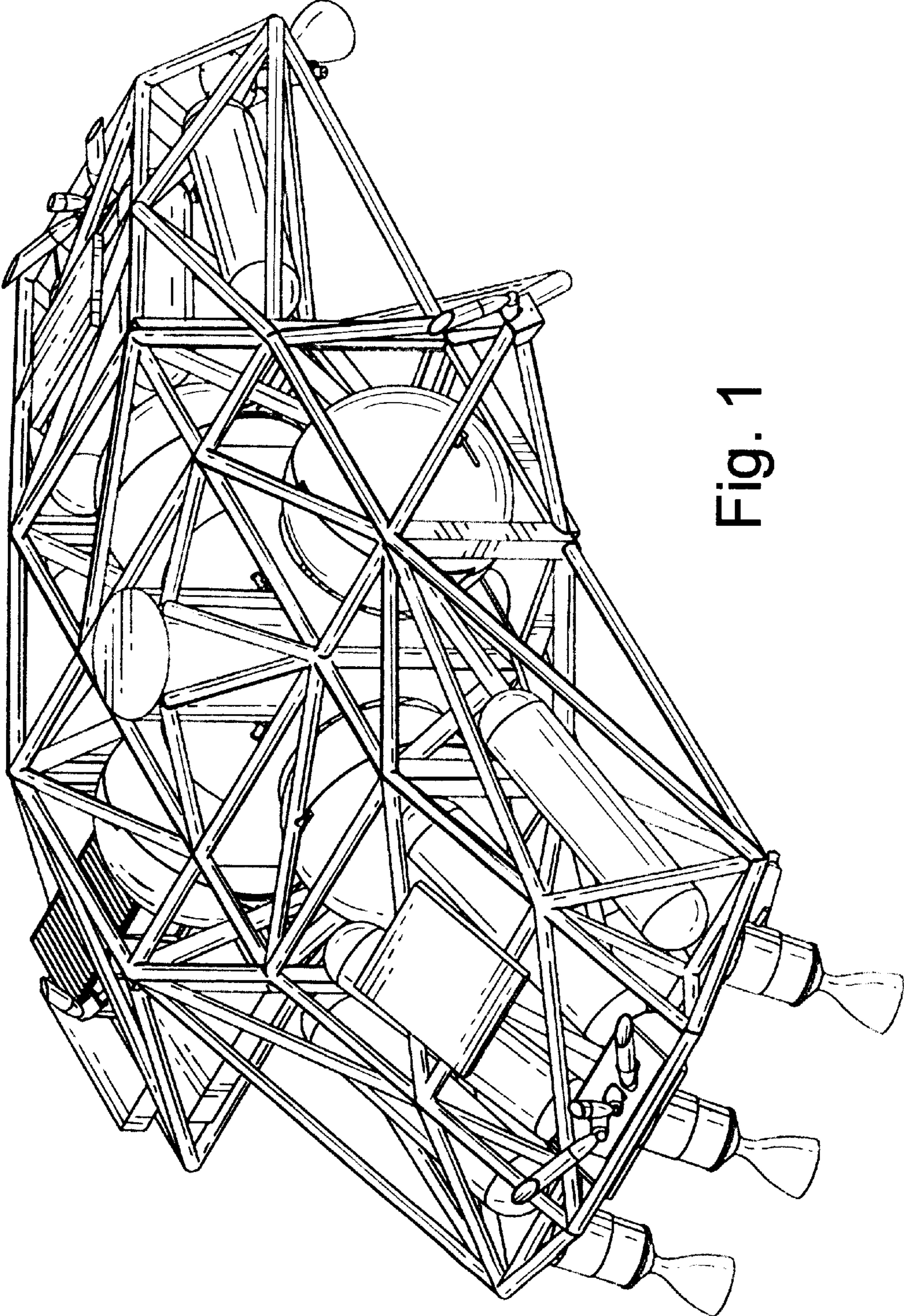


Fig. 1

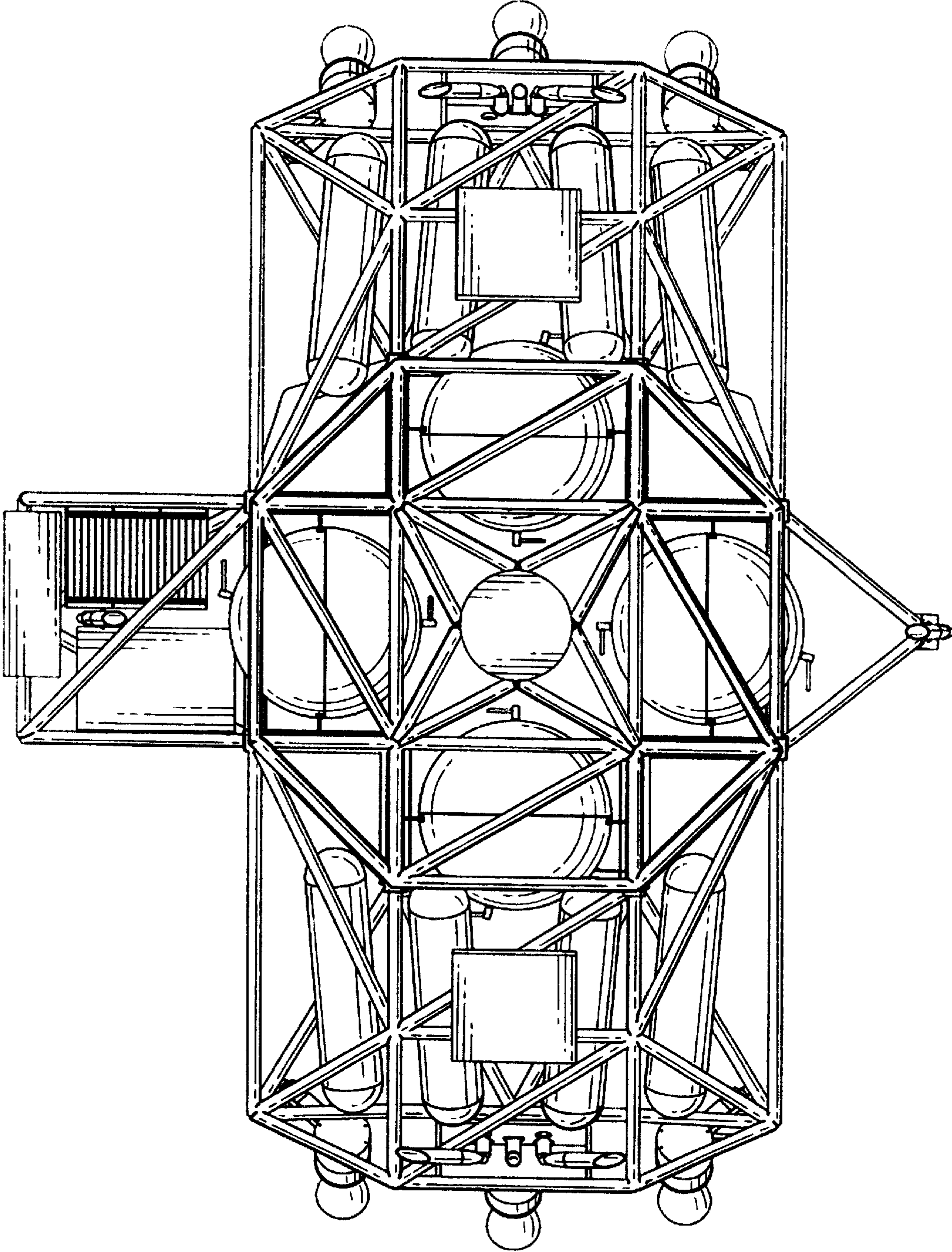


Fig. 2

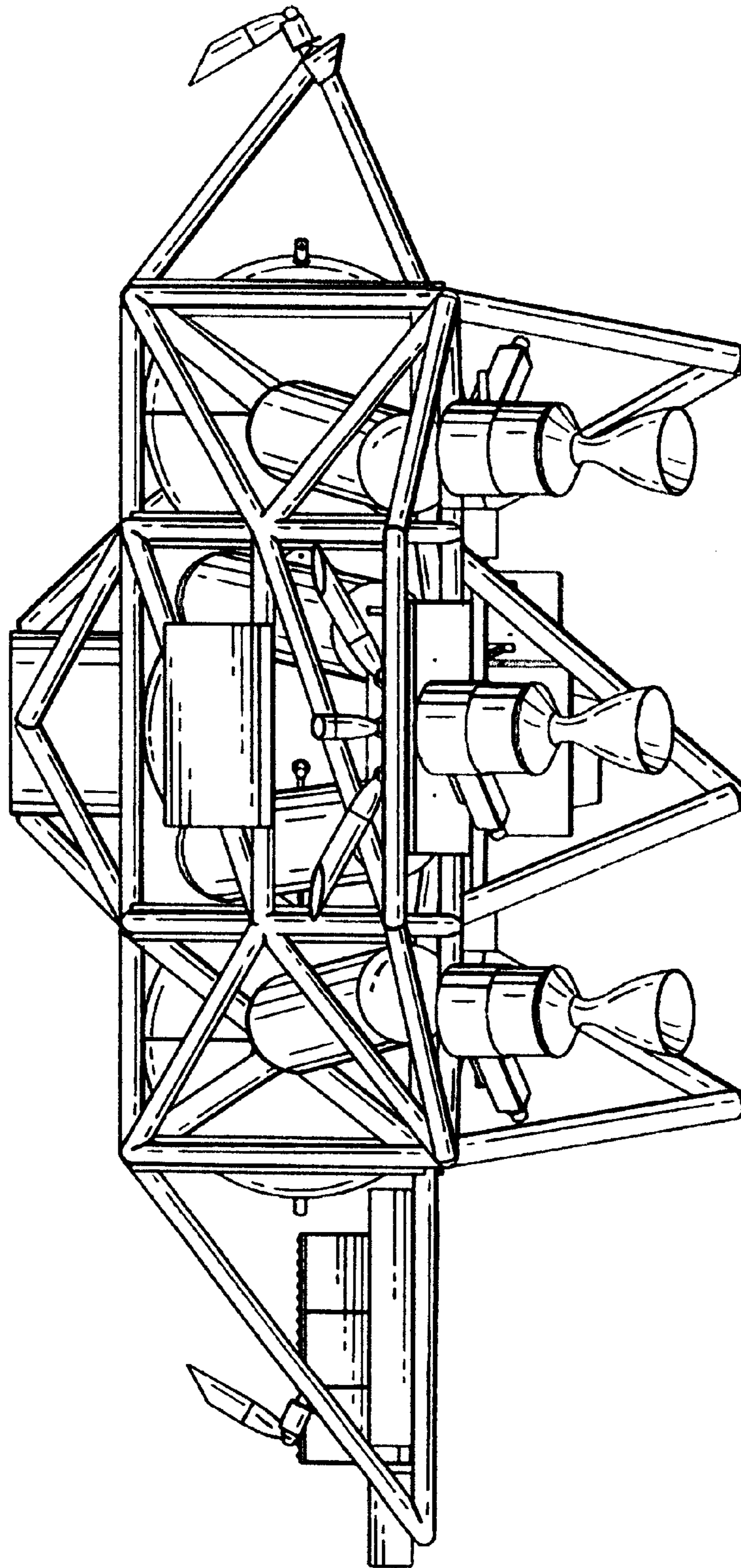


Fig. 3

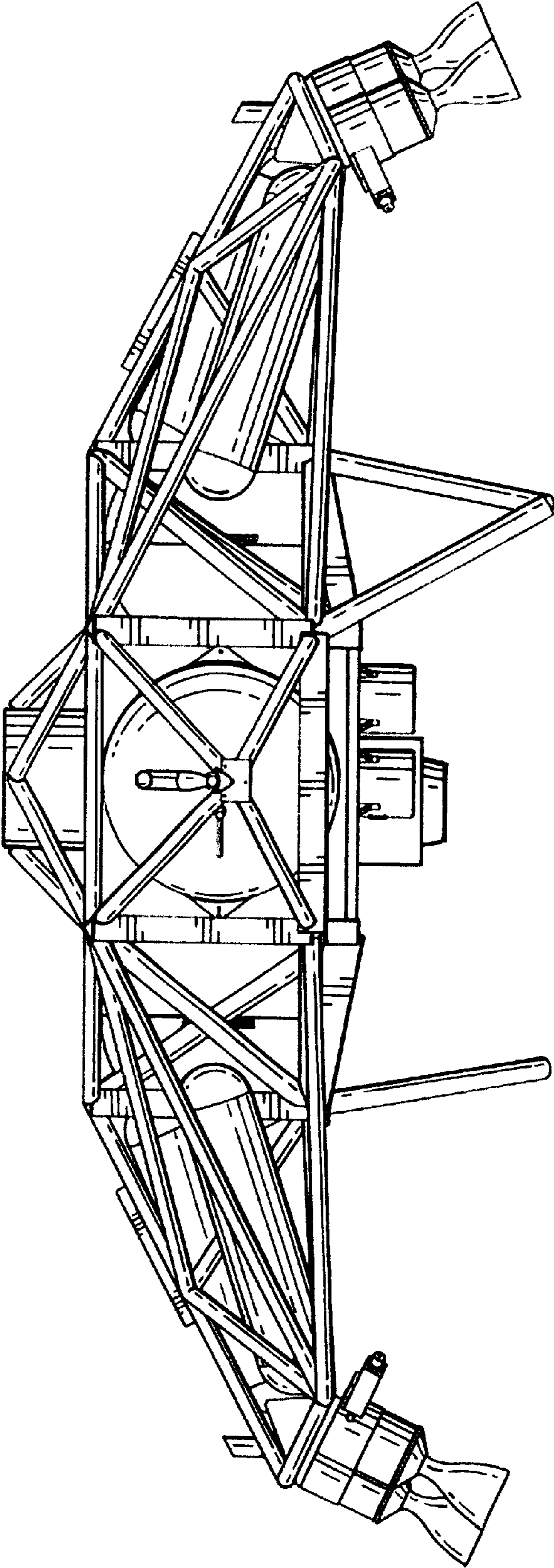


Fig. 4

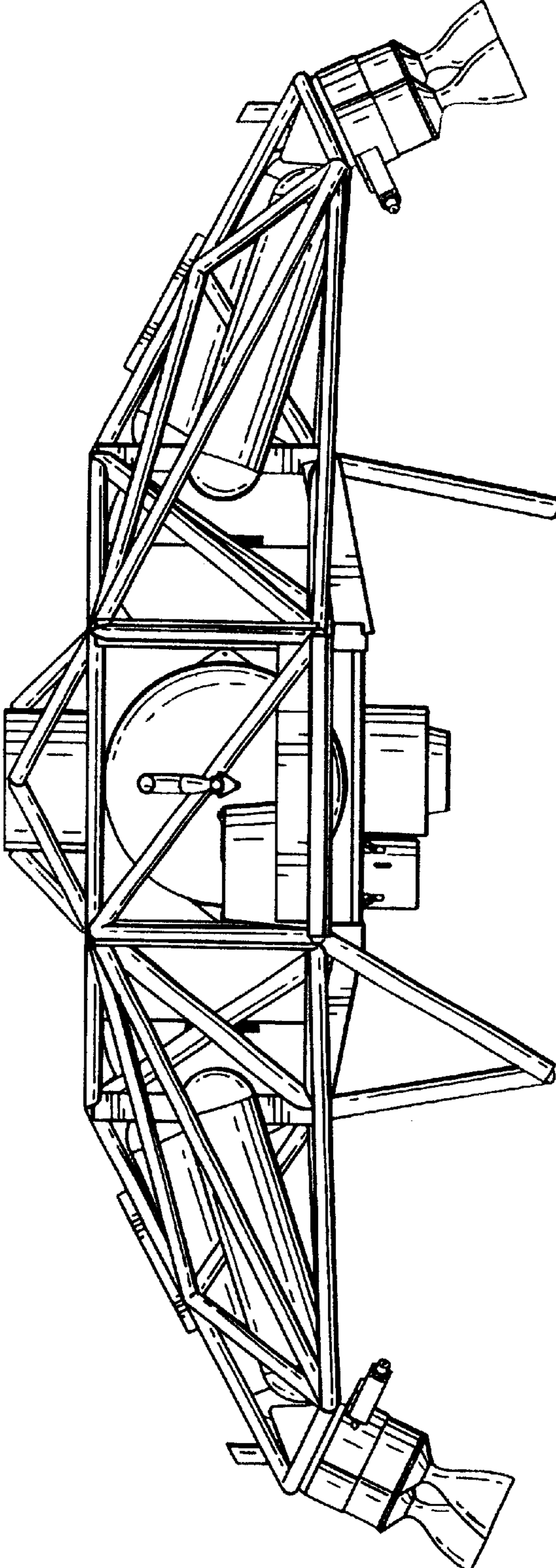


Fig. 5

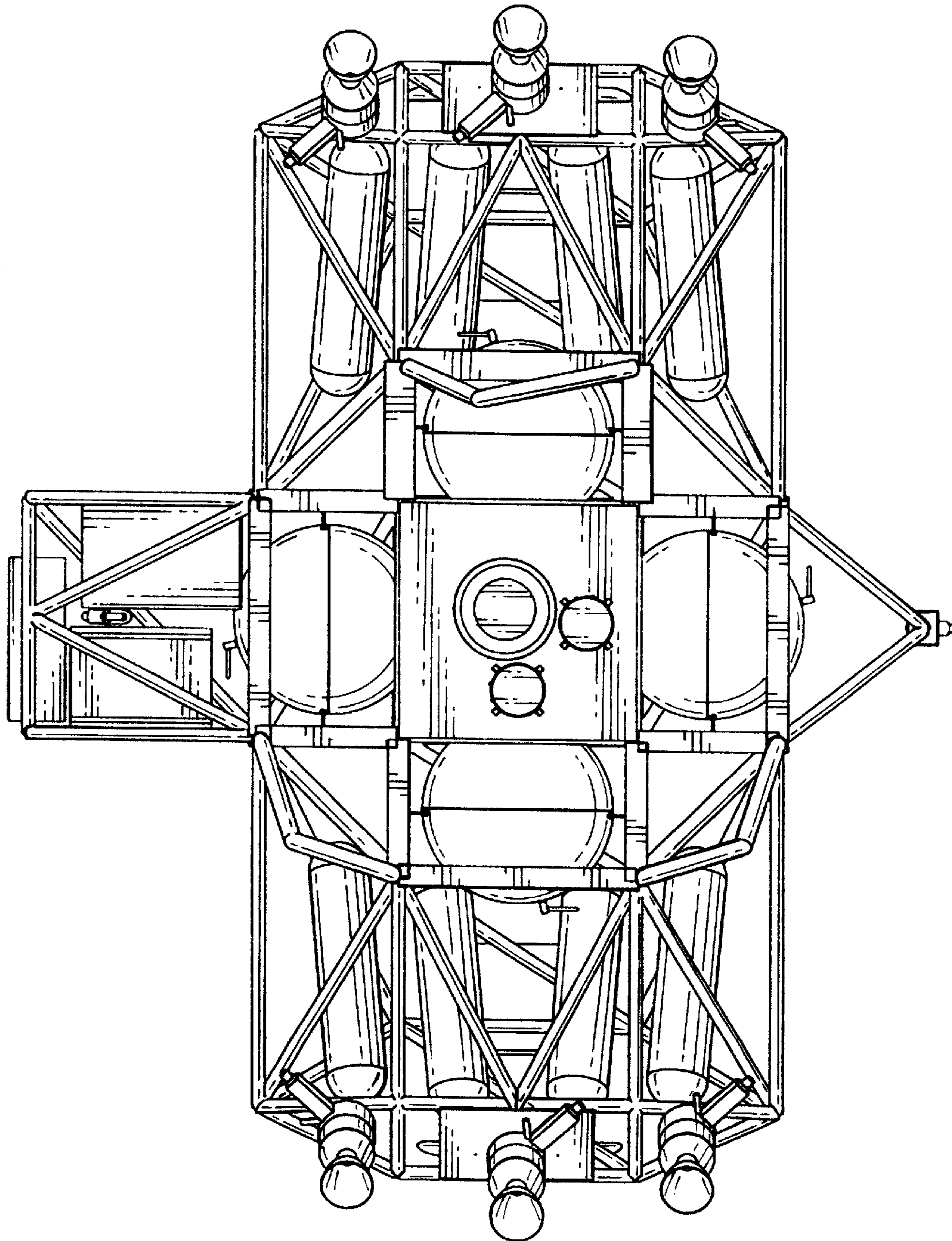


Fig. 6

UNITED STATES PATENT AND TRADEMARK OFFICE
CERTIFICATE OF CORRECTION

PATENT NO. : Des. 505,105 S
DATED : May 17, 2005
INVENTOR(S) : Rivellini et al.

Page 1 of 1

It is certified that error appears in the above-identified patent and that said Letters Patent is hereby corrected as shown below:

Title page.

Item [57], **DESCRIPTION**,

Line 5, delete "and," insert -- and --.

Line 7, insert -- STATEMENT REGARDING FEDERALLY SPONSORED
RESEARCH OR DEVELOPMENT

The invention described herein was made in the performance of work under a NASA contract, and is subject to the provisions of Public Law 96-517 (35 USC 202) in which the Contractor has elected to retain title. --.

Signed and Sealed this

Thirteenth Day of December, 2005

A handwritten signature in black ink that reads "Jon W. Dudas". The signature is written in a cursive style with a large, stylized initial "J".

JON W. DUDAS

Director of the United States Patent and Trademark Office