

US00D505104S

(12) **United States Design Patent**
Osumi et al.

(10) **Patent No.: US D505,104 S**
(45) **Date of Patent: ** May 17, 2005**

(54) **UNDERWATER VEHICLE**
(75) Inventors: **Masayuki Osumi**, Saitama (JP); **Keiji Iino**, Saitama (JP); **Hiroshi Sueshige**, Saitama (JP); **Yoshihiro Iijima**, Saitama (JP)

(73) Assignee: **Honda Motor Co., Ltd.**, Tokyo (JP)

(**) Term: **14 Years**

(21) Appl. No.: **29/206,954**

(22) Filed: **Jun. 8, 2004**

(30) **Foreign Application Priority Data**

Dec. 24, 2003 (JP) 2003-037892

(51) **LOC (7) Cl.** **12-06**

(52) **U.S. Cl.** **D12/308**

(58) **Field of Search** D12/300-318;
D21/545; 114/312, 314, 315, 322, 331,
332, 337

(56) **References Cited**

U.S. PATENT DOCUMENTS

4,624,207 A * 11/1986 King 114/315
D291,299 S * 8/1987 Hawkes D12/308
4,813,367 A * 3/1989 Stevenson 114/315
4,996,938 A * 3/1991 Cameron et al. 114/315
5,235,930 A * 8/1993 Pendleton 114/312

5,490,473 A * 2/1996 Chace et al. 114/330
5,619,948 A * 4/1997 Keyvani 114/315
5,704,309 A * 1/1998 Kohnen 114/312
6,665,789 B1 * 12/2003 Stecker, Sr. 114/315
2004/0065247 A1 * 4/2004 Horton 114/322

* cited by examiner

Primary Examiner—Alan P. Douglas
Assistant Examiner—Cynthia M. Chin

(74) *Attorney, Agent, or Firm*—Westerman, Hattori,
Daniels & Adrian, LLP

(57) **CLAIM**

The ornamental design for, underwater vehicle, as shown and described.

DESCRIPTION

FIG. 1 is a right side elevation view of underwater vehicle, showing our new design;
FIG. 2 is a left side elevation view thereof;
FIG. 3 is a top plan view thereof;
FIG. 4 is a bottom plan view thereof;
FIG. 5 is a front elevation view thereof;
FIG. 6 is a rear elevation view thereof; and,
FIG. 7 is a perspective view thereof.

1 Claim, 5 Drawing Sheets

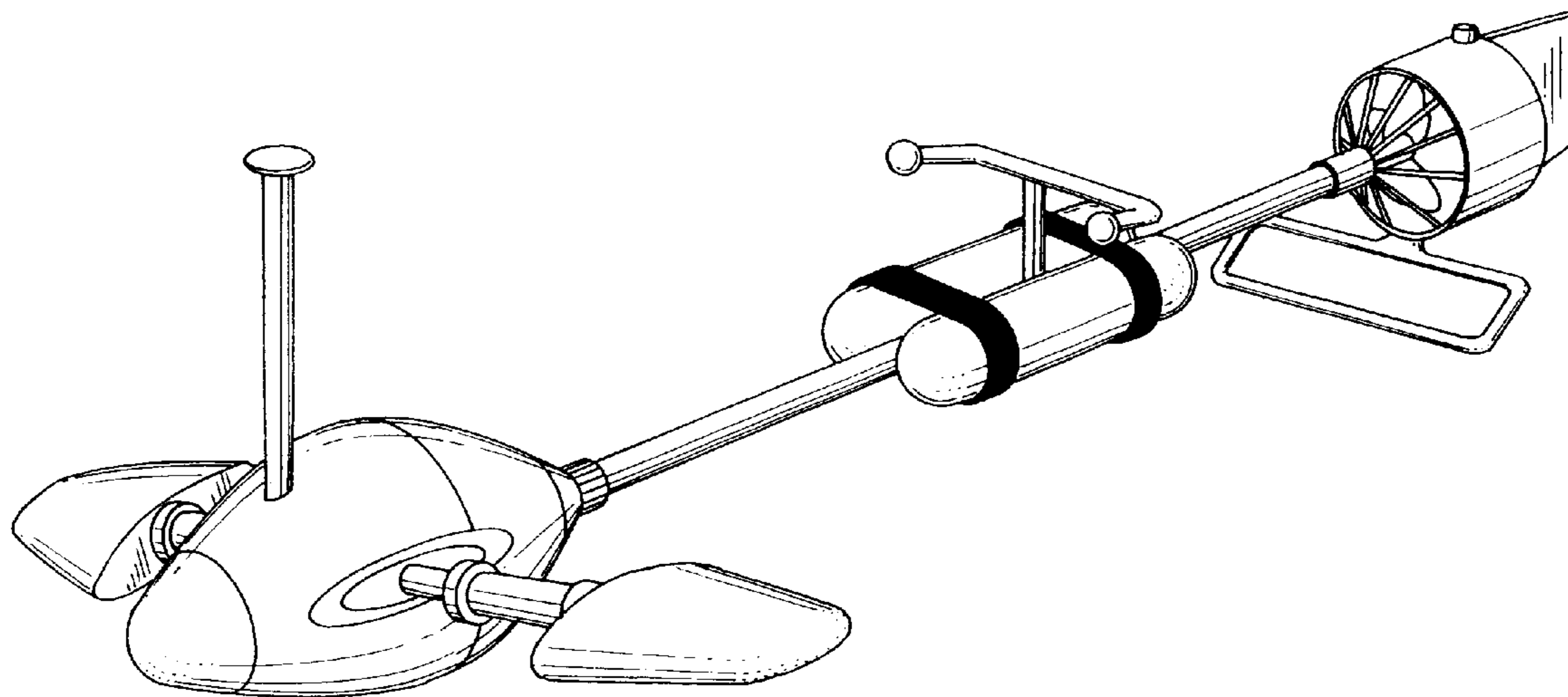


FIG. 1

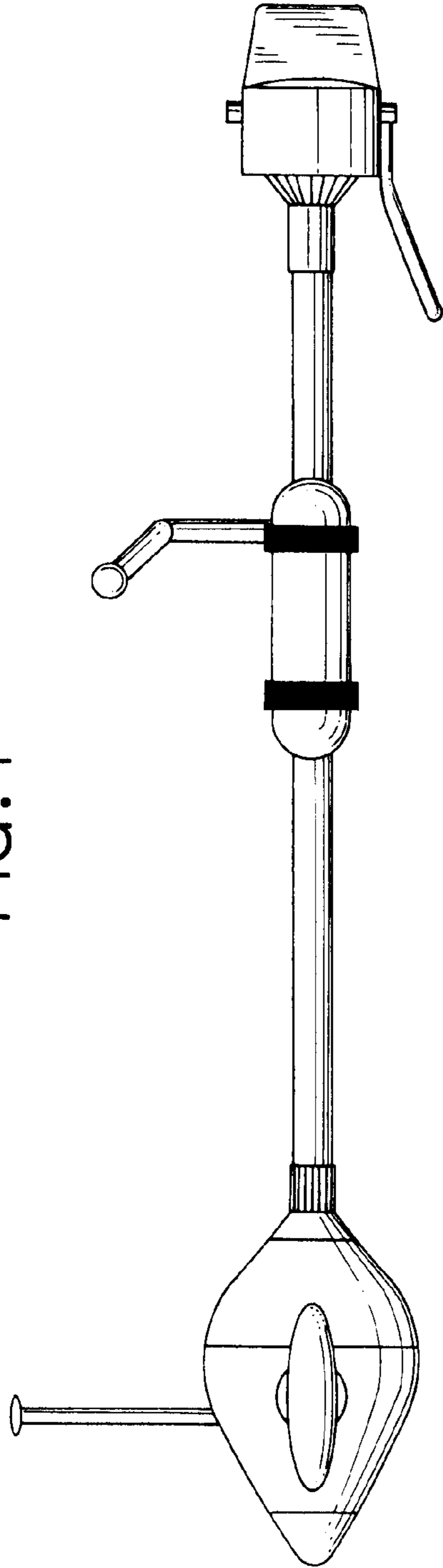
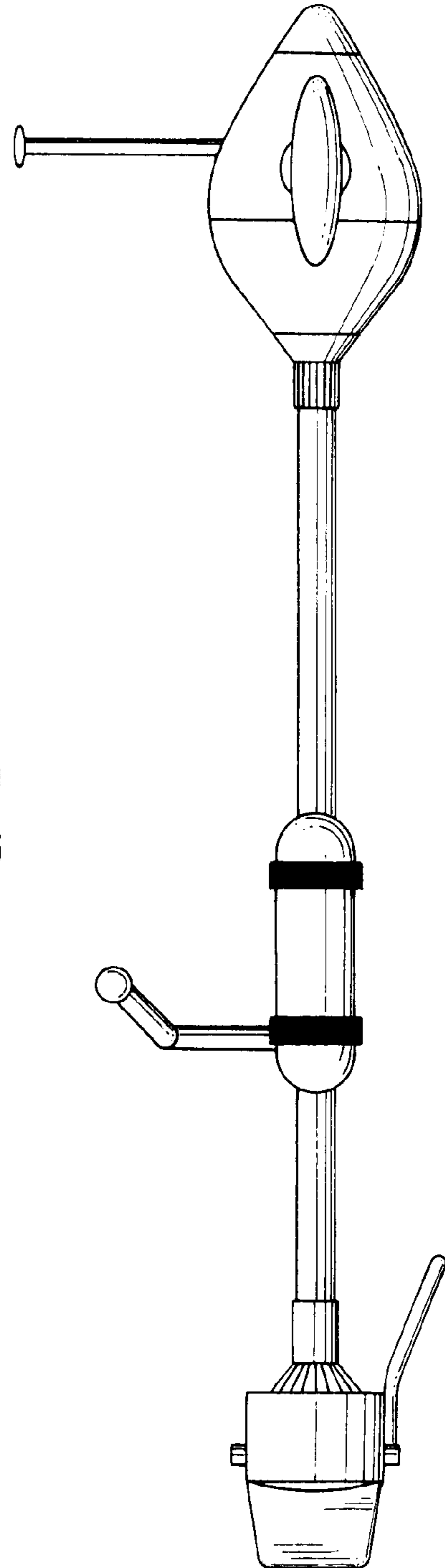


FIG. 2



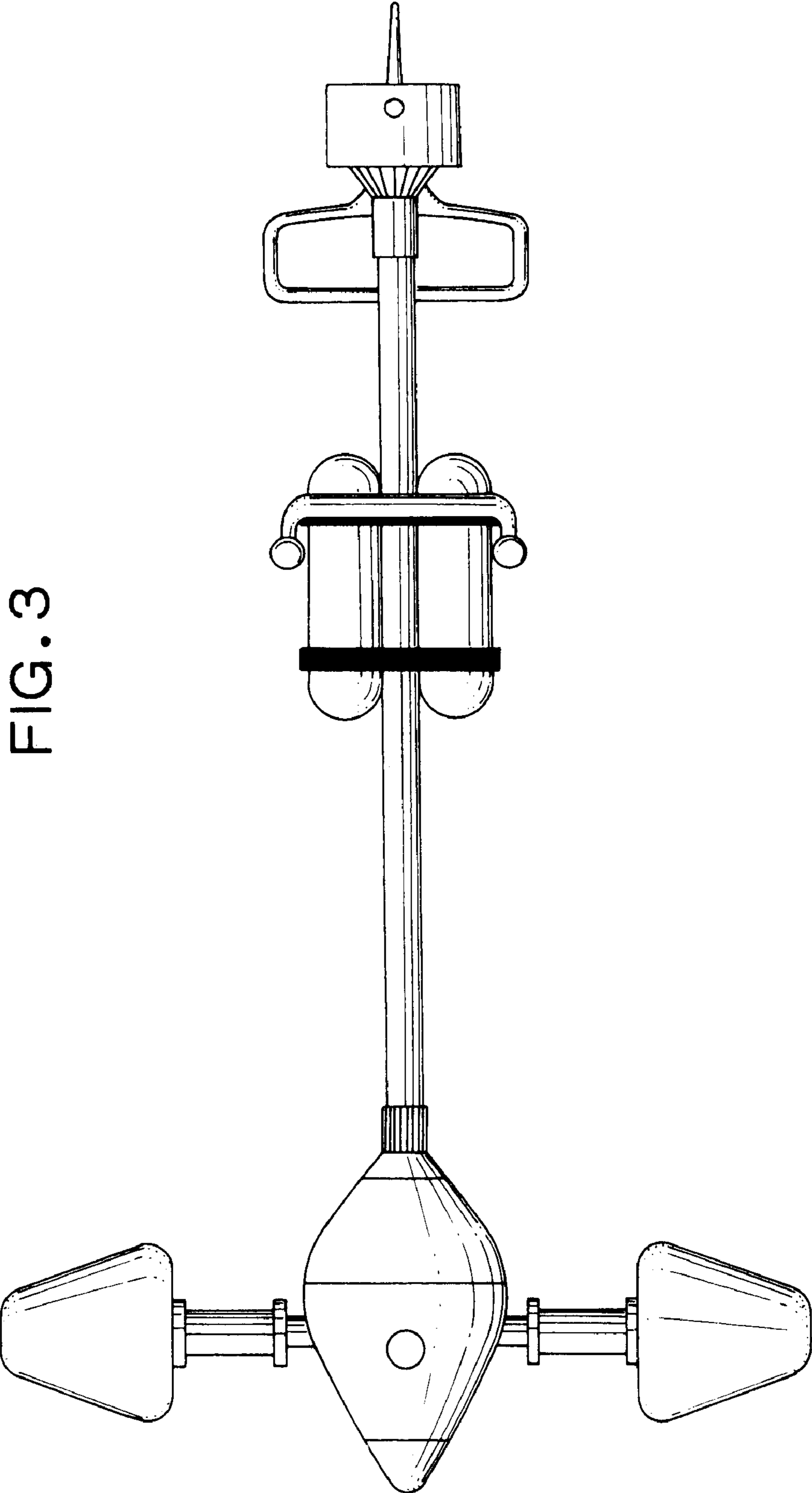


FIG. 3

FIG. 4

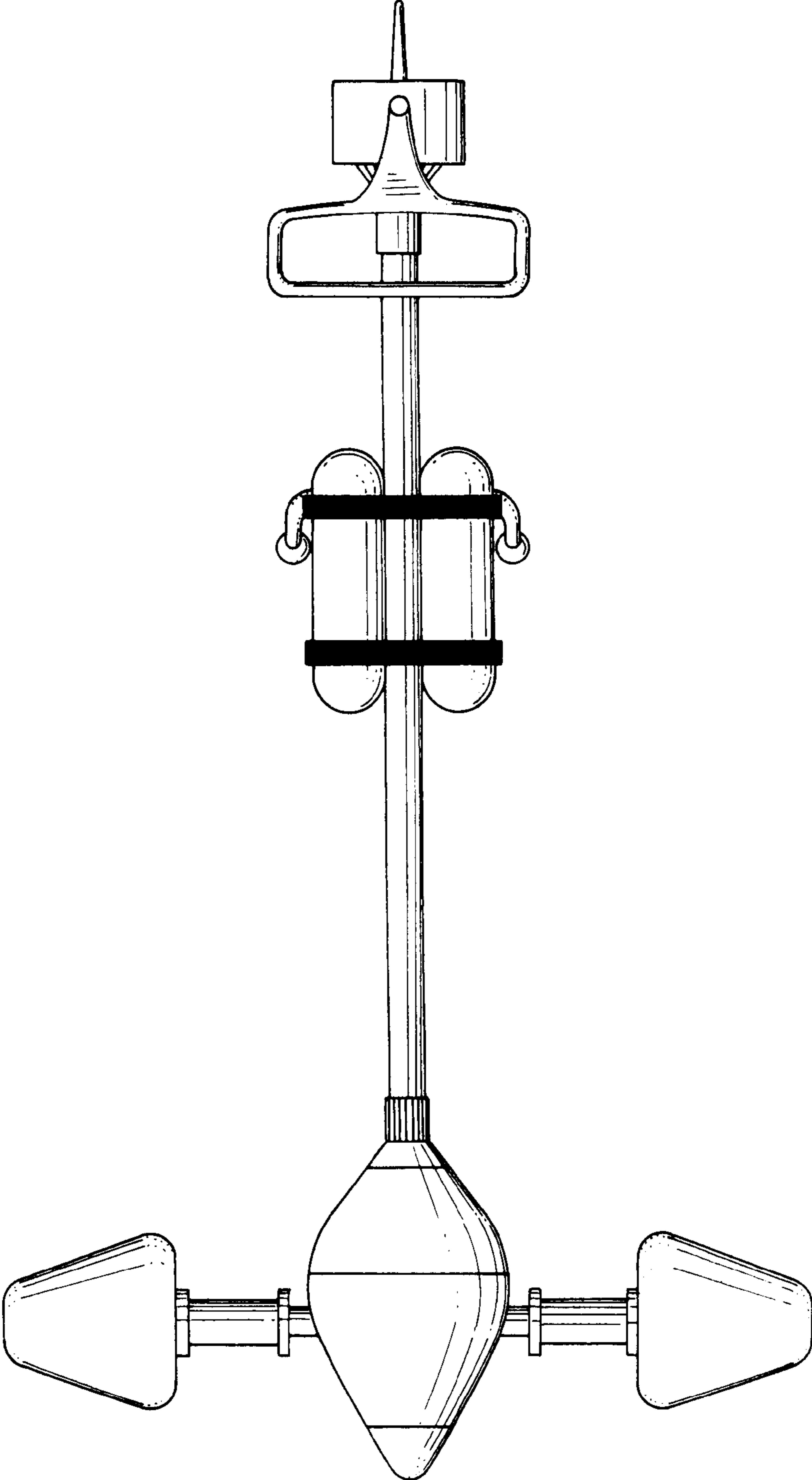


FIG. 5

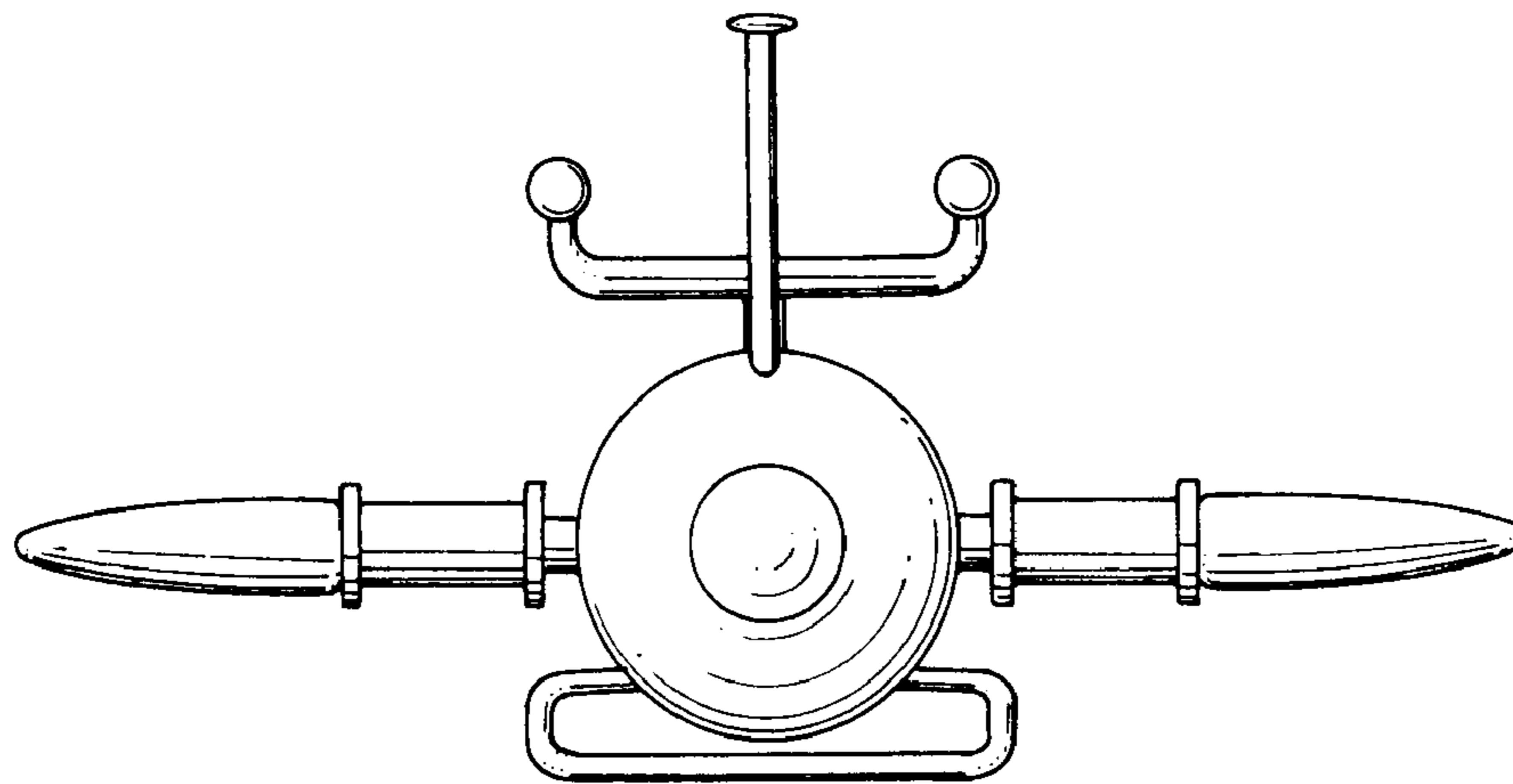


FIG. 6

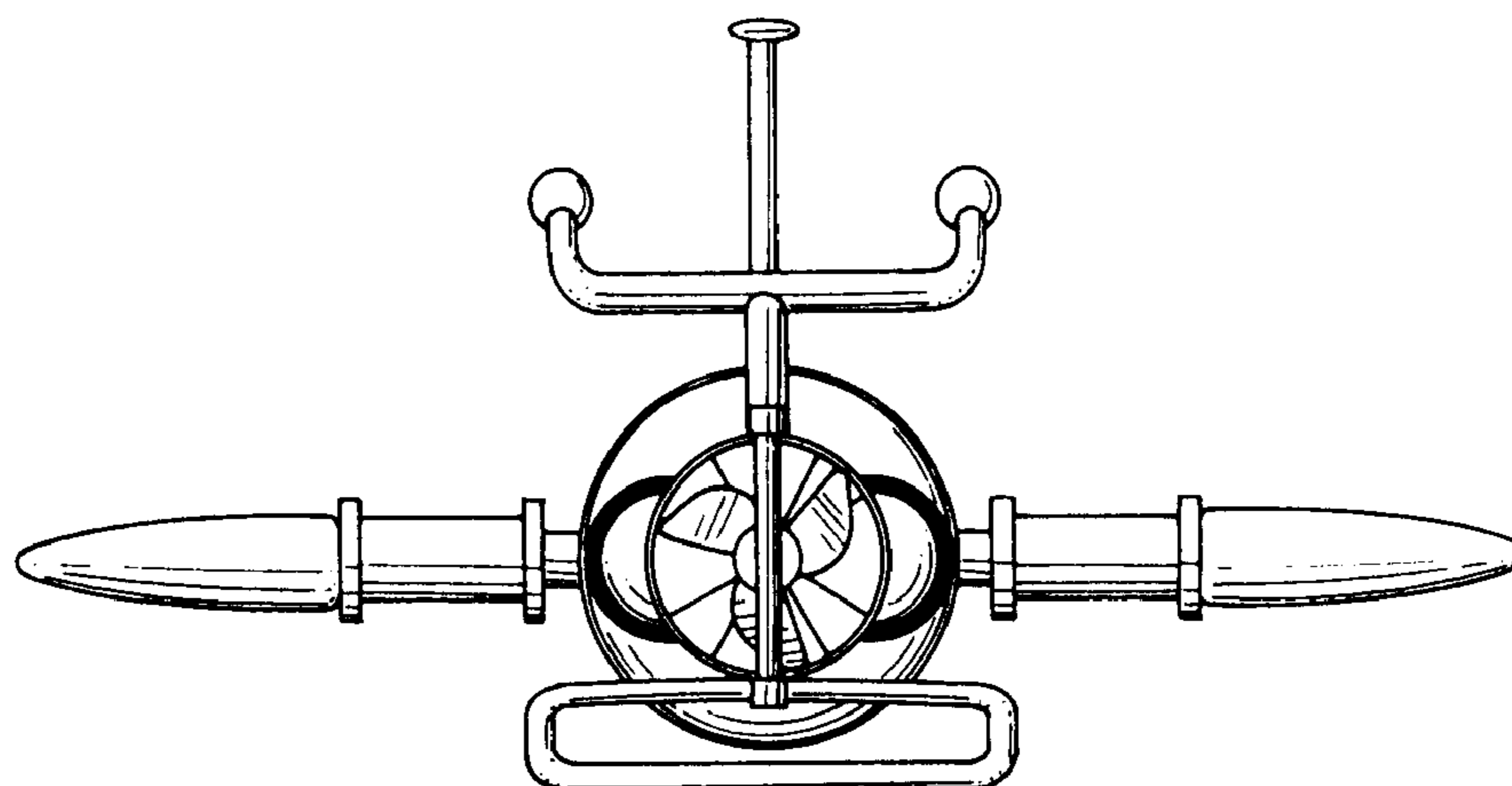


FIG. 7

