

US00D505103S

(12) **United States Design Patent**
Bentley

(10) **Patent No.:** **US D505,103 S**

(45) **Date of Patent:** **** May 17, 2005**

(54) **AIRPLANE TIRE FIN**

(76) **Inventor:** **James Bentley**, 7014 Ramoth Dr.,
Jacksonville, FL (US) 32226

(**) **Term:** **14 Years**

(21) **Appl. No.:** **29/165,533**

(22) **Filed:** **Aug. 12, 2002**

(51) **LOC (7) Cl.** **12-16**

(52) **U.S. Cl.** **D12/213; D12/604**

(58) **Field of Search** D12/206, 208,
D12/209, 213, 400, 500, 501, 604, 605;
152/523, 524, 209.16, DIG. 12; 244/103 S

(56) **References Cited**

U.S. PATENT DOCUMENTS

1,522,448 A	1/1925	Harig	152/209
1,833,019 A	11/1931	Faucher et al.	D12/134
1,834,427 A	12/1931	Schumacher	244/103
2,143,950 A	1/1939	Kliesrath	244/103
2,184,927 A	12/1939	Kraft	D12/134
2,197,662 A	4/1940	Hughes	D12/134
2,239,070 A	4/1941	Work et al.	D12/134
2,265,543 A	12/1941	Overman	D12/134
2,303,164 A	11/1942	Hawkinson	D12/134
2,305,237 A	12/1942	Carpenter	244/103
D146,486 S *	3/1947	Peterson	D12/605
2,418,064 A	3/1947	Austin	244/103
2,421,156 A	5/1947	Morrow	244/103
2,457,897 A *	1/1949	Hull et al.	244/103 S
2,457,899 A	1/1949	Hursh	244/103
2,934,124 A	4/1960	Mihlsten	D12/152
2,960,138 A	11/1960	Chiodo	D12/134
3,233,849 A *	2/1966	Rubin	244/103 S
3,734,566 A	5/1973	Hanley	D12/134

4,040,582 A *	8/1977	Krauss	244/103 S
D283,885 S *	5/1986	Kim	D12/605
4,615,498 A *	10/1986	Ochiai	244/103 S
5,259,431 A	11/1993	Housiaux	152/523
D373,337 S *	9/1996	Hunt	D12/501
D373,343 S *	9/1996	Malkowski et al.	D12/213
D406,093 S *	2/1999	Wissen	D12/213
D441,698 S *	5/2001	Pate	D12/533

FOREIGN PATENT DOCUMENTS

DE	3416416	7/1985	244/103
GB	2080217	2/1982	244/103

* cited by examiner

Primary Examiner—Robert M. Spear

(74) *Attorney, Agent, or Firm*—Lawrence J. Gibney, Jr.

(57) **CLAIM**

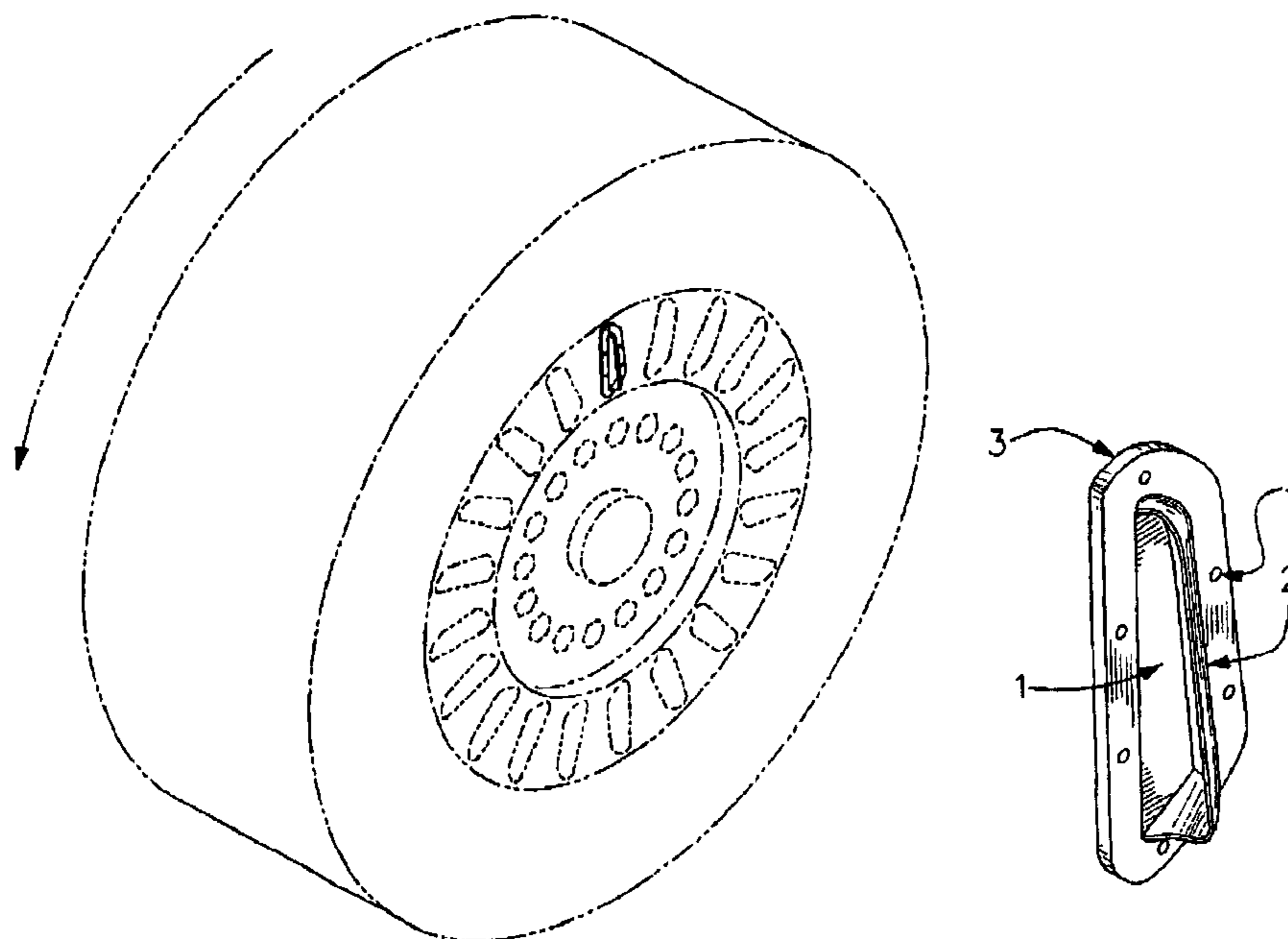
The ornamental design for an airplane tire fin, as shown and described.

DESCRIPTION

FIG. 1 is a perspective view of an airplane tire fin, shown attached to the rim of an airplane tire;
 FIG. 2 is a perspective view of the fin showing my new design;
 FIG. 3 is the front view thereof;
 FIG. 4 is the back view thereof;
 FIG. 5 is the left side view thereof;
 FIG. 6 is a right side view thereof;
 FIG. 7 is a top view thereof; and,
 FIG. 8 is a bottom view thereof.

The broken lines in the drawings depict environmental structure, which forms no part of the claimed design.

1 Claim, 3 Drawing Sheets



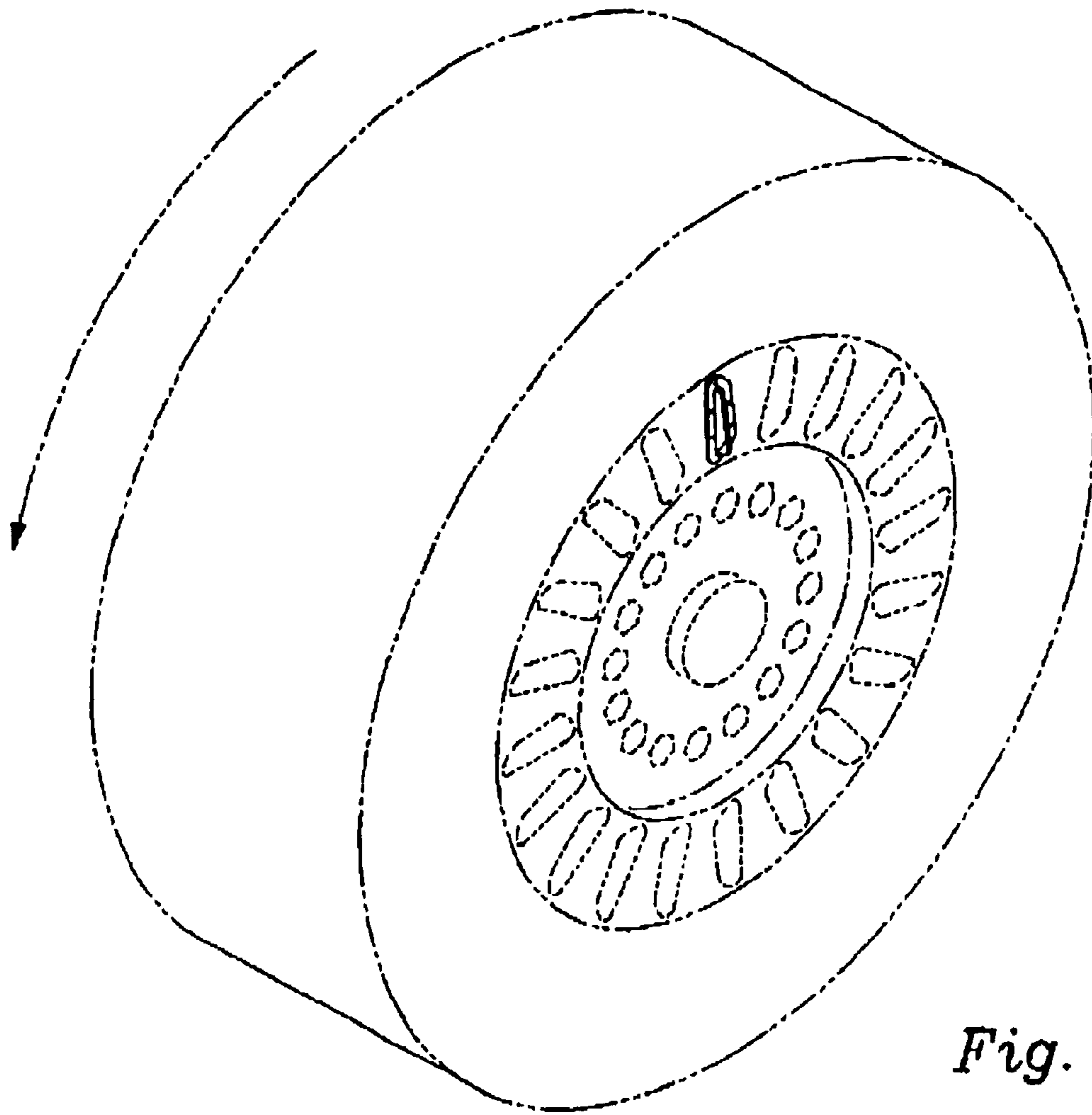


Fig. 1

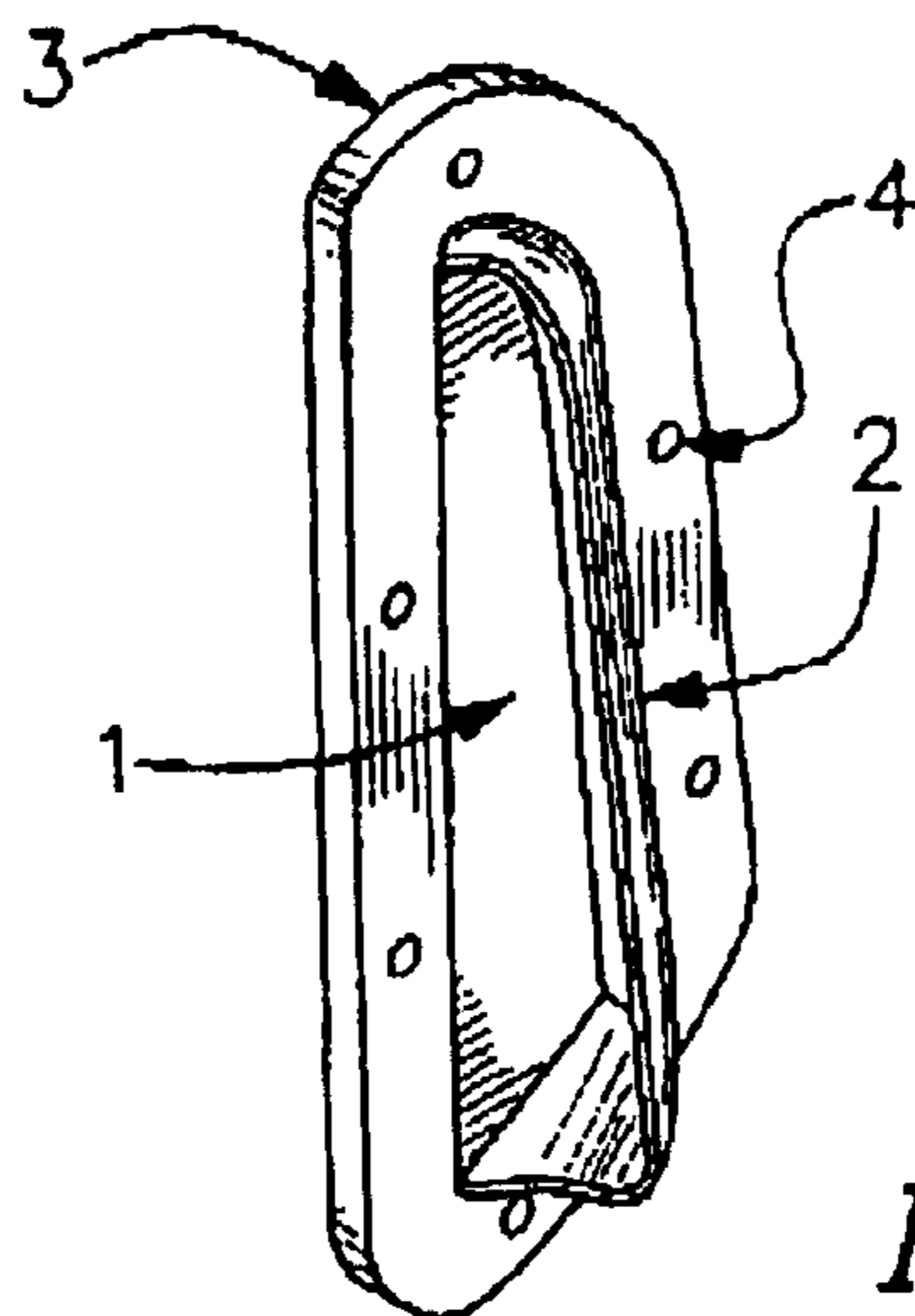


Fig. 2

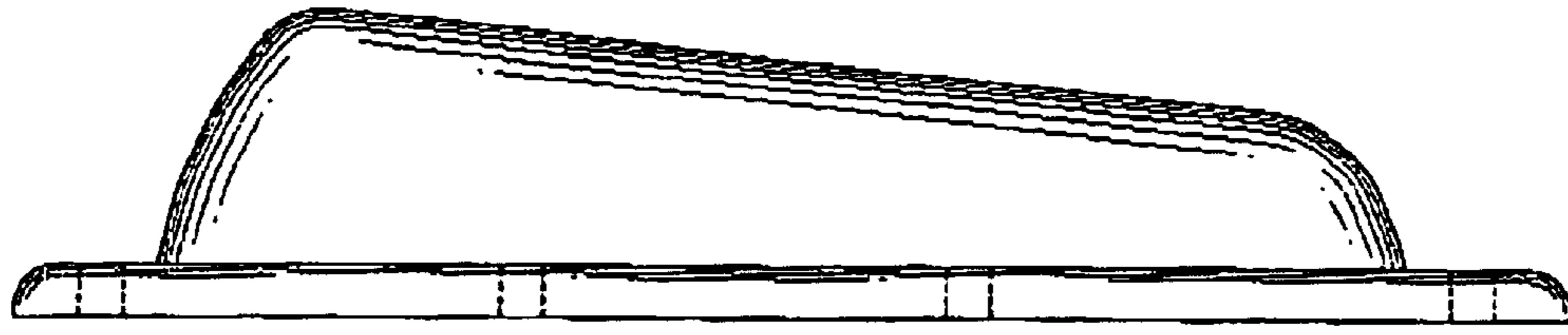


Fig. 3

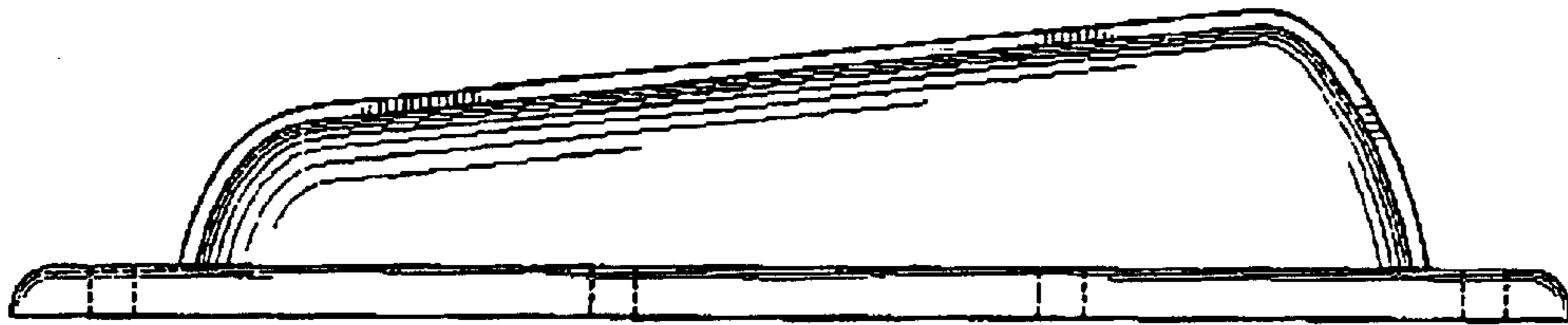


Fig. 4

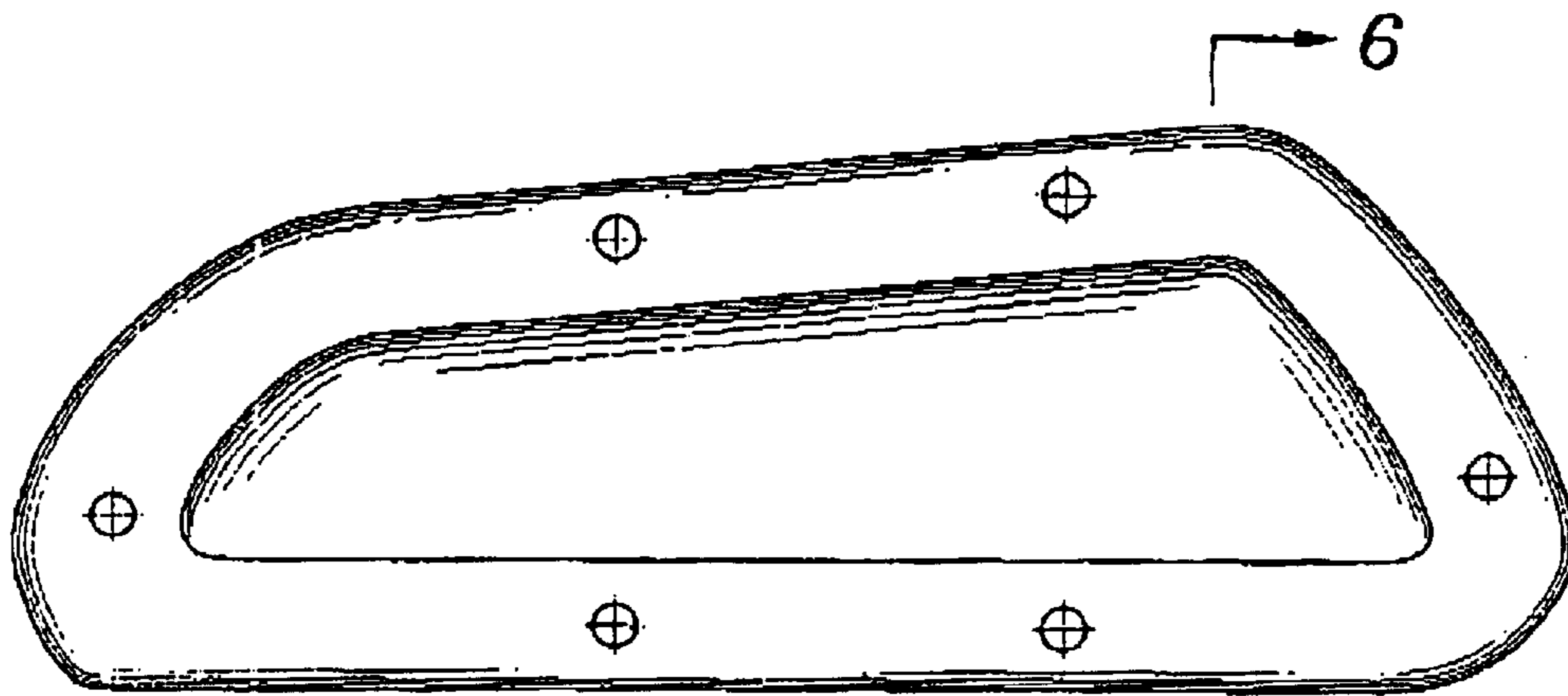


Fig. 5

6

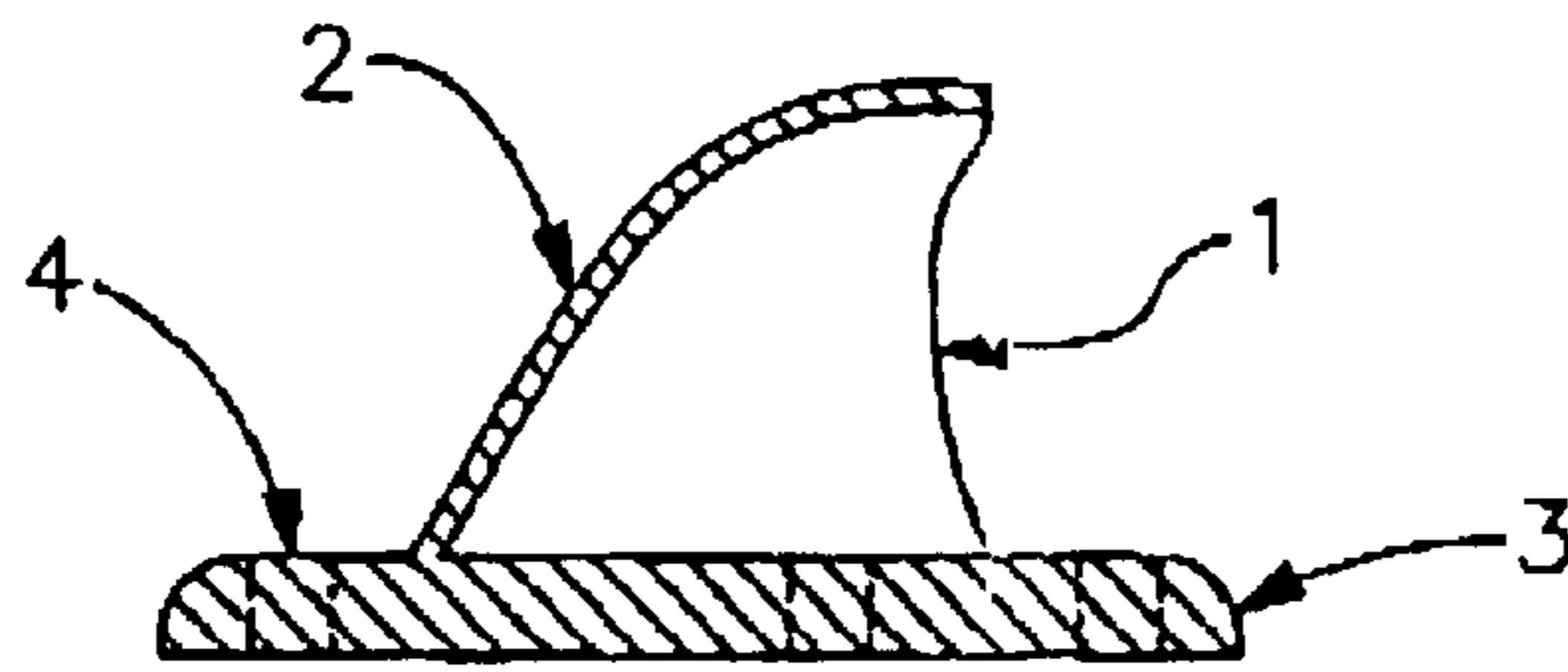


Fig. 6

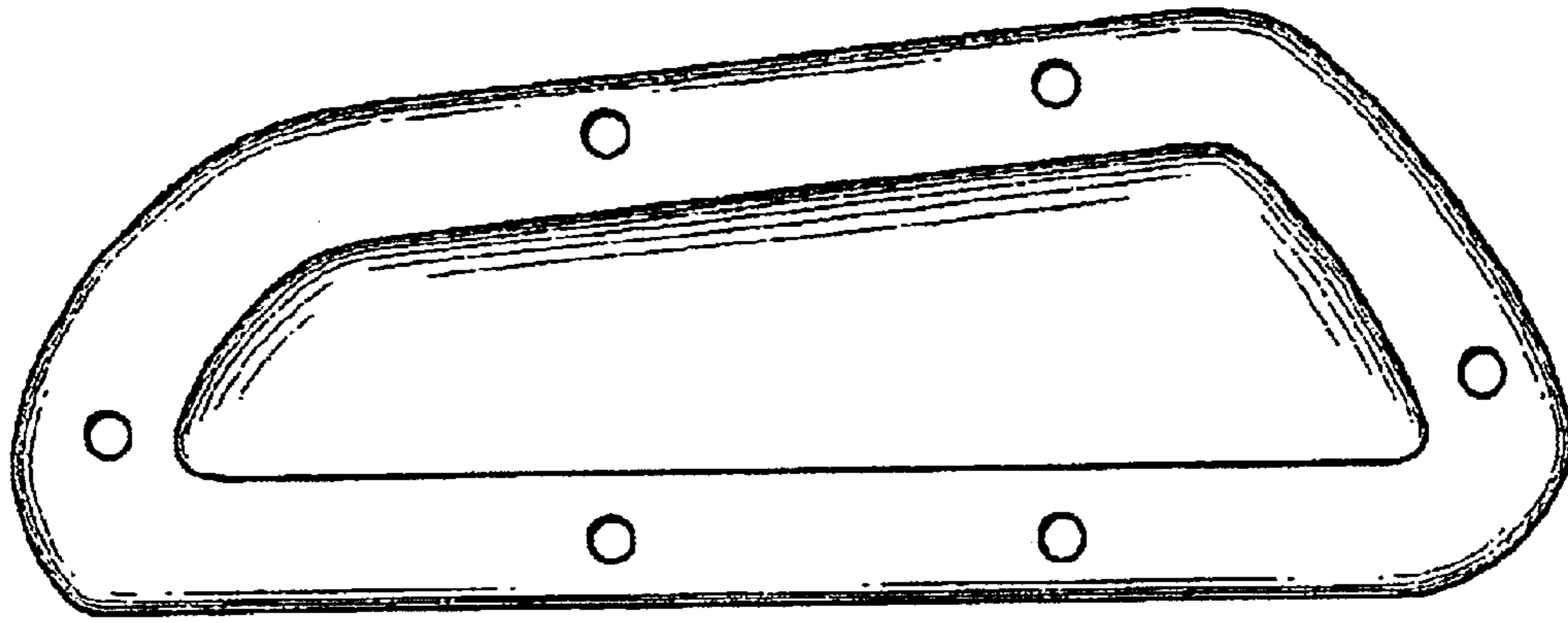


Fig. 7

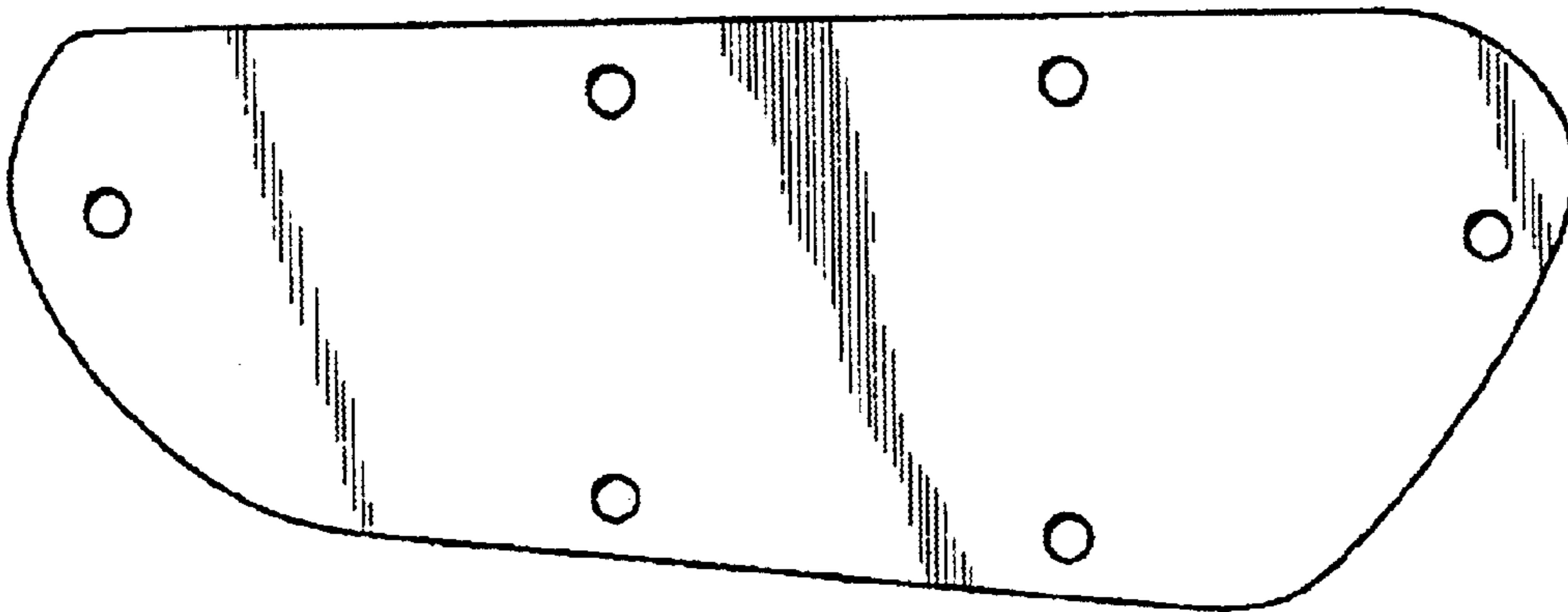


Fig. 8