



US00D505102S

(12) **United States Design Patent**
Cahyono

(10) **Patent No.:** **US D505,102 S**

(45) **Date of Patent:** **** May 17, 2005**

(54) **VEHICLE WHEEL**

(75) Inventor: **Sumantri Cahyono**, Surabaya (ID)

(73) Assignee: **PT Prima Alloy Steel Universal**,
Sidoarjo (ID)

(**) Term: **14 Years**

(21) Appl. No.: **29/204,305**

(22) Filed: **Apr. 27, 2004**

(51) **LOC (7) Cl.** **12-16**

(52) **U.S. Cl.** **D12/209**

(58) **Field of Search** D12/204–213;
301/37.101, 64.101, 65

D488,762 S	*	4/2004	Cahyono	D12/209
D492,240 S	*	6/2004	Suciu	D12/211
D493,406 S	*	7/2004	Kataoka	D12/211
D494,523 S	*	8/2004	Koenigsberg	D12/209
D495,285 S	*	8/2004	Phillips	D12/209
D497,133 S	*	10/2004	Cheng	D12/209
D499,060 S	*	11/2004	Cahyono	D12/209

* cited by examiner

Primary Examiner—Stacia Cadmus

(74) *Attorney, Agent, or Firm*—Fulwider Patton Lee & Utecht, LLP

(57) **CLAIM**

The ornamental design for the “vehicle wheel,” as shown and described.

DESCRIPTION

FIG. 1 is a perspective view of the vehicle wheel showing my new design;

FIG. 2 is a front elevational view thereof; and,

FIG. 3 is a cross-sectional view taken along the lines of 3—3 of FIG. 2.

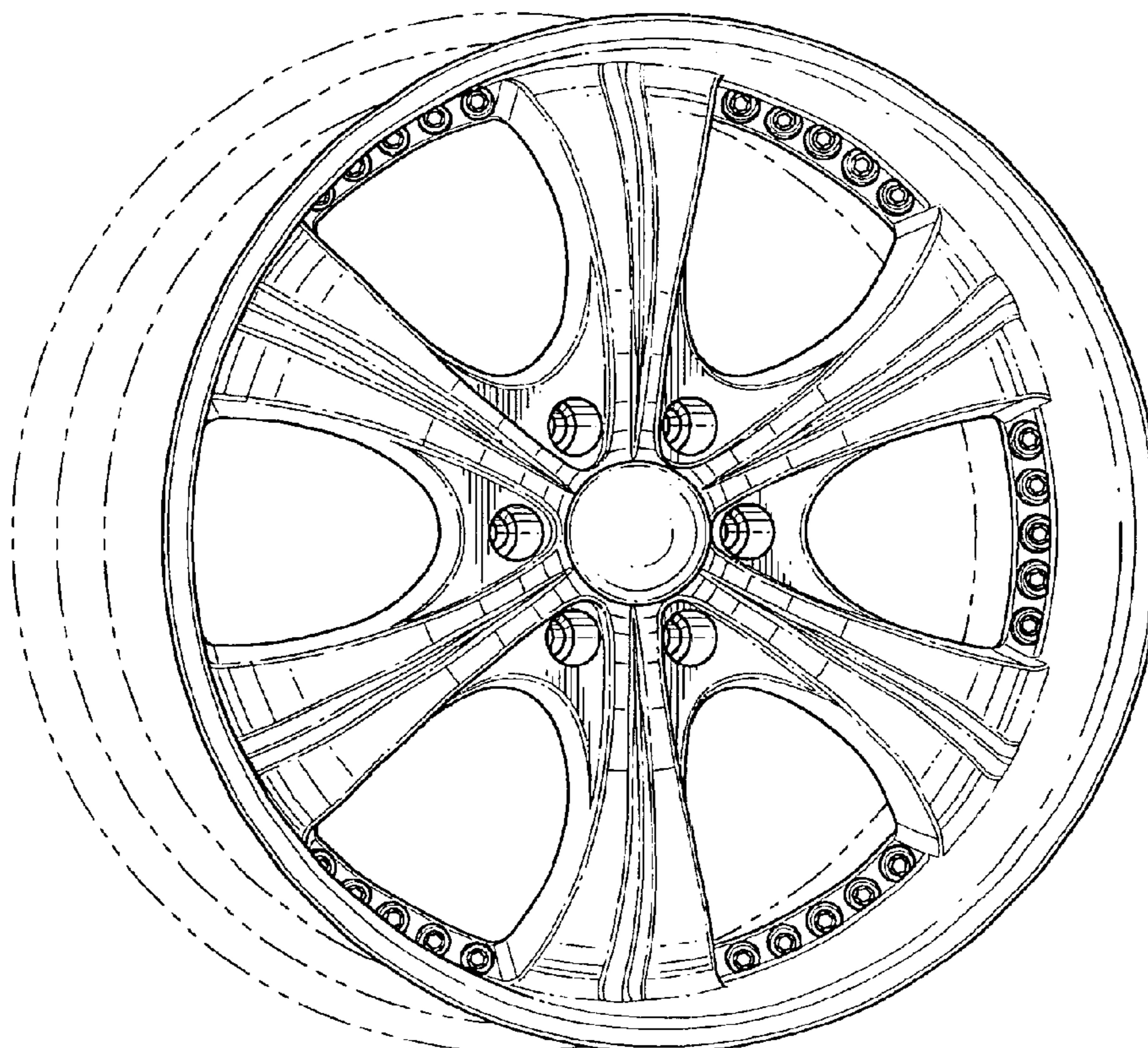
The broken line showing of environment is for illustrative purposes only and forms no part of the claimed design.

1 Claim, 3 Drawing Sheets

(56) **References Cited**

U.S. PATENT DOCUMENTS

D457,849 S	*	5/2002	Kataoka	D12/209
D459,691 S	*	7/2002	Takechi	D12/211
D461,155 S	*	8/2002	Takechi	D12/209
D467,857 S	*	12/2002	Chung	D12/209
D471,500 S	*	3/2003	Kataoka	D12/209
D475,962 S	*	6/2003	Chung	D12/211
D481,982 S	*	11/2003	Takechi	D12/211
D488,116 S	*	4/2004	Chung	D12/209



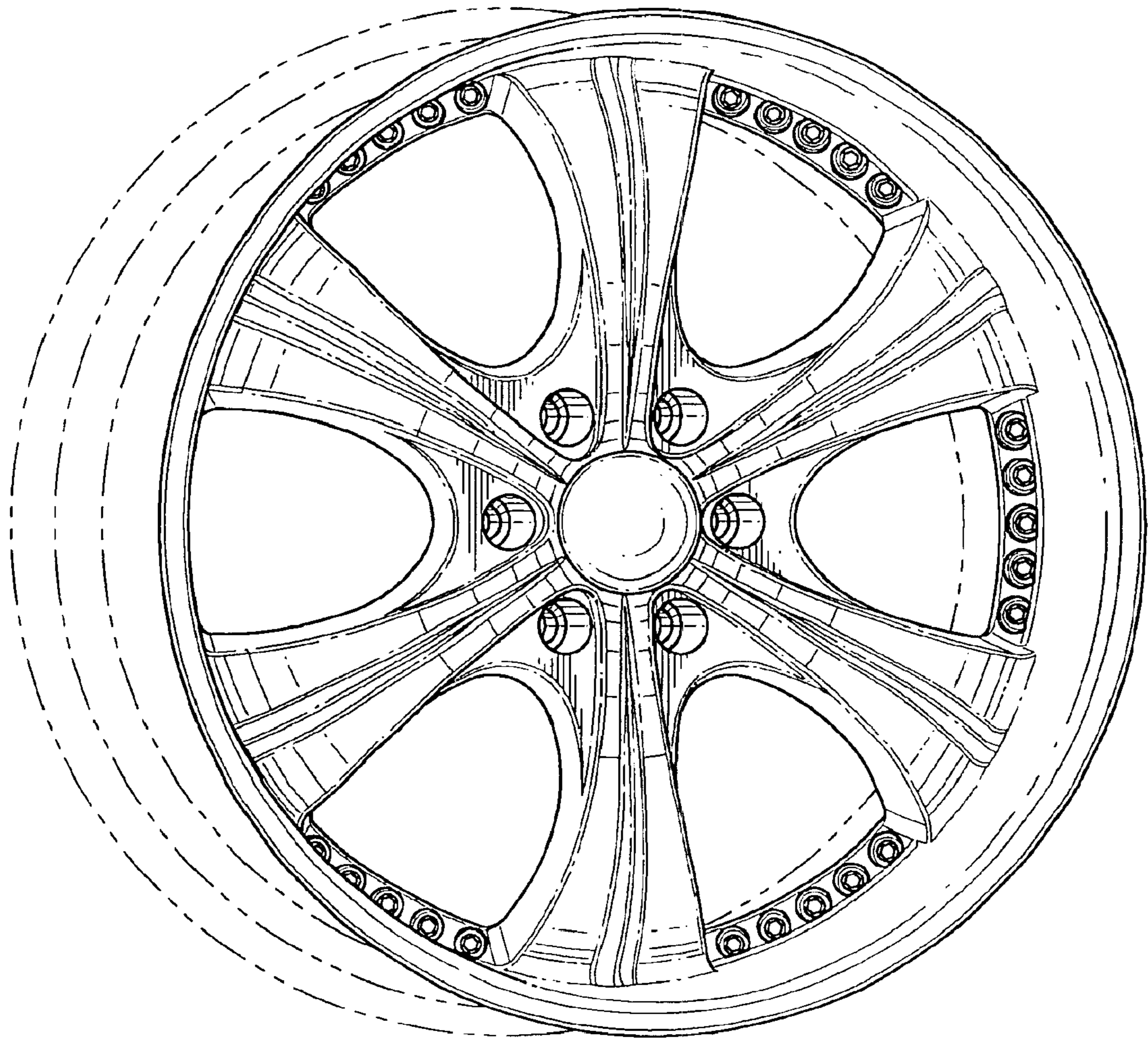


FIG. 1

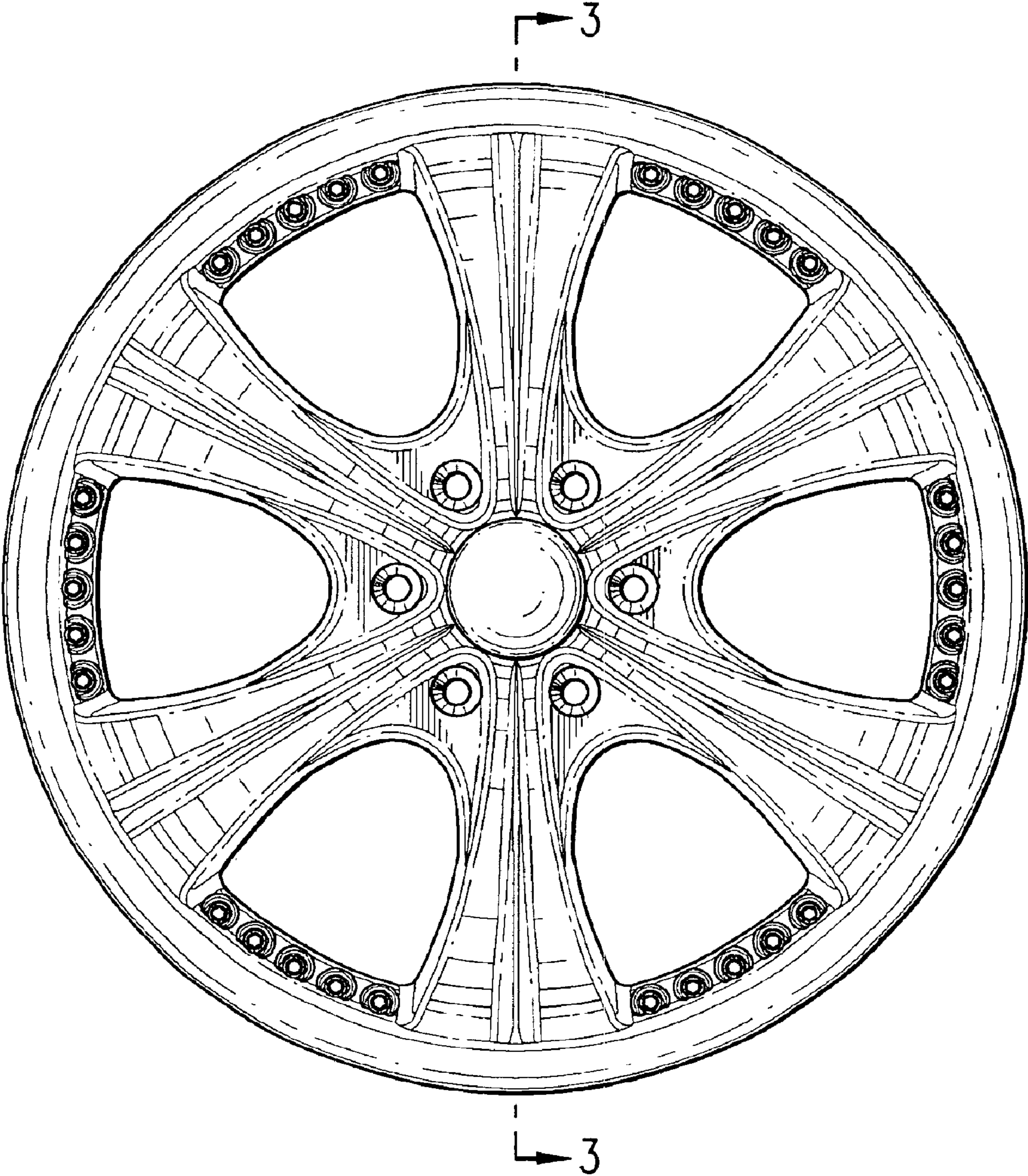


FIG. 2

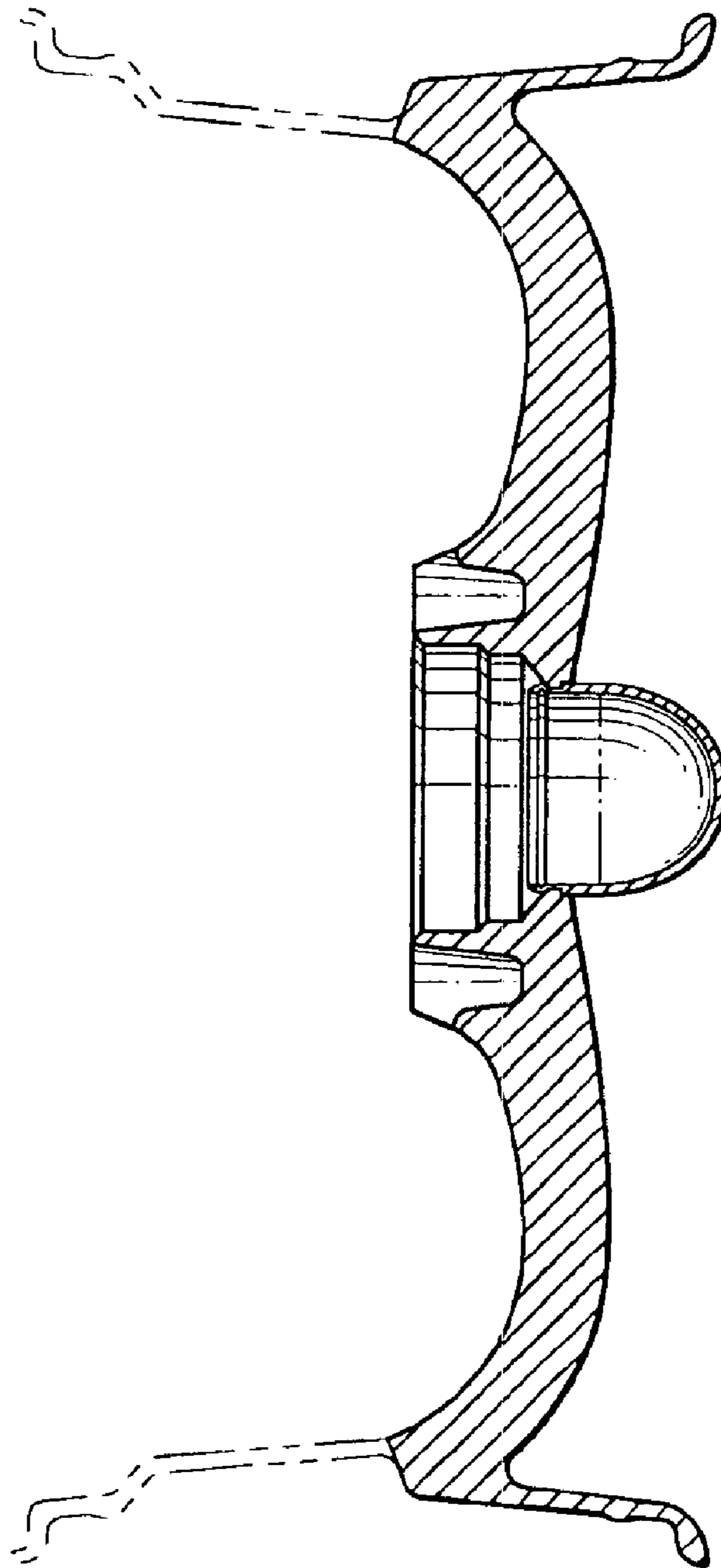


FIG. 3