

US00D505101S

(12) **United States Design Patent**
Juraschek

(10) **Patent No.:** **US D505,101 S**

(45) **Date of Patent:** **** May 17, 2005**

(54) **SURFACE CONFIGURATION OF AN INSTRUMENT DISPLAY PANEL FOR A VEHICLE**

(75) **Inventor:** **Romuald Juraschek, Athengstett (DE)**

(73) **Assignee:** **Dr. Ing. h.c.F. Porsche Aktiengesellschaft, Stuttgart (DE)**

(**) **Term:** **14 Years**

(21) **Appl. No.:** **29/212,563**

(22) **Filed:** **Sep. 3, 2004**

(30) **Foreign Application Priority Data**

Mar. 4, 2004 (EM) 000144217

(51) **LOC (7) Cl.** **12-16**

(52) **U.S. Cl.** **D12/192**

(58) **Field of Search** D12/192; 180/90;
280/750-752; 296/190-191, 70; D10/46,
102, 98, 122-127

(56) **References Cited**

U.S. PATENT DOCUMENTS

D413,294 S * 8/1999 Lagaay D12/192

D413,295 S * 8/1999 Sauter D12/192

D440,925 S * 4/2001 Pfeiffer D12/192

D475,956 S * 6/2003 Juraschek et al. D12/192

D475,957 S * 6/2003 Machinek D12/192

D483,309 S * 12/2003 Wyszogrod D12/192

D491,504 S * 6/2004 Sato et al. D12/192

D496,896 S * 10/2004 Tahira et al. D12/192

* cited by examiner

Primary Examiner—Stacia Cadmus

(74) *Attorney, Agent, or Firm*—Crowell & Moring LLP

(57) **CLAIM**

The ornamental design for a surface configuration of an instrument display panel for a vehicle, as shown and described.

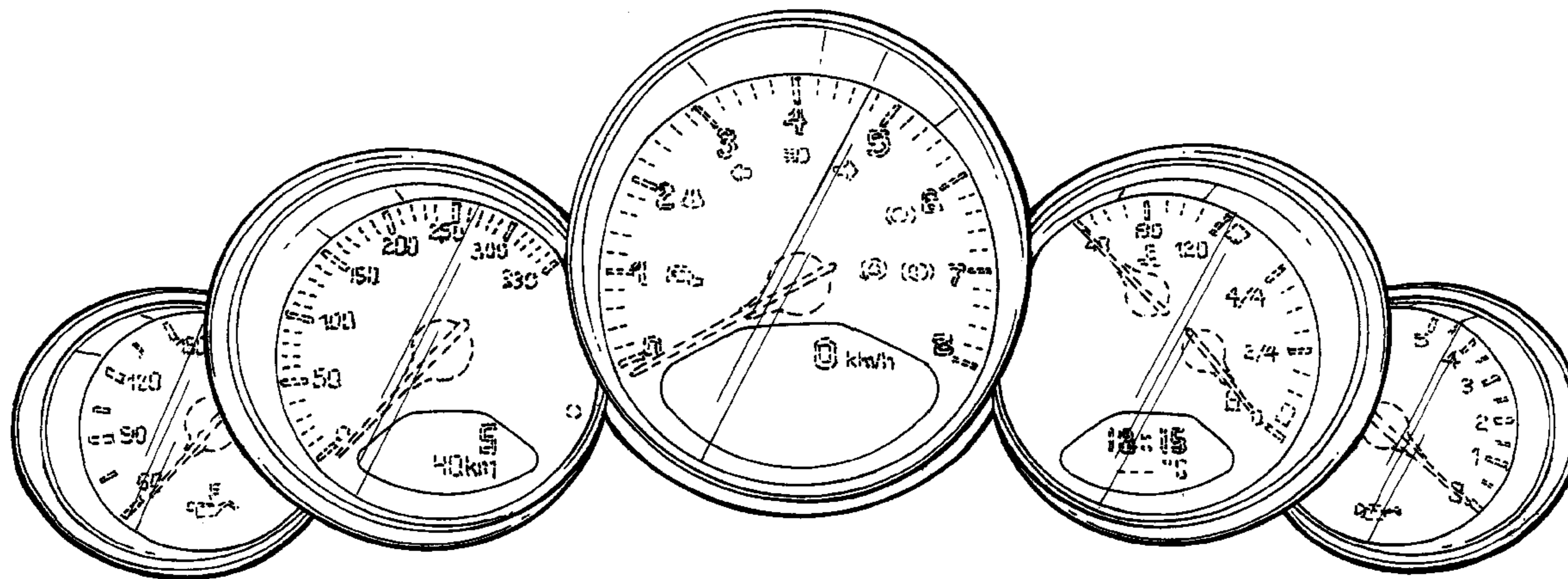
DESCRIPTION

FIG. 1 is a front view of a surface configuration of an instrument display panel for a vehicle according to my novel design; and,

FIG. 2 is a right perspective view of the surface configuration of an instrument display panel for a vehicle according to my novel design, the left perspective view being mirror symmetrical.

The broken lines are for illustrative purposes only and form no part of the claimed design.

1 Claim, 2 Drawing Sheets



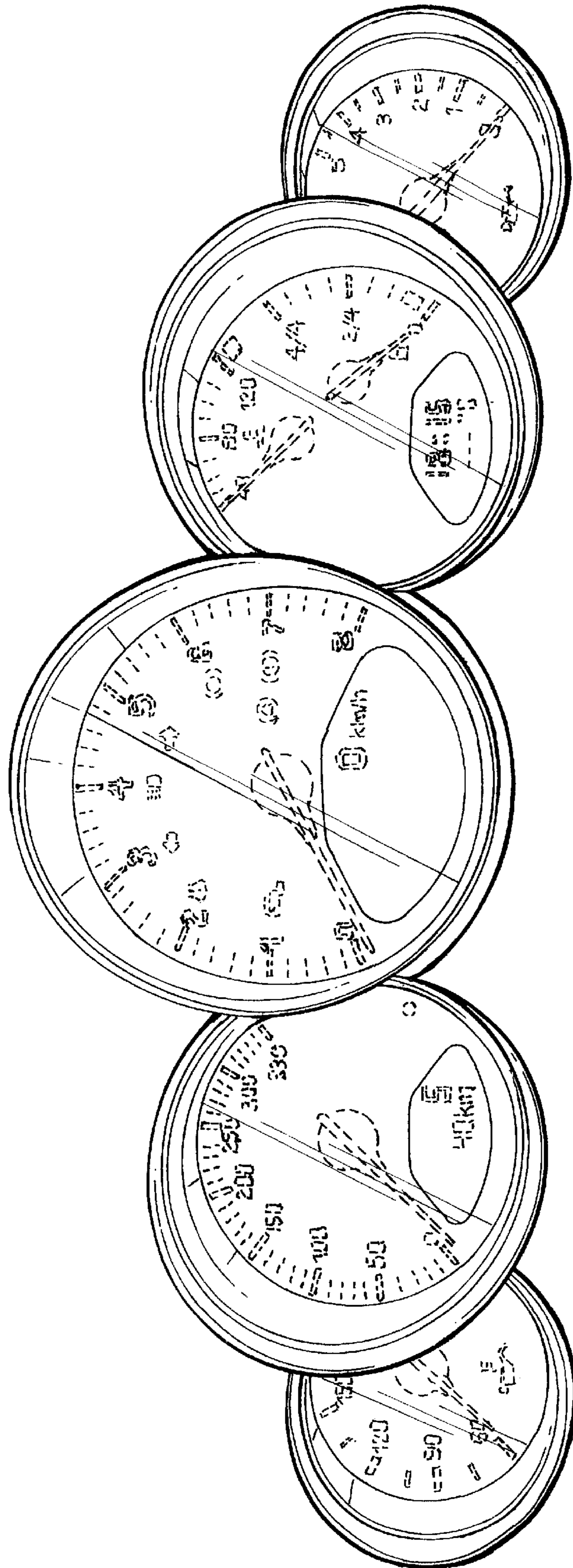


FIG. 1

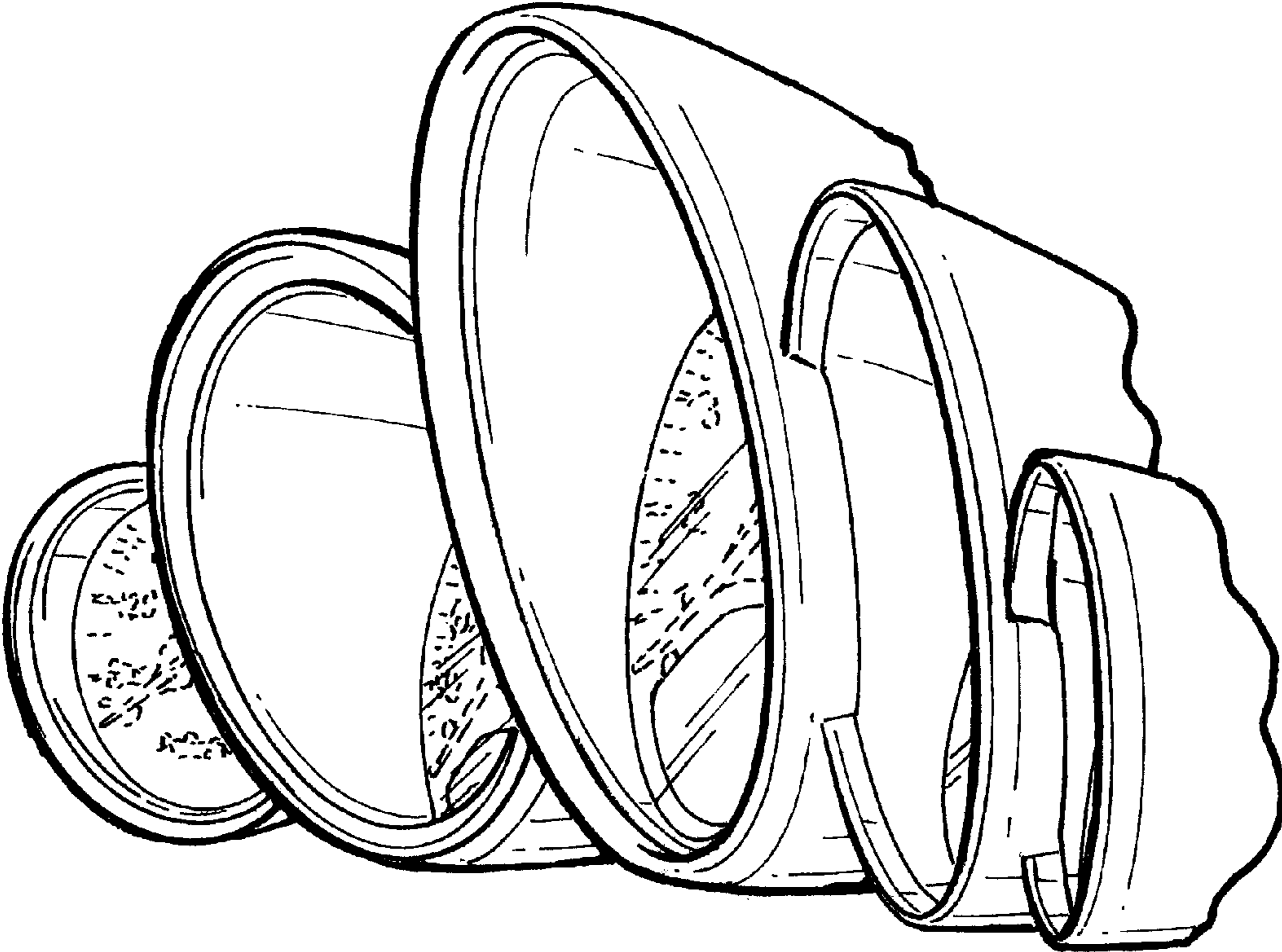


FIG. 2