



US00D505083S

(12) **United States Design Patent**  
**Tabeshnekoo**

(10) **Patent No.:** **US D505,083 S**

(45) **Date of Patent:** **\*\* May 17, 2005**

(54) **CONTAINER HOLDER**

(76) **Inventor:** **Masoud Tabeshnekoo**, P.O. Box 85573,  
Los Angeles, CA (US) 90072

(\*\*) **Term:** **14 Years**

(21) **Appl. No.:** **29/202,664**

(22) **Filed:** **Apr. 1, 2004**

(51) **LOC (7) Cl.** ..... **09-03**

(52) **U.S. Cl.** ..... **D9/752**

(58) **Field of Search** ..... D9/751, 752, 416;  
294/87.2; 206/150

(56) **References Cited**

**U.S. PATENT DOCUMENTS**

D199,284 S	*	9/1964	Petrone	.....	D9/752
3,232,422 A	*	2/1966	Whyte	.....	206/150
3,268,070 A	*	8/1966	Cunningham	.....	206/150
3,269,530 A	*	8/1966	Wanderer	.....	206/150
3,346,106 A	*	10/1967	Gooding	.....	206/151

\* cited by examiner

*Primary Examiner*—Mitchell Siegel

*Assistant Examiner*—Mark A. Goodwin

(74) *Attorney, Agent, or Firm*—Rolando J. Tong

(57) **CLAIM**

The ornamental design for a container holder, as shown and described.

**DESCRIPTION**

FIG. 1 is a perspective view of a container holder showing my new design.

FIG. 2 is a top plan view thereof;

FIG. 3 is a bottom plan view thereof;

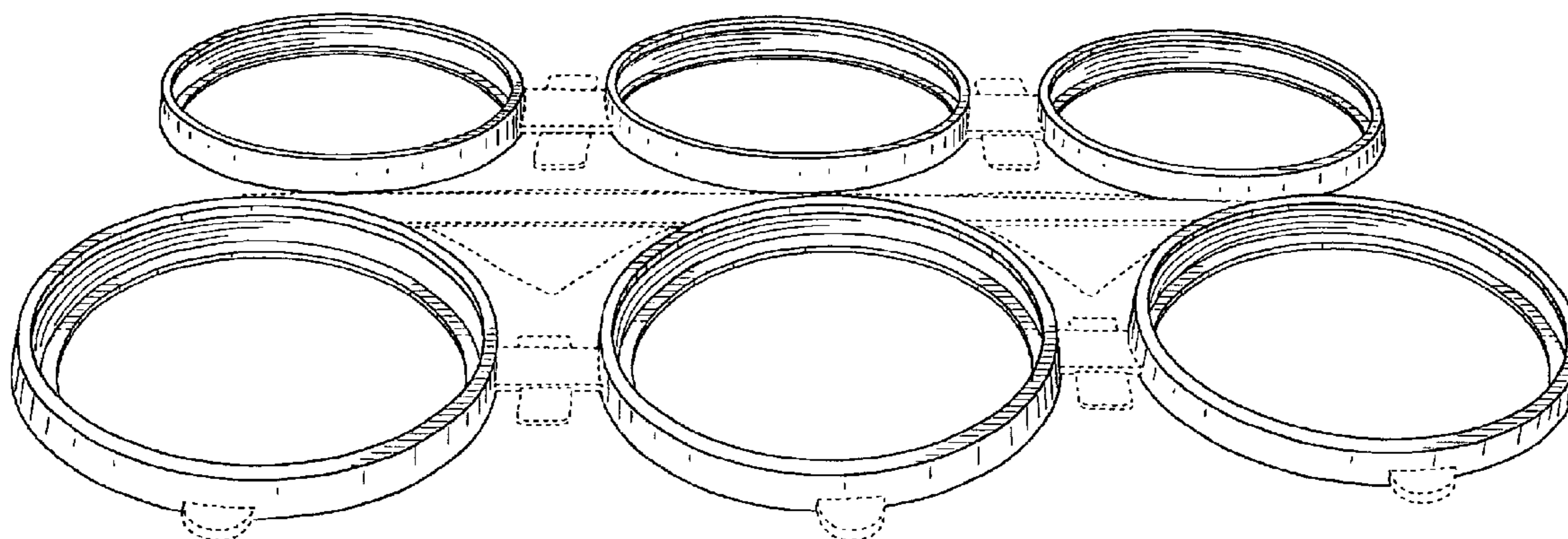
FIG. 4 is a front view thereof; and,

FIG. 5 is a left side view thereof.

Broken lines illustrate features or environmental components that are not part of the design sought to be patented.

The broken line showing of features or environmental components is for illustrative purposes only and forms no part of the claimed design.

**1 Claim, 4 Drawing Sheets**



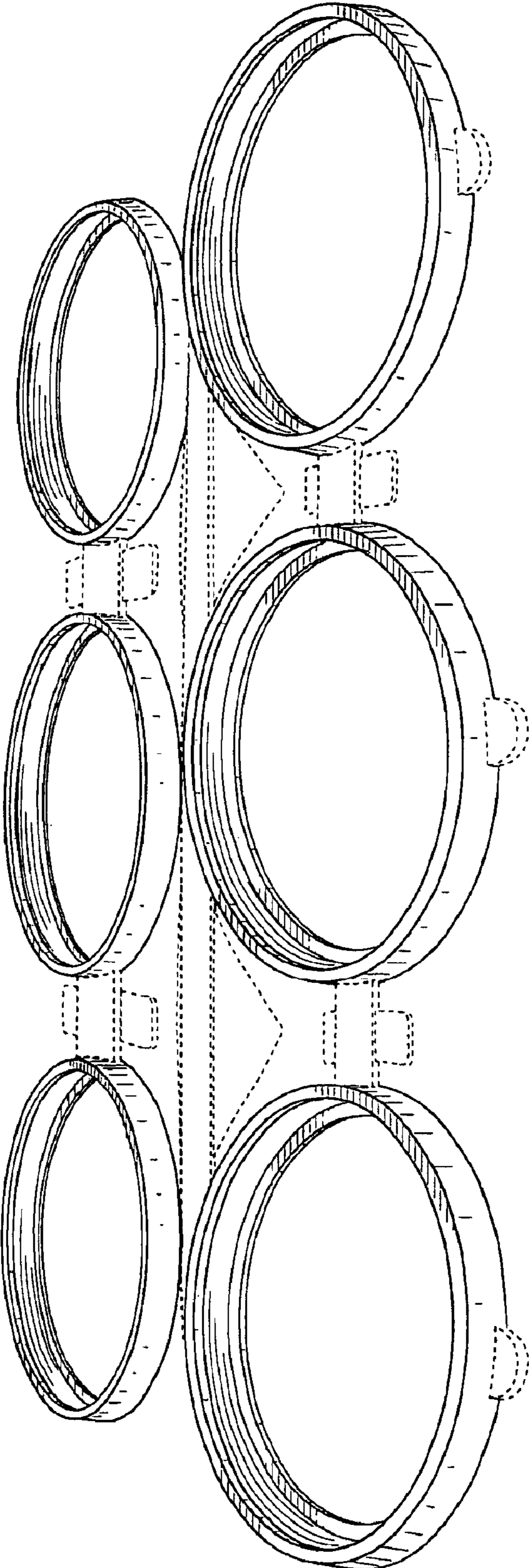


FIG. 1

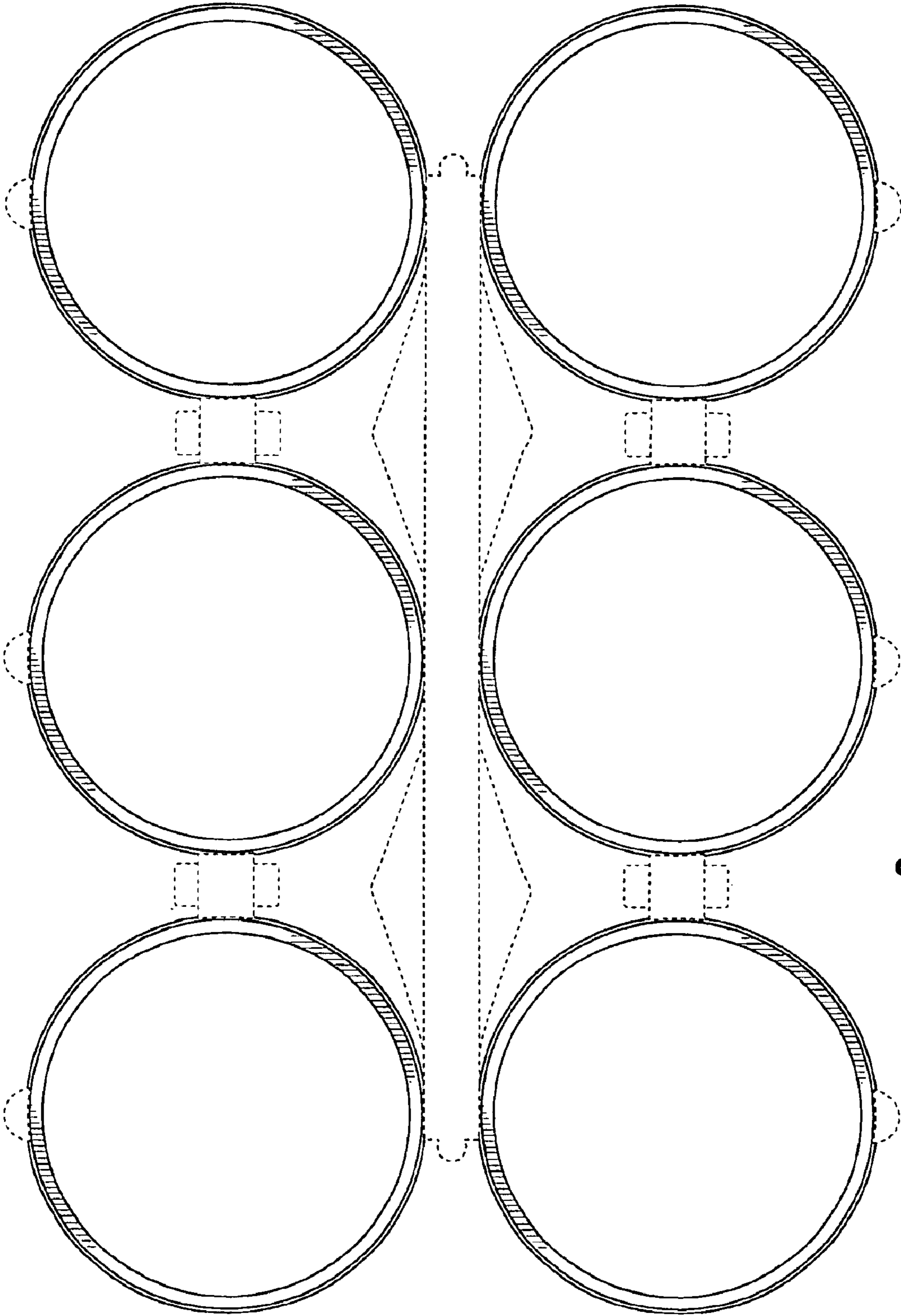


FIG. 2

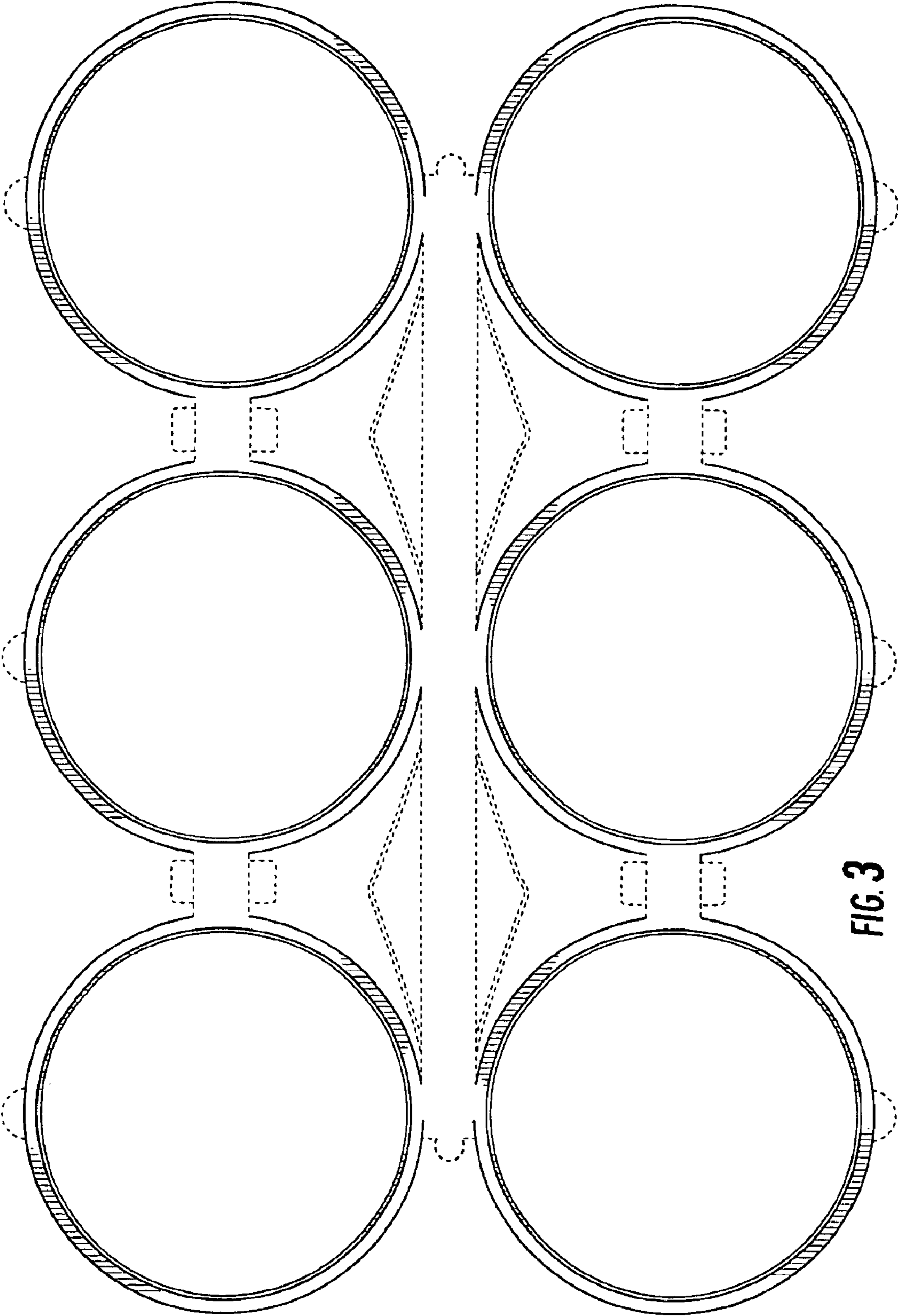


FIG. 3

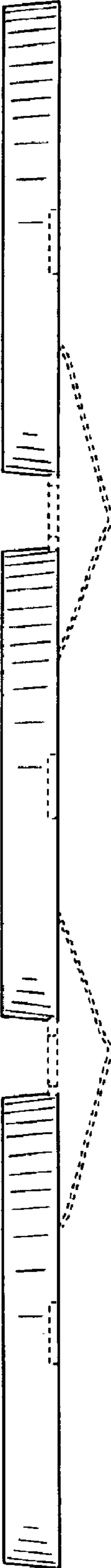


FIG. 4

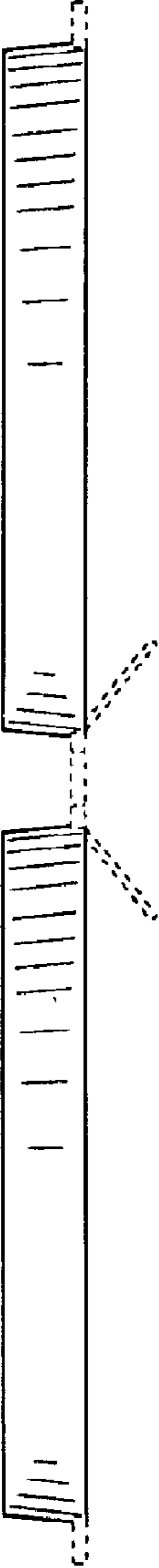


FIG. 5