

US00D505077S

(12) **United States Design Patent** (10) **Patent No.:** **US D505,077 S**
Piccioli et al. (45) **Date of Patent:** **** May 17, 2005**

(54) **CONTAINER**

(75) **Inventors:** **David P. Piccioli**, Auburn, NH (US);
Thomas E. Nahill, Amherst, NH (US);
Tapan Y. Patel, Manchester, NH (US);
Stephen R. Guerin, Milford, NH (US)

(73) **Assignee:** **Graham Packaging PET Technologies Inc.**, York, PA (US)

(**) **Term:** **14 Years**

(21) **Appl. No.:** **29/176,410**

(22) **Filed:** **Feb. 21, 2003**

(51) **LOC (7) Cl.** **09-01**

(52) **U.S. Cl.** **D9/538; D9/540**

(58) **Field of Search** D9/516, 520, 530-531,
D9/537-543, 549-551, 556-558, 563, 569-570,
574-575; 215/381-385, 396, 398, 400

(56) **References Cited**

U.S. PATENT DOCUMENTS

D295,499 S	5/1988	LeFevre	
D315,678 S	* 3/1991	Darr	D9/538
5,222,615 A	* 6/1993	Ota et al.	215/383 X
D340,190 S	* 10/1993	Skidmore et al.	D9/542
D346,556 S	* 5/1994	Sirico et al.	D9/538
5,472,105 A	12/1995	Krishnakumar et al.	
D382,807 S	* 8/1997	Silvers et al.	D9/520
D390,114 S	2/1998	Young	
5,732,838 A	3/1998	Young	

6,016,932 A	1/2000	Gaydosh et al.	
D419,872 S	* 2/2000	Lane	D9/520
D420,593 S	* 2/2000	Denner et al.	D9/520
6,044,996 A	* 4/2000	Carew et al.	215/381
D443,521 S	* 6/2001	Bansal et al.	D9/543
6,439,413 B1	* 8/2002	Prevot et al.	215/381
D467,505 S	* 12/2002	Iizuka et al.	D9/538
D467,813 S	* 12/2002	Silvers et al.	D9/538

* cited by examiner

Primary Examiner—Stella Reid

Assistant Examiner—Carol Rademaker

(74) *Attorney, Agent, or Firm*—Venable LLP; James R. Burdett; Keith G. Haddaway

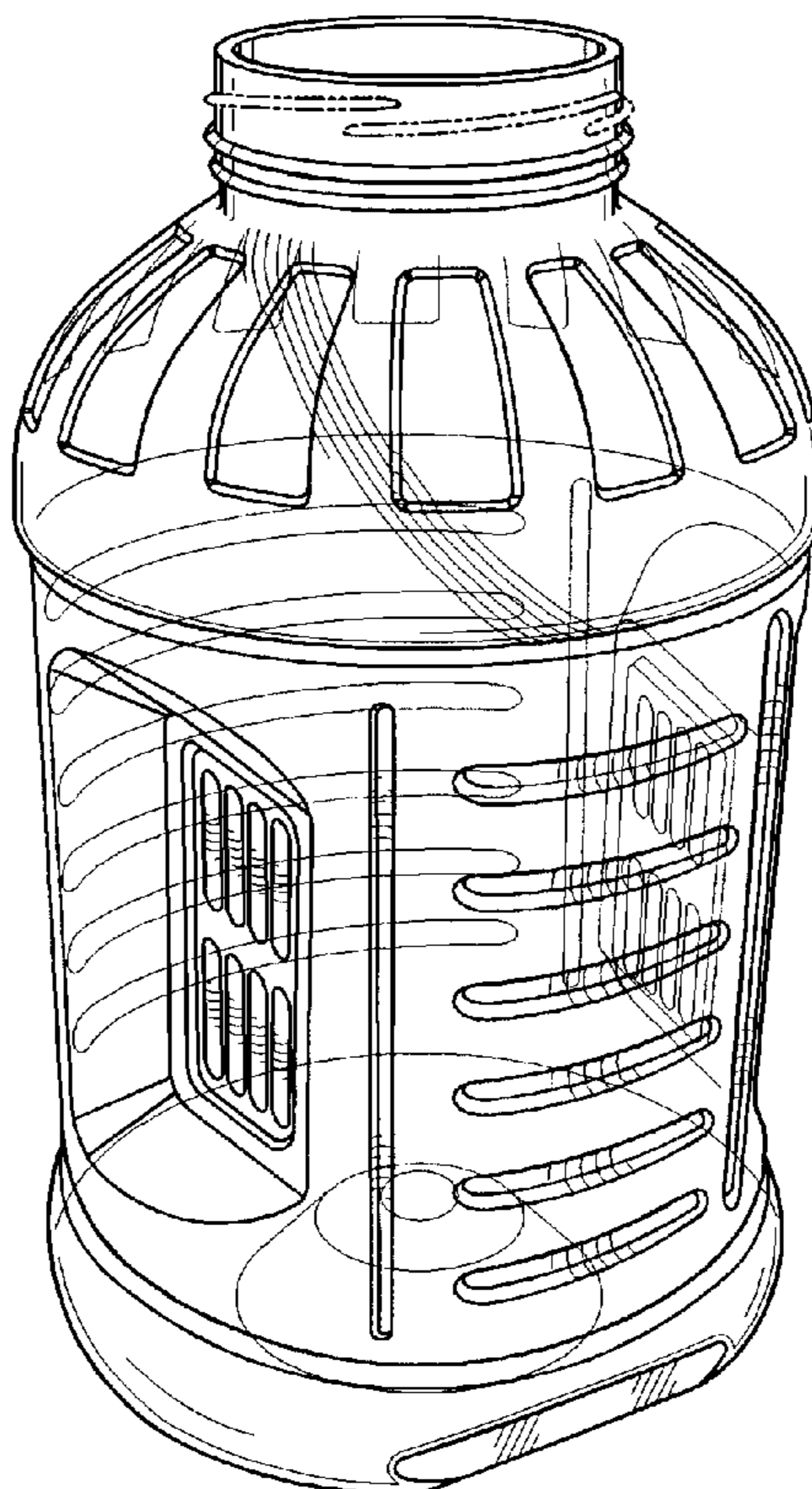
(57) **CLAIM**

We claim the ornamental design for a container, as shown and described.

DESCRIPTION

FIG. 1 is a perspective view of a container according to our new design;
FIG. 2 is a front elevational view of the container of FIG. 1;
FIG. 3 is a rear elevational view of the container of FIG. 1;
FIG. 4 is right side elevational view of the container of FIG. 1, the left side elevational view being a mirror image;
FIG. 5 is a top plan view of the container of FIG. 1; and,
FIG. 6 is a bottom plan view of the container of FIG. 1.
The broken lines showing a threaded neck in FIG. 1 of the drawing are for illustration purposes only and do not form a part of the claimed design.

1 Claim, 3 Drawing Sheets



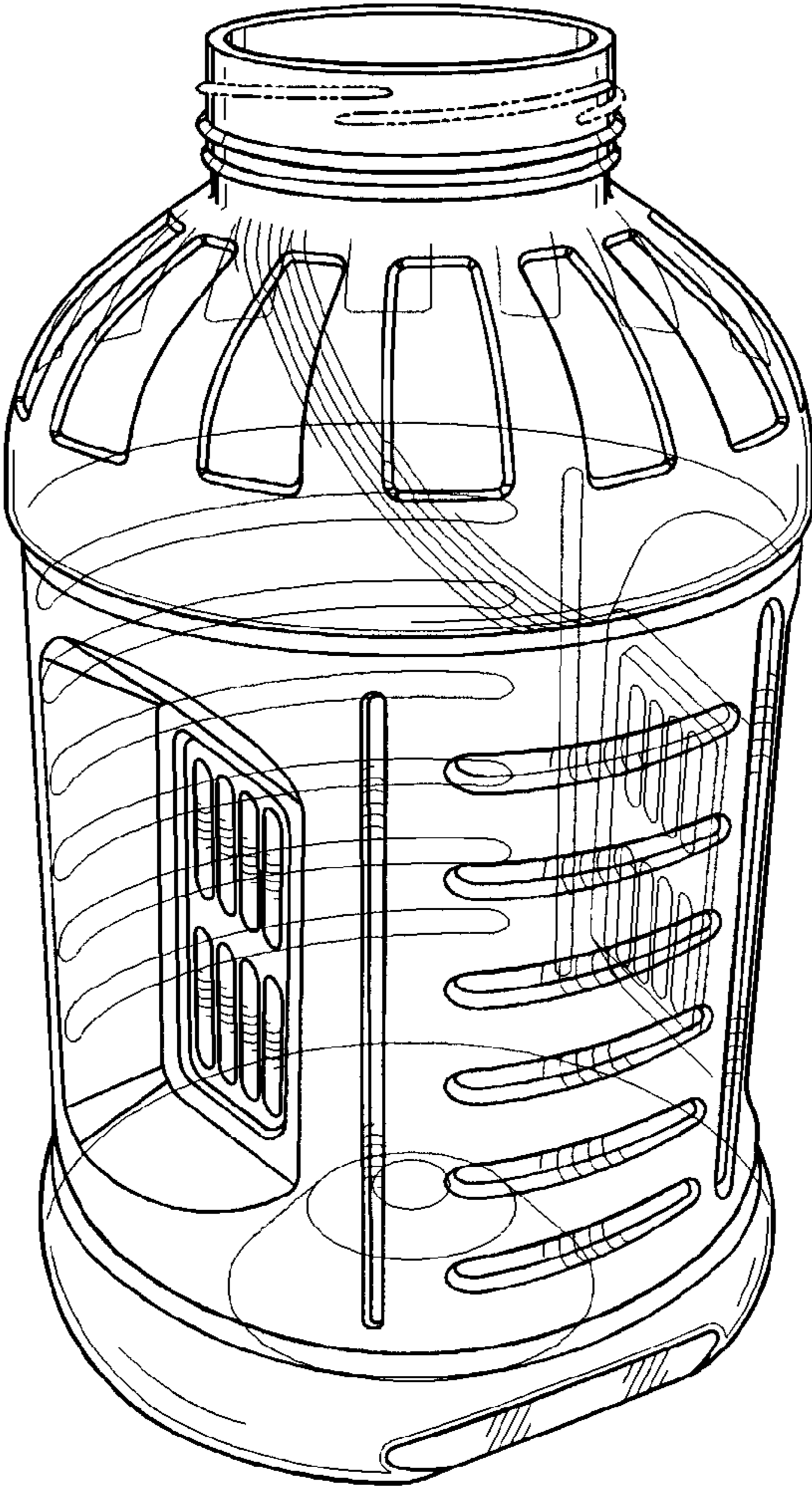


Fig-1

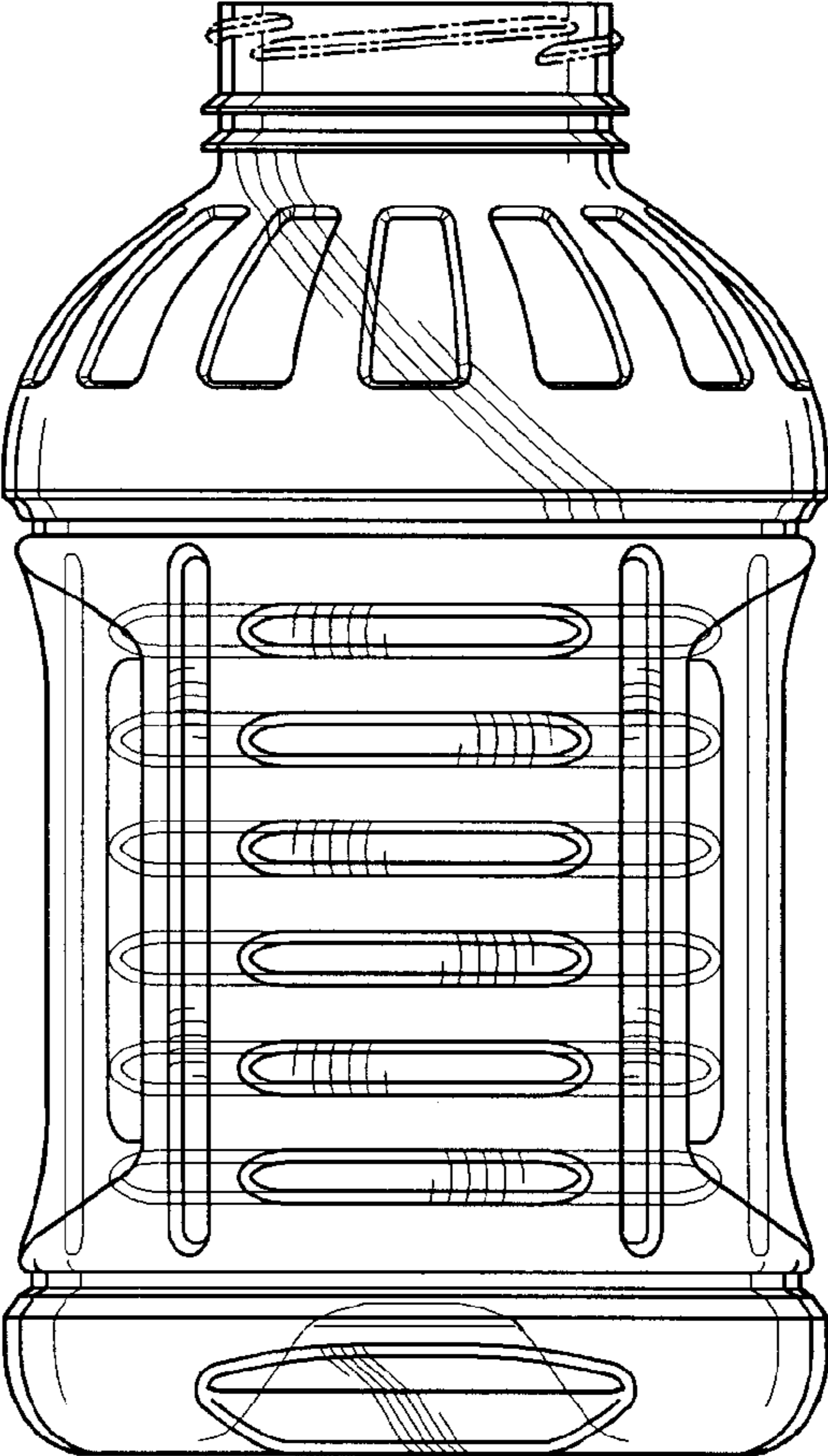


Fig-2

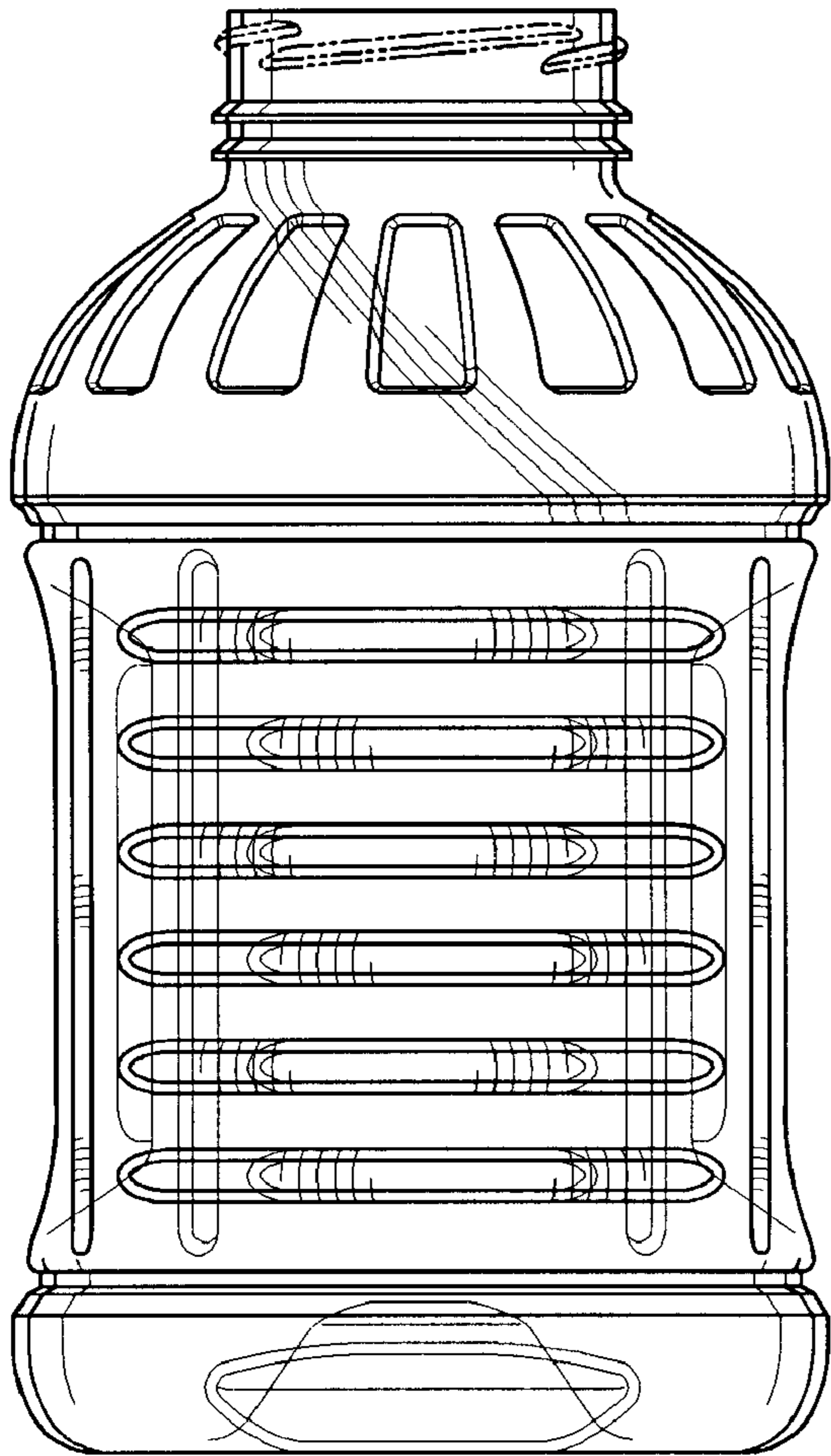


Fig-3

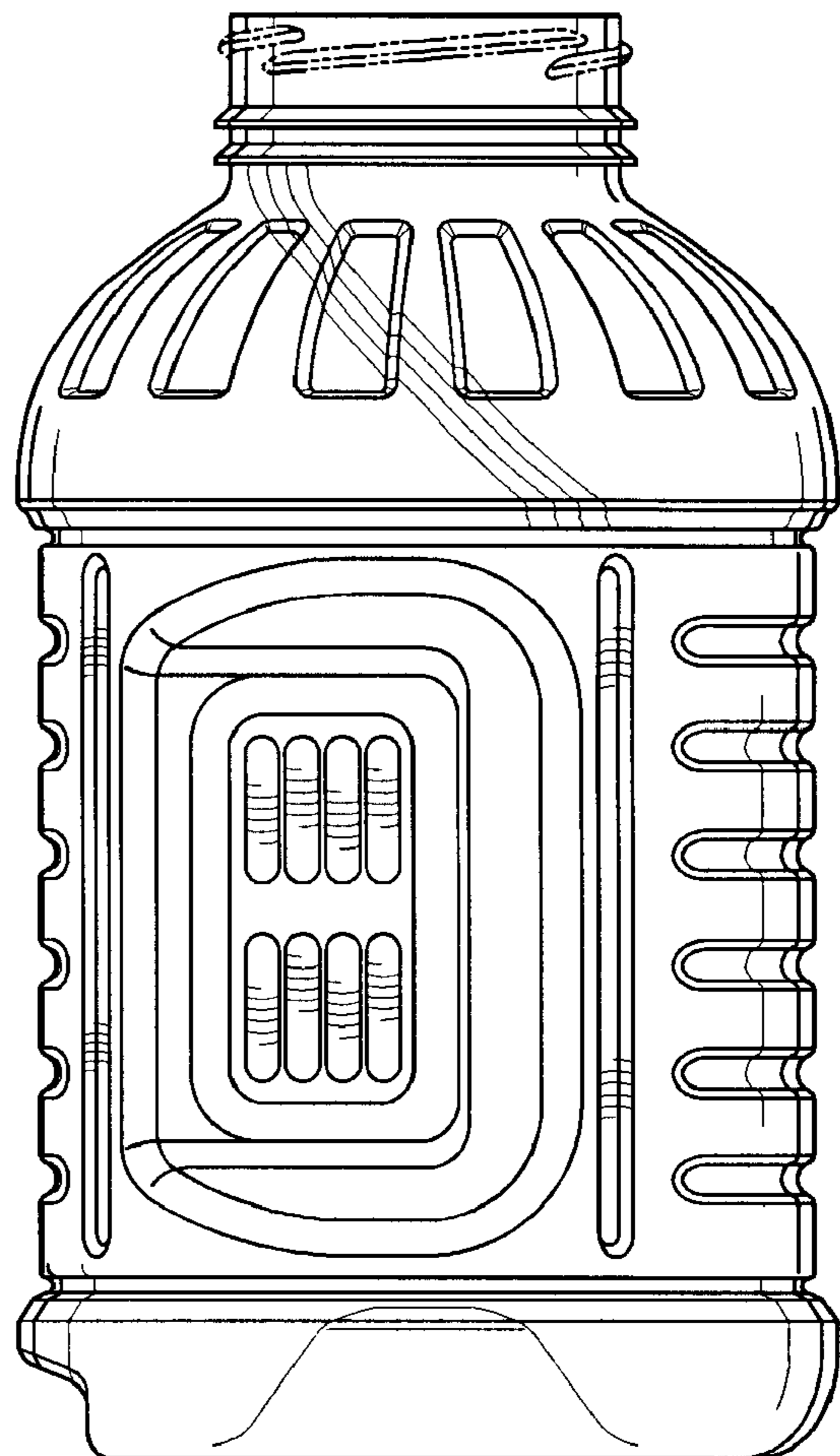


Fig-4

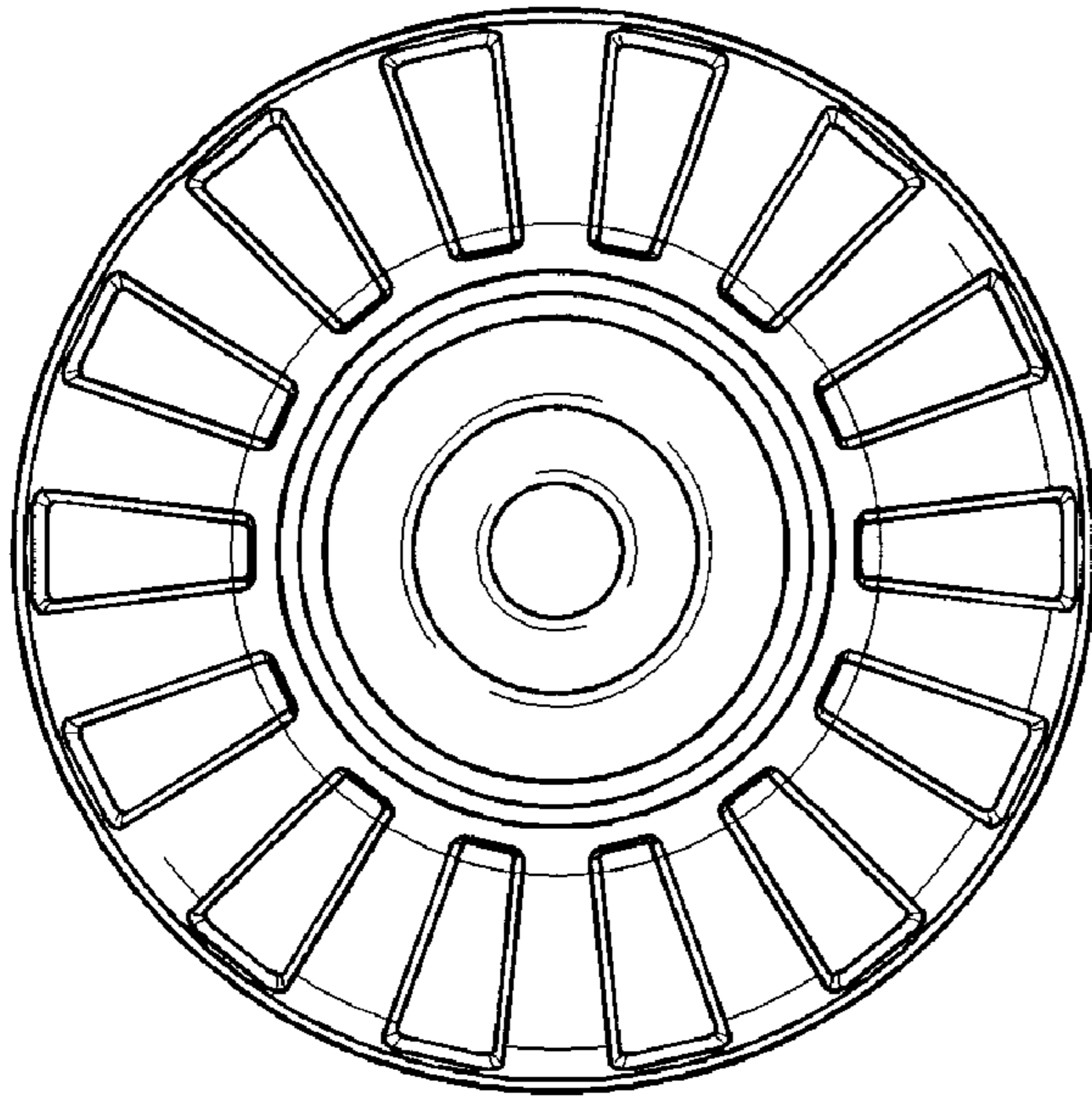


Fig-5

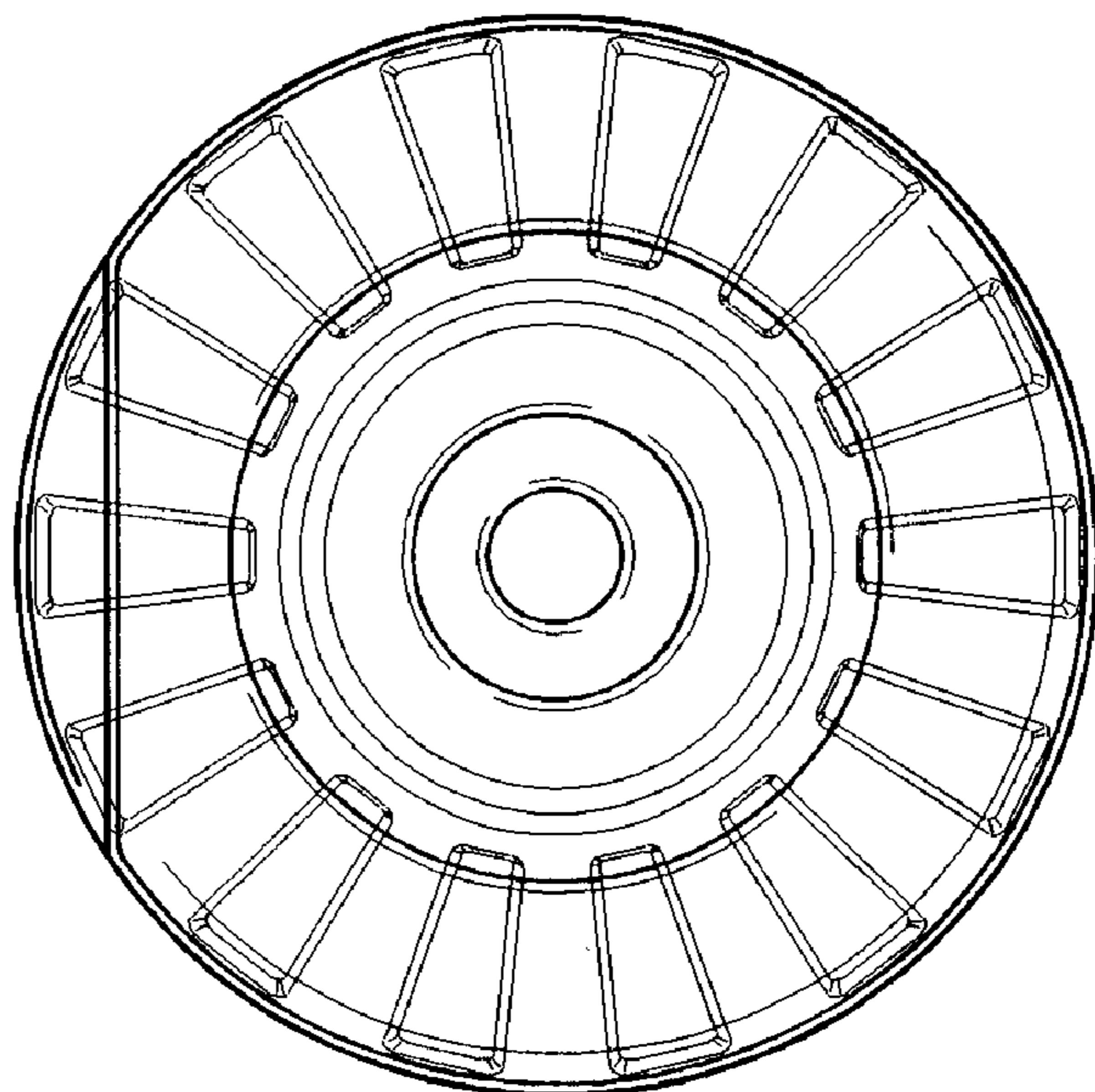


Fig-6