

US00D505072S

(12) **United States Design Patent**
Turnbull et al.

(10) **Patent No.: US D505,072 S**
(45) **Date of Patent: ** May 17, 2005**

(54) **SPRAY GUN TRIGGER**

(75) Inventors: **Clifford W. Turnbull**, Auburn, WA (US); **Matthew N. Mrdeza**, Whittier, CA (US); **David L. Stocks**, Long Beach, CA (US)

(73) Assignee: **Trade Associates, Inc.**, Auburn, WA (US)

(**) Term: **14 Years**

(21) Appl. No.: **29/182,636**

(22) Filed: **May 28, 2003**

Related U.S. Application Data

(63) Continuation of application No. 10/267,632, filed on Oct. 8, 2002.

(51) **LOC (7) Cl.** **09-07**

(52) **U.S. Cl.** **D9/448; D9/300**

(58) **Field of Search** D9/448, 300, 434; D23/213, 225, 226; 222/321.8, 303.1; 239/3, 290, 300, 414, 600, 525-526; D8/14, 21; 215/253, 258

(56) **References Cited**

U.S. PATENT DOCUMENTS

4,343,433 A	*	8/1982	Sickles	239/3
4,456,180 A		6/1984	Lury	239/397
4,537,357 A	*	8/1985	Culbertson et al.	239/290
4,739,933 A		4/1988	Hanano	239/304
4,805,814 A		2/1989	Allen, Sr.	222/538

4,817,872 A		4/1989	Mattson	239/300
D308,006 S	*	5/1990	Robbins	D8/14
4,959,159 A		9/1990	Mattson	239/526
5,094,402 A		3/1992	Perret, Jr. et al.	239/526
5,207,359 A	*	5/1993	Steijns	222/383.1
5,271,564 A		12/1993	Smith	239/532
5,469,993 A		11/1995	Hauf et al.	222/383.3
D376,318 S	*	12/1996	Hildebrand	D9/448
5,609,302 A		3/1997	Smith	239/526
5,839,616 A	*	11/1998	Irwin et al.	222/321.8
D417,151 S	*	11/1999	Spengler	D9/448
6,029,909 A		2/2000	Smith	239/318
6,168,093 B1		1/2001	Greer, Jr. et al.	239/332
6,319,453 B1		11/2001	Klima, Jr. et al.	264/504

* cited by examiner

Primary Examiner—Paula A. Greene

(74) *Attorney, Agent, or Firm*—Dorsey & Whitney LLP

(57) **CLAIM**

The ornamental design for a spray gun trigger, as shown and described.

DESCRIPTION

FIG. 1 is a front isometric view of a spray gun apparatus showing our new design.

FIG. 2 is a right side elevational view thereof.

FIG. 3 is a left side elevational view thereof.

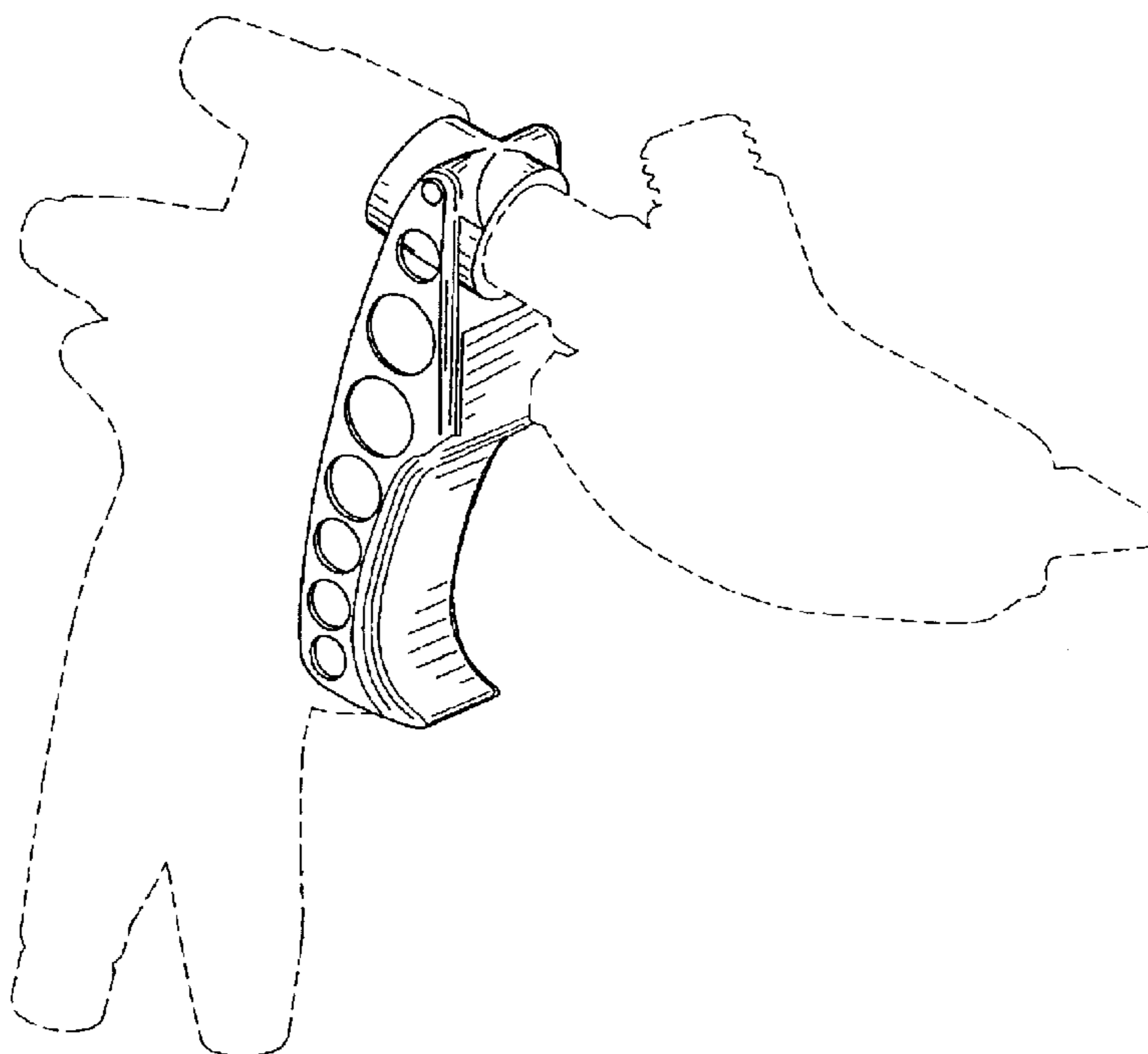
FIG. 4 is a top plan view thereof.

FIG. 5 is a bottom plan view thereof.

FIG. 6 is a front elevational view thereof; and,

FIG. 7 is a back elevational view thereof.

1 Claim, 6 Drawing Sheets



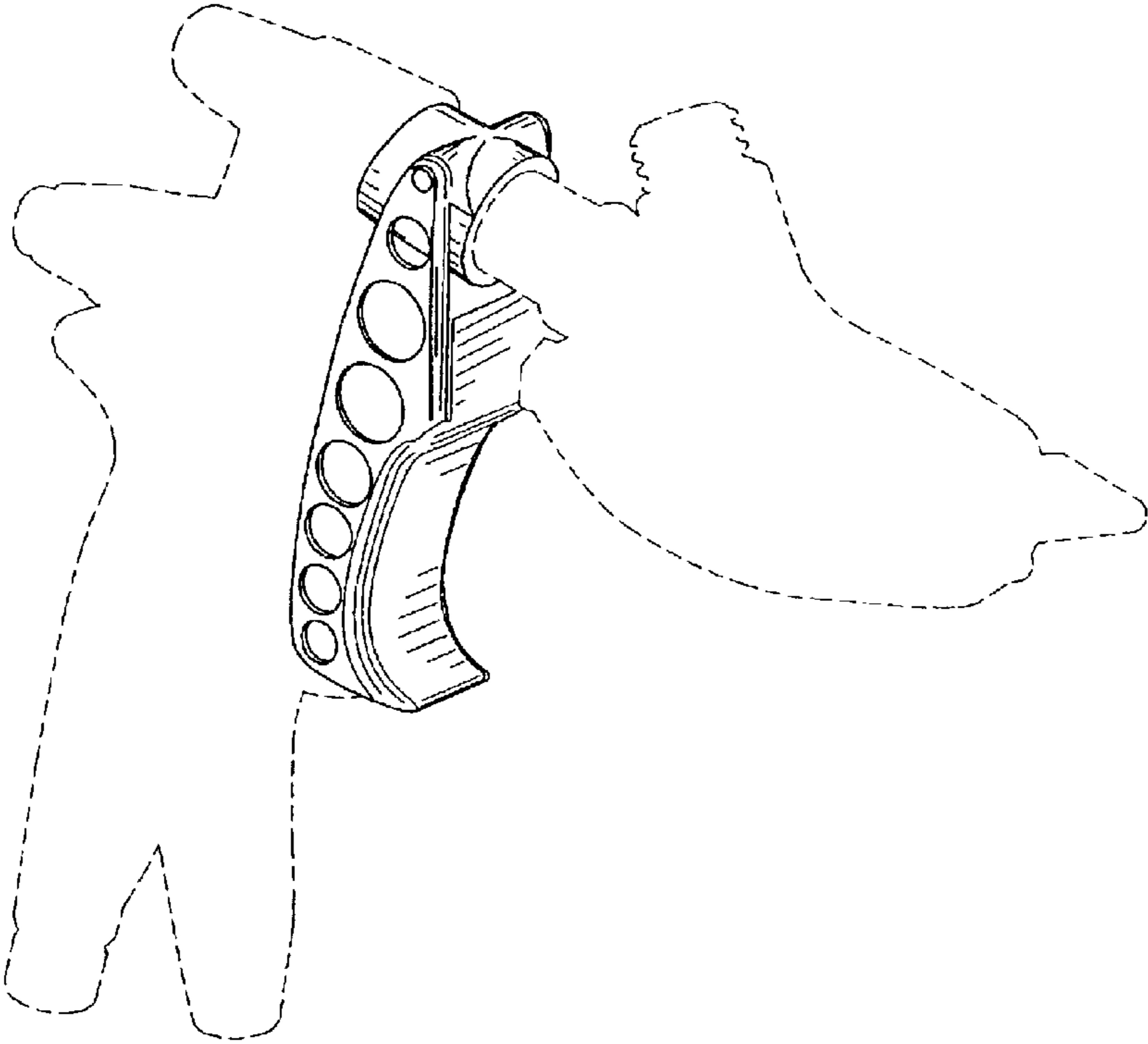


FIG.1

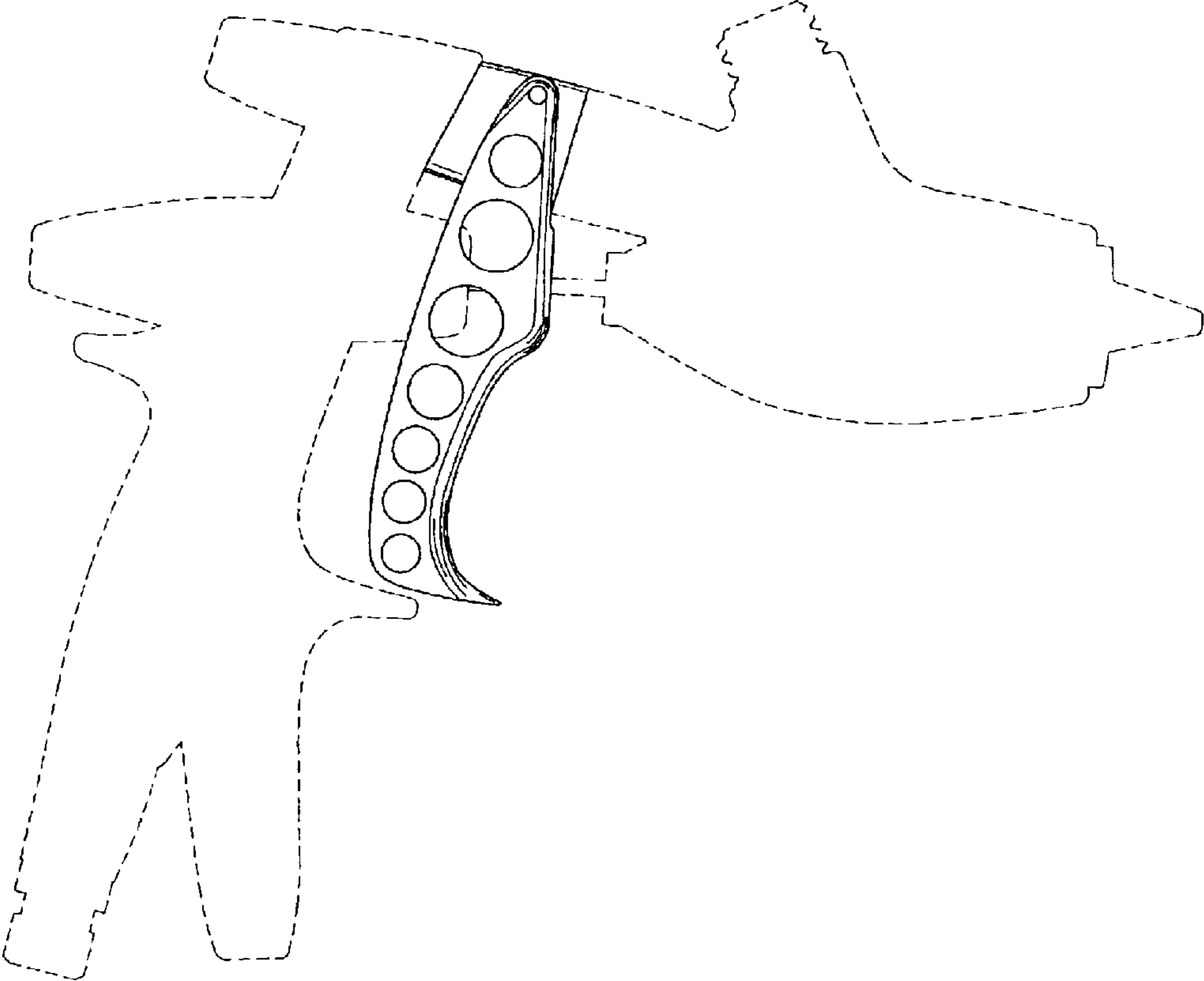


FIG. 2

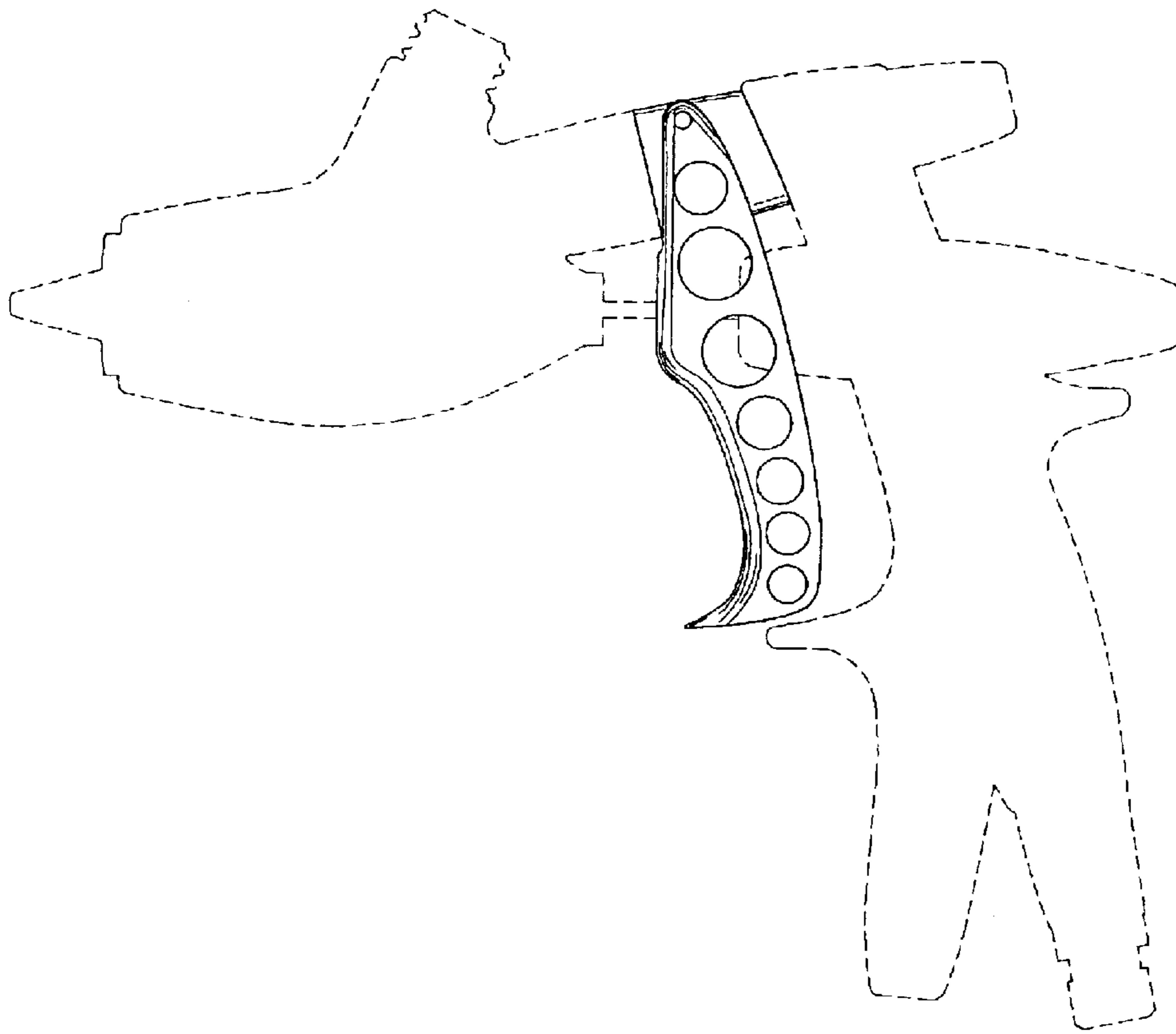


FIG. 3

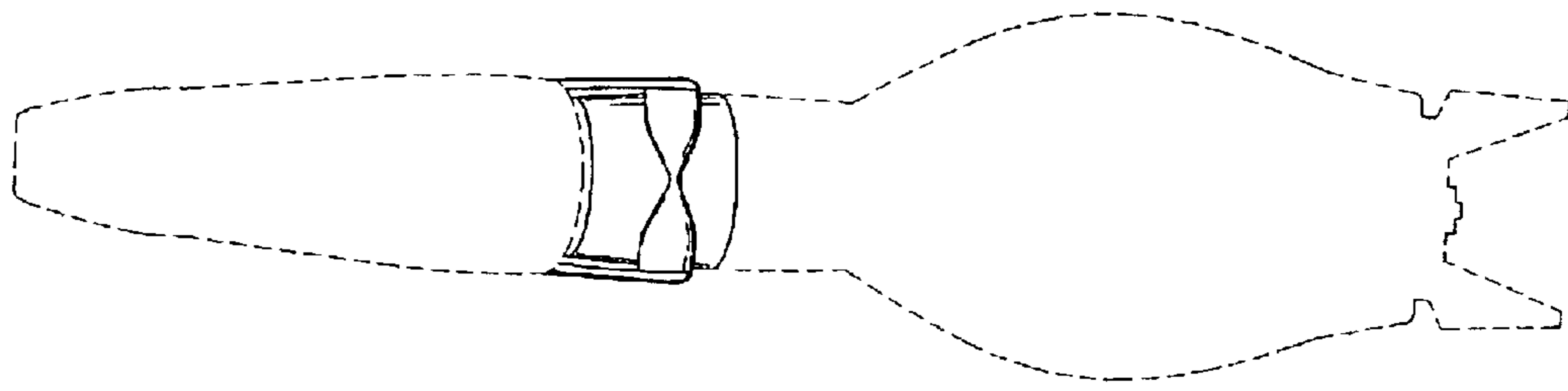


FIG. 4

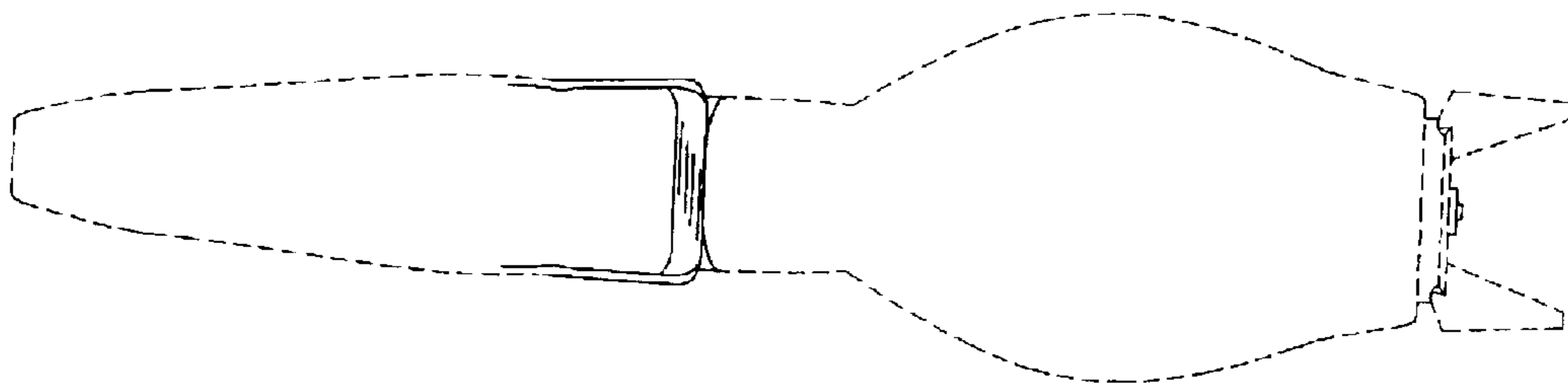


FIG. 5

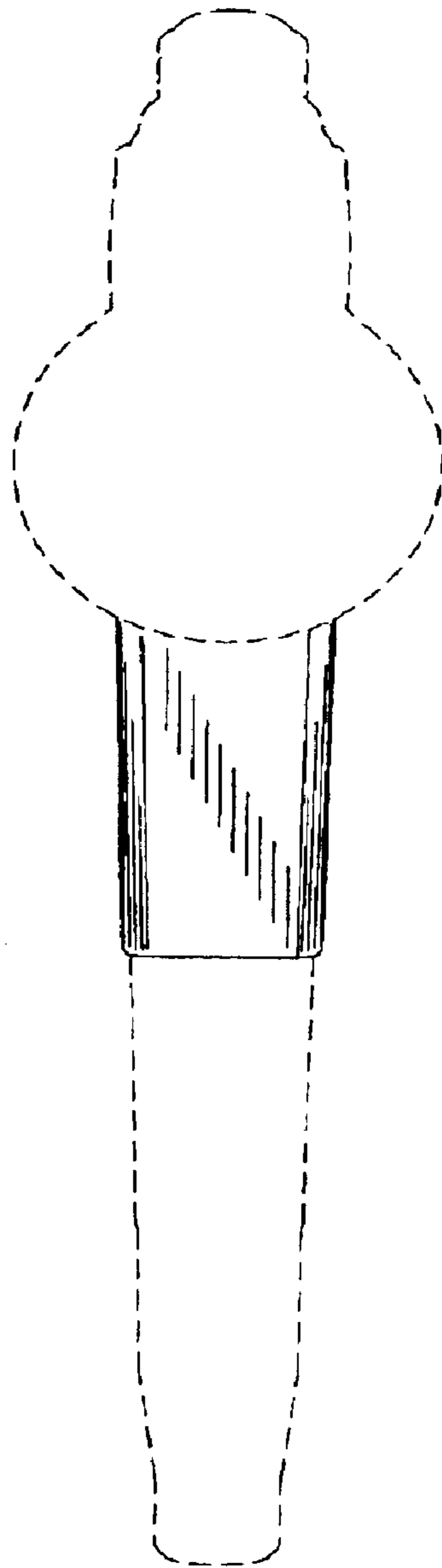


FIG. 6

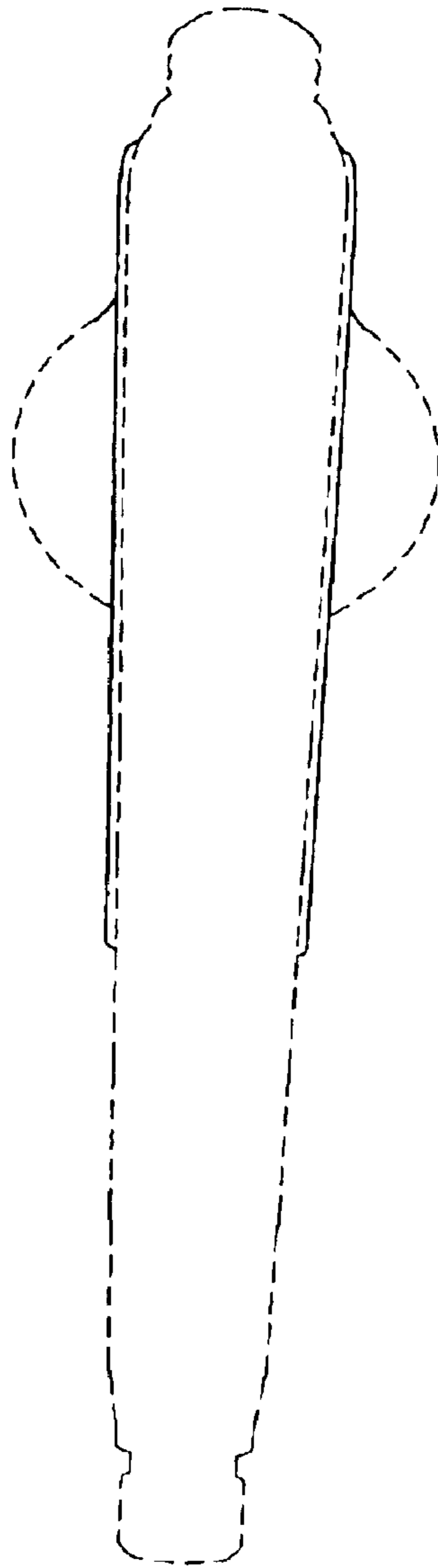


FIG. 7