

US00D505057S

(12) **United States Design Patent**
Ralph

(10) **Patent No.:** **US D505,057 S**

(45) **Date of Patent:** **** May 17, 2005**

(54) **FOLDING KNIFE**

(75) **Inventor:** **Darryl Ralph**, Galena, OH (US)

(73) **Assignee:** **Taylor Cutlery, L.L.C.**, Kingsport, TN (US)

(**) **Term:** **14 Years**

(21) **Appl. No.:** **29/208,375**

(22) **Filed:** **Jun. 29, 2004**

(51) **LOC (7) Cl.** **08-03**

(52) **U.S. Cl.** **D8/99**

(58) **Field of Search** D8/98, 99, 100,
D8/107; D22/118; 30/153, 155, 154, 156,
157, 158, 159, 160, 161, 162

(56) **References Cited**

U.S. PATENT DOCUMENTS

D270,655	S	*	9/1983	Collins	D22/118
D302,649	S	*	8/1989	Porsche et al.	D8/99
D302,650	S	*	8/1989	Giordano	D8/99
D367,599	S	*	3/1996	Sakai	D8/99
D411,091	S	*	6/1999	Halligan	D8/99
D414,671	S	*	10/1999	Halligan	D8/99
D427,043	S	*	6/2000	Cheng	D8/99
D429,986	S	*	8/2000	Cheng	D8/99
6,101,722	A	*	8/2000	Cheng	30/155
6,101,724	A	*	8/2000	Halligan	
6,105,255	A	*	8/2000	Cheng	30/161
D433,914	S	*	11/2000	Chu	D8/99
6,276,063	B1		8/2001	Chen	
D467,783	S		12/2002	Onion	
D492,568	S	*	7/2004	Allen	D8/99
2002/0059730	A1		5/2002	Flavigny	
2002/0157260	A1	*	10/2002	Cheng	30/161
2004/0088865	A1		5/2004	Onion	

* cited by examiner

Primary Examiner—Philip S. Hyder

(74) *Attorney, Agent, or Firm*—Stevens, Davis, Miller & Mosher, LLP

(57) **CLAIM**

The ornamental design for a folding knife, as shown and described.

DESCRIPTION

FIG. 1 is side view of a folding knife according to the invention having the blade folded into the handle;

FIG. 2 is a top view of the folding knife illustrated in FIG. 1;

FIG. 3 is an opposite side view of the folding knife illustrated in FIG. 1;

FIG. 4 is a bottom view of the folding knife illustrated in FIG. 1;

FIG. 5 is a right-side end view of the folding knife illustrated in FIG. 1;

FIG. 6 is a left-side end view of the folding knife illustrated in FIG. 1;

FIG. 7 is another side view of the folding knife illustrated in FIG. 1 having the blade in the extended position;

FIG. 8 is a bottom view of the folding knife illustrated in FIG. 7;

FIG. 9 is an opposite side view of the folding knife illustrated in FIG. 7;

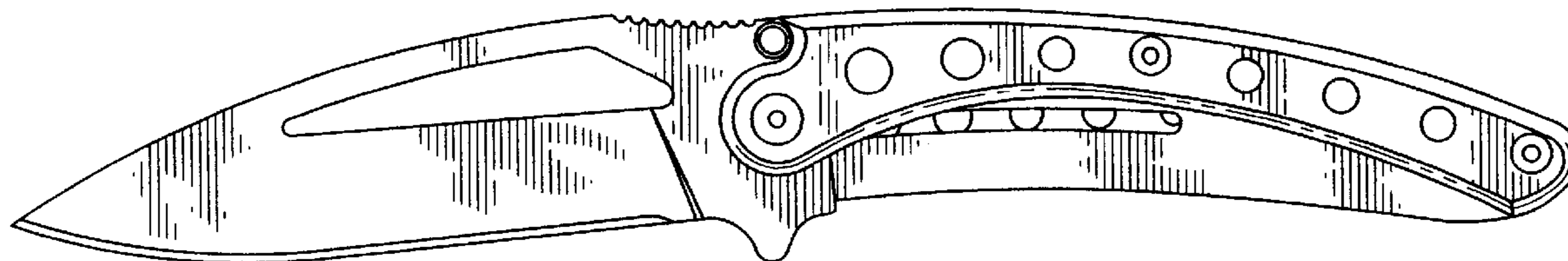
FIG. 10 is a top view of the folding knife illustrated in FIG. 7;

FIG. 11 is a left-side view of the folding knife illustrated in FIG. 7;

FIG. 12 is a left-side view of the folding knife illustrated in FIG. 9; and,

FIG. 13 is a close-up view of the pivot point of the folding knife illustrated in FIG. 8.

1 Claim, 2 Drawing Sheets



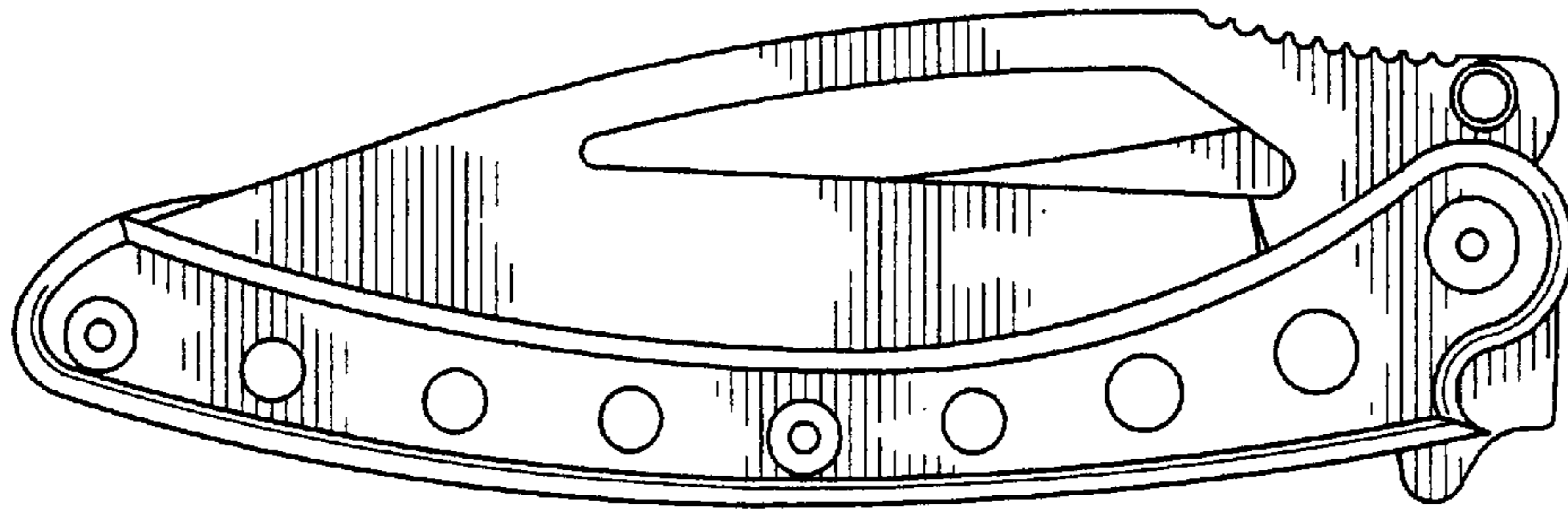


FIG. 1

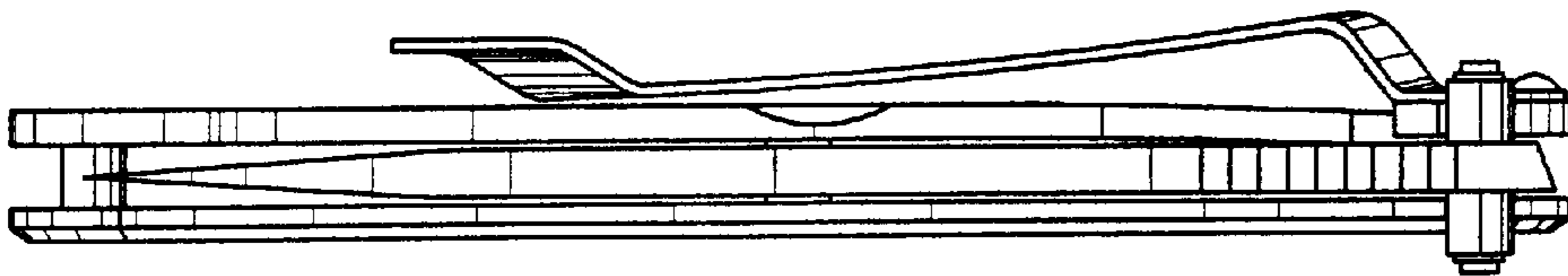


FIG. 2

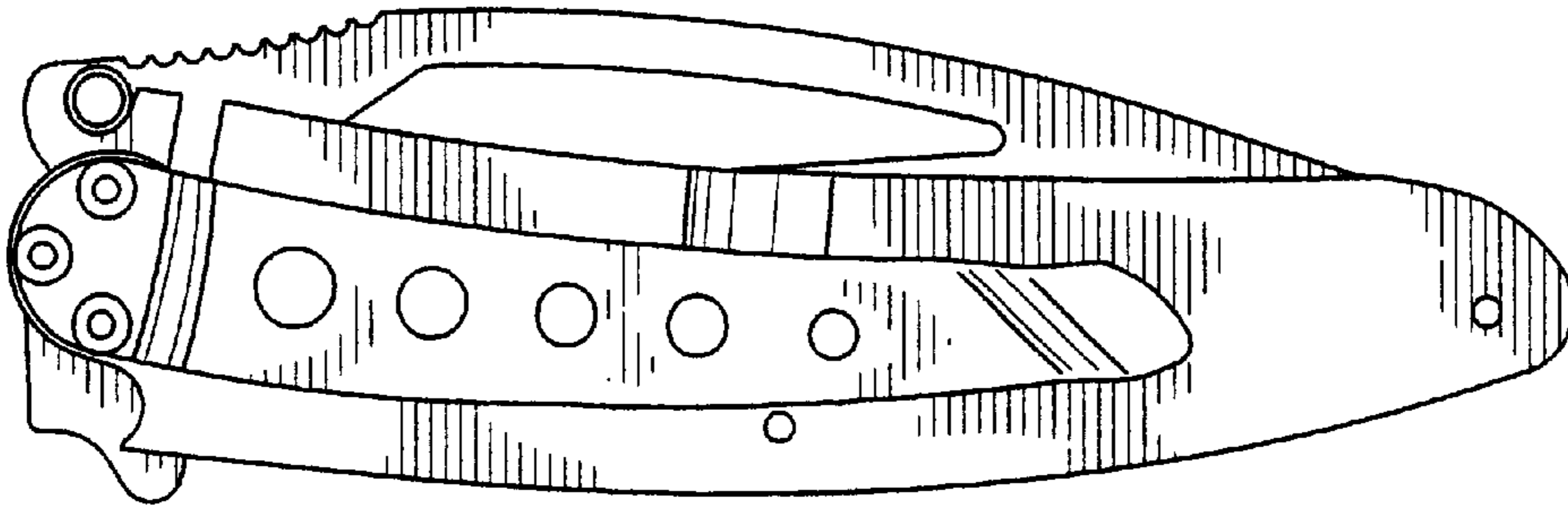


FIG. 3

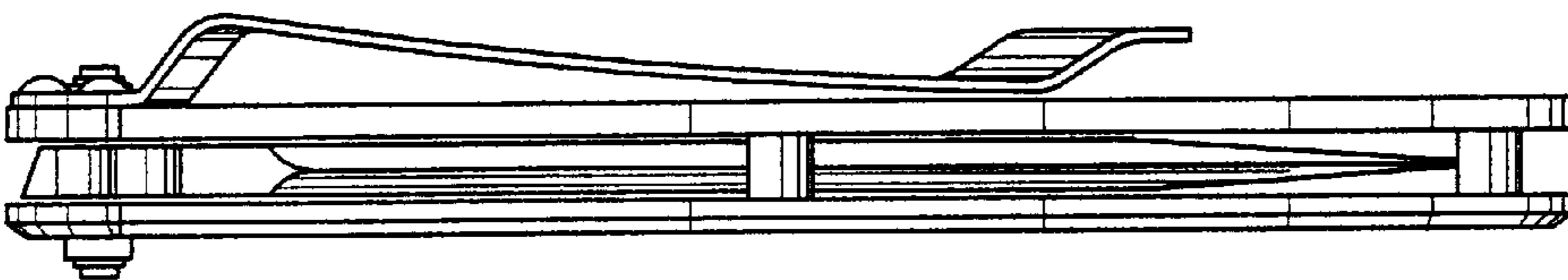


FIG. 4

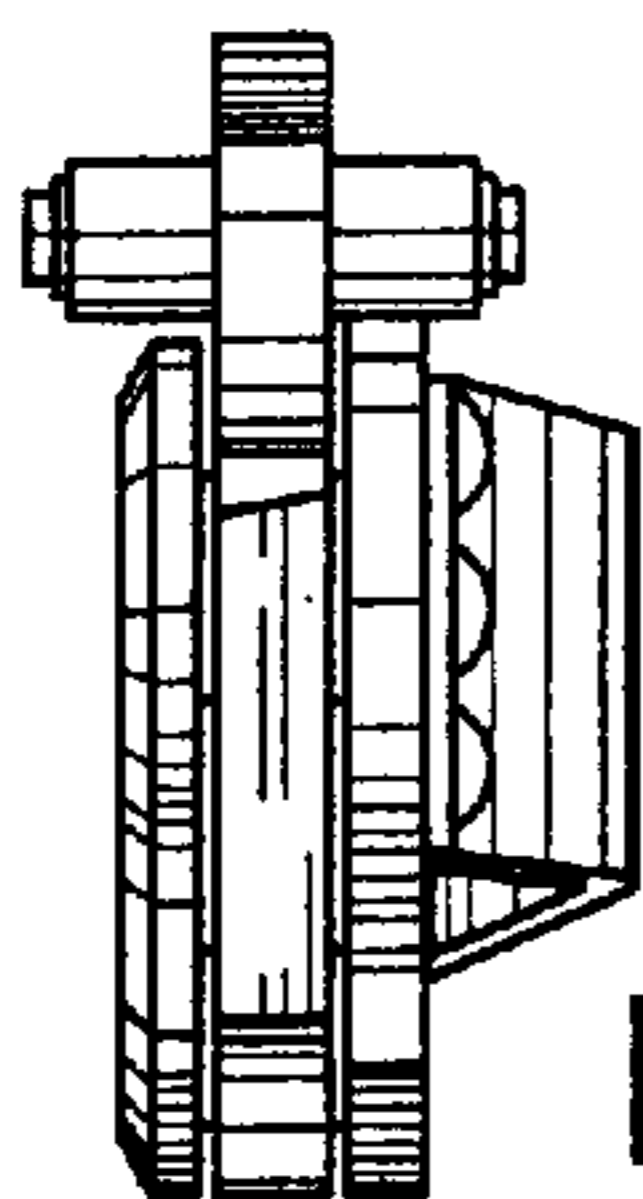


FIG. 5

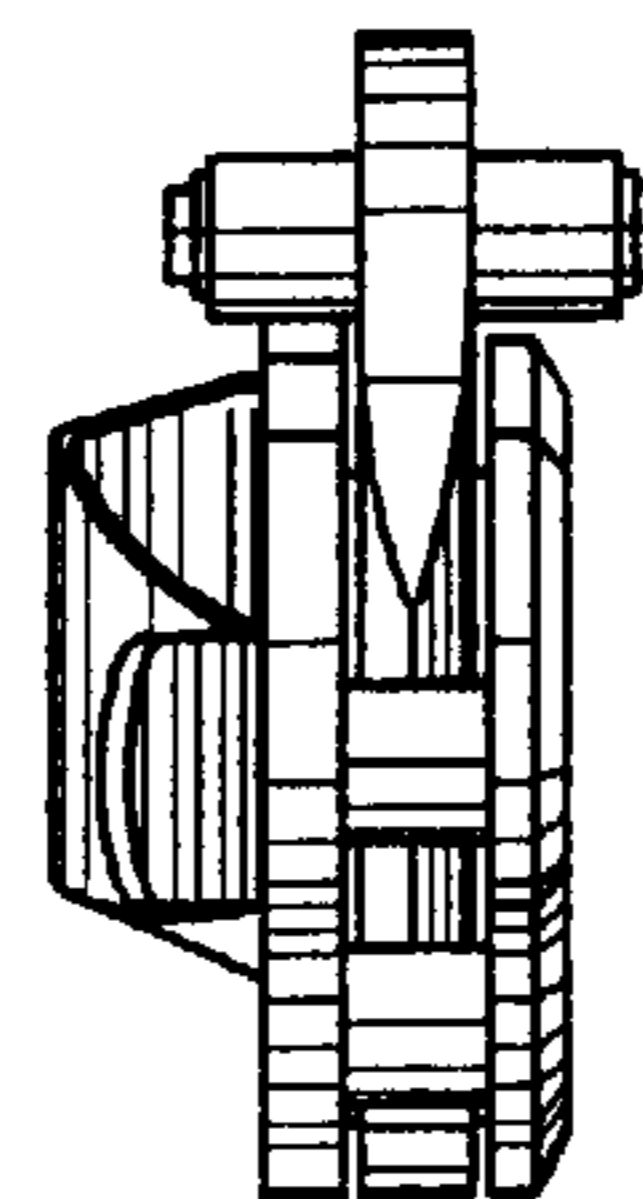


FIG. 6

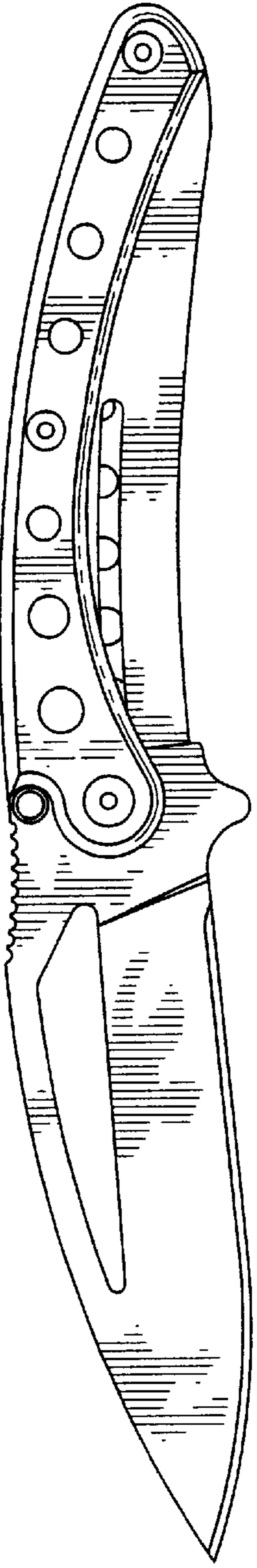


FIG. 7

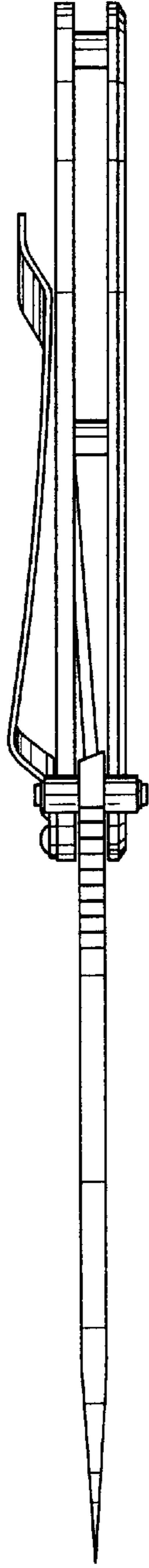


FIG. 8

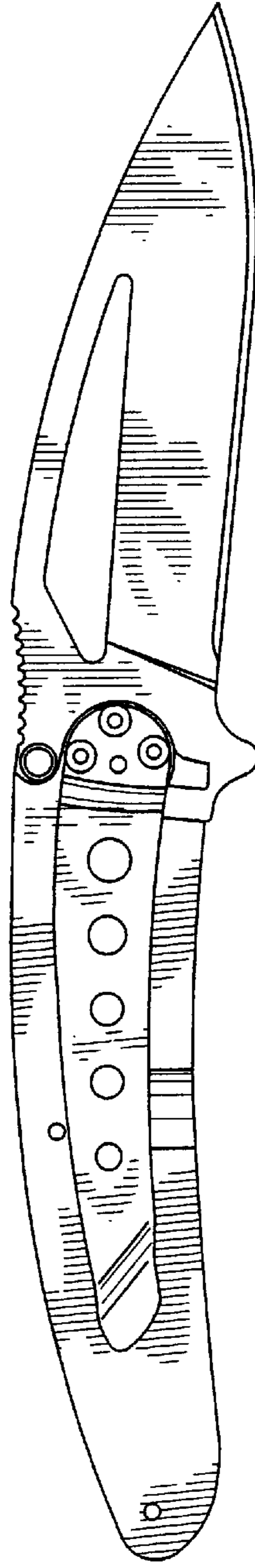


FIG. 9

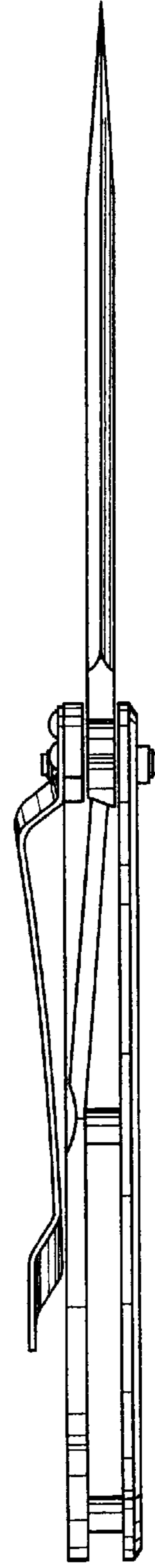


FIG. 10

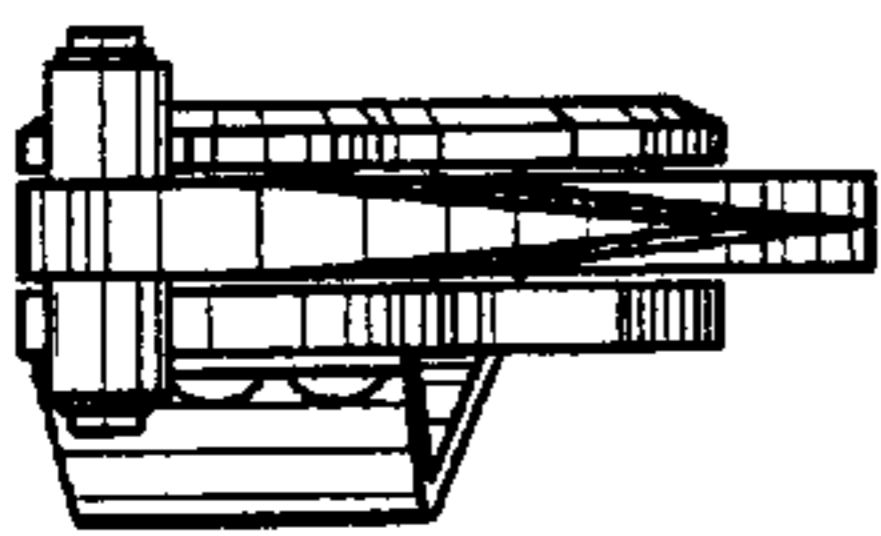


FIG. 11

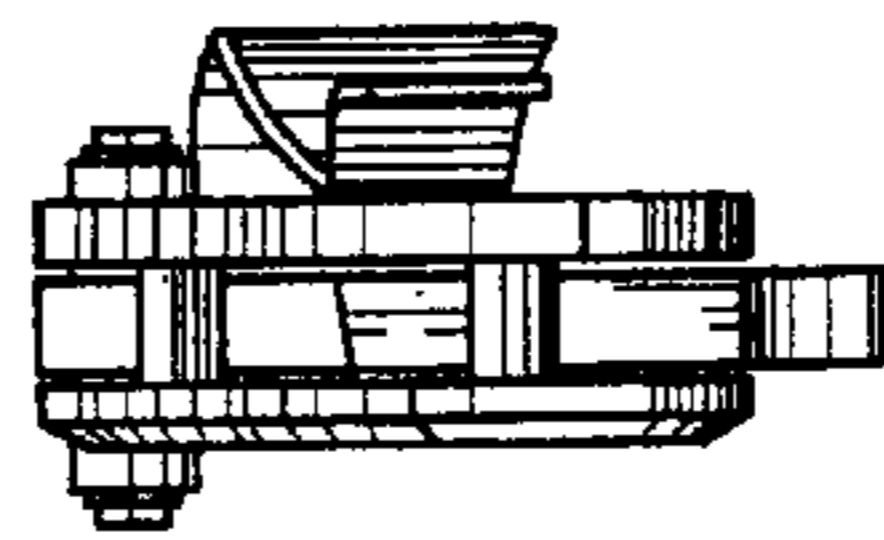


FIG. 12

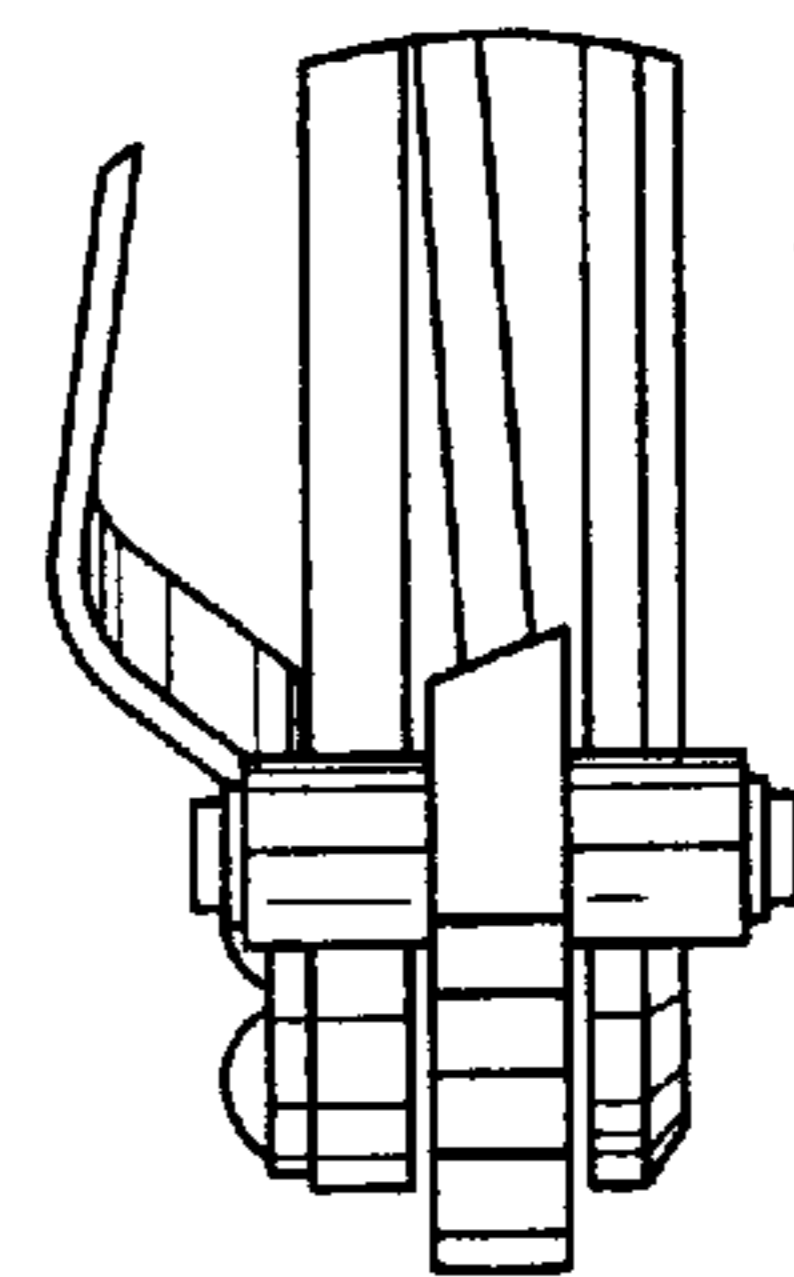


FIG. 13

UNITED STATES PATENT AND TRADEMARK OFFICE
CERTIFICATE OF CORRECTION

PATENT NO. : Des. 505,057 S
APPLICATION NO. : 29/208375
DATED : May 17, 2005
INVENTOR(S) : Darrel Ralph

Page 1 of 1

It is certified that error appears in the above-identified patent and that said Letters Patent is hereby corrected as shown below:

On the cover page at Section (75), The spelling of the inventor's name "Darryl Ralph" is to be corrected to read --Darrel Ralph--.

Signed and Sealed this

Sixteenth Day of October, 2007

A handwritten signature in black ink on a light gray dotted background. The signature reads "Jon W. Dudas" in a cursive style.

JON W. DUDAS

Director of the United States Patent and Trademark Office