

US00D505050S

(12) **United States Design Patent** (10) **Patent No.:** **US D505,050 S**
Johnson et al. (45) **Date of Patent:** **** May 17, 2005**

(54) **BOBBER-SHAPED COOLER**

(75) Inventors: **Howard Johnson**, Olney, MT (US);
Julie Johnson, Olney, MT (US); **James Adams, Jr.**, Whitefish, MT (US);
Marthella Adams, Whitefish, MT (US)

(73) Assignee: **Locan Properties LP**, Columbia Falls, MT (US)

(**) Term: **14 Years**

(21) Appl. No.: **29/198,171**

(22) Filed: **Jan. 26, 2004**

(51) **LOC (7) Cl.** **07-01**

(52) **U.S. Cl.** **D7/606; D7/604; D7/628**

(58) **Field of Search** D7/603-608, 628;
D22/146; D9/600, 668; 43/43.1, 43.11,
44.95, 44.91-44.92; 220/592.25, 592.27,
915.1, 915.2; 62/457.1-457.9, 371, 372

D354,639 S 1/1995 Stoddard et al.
D354,641 S 1/1995 Stoddard et al.
D355,334 S 2/1995 Minor
D355,995 S 3/1995 Stoddard et al.
D357,386 S 4/1995 Jones
D359,886 S 7/1995 Plessas et al.
D409,050 S 5/1999 Anderson et al.
D416,770 S 11/1999 Thorpe
D418,022 S 12/1999 Hansen
D419,387 S 1/2000 Hansen
D419,388 S 1/2000 Hansen
D419,389 S 1/2000 Hansen
D420,552 S 2/2000 Hansen
D420,861 S 4/2000 Hansen
D422,847 S 4/2000 Hansen
D423,296 S 4/2000 Hansen
D423,297 S 4/2000 Hansen
D423,298 S 4/2000 Hansen
D423,882 S 5/2000 Hansen
D423,883 S 5/2000 Hansen
D431,977 S 10/2000 Borges
D432,369 S 10/2000 Borges
D434,607 S 12/2000 Hansen
D439,115 S 3/2001 Bidwell
D452,120 S 12/2001 Brangle et al.

(56) **References Cited**

U.S. PATENT DOCUMENTS

2,758,410 A * 8/1956 Cowsert D22/146
2,876,581 A * 3/1959 Schmidt 43/44.95
3,032,913 A * 5/1962 Voll 43/44.91
3,142,930 A * 8/1964 Lambach 43/44.95
3,168,790 A * 2/1965 Creasey 43/43.11
D218,349 S 8/1970 Feeney
D253,988 S 1/1980 Eagar
D262,711 S 1/1982 Cox et al.
4,320,856 A 3/1982 Stewart et al.
D271,173 S 11/1983 Keshishian
4,566,292 A 1/1986 Parmet
D283,009 S 3/1986 Jennette
D289,598 S 5/1987 Parmet
D291,524 S 8/1987 Yanniell et al.
4,817,327 A * 4/1989 DeKay 43/43.1
D349,008 S 7/1994 Minor
D349,629 S 8/1994 Redmon
D349,630 S 8/1994 Redmon
D349,631 S 8/1994 Redmon

* cited by examiner

Primary Examiner—Terry A. Wallace
(74) *Attorney, Agent, or Firm*—Dowrey Rickards PLLC

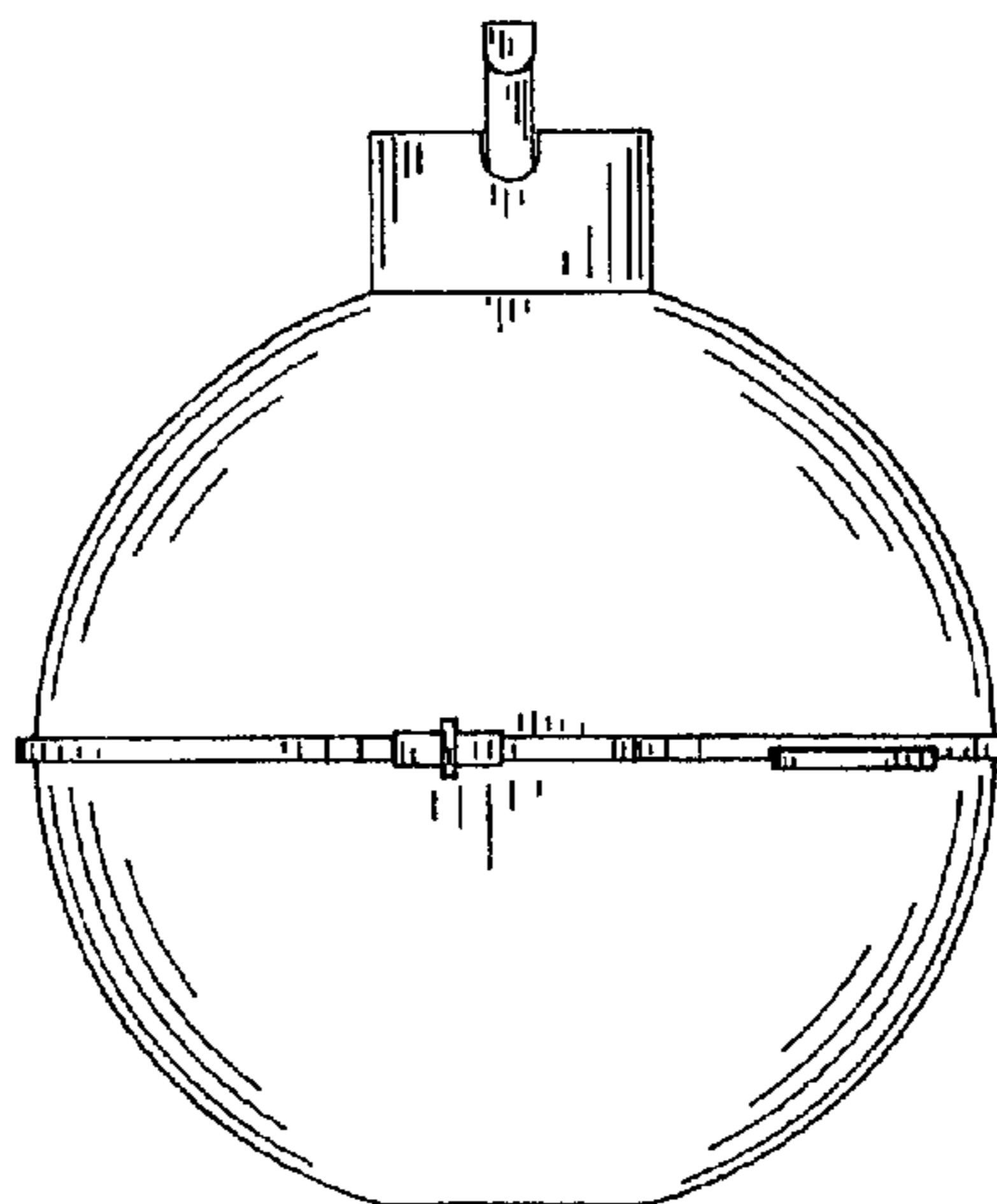
(57) **CLAIM**

The ornamental design for a bobber-shaped cooler, as shown and described.

DESCRIPTION

FIG. 1 is a front elevational view of the bobber-shaped cooler of the present invention;
FIG. 2 is a side elevational view thereof;
FIG. 3 is top plan view thereof;
FIG. 4 is an inverse side elevational view thereof;
FIG. 5 is a rear elevational view thereof; and,
FIG. 6 is bottom plan view thereof.

1 Claim, 2 Drawing Sheets



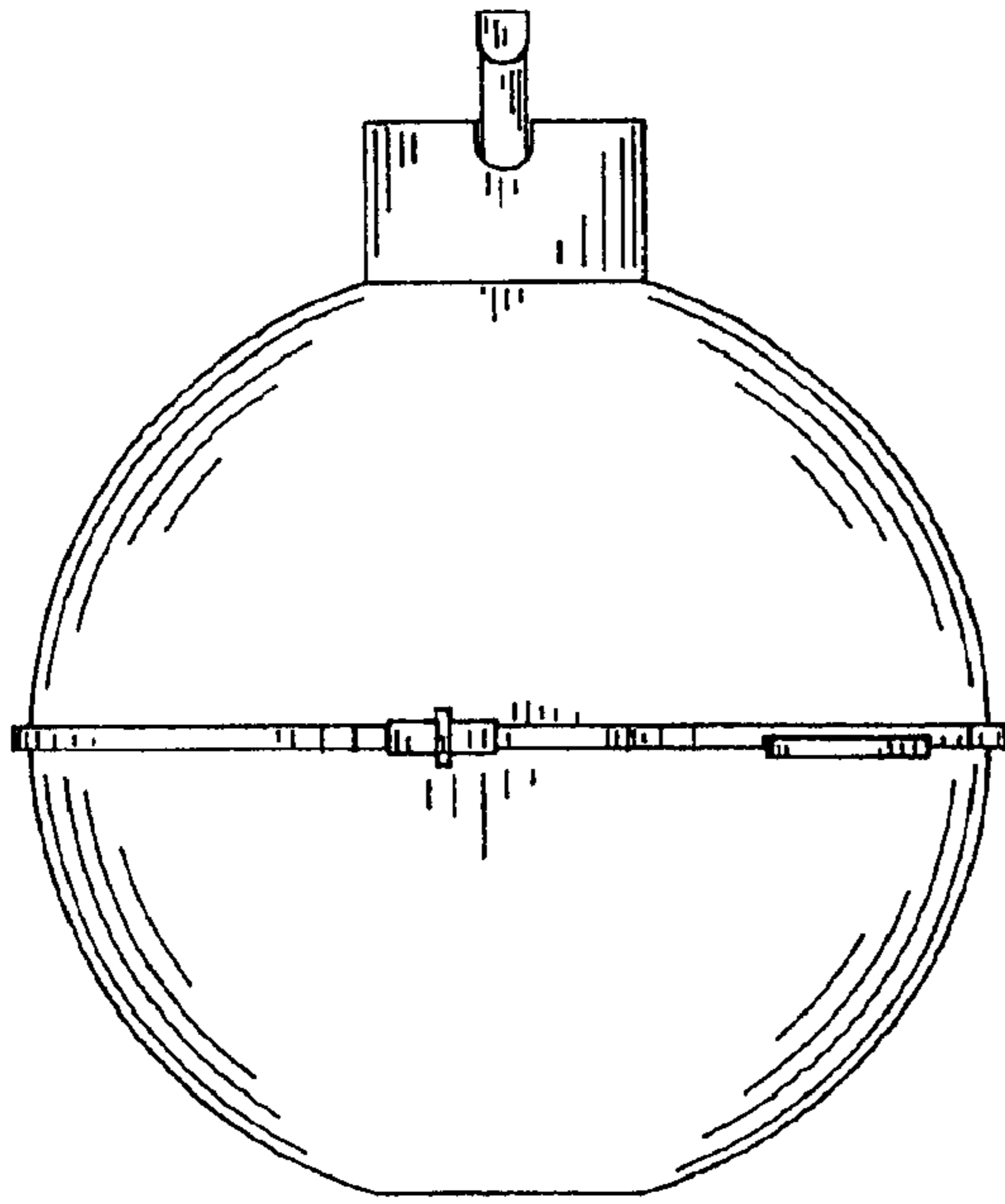


FIG. 1

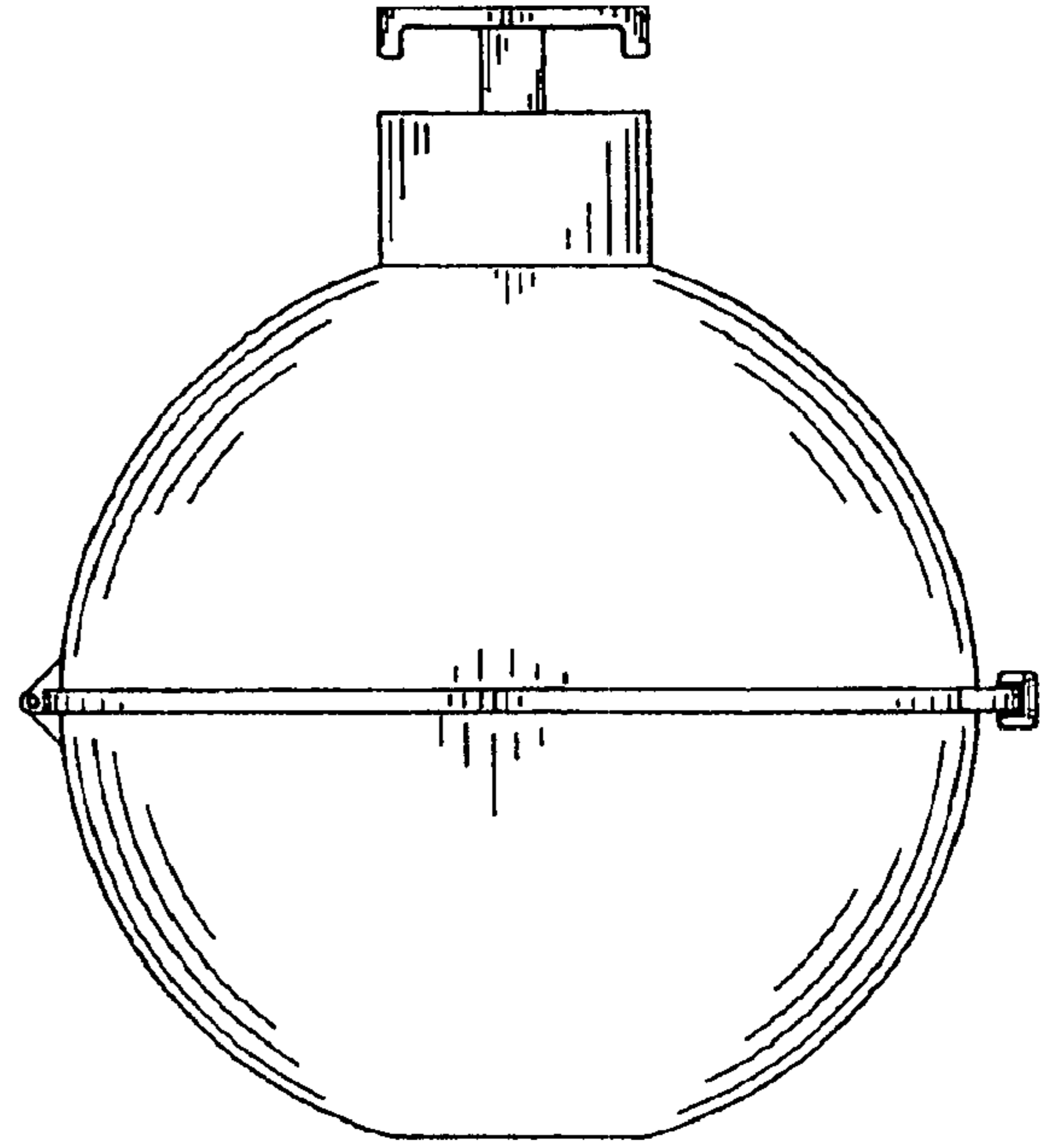


FIG. 2

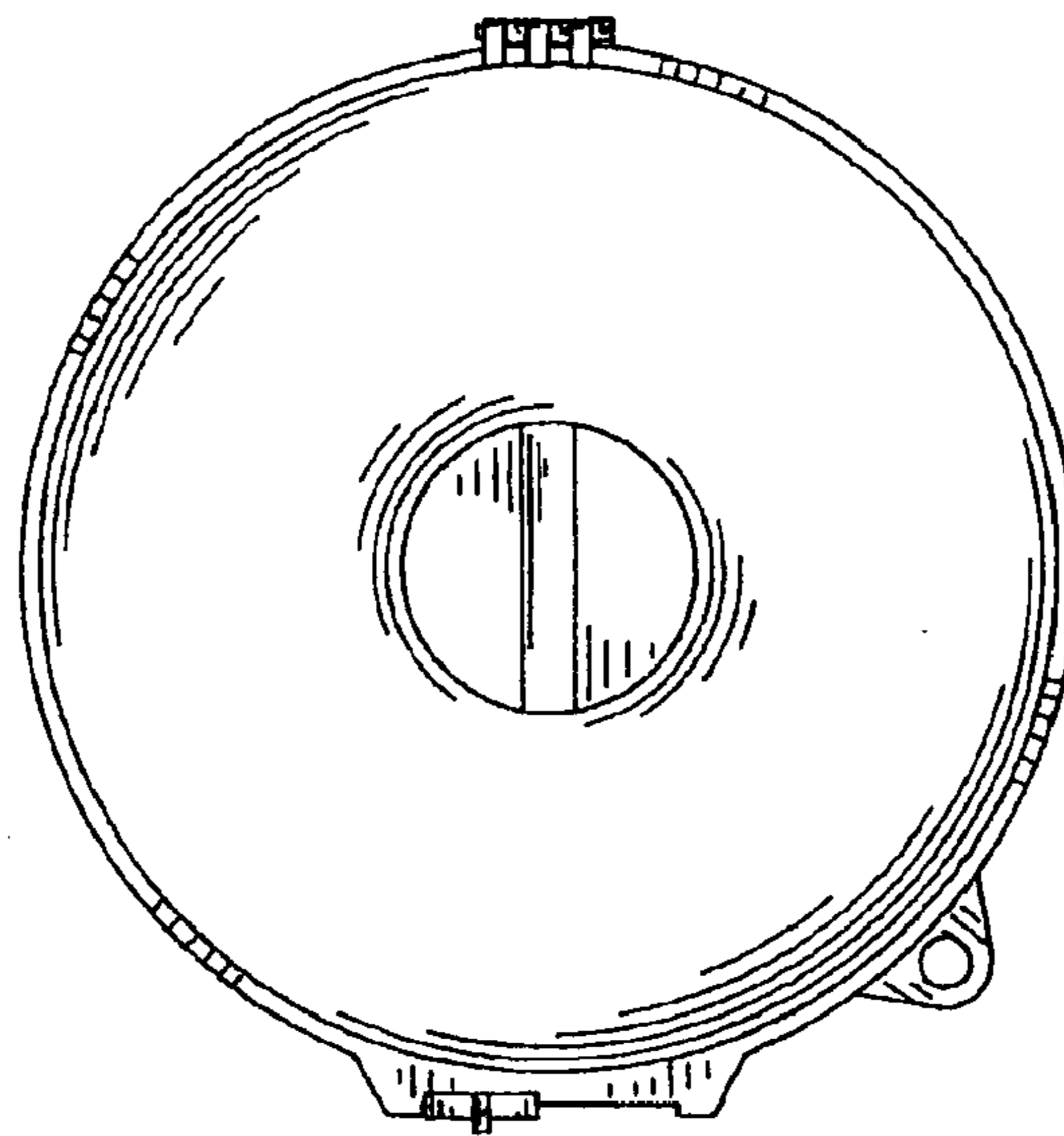


FIG. 3

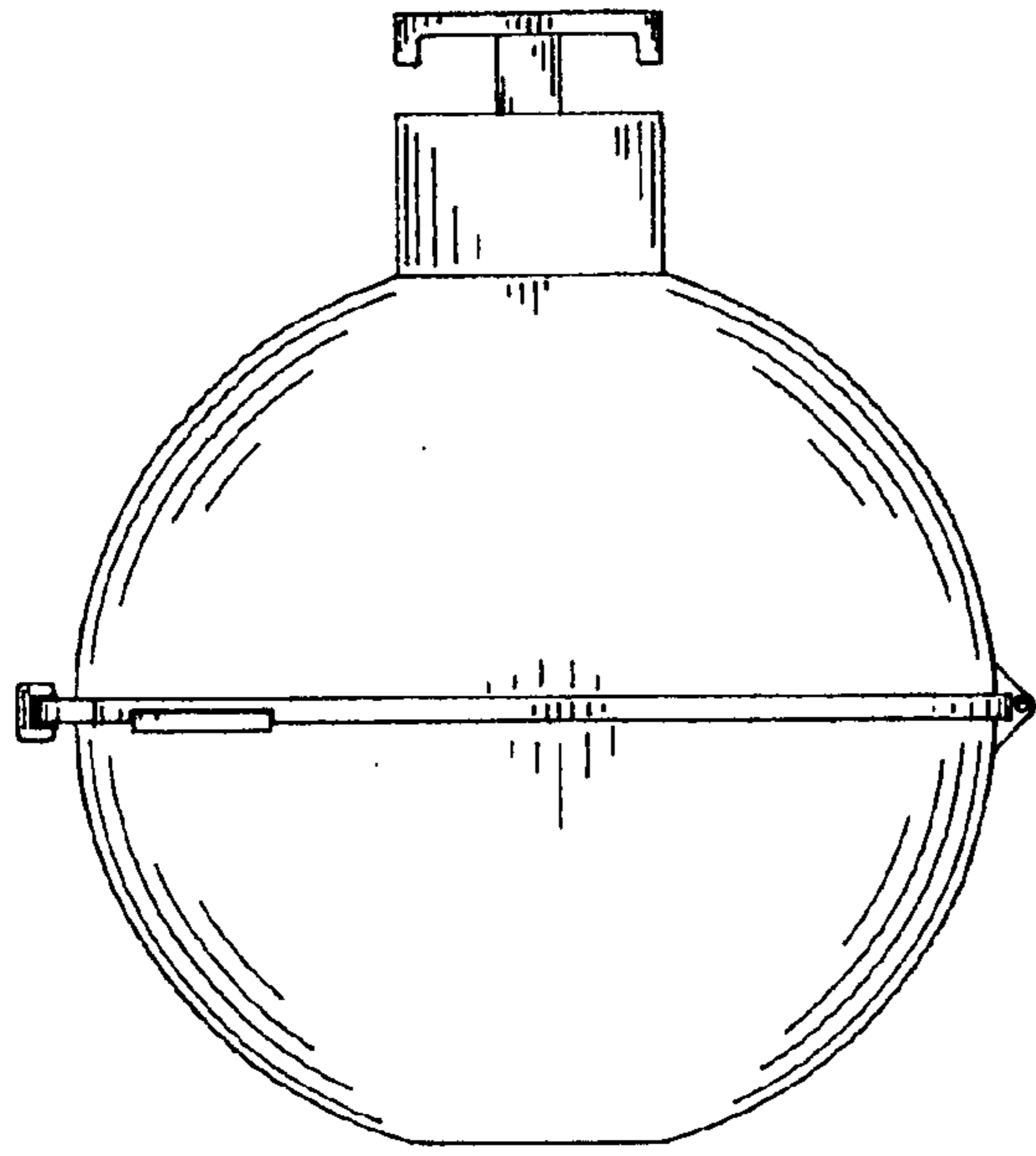


FIG. 4

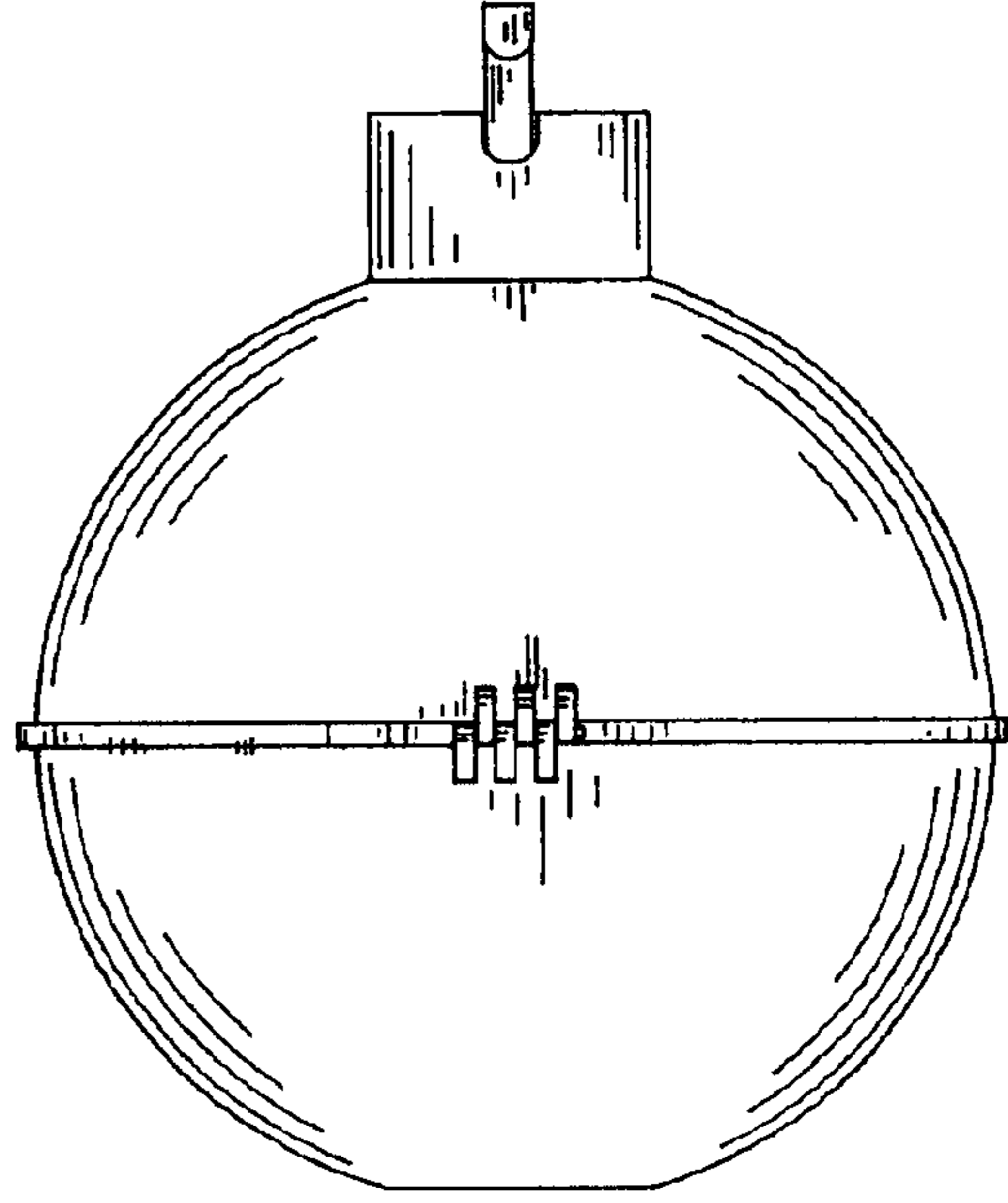


FIG. 5

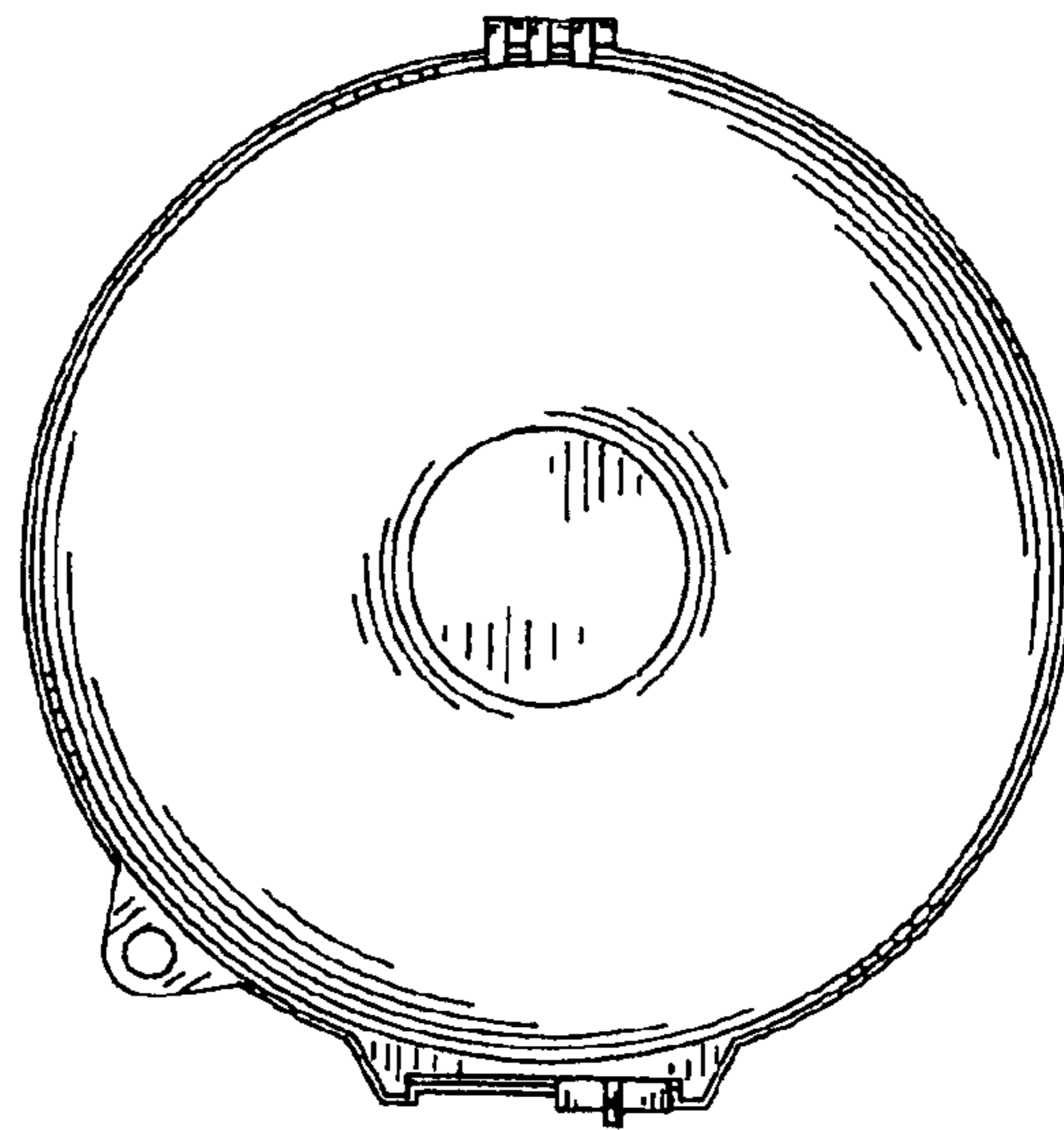


FIG. 6